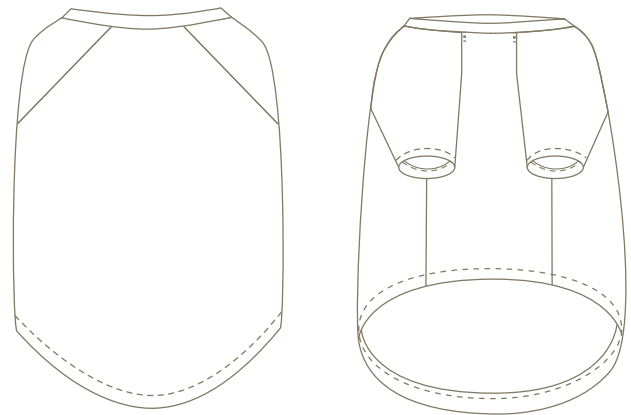


Basic Raglan T-shirt

Dog wear pattern recipe:PT032

milla milla

<http://www.millamilla.net/>



MOVIE Manual

We prepared the how to make the Basic raglan sleeve T-shirt by video.

Please access from the following site and watch.

We recommend watching by the broadband environment.

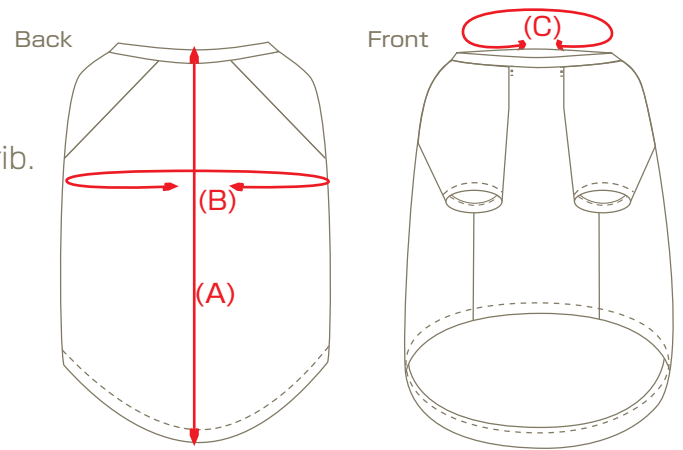
<http://movie.millamilla.jp/PT032/>

User Name:PT032 Password:

INDEX	01	Material	Page.1
	02	Preparation	1
	03	Make sleeves	2
	04	Sew side seam	3
	05	Sew sleeves on body	4
	06	Make neck rib and sew	4
	07	Sew hem	5

01 Material

- ☆ Fabric 1: Knit fabric (T-shirt fabric).
Used for body and sleeves.
- ☆ Fabric 2: Knit fabric (Rib fabric). Used for neck rib.
- ☆ Thread: Use and all purpose thread, polyester or cotton wrapped polyester.



Finished size

Necessary quantity

	Back Length (A)	Chest (B)	Neck (C)	Rough standard weight (kg)	Fabric 1 A x B	Fabric 2 A x B
3S	19.5	31	16	1.5~2	25X90	10X90
SS	23.5	35	19	~3	30X90	10X90
S	25.5	40	22	~4	40X90	10X90
M	30.5	47	26	~6	55X90	10X90
L	35.5	53	30	~8	65X90	15X90
2L	41.5	59	35	~12	85X90	15X90
3L	48.5	64	37	~15	100X90	15X90
4L	58.5	75	39	~25	115X90	20X90
5L	68	85	42.5	~30	175X90	20X90
6L	70	95	46.5	~35	185X90	20X90
7L	76	105	50.5	~40	210X90	20X90
8L	84	115	53	~45	270X90	20X90
DS	31	40	22	3~4	50X90	10X90
DM	34	49	26	~6	60X90	10X90
FB	30	58	31	around 11kg	70X90	20X90

(Unit: cm)

02 Preparation

- ① Cut out the pattern, calculate how much fabric you need.
* The pattern involve 1cm seam allowances.
- ② Prepare fabric, if needed, please wash the fabric.
- ③ Place the pattern and cut out the fabric carefully (red line).

Make notch (cut about 3mm)



* Note

The "necessary quantity" is measured placing patterns without considering the top and bottom.

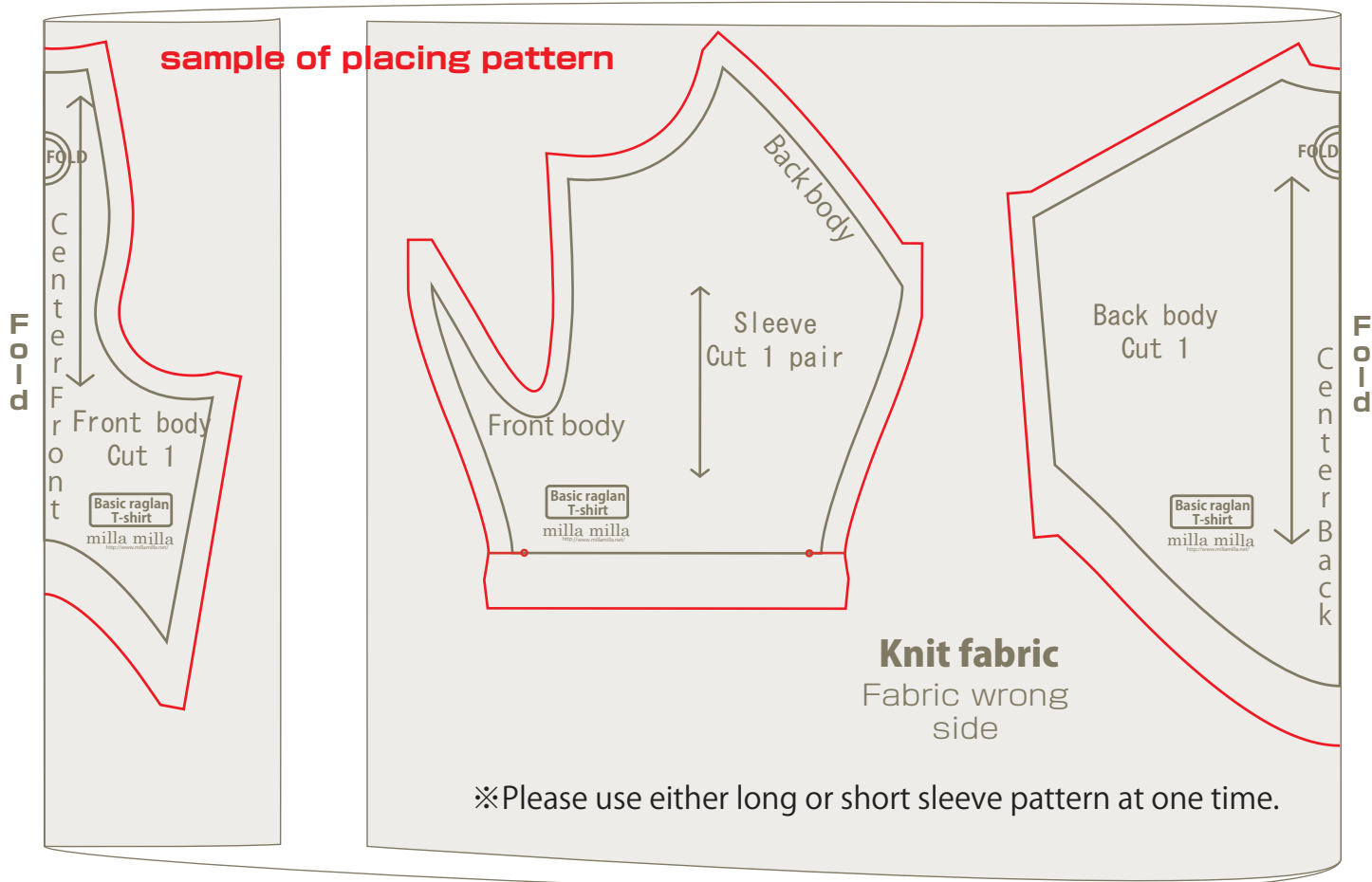
If the fabric has direction, please place the pattern and measure the length of the fabric you need before you buy.

* The table is written as A x B (see diagram on left)

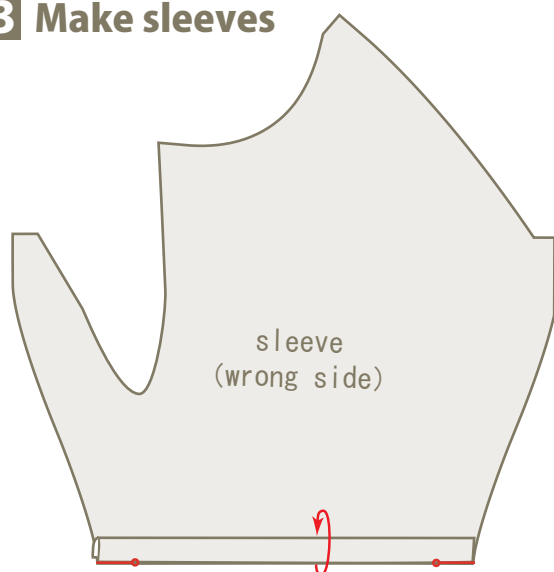
* Purchase some extra fabric, because most cotton shrink to some degree.

Wash the fabric in the same manner you intend to use for the finished garment.

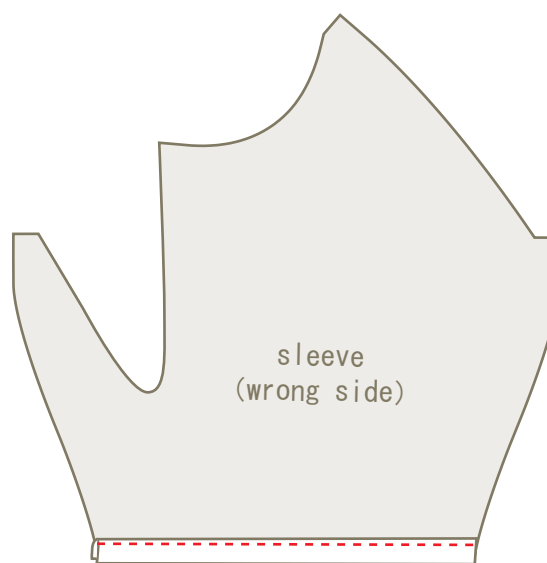
This will preshrink the fabric and remove the surface finish which will make it easier to sew.



03 Make sleeves



① Fold the sleeve hem twice 1cm each) and iron.



② Top stitch about 8mm from the edge.