

# waykar

## Home Dehumidifier

Please read the manual carefully  
before using the unit

**PD 100A**

USER MANUAL

## FOR CUSTOMERS

Thank you for purchasing our dehumidifier.

**Waykar** wishes that our products and services can bring convenience to your work and life. We highly recommend that you keep the manual for reference if you encounter unexpected events using the unit.

Please read the manual carefully to ensure proper use of the dehumidifier. Our dehumidifiers are widely used in family bedrooms, bathrooms, basements, offices and storage rooms, etc.

The dehumidifiers from **Waykar** provide quick and efficient operation to reduce room's humidity and bring you a healthy and comfortable life.

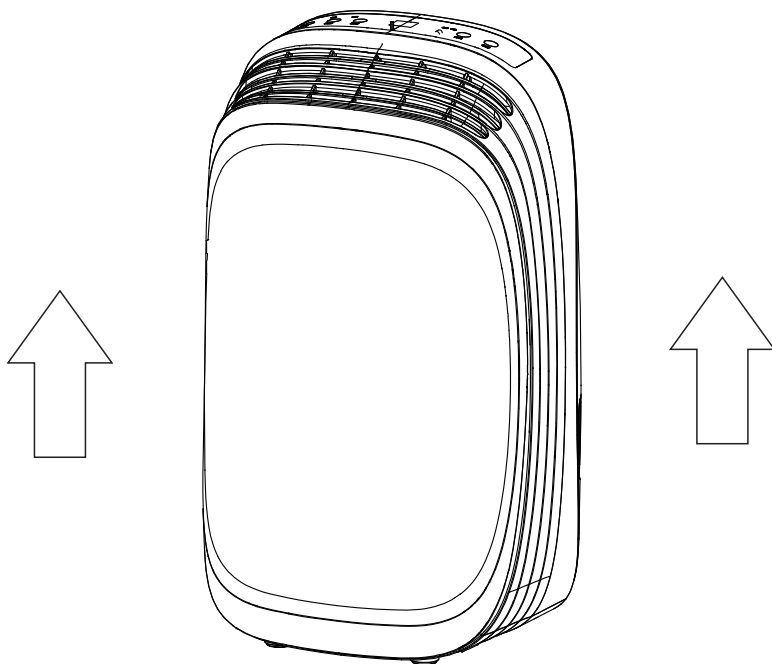
## TO ACCESS CUSTOMER SUPPORT FASTER

If there is any problem of the product, please contact Waykar Customer Service at [support@waykar.com](mailto:support@waykar.com) with your Purchase Order ID to help you address the problem more effectively.

## BEFORE FIRST USE:

To prevent any internal damage, it is very important to keep the unit (like this one) upright throughout its journey.

Please leave it standing as the picture shown below and outside the box for **24 HOURS** before plugging it in.



# TABLE OF CONTENTS

Safety Instructions .....	01
Parts Description.....	02
Control Panel.....	03
Operation Instructions.....	04
Cleaning and Maintenance.....	09
Common Faults and Solutions .....	10
Safety Note.....	13
Technical Parameters.....	14
Warranty and Contact Us.....	15

## Statement

The graphics and functions provided in this manual may not be the same as the actual product. Please always refer to the actual product.

The model of the machine on the manual is for reference only. Please operate the machine based on the actual product.

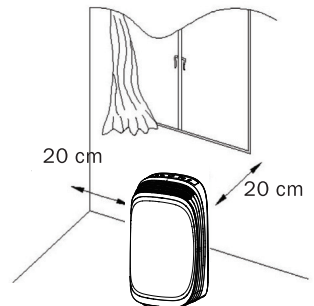
The right to interpret the relevant terms belongs to the company.

# SAFETY INSTRUCTIONS

## Safety Notes:

For your safety, please read the manual carefully and keep the manual before you use the manual for reference. Please use this product according to the instructions of installation and operation of this manual.

- Before cleaning the dehumidifier, turn off the power and unplug it from the power outlet.
- Please do not place the machine near any heat source or flammable goods.
- Do not insert your fingers or sticks into the air inlet or outlet.
- Always keep the machine on even surface, instead of placing on uneven or slopping ground.
- Do not spray water, insecticides or flammable liquids on the unit.
- This machine should not be placed in a confined and narrow space.
- When the power cord is damaged, it must be replaced by the qualified technician approved by our company.
- When using the dry clothes function, the clothes should be kept at least 40cm away from the air to prevent water from entering the outlet and damage the machine.
- The machine power wiring must be in accordance with national wiring rules, and, power line should be connected to the reliable external Earth Line.
- The fixed wiring of the machine connection must be equipped with an all-pole disconnect device (air switch) with at least 0.118-inch distance of electric shock.
- Model specification of safety tube:3.15A
- This appliance can not be used by children aged under 8 years old and persons with reduced physical, sensory or mental capabilities or lack of experience and knowledge unless they have been given supervision or instructions concerning use of the appliance in a safe way and understand the hazards involved. Children shall not play with the appliance. Cleaning and user maintenance shall not be made by children without supervision.
- When using dehumidifier, other objects surrounding the machine need to be kept at least a distance of 7.9 inches (20cm). As shown in the picture on the right:

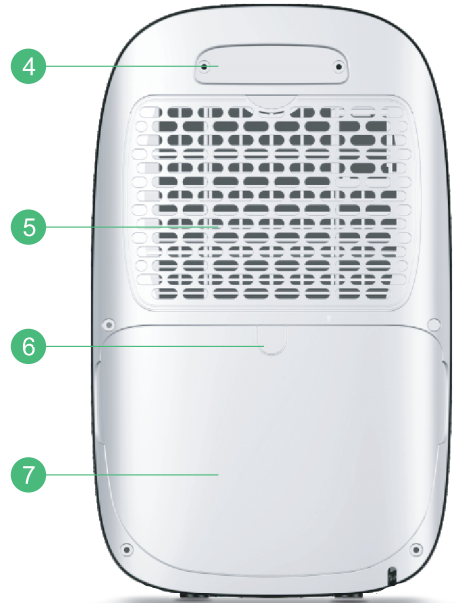


## PARTS DESCRIPTION

Side of the Machine



Back of the Machine

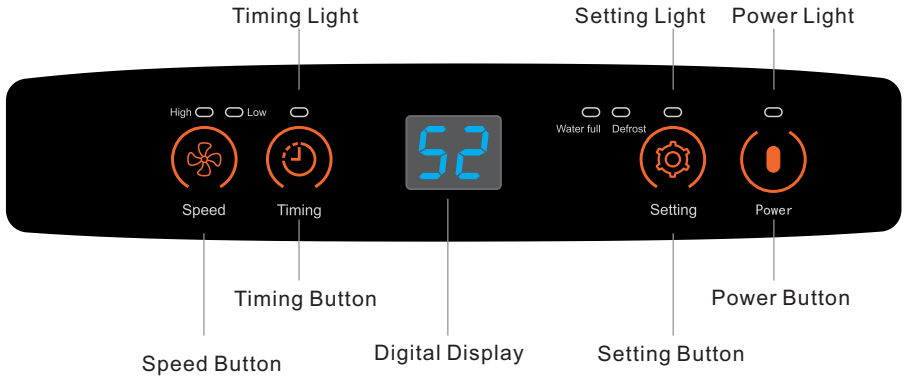


### Product components Description

1. Control Panel 2. Outlet 3. Front Cover 4. Handle  
5. Inlet 6. Continuous Drainage Outlet 7. Water Tank

# CONTROL PANEL

## 1. Control Panel



### Button Description



**Power Button**  
Switch control of the machine



**Speed Button**  
Used for high wind and low wind switching



**Setting Button**  
Used for humidity setting



**Timing button**  
Used for timing checking and setting

# OPERATION INSTRUCTIONS

## 2.Setting

### Setting Humidity

In power on status, press setting button to set the humidity:

- -The setting light will be on, and "52" on the digital screen will flash and show the setting humidity, then you can set the humidity within a range of 30%RH to 80%RH by making the humidity setting increase by 5%RH. Long press the setting button can continuously set the value.
- -If no operation for seconds, it will exit the humidity setting status and the digital display will show the actual room humidity. The setting light will be off.
- -When the humidity level is set at 30%RH, the dehumidifier will work at continuous dehumidifying mode.

### Timer Setting

The timing setting function is designed for you to set a time to turn off or turn on the machine, automatically by the timer.

1. Press the "Timing" button to select the timer by 1-hour increment. You can set the timer up to 24 hours. It will start to do the countdown when you start the timer.
2. If the time is set to 00, this is called the invalid time. If you set the timer successfully, the Timing light "Ⓢ" will be on. The LED screen will show the remaining time if you press the "Timing" button, and display the current humidity automatically after a few seconds.

### Speed Button

Control the fan speed. Press to select either High or Low fan speed. Higher fan speed will result in quicker moisture removal. Set the speed high for maximum moisture removal. When the humidity has been reduced and quiet operation is more preferred, set the fan speed back to Low.



## Ambient Temperature & Humidity Display

In power on status, long press the Timing button for seconds, will display the Ambient Temperature, and turn to the Humidity Value after a few seconds.

## Overflow Protection

When the water tank is full of water, the machine will turn off automatically. The indicator light will flash. After you empty the water from the tank, the indicator light will turn off. The machine will restart to work.

## Auto Defrost Function

When the dehumidifier is running at a lower temperature, the system will automatically determine whether there is a presence of frost. If any frost exists, it will defrost automatically.

Defrost Action: The fan runs at high wind speed when the compressor stops, and the LED screen displays the defrosting symbol.

When defrosting status. the defrosting light "  " will flash.

## Action Description

Power on:

Compressor starts after the fan work for a few seconds.

Power off:

Compressor shuts down at once, and the fan will stop after a few seconds. (When other malfunction occurs, or the humidity reaches desired level, the fan will stop after tens of seconds).

The compressor features "3 minutes delay protection" function— While the dehumidifier is powered, the compressor can only start again three minutes after its last shutdown.

# OPERATION INSTRUCTIONS

## 3. Display Status Description

- The power indicator will be off/on when the machine is powered off/on and flash if the machine is in "delay on" Status.
- When the current humidity reaches the setting value, it will stop dehumidification (just maintain the humidity value), the "52" on digital display and the power light will flash.
- If you set the speed to high speed fan mode, the high speed indicator will be on; if you set the speed to low speed fan mode, the low speed indicator will be on.
- Defrosting light will flash if in defrosting status, and vice versa.
- When the water tank is full of water, the water full indicator light will flash.

## 4. Faults & Processing Methods

Fault Phenomenon	Analysis of Causes	Processing Method
Humidity always shows "25%RH"(There is a big difference from the actual humidity)	Humidity sensor failure?	Set the humidity to 30%RH, the dehumidifier can still continue to work, and can be used normally.
		Repair and replace the humidity sensor.
Humidity always shows "99%RH"(There is a big difference from the actual humidity)	1. Water on the surface of the humidity sensor? 2.Humidity sensor failure?	The dehumidifier is not affected and can continue to work, and can be used normally.
		Please let the dehumidifier keep working for a period of time, after the water on the surface of humidity sensor is removed, it will return to normal.
		Repair and replace the humidity sensor.

If the malfunction is still present, please don't hesitate to contact Waykar Customer Service at [support@waykar.com](mailto:support@waykar.com) for help.

**Note:**

Before starting the machine, please ensure that the air outlet has been opened, otherwise the machine will overheat. Do not pull out the power cord directly to stop the machine.

# OPERATION INSTRUCTIONS

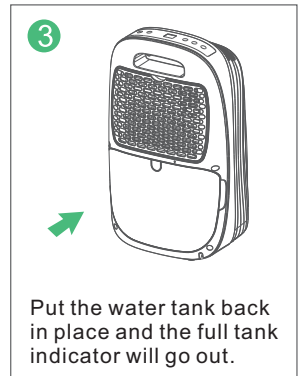
## 5. Empty The Water Tank

### Water Tank Drainage

- Before starting the machine, please ensure that the air outlet has been opened, otherwise the machine will overheat.
- Do not stop by directly unplug the power line.

When the water tank is full, the water full indicator will light up, the dehumidifier will automatically shut down until the tank has been emptied and placed back to the unit.

### Ways to Empty the Water Tank



### Note:

- Do not remove the float from the water tank. If the float in the water tank is removed, the sensor may not be able to determine the water level stored in the tank properly that may lead to water overflow leak from the water tank.
- If the water tank is dirty, just use cold water or warm water to clean it. Do not use detergent, steel wool, chemically treated dust cloth, gasoline, benzene, thinner or other solvents. Otherwise, it may damage the water tank and cause it to leak.
- When placing back the water tank, use your hands to press the tank back in its place. If the water tank is not placed properly, sensors or protections from water overflow may not operate as expected.

## 6. Continuous Drainage

When continuous drainage, use the tools such as knife or plier to remove the plastic cap of continuous drainage port from the water tank, and then insert the hose to realize continuous drainage; the outlet of water hose should be 10cm lower than the continuous drainage port, so as to ensure smooth drainage.



## CLEANING AND MAINTENANCE

### ⚠ WARNING:

Turn the dehumidifier off and remove the plug from the wall outlet before cleaning.

### A- Cleaning the dehumidifier body

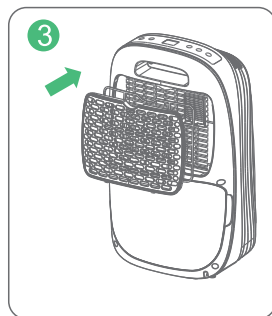
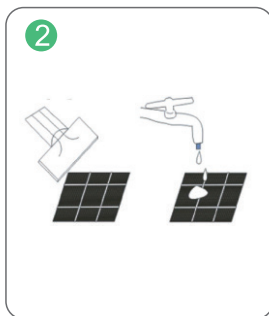
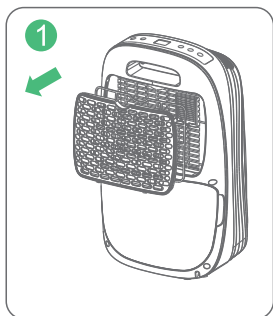
Please use a soft and a slightly wet textile or cloth to clean it.

### B- Cleaning filter

1. Pull out the filter.

2. Clean the filter: Use a vacuum cleaner to gently remove the dust from the surface of the filter. If the filter is very dirty, clean it with warm water and mild detergent and dry it completely.

3. Slowly insert the filter back into the machine body.



### C-Dehumidifier storage

When you want to store the dehumidifier because you don't use it for a long time. Please pay attention to the following steps:

1. Empty the water in the water tank.
2. Roll up the power cord and tie it up.
3. Clean the filter.
4. Place the machine in a cool and dry environment.

## COMMON FAULTS AND SOLUTIONS

Check the information below for troubleshooting steps, it will save you time to resolve issues that may happen with the unit.

The list includes most of the common cases, but not the results of defective unit, crafts or materials in the unit.

If all troubleshooting steps have been exhausted and the issue is still occurring, please feel free to reach out to Waykar Customer Service to get further assistance.

Problem	Reason	Method
Dehumidifier does not work	The power cord is unplugged.	Make sure that the unit's plug is inserted properly into the power outlet.
	Is the Full Tank indicator blinking? (The tank is full or in a wrong position.)	Empty the water in the water tank and then reposition the tank.
	Is the room temperature above 95°F (35°C) or below 41°F (5°C).	This product does not apply to over hot or cold environment, the machine will automatically enter the protection mode. It is a normal phenomenon.
	Is the room temperature between 41°F(5°C) and 68°F(20°C) ?	When running under lower ambient temperature, the machine will automatically defrost, which is a normal phenomenon. It will restart dehumidification again until the defrosting process finished.
	The dehumidifier is in the defrosting process.	It is normal the compressor ceases while defrosting process. Wait until the process finished, it will restart dehumidification again.
	Is the room humidity lower or reaching the preset humidity level? (When the room humidity has reached the preset level, the dehumidifier will enter Standby Mode and the indicator on LCD will flash. )	Please set the humidity decrease by 5% than the room humidity or set the humidity to 30%.
	This is to prevent the frequent start of the machine. Does the machine stop working just now?	Please wait for more than 3 minutes.
	Room humidity is low.	The dehumidifier is designed to work in the humidity range of 30%-80%. Above or below this range, it will not work.

# COMMON FAULTS AND SOLUTIONS

Dehumidifier does not dry the air as it should	The air filter is dirty.	Clean the air filter.
	Is the air inlet or air outlet obstructed?	Remove the obstruction from the air inlet or outlet.
	The dehumidifier size is too small for application.	Increase the quantity of dehumidifier. Or change to a higher capacity dehumidifier.
	Poor air circulation.	Please leave about 7.9inch (20cm) around the product
	Did not allow enough time to remove the moisture.	Allow enough time to remove the moisture. When first installed, allow at least 3-4 days to maintain the desired RH.
	The room has not been sealed properly.	Check that all doors, windows and other openings are securely closed.
	Room temperature is too low, or below 41 °F (5 °C): The machine will not work or undergo poor dehumidifying efficiency in low temperature.	Please wait until the temperature rises to above 5 °C or higher.
The dehumidifier makes loud noise when operating	The dehumidifier is not positioned levelly.	Move the machine to a horizontal position.
	Is there blocking around the air inlet? The air filter is clogged.	Clean up the dirt or lint on the air outlet and intake.
	Is the filter installed correctly?	Please check whether the packing bag of the filter had been removed and the filter has been installed correctly.
Dehumidifier operates continuously	Check if the dehumidifier is in Continuous Mode	Do Not set the humidity too low. Typically, 40-50% are good for use.
	Room humidity is too high.	Change humidity settings. Or change to a higher capacity dehumidifier.
	Doors and windows are open.	Ensure that all doors, windows and other openings are closed.

# COMMON FAULTS AND SOLUTIONS

Overflow of water on floor	Hose to connector or hose connection may be loose.	Connect the hose with the drainage port tightly.
	The water tank has not been installed properly.	Re-install the water tank properly.
	The float of water tank has been stuck.	Move the float and let it swing freely.
	The magnet on the float has come off.	Put the magnet in right position.

## Warning:

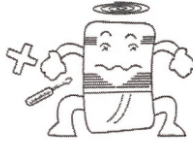
If the dehumidifier is still not working properly as expected and the troubleshooting steps or solutions above may not resolve the issue, please unplug the power and shut down the dehumidifier, then contact Waykar Customer Service at [support@waykar.com](mailto:support@waykar.com).



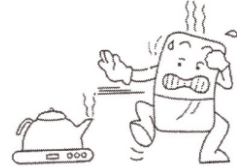
# SAFETY NOTE



- 1 When using, please do not put the machine at the soft and uneven ground, avoid vibration and movement.



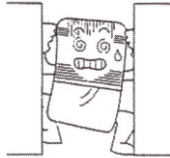
- 2 Do not insert thin rods and hard objects into the machine body to avoid malfunction and danger.



- 3 When using, please keep the machine away from heating furnace, electric kettle and other heat sources.



- 4 When using, please close doors and windows to achieve the best remove humidity effect.



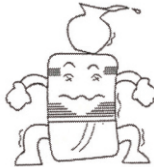
- 5 Please do not put objects around the body. If the ventilation is blocked, the dehumidification effect will be affected.



- 6 If do not use the product for a long time, please unplug the power cord.



- 7 When cleaning the dehumidifier, please use the wet textile to wipe gently, do not shoot the water directly.



- 8 Please do not put any object on the dehumidifier.



- 9 Please clean the filter every two weeks (do not use hot water above 104°F, alcohol, gasoline or toluene.)



- 10 When continuous drainage, the drain hose must be placed horizontally, without unevenness and winding.



- 11 After cleaning the filter, please do not dry it under direct sunlight, in case deformation.



- 12 Before moving and carrying the machine, please first pour out the water in the tank.

# TECHNICAL PARAMETERS

MODEL	PD100A
POWER SOURCE	120V ~ 60Hz
RATED POWER (95°F,90%RH)	200W
RATED CURRENT (95°F,90%RH)	1.8A
MOISTURE REMOVAL CAPACITY (65°F,60%RH)	8.4 Pints/Day (4L/Day)
MOISTURE REMOVAL (80 °F,60%RH)	12.3 Pints/Day (5.8L/Day)
MOISTURE REMOVAL (86 °F,80%RH)	21.8 Pints/Day (10.3L/Day)
MOISTURE REMOVAL (95 °F,90%RH)	29 Pints/Day (13.7L/Day)
INPUT POWER (65°F,60%RH)	125W
INPUT CURRENT (65°F,60%RH)	1.2A
IEF ( 65°F,60%RH)	1.30 liters/kWh
MOTOR FLA	0.19A
MOTOR COMPRESSOR	RLA: 1.7A LRA: 10.0A
REFRIGERANT	R134a/4.4ozs (125g)
MAXIMUM ALLOWABLE PRESSURE	363 PSIG (2.5MPa)
HIGH PRESSURE	232 PSIG (1.6MPa)
LOW PRESSURE	90 PSIG (0.62MPa)
Water Tank Capacity	0.26 gal
Dimensions	11.22"*7.28"*18.5"
Weight	2.2LB

 WARNING:

This product can expose you to chemicals including Styrene and its compounds, which is known to the State of California to cause cancer and birth defects or other reproductive harm. For more information, please visit: [www.P65Warning.ca.gov](http://www.P65Warning.ca.gov).

## Warranty

---

Waykar offers a 12-month warranty to all of our products together with the original proof of purchase when a defect occurred, including those newly purchased and unused, from Waykar or through an authorized reseller, wholly or substantially, or as a result of faulty manufacturing parts, or workmanship during the Warranty Period. The warranty does not apply if damage is caused by other factors, including but without limitation of:

- (a) Normal wear and tear;
- (b) Abuse, mishandling, accident or failure to follow operating instructions;
- (c) Exposure to liquid or infiltration of foreign particles;
- (d) Servicing or modification of the product other than by Waykar.

There are our general terms for the warranty service, but we always encourage our customers to contact us if any issues, regardless of warranty terms. If you are experiencing an issue with Waykar product, you can reach out to us at [support@waykar.com](mailto:support@waykar.com), we will dedicate our efforts to resolve it for you.

## Extend Your Warranty by 1 Year

---

Register your product at [www.waykar.com](http://www.waykar.com) to extend your 1-year warranty by an additional year.

\*Please fill out all required fields and include your Order ID, Date of Purchased if applicable.

## Customer Support

---

If you have any questions or concerns about your product, please feel free to contact our expert support team. Waykar customer service is here to help.

### **Waykar Office**

13211, Spring Street Baldwin Park, CA, US

Email: [support@waykar.com](mailto:support@waykar.com)

Live Chat: [www.waykar.com](http://www.waykar.com)

### **Support Hours**

24 Hours available

\*Please have your Order Number ready before contacting customer support.

# waykar

For FAQs and more information please visit:

[www.waykar.com](http://www.waykar.com)



@Waykar



@Waykar



@Waykar



@Waykar



(Scan the QR Code for Live Chat)

We are expecting to see our products fulfill your life and hear your voice.

Your satisfaction means a lot to us.

Please tag us if you share a snap on your social media.

[www.waykar.com](http://www.waykar.com)