

waykar

Tent Air Conditioner

Please read the manual carefully
before using the unit

BL001C

USER MANUAL

FOR CUSTOMERS

Thank you for purchasing our tent air conditioner.

Waykar has been committed to developing powerful and easy-to-use products to bring more convenience to your life. We highly recommend you to keep this user manual for future reference in case of unexpected problems.

Please read this user manual carefully to ensure proper use the tent air conditioner.

The tent air conditioner from waykar provide and efficient operation to adjust the temperature and bring you a healthy and comfortable life.

REQUESTING CUSTOMER SERVICE

If there are any problems of the product, please contact Waykar Customer Service at support@waykar.com with your Purchase Order ID. We'll help you solve the problems as soon as possible.

BEFORE FIRST USE:

To protect the product from any internal damages, please keep the product in the upright position throughout its journey.

Please take out the product and leave it standing in the upright position for **24 HOURS** before plugging it in.

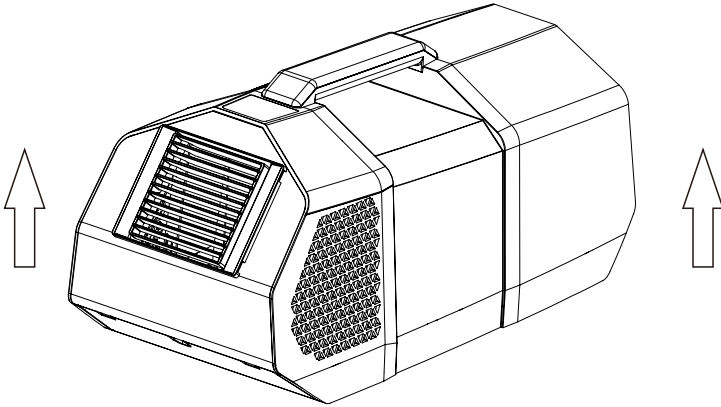



TABLE OF CONTENTS


PRECAUTIONS FOR USE	1
PRODUCT DESCRIPTION.....	3
CONTROL PANEL	5
USAGE.....	6
ACCESSORY CONNECTION	7
USAGE ENVIRONMENT.....	9
INSTALLATION INSTRUCTIONS	10
TROUBLESHOOTING	12
CLEANING AND MAINTENANCE.....	13
PACKING LIST.....	14
ENVIRONMENTAL CHECKLIST.....	15
SPECIFICATIONS	16
SPECIAL NOTES.....	17
WARRANTY & CONTACT US	18

PRECAUTIONS FOR USE

PRECAUTIONS FOR USE

This manual records the important safety items for the correct use and maintenance of the air conditioner to prevent personal injury or Property damage, please read the text on the basis of fully understanding the following content (logo, icon), and please be sure to abide by the recorded safety matters.

-  **ATTENTION:** This symbol indicates the possibility of personal injury or property damage
- The product must be repaired or maintained by professional personnel, and unauthorized disassembly, modification, repair or cleaning of internal components is prohibited.
 - Children, people who lack physical, sensory, and mental capabilities, and adults who do not understand the contents of this manual should not operate this product.
 - Appliances must be disconnected from power before cleaning or other maintenance.
 - Do not install this product where flammable gases are exposed. If flammable gas accumulates it may cause a fire.
 - Do not cover the power cord with a rug or similar covering, and do not place the power cord under furniture or other Placed away from traffic areas or where they will not be tripped over.
 - When using outdoors in thunderstorm weather, the machine should be turned off to avoid lightning damage to the machine.
 - Do not cover the air outlet, air inlet, exhaust air outlet and suction air inlet during the operation of the machine, and do not use the air outlet and exhaust air outlet to air dry and dry objects and clothing.
 - Install the unit on a solid surface, otherwise damage or excessive noise and vibration may result.
 - Do not perform operations that drop or damage the equipment.

 **WARNING:** This symbol indicates the possibility of death or serious injury

- It must be installed according to the installation instructions. Improper installation can lead to water ingress,leakage, electric shock or fire.

PRECAUTIONS FOR USE

- Use only the included accessories, parts and specified tools for installation. Using non-standard parts may cause water leakage, electric shock, fire disaster, injury or property damage.
- Make sure the outlet you are using is grounded and of the correct voltage. The supplied power cord has a three-prong grounded plug to prevent electric shock.
- Unauthorized replacement of the power cord is prohibited. Or connect the power cord halfway, or use it in parallel with other electrical appliances. Improper use of power may cause fire disaster or electric shock.
- If the supply cord is damaged, it must be repaired by the manufacturer, replacement by maintenance department or professionals.
- Do not install the air conditioner in a humid room such as a bathroom or laundry room, otherwise it may cause a short circuit of the electrical components.
- To reduce the risk of fire or electric shock, do not use this air conditioner with any solid state speed control device.

Precautions for fluorinated gases

- This air conditioning unit is a sealed unit containing fluorinated gas. For information on specific gas types and quantities, refer to the Related tags.
- This equipment does not support the user to add refrigerant by himself.
- Maintenance or repair of this equipment must be performed by certified technicians.
- After the product is scrapped, please separate it from the domestic garbage. The scrap must comply with the local garbage disposal regulations. Disconnect the power cord so that the device cannot be used again.

Notice

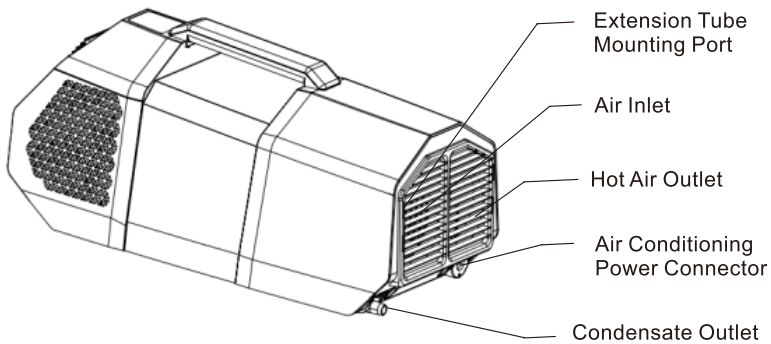
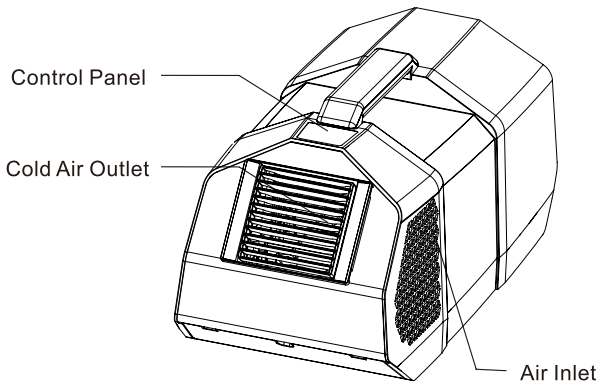
- All pictures in this manual are for reference only, your air conditioner may vary slightly depending on the model.

PRODUCT DESCRIPTION

Product Description

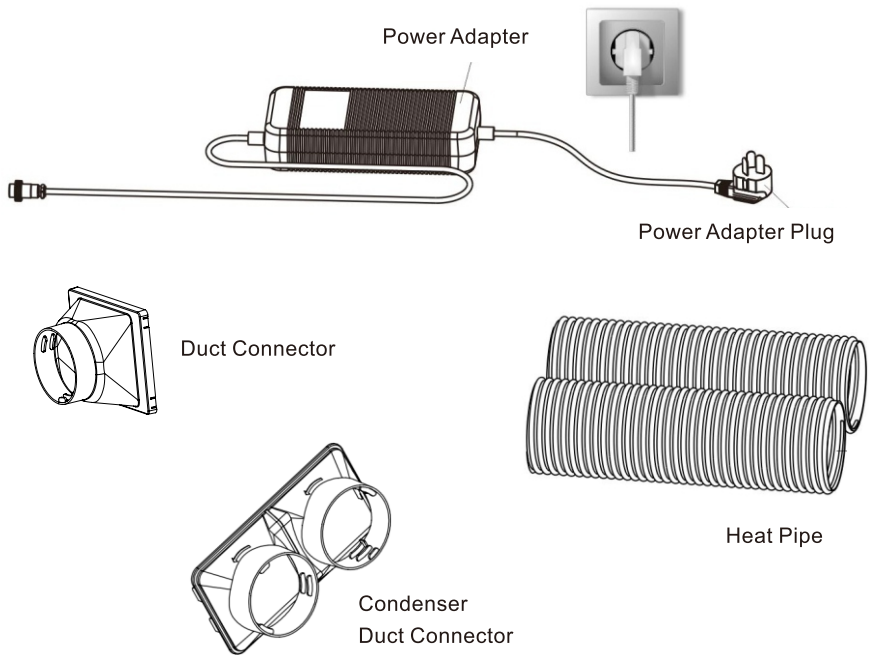
- This product is equipped with a new 24v high-performance compressor, a new double-pipe exhaust system, and a classic handle design for easy movement.

The Host



PRODUCT DESCRIPTION

Appendix



Design and specification

- Design Notes: In order to ensure the best performance of the product, the design specifications of the device is subject to change without prior notice;
- Energy Rating Information: The energy rating of this unit is based on the use of an extended exhaust pipe;
- This product has a set of intake and exhaust pipes built in, if you need a longer exhaust pipe, please get more information from your dealer .

CONTROL PANEL

Control Panel



Power Button

- In the case of power on, short press to power on when using the control panel to operate, and the power indicator light is always on. Long press for 3 seconds to power off. The air conditioner stops working after a 30-second delay.

Wind Speed Button

- Short press this key in any mode to switch to manual mode: F1 breeze speed mode, F2 medium speed mode, F3 Strong wind speed mode.
- In this mode, The "+" and "-" keys are still available.

Air Outlet Temperature Adjustment Button

- Each press increases the target ambient temperature by 1°C, up to 31°C (88°F)

Air Outlet Temperature Adjustment Button

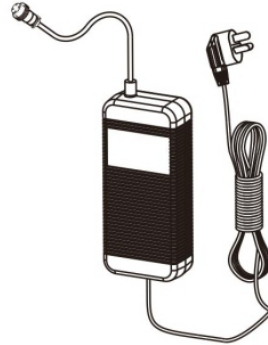
- Each press reduces the target ambient temperature by 1°C to a minimum of 16°C (61°F)

USAGE

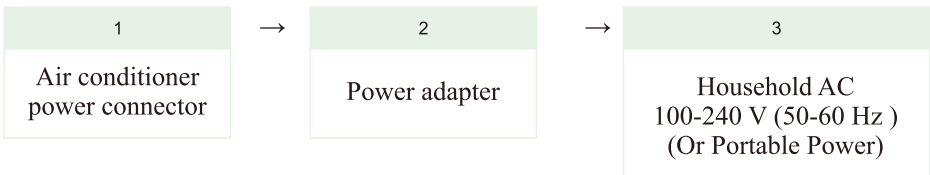
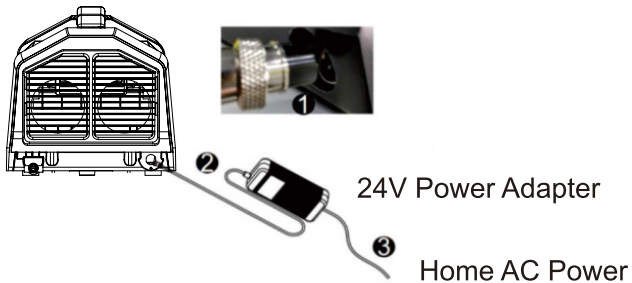
Usage

It can work with the original factory equipped power adapter.

Adapter specifications for this device: Input voltage: AC100-240 V~50-60 Hz, voltage: DC 24V, Power: 240W



Powered by adapter:



Note: Use the adapter provided by the original factory, do not use a third-party adapter (to avoid unnecessary electrical hazards).

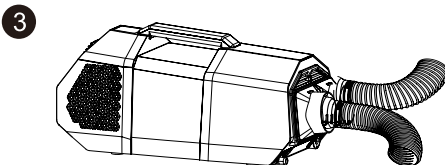
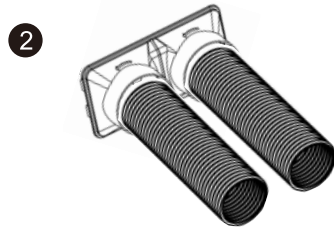
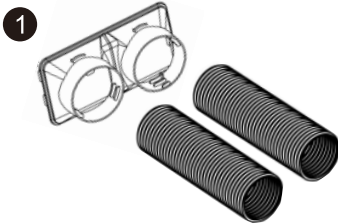
ACCESSORY CONNECTION

Accessory Connection

1. Connect The Drain

- Fitting connection to connect the drain.
- The device, like a conventional air conditioner, turns gaseous water in the air into a liquid, and it uses gravity to collect and expel the resulting water. Its interior can store the condensed water for about 1-2 hours, depending on the air humidity.
- Connect the drain hose to the drain. Place the open end of the hose directly in the drainage area of the basement or other container.
- Pay attention to the placement of the drain pipe to avoid contact with the power supply.
- Please keep the water hose connection secure, no leaks, no kinks, place the end of the drain hose into the drain area and make sure the end of the drain hose face down so the water can flow freely. When working or carrying, do not lean forward or sideways, otherwise water will leak from the front or side.

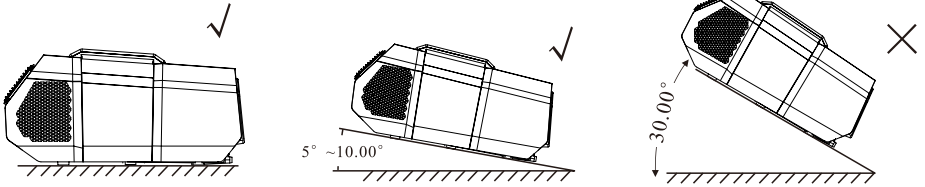
2. Connect The Extension Tube



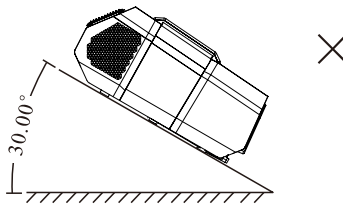
- ④ * Use in large spaces or outdoor open spaces, there is no need to connect the extension tube.
- * For use in narrow spaces an extension tube can be attached and placed correctly.

ACCESSORY CONNECTION

- Note that it should be kept level during use. It's better to tilt it back 5-10 degrees, don't tilt it forward or side to side, Otherwise condensate will leak out from the front and bottom of the air conditioning unit.



- Do not move the air conditioner immediately after using it. Slowly tilt the air conditioner back 30 degrees to ensure that any water left in the air conditioner is drained. Note: If water leaks due to improper placement, do not be nervous, just wipe it clean or cool it naturally, it will not affect the performance of the machine.



Usage Environment

Your installation location should meet the following requirements:

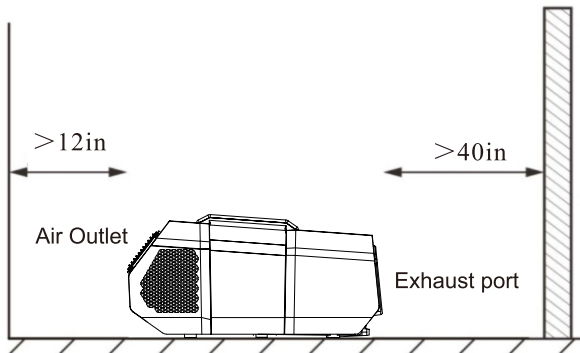
- Make sure to mount the unit on a flat surface to minimize noise and vibration.
- The distance between the air outlet of the machine and the wall or obstruction >12 in, and the distance between the exhaust port and the wall or obstruction >40 in, to ensure proper space.
- Do not cover the air outlet, exhaust port and socket of the machine, otherwise the machine may be damaged.
- Using this unit with the power adapter must be installed near a grounded plug.
- Must have access to drainage area.

Electricity Environment Safety

- When using outdoors, in case of rainy weather, please pay special attention to prevent the machine and portable power from being exposed to rain and water, and keep the air inlet and exhaust outlet without foreign objects blocking.

Tips:

- After long-distance bumpy transportation, after turning on the device for the first time or placing the device for a long time, please lay it flat for more than 30 minutes before turning it on.



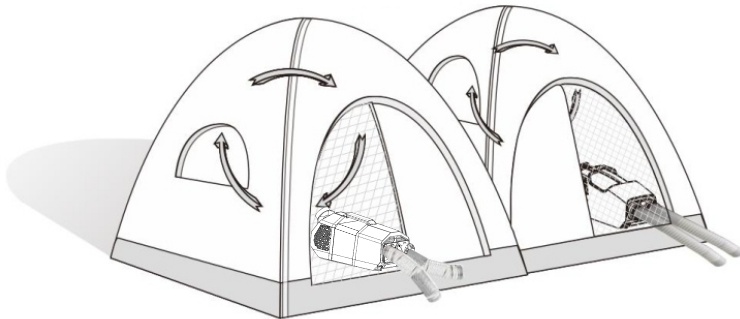
INSTALLATION INSTRUCTIONS

Tent Placement

Conventional Tent/Tent With Air Conditioning Vent Suggestion:

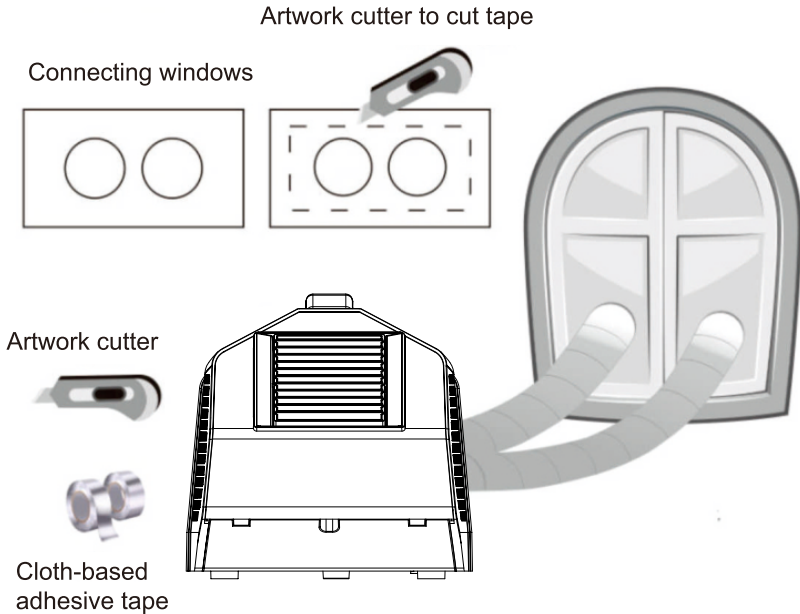
- Pay attention to the tent insulation, if the tent is poor in insulation, please cover the tent with an insulated mat.
- Pay attention to airtight, vented tents, be careful to close or cover the vents.
- Pay attention to the sunshade, you can use the canopy to cover the tent.
- If the large tent exceeds the cover range of air conditioner, please add an air conditioner, or create a small cooling space inside the tent with a cloth partition.

Tent Placement



INSTALLATION INSTRUCTIONS

Connecting windows



- You can use a piece of pearl cotton suitable for the size of the window, cut out two 3.15in diameter round holes with a cutter, the two holes are about 4.72in apart, adjust the appropriate angle to the window.
- Adjust the appropriate angle and paste it onto the window. Close the window and insert the two exhaust pipes of the air conditioner into the two round holes.

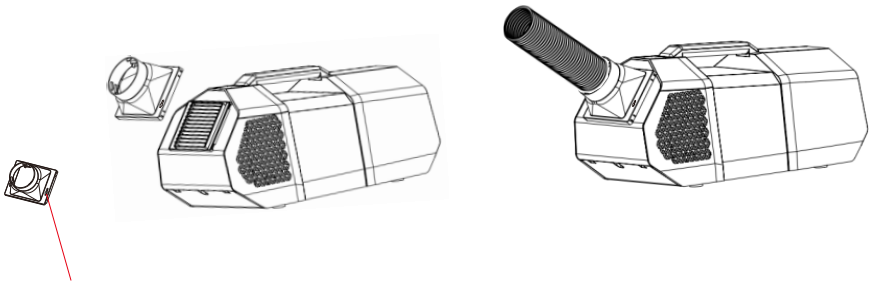
Note on the placement of the exhaust pipe:

- To ensure proper function, do not over extend or bend the hose.
- Make sure there are no obstructions around the exhaust hose outlet (within 20in) for the exhaust system to work properly.
- All illustrations in this manual are for illustration purposes only. Your air conditioner may be slightly different, based on the actual shape.

TROUBLESHOOTING

Cooling air Extension Tube Installation Instructions

- This accessory can be used in some narrow space where it is not convenient to place the equipment, such as the cab, etc., you can use this accessory to send cold air to the specified position. When adjusting the position of the cold air extension, one hand should be pressed against the connector of the cold air extension.



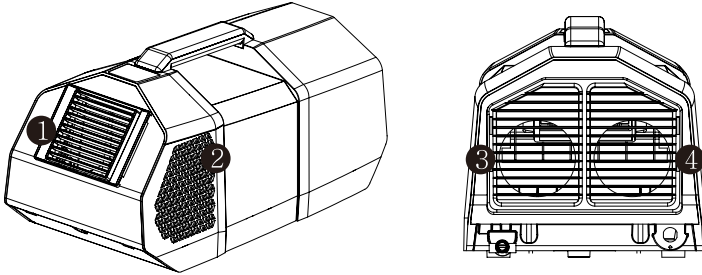
Note: The arrow direction of the air outlet is downward

Troubleshooting

Error Code	Fault Conditions
E1	Indoor ambient temperature sensor failure
E3	Communication failure between main board and display board
LO	Undervoltage protection
HI	Oversvoltage protection is full

CLEANING AND MAINTENANCE

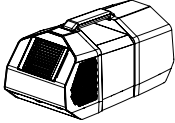



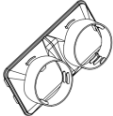
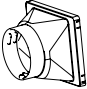
Cleaning and Maintenance



- Before cleaning and maintenance, you must first stop and cut off the power supply.
- Do not use flammable liquids or chemicals to clean the device, and under no circumstances are allowed to wash the device with water, otherwise it may cause electric shock gas hazard.
- Do not operate the machine if the power supply is damaged during cleaning.
- Clean the case with a soft dry cloth or a cloth dampened with neutral detergent. Regularly clean ① air-conditioning outlet, ② air inlet, ③ air inlet, ④ Heat vent.
- After each use, maintenance before storage.
- After use, please tilt the machine backward for 15 to 20 minutes , to drain water from the catch pan.
- After draining the water, please run the unit on fan mode for 12 hours in a warm room to dry it out and prevent mold. Then turn off the power source and unplug the power plug.
- If you do not plan to use this product for a long time, please keep it properly.
- Please tilt the machine backward for 30 to 60 minutes , to drain the water from the water collection pan.
- Please run the unit on fan mode for 12 hours in a warm room after draining the water to dry it out and prevent mold.
- Stop using the machine for a long time, please unplug the adapter and the power cable of the air conditioner, remove the extension pipe, drain pipe, adapter device, cold air extension pipe connector, exhaust pipe connector, store in the packing box, store in a cool and dry place, avoid direct sunlight and humid places.

PACKING LIST

Packing List

Serial number	Picture	Name	Quantity
1		Air Conditioner	1
2		24V 240W Adapter	1
3		39.4in Drain Pipe	1
4		Extension Tube	3
5		Cold Air Extension Tube Connector	1
6		Duct Connector	1

ENVIRONMENTAL CHECKLIST

Environmental Checklist

Part Name	Harmful Substance					
	Lead (Pb)	Cadmium (Cd)	Mercury (Hg)	Hexavalent Chromium (Cr+6)	PBBs (PBBS)	Polybrominated Diphenyl Ethers (PBDE)
Compressor and Accessories	×	○	×	○	○	○
Pipe Fittings and Valves	×	○	○	○	○	○
Motor	×	○	○	○	○	○
Power Cord / Connection Cord	○	○	○	○	○	○
Rubber Parts	○	○	○	○	○	○
Power Adapter	×	○	○	○	○	○
Other Plastic Parts	○	○	○	○	○	○

This form is prepared according to the provisions of SJ/T11364.

○ Indicates that the content of the hazardous substance in all homogeneous materials of the part is GB /T26572 The specified limit requirements are below.

×

Means that the content of the hazardous substance in at least one homogeneous material of the part exceeds GB /T26572 specified limit requirements. But with the existing technical conditions, it is extremely difficult to make product parts completely free of the above-mentioned harmful substances, and follow-up technological progress will gradually improve the design step by step.

SPECIFICATIONS

Specifications

MODEL	BL001C
POWER	DC 24V
COOLING RATED POWER (W)	240W
COOLING RATED CURRENT (A)	1.1A
COOLING RATED CURRENT (A) ADAPTER	10A
COOLING CURRENT	1.5A
COOLING CAPACITY	1450 BTU
REFRIGERANT	R134a/140g

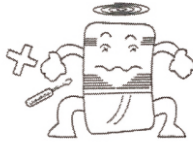
WARNING

This product can expose you to chemicals including Styrene and its compounds, which is known to the State of California to cause cancer and birth defects or other reproductive harm. For more information, please visit: www.P65Warning.ca.gov.

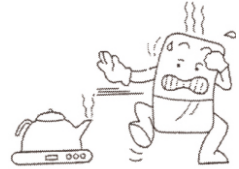
SPECIAL NOTES



- 1 When using the machine, please do not put it on a soft or uneven ground to prevent vibration and movement.



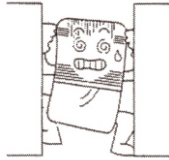
- 2 Do not insert any thin rods or hard items into the machine to prevent malfunctions and dangers.



- 3 When using the machine, please keep it away from any heating furnaces, electric kettles and other heating sources.



- 4 When using the machine, please close doors and windows for the optimal temperature adjust effect.



- 5 Please do not put any objects around the machine. The product function will be affected.



- 6 Please unplug the machine from the power source if you do not use it for a long time.



- 7 When cleaning the product, please use wet cloth to wipe gently. Do not spray water on it directly.



- 8 Please do not put any objects on the product.



- 9 Please clean the filter every two weeks. Do not use hot water above 104°F, alcohol, gasoline or toluene.



- 10 When using the hose to drain continuously, please place the hose horizontally and make sure it is even and not winded.



- 11 After cleaning the filter, please do not dry it under direct sunlight to prevent it from deforming.



- 12 Before moving or carrying the machine around, please empty the water tank first.

WARRANTY & CONTACT US

Warranty

Waykar offers a 12-month warranty to all of our products together with the original proof of purchase when a defect occurred, including those newly purchased and unused, from Waykar or through an authorized reseller, wholly or substantially, or as a result of faulty manufacturing parts, or workmanship during the Warranty Period.

The warranty does not apply if damage is caused by other factors, including but without limitation of:

- (a) Normal wear and tear;
- (b) Abuse, mishandling, accident or failure to follow operating instructions;
- (c) Exposure to liquid or infiltration of foreign particles;
- (d) Servicing or modification of the product other than by Waykar.

There are our general terms for the warranty service, but we always encourage our customers to contact us if any issues, regardless of warranty terms.

If you are experiencing an issue with Waykar product, you can reach out to us at support@waykar.com, we will dedicate our efforts to resolve it for you.

Extend Your Warranty by 1 Year

Register your product at www.waykar.com to extend your 1-year warranty by an additional year.

*Please fill out all required fields and include your Order ID, Date of Purchased if applicable.

Customer Support

If you have any questions or concerns about our product, please feel free to contact our expert support team. Waykar customer service is ready to help.

Waykar Office

210 Henson Road Bldg A, Blacksburg, SC 29702 USA

Email: support@waykar.com

Live Chat: www.waykar.com

Support Hours

24 Hours available

*Please have your Order Number ready before contacting customer support.

waykar

For FAQs and more information please visit:

www.waykar.com



@Waykar



@Waykar



@Waykar



@Waykar



(Scan the QR Code for Live Chat)

We are expecting to see our products fulfill your life and hear your voice.

Your satisfaction means a lot to us.

Please tag us if you share a snap on your social media.

www.waykar.com