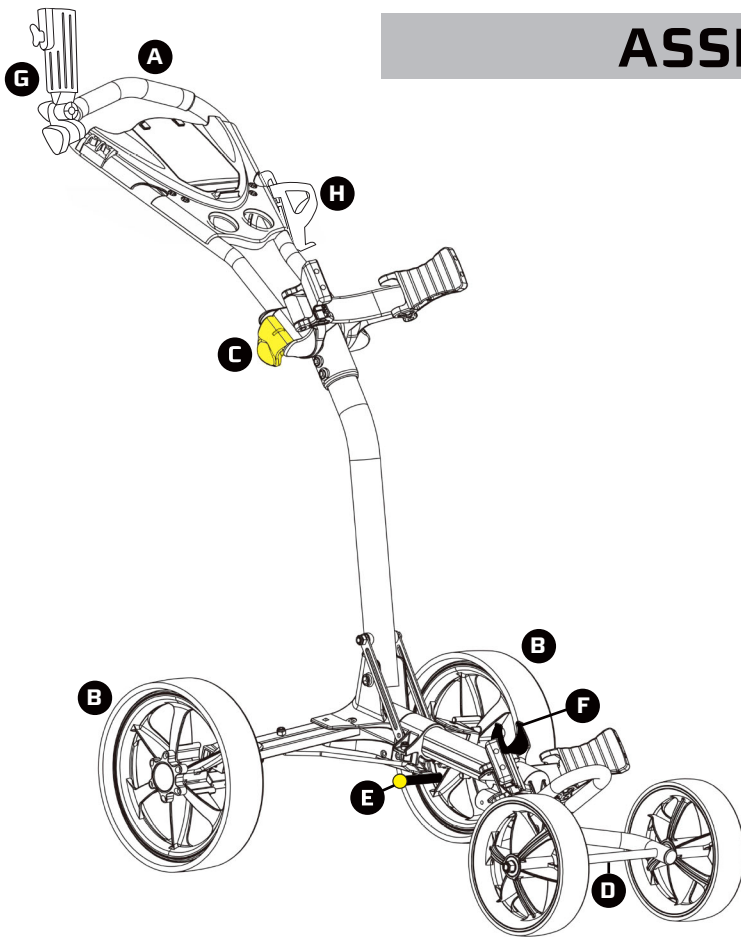


ASSEMBLY



- A** MAIN FRAME
- B** REAR WHEELS (2)
- C** FRAME ADJUSTMENT LEVER
- D** FRONT WHEEL BAR
- E** FRAME RELEASE PIN
- F** FRAME HOLDER
- G** UMBRELLA HOLDER & SCREW
- H** DRINK HOLDER

STEP 1

REMOVE ALL PIECES FROM THE BOX AND LAY THE MAIN FRAME (A) ON THE GROUND WITH THE CALLAWAY LOGO FACING UP.

STEP 2

BEGIN TO UNFOLD THE MAIN FRAME (A) BY RELEASING THE LARGE YELLOW FRAME ADJUSTMENT LEVER (C), GRABBING THE HANDLE, AND PULLING UPWARD.

STEP 3

WITH THE HANDLE UPRIGHT, TIGHTEN THE FRAME ADJUSTMENT LEVER (C) TO LOCK THE HANDLE IN PLACE.

STEP 4

PULL BACK ON THE HANDLE TO RELEASE THE REST OF THE FRAME FROM THE FRAME HOLDER (F).

STEP 5

ONCE PULLED ALL THE WAY UP, YOU WILL HEAR THE FRAME RELEASE PIN (E) ON THE BASE OF THE MAIN FRAME (A) LOCK INTO PLACE. THE FRAME IS NOW SECURE.

STEP 6

REMOVE THE RUBBER COVERS FROM THE PINS ON THE REAR WHEELS (B).

STEP 7

ATTACH THE REAR WHEELS TO THE MAIN FRAME (A) BY INSERTING THE PINS INTO THE CORRESPONDING SLOT ON EACH SIDE OF THE CART WHILE HOLDING DOWN THE SMALLEST YELLOW WHEEL RELEASE LEVER LOCATED DIRECTLY NEXT TO EACH WHEEL SLOT.

STEP 8

ATTACH THE FRONT WHEEL BAR (D) BY INSERTING THE END OF THE BAR INTO THE CORRESPONDING WHEEL SLOT ON THE FRONT OF THE MAIN FRAME (A).

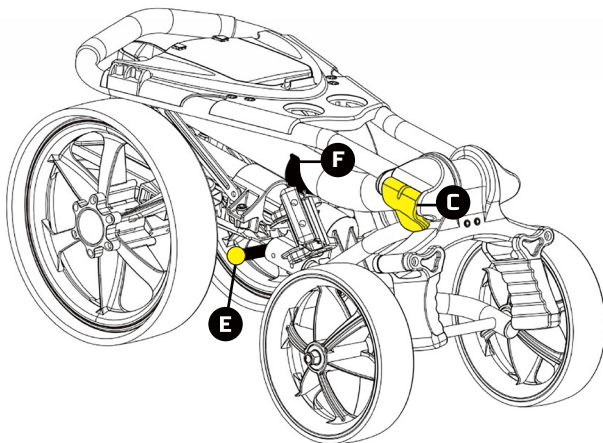
STEP 9

TO LOCK THE FRONT WHEEL BAR (D) IN PLACE PULL THE RED FRONT WHEEL LOCK, LOCATED ON THE BOTTOM OF THE FRAME, UNTIL IT IS SECURELY HOLDING THE BLACK KNOB ON THE FRONT WHEEL BAR (D).

STEP 10

RELEASE THE FRAME ADJUSTMENT LEVER (C) AND SET THE HANDLE TO YOUR DESIRED HEIGHT. TIGHTEN THE LEVER TO SECURE. YOUR CART IS NOW READY FOR USE.

FOLDING & STORAGE



STEP 1

RELEASE THE FRAME RELEASE PIN (E) ON THE BASE OF THE MAIN FRAME (A) BY PULLING UP ON IT WITH YOUR HAND OR FOOT.

STEP 2

AT THE SAME TIME, PUSH THE VERTICAL PART OF THE FRAME DOWN UNTIL IT IS SECURELY IN THE FRAME HOLDER (F).

STEP 3

FOLD UP THE HANDLE ONTO THE REST OF THE FRAME BY RELEASING THE FRAME ADJUSTMENT LEVER (C) AND PULLING THE HANDLE DOWN TOWARDS THE REAR WHEELS (B).

STEP 4

ONCE RESTING ON THE WHEELS, TIGHTEN THE FRAME ADJUSTMENT LEVER (C) BACK INTO PLACE. YOUR CART IS NOW SECURE AND READY FOR TRANSPORT OR STORAGE.

CONTACT INFORMATION

Phone: 800-456-2129 Email: sales@callawayTAG.com | Address: 1635 Commons Parkway, Macedon, NY 14502.

