



## Create With Us: Hay There, Hayrides!

### thank you!

Thank you for being part of our class! Remember, these are YOUR cards, and no one is going to compare them to ours. Making substitutions and switching things up is a benefit of working from your crafty space. We will list some specific details to the cards, like what is popped up, but remember you do you and- just have fun!

If you have any questions feel free to email Jenn!  
**creative-chick@shurkus.com**

### connect with us:

We would love to see what you create in this class you can use these hashtags so we don't miss it

**#LFCreateWithUs**  
**#creativechickclasses**  
**tag @lawnfawn**  
**tag @jennshurkus**

## HAPPY CREATING!

Jenn Shurkus & Kelly Marie Alvarez

[www.shurkus.com](http://www.shurkus.com)  
[www.lawnfawn.com](http://www.lawnfawn.com)



**be inspired!**  
 you can win a lawn fawn  
 gift certificate!  
[lawnfawnatics.com](http://lawnfawnatics.com)



**more Lawn Fawn Create with Us classes**  
[www.shurk.us/LF-create-with-us](http://www.shurk.us/LF-create-with-us)

*creative chick*  
 shurkus.com · online classes · creative inspiration



[www.shurkus.com](http://www.shurkus.com)



## Card 1: Happy Fall



### Lawn Fawn Stamps & Lawn Cuts:

Hay There, Hayrides! LF3213  
Hay There, Hayrides! Lawn Cuts LF3214  
Stitched Hillside Backdrop: Landscape, LF1502

### Other Lawn Fawn Supplies:

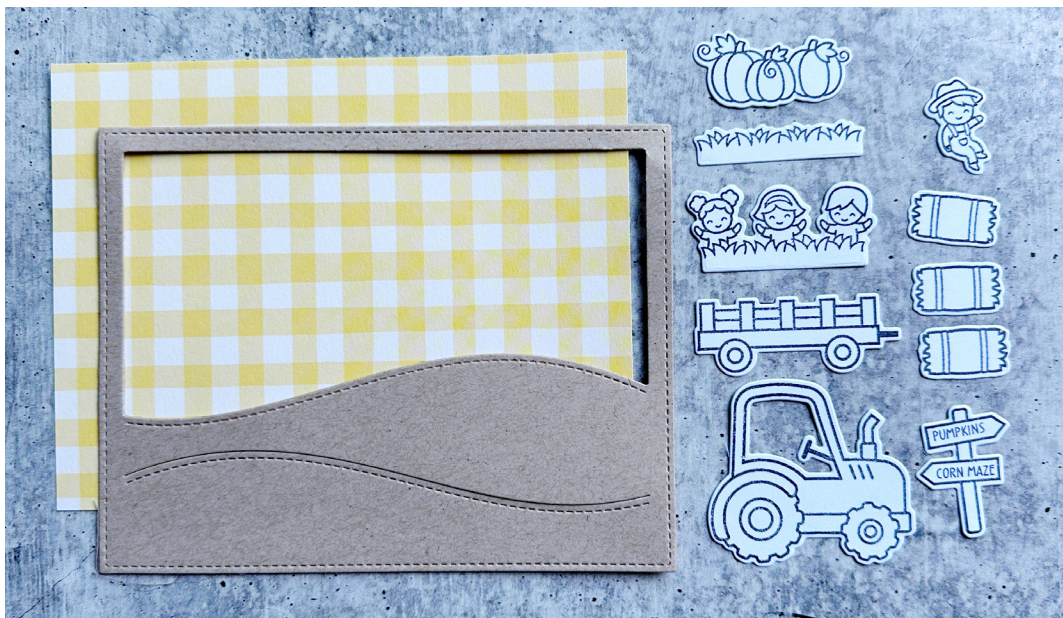
Fruit Salad Petite Paper Pack, LF3153 (or Fruit Salad - Squeeze The Day 12x12 paper, LF3149)  
Kraft Cardstock, LF1747  
White Cardstock (Neenah Classic Crest 80lb Smooth Solar White), LF1753  
Cilantro Ink Pad, LF1661  
Black Licorice Ink Pad, LF868  
Jet Black Ink Pad, LF1302

Copics (specific colors listed on coloring guide pages)  
Lawn Fawn Glue Tube, LF1664  
Stamping platform or a larger acrylic block like 3" x 6" LF1044  
1.75" Grip Round Grip Block, LF496  
3L Foam Squares, LF886  
3L Foam Strips, LF2819  
Low tack tape, LF1037  
Die Cut Machine



## Card 1: prep

Before class, it will be helpful if you have the following pieces stamped/die-cut etc. Jenn used Neenah Classic Crest Cover, Solar White 80#, Super Smooth for Copic coloring, card bases, and most white layers on cards unless otherwise noted. Lawn Fawn white cardstock item LF1753 is just that. Jenn also used Lawn Fawn Jet Black ink pad item LF1302 to stamp her images as she will be coloring with Copic markers which are alcohol based.



### Paper Prep:

- 4 1/4" x 5 1/2" yellow patterned paper (Jenn will be using the yellow gingham from Fruit Salad Petite Paper Pack, LF3153)

### Diecut the following:

- Stitched Hillside Backdrop: Landscape, LF1502
- cut out of Kraft Cardstock, LF1747

### Card Base:

- cut to 5 1/2" x 8 1/2", folded to 5 1/2" x 4 1/4", horizontal top fold

### Stamp and diecut the following images:

(Jenn used Lawn Fawn Jet Black ink LF1302 that works with alcohol based markers and 80# Neenah cardstock which Lawn Fawn White Cardstock LF1753 is)

Hay There, Hayrides! LF3213 and Lawn Cuts, LF3214

- row of pumpkins
- row of grass/hay
- row of people
- wagon
- tractor
- farmer
- bale of hay - qty 3
- sign with "pumpkins" and "corn maze" stamped in it



## Card 1: details



**Popped up with foam strips:**  
 frame of stitched hillside backdrop

**Popped up with foam squares:**  
 base/hillsides of stitched hillside backdrop  
 hay bales  
 tractor  
 wagon/people  
 sign



## Card 2: Filled With Fun



created for lawn fawn by jenn shurkus

### Lawn Fawn Stamps & Lawn Cuts:

Hay There, Hayrides! LF3213  
Hay There, Hayrides! Lawn Cuts LF3214  
Hay There, Hayrides! Mice Add-On, LF3215  
Hay There, Hayrides! Mice Add-On Lawn Cuts, LF3216  
Sunrise Backdrop, LF1987

### Other Lawn Fawn Supplies:

White Cardstock (Neenah Classic Crest 80lb Smooth Solar White), LF1753  
Butter Ink Pad, LF1092  
Cilantro Ink Pad, LF1661  
Minty Fresh Ink Pad, LF1092  
Merman Ink Pad, LF1088  
Peacock Ink Pad, LF927  
Black Licorice Ink Pad, LF868  
Jet Black Ink Pad, LF1302

### Recommended Supplies:

Copics (specific colors listed on coloring guide pages)  
Lawn Fawn Glue Tube, LF1664  
Stamping platform or a larger acrylic block like 3" x 6" LF1044  
1.75" Grip Round Grip Block, LF496  
Blender Brushes  
Distress White Heavystock, LF3041  
3L Foam Squares, LF886  
3L Foam Strips, LF2819  
Low tack tape, LF1037  
Die Cut Machine

CREATE WITH US:  
**HAY THERE,  
HAYRIDES!**

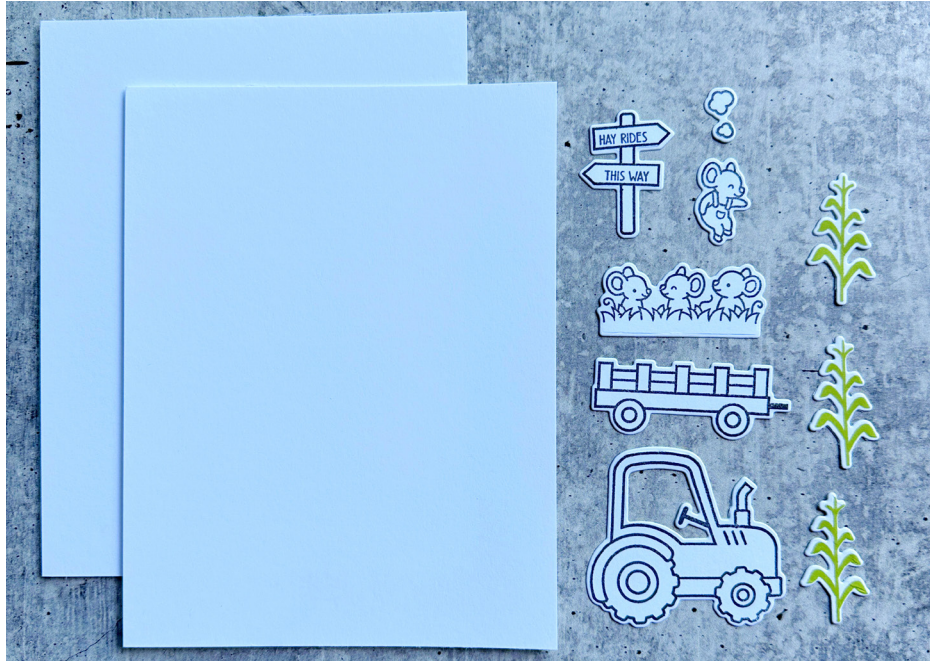


Jenn Shurkus & Kelly Marie Alvarez

www.lawnfawn.com  
www.shurkus.com

## Card 2: prep

Before class, it will be helpful if you have the following pieces stamped/die-cut etc. Jenn used Neenah Classic Crest Cover, Solar White 80#, Super Smooth for Copic coloring, card bases, and most white layers on cards unless otherwise noted. Lawn Fawn white cardstock item LF1753 is just that. Jenn also used Lawn Fawn Jet Black ink pad item LF1302 to stamp her images as she will be coloring with Copic markers which are alcohol based.



### Paper Prep:

- 4 1/4 x 5 1/2" White Cardstock for ink blending (Jenn will be using Distress White Heavystock, LF3041)- qty 2 (we will be diecutting after we ink blend)

### Card Base:

- cut to 5 1/2" x 8 1/2", folded to 5 1/2" x 4 1/4", horizontal top fold

### Stamp and diecut the following images:

(Jenn used Lawn Fawn Jet Black ink LF1302 that works with alcohol based markers and 80# Neenah cardstock which Lawn Fawn White Cardstock LF1753 is)

Hay There, Hayrides! LF3213 and Lawn Cuts, LF3214

- wagon
- tractor
- puffs of smoke
- sign with "hay rides" and "this way" stamped in it

with Cilantro Ink Pad LF1661

- corn stalk - qty 3



Jenn Shurkus & Kelly Marie Alvarez

www.lawnfawn.com  
 www.shurkus.com

## Card 2: details



**Popped up with foam strips:**  
 frame and rays of sunrise backdrop

**Popped up with foam squares:**  
 base of sunrise backdrop  
 tractor  
 wagon/mice  
 sign  
 puffs of smoke  
 corn stalks

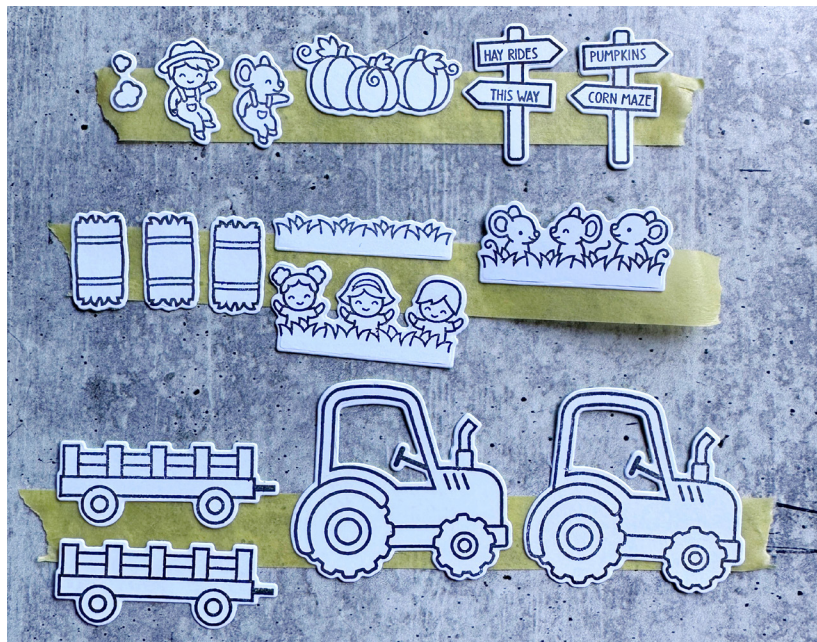


## Copic Coloring Guide

You can use any coloring medium during class. Jenn will be coloring with the following Copic markers and will teach her blending tips and tricks. No matter what coloring medium you are using, these coloring guides will help with where to put the shadows, and color choice. Jenn shares more about Copic marker basics here: [www.shurk.us/copic101](http://www.shurk.us/copic101)

**Before class TIP: using a low tack tape/washi tape temporarily adhere your images to a strip of tape to make it easier to hold onto the images while coloring in class (shown below)**

**Note: all images may not be shown, just those that are smaller that we will be coloring, refer to the prep for a full list**



### Copics Used:

- |      |      |
|------|------|
| V12  | BG11 |
| R20  | E21  |
| RV21 | E33  |
| YR16 | E42  |
| Y38  | E43  |
| Y13  | T2   |
| Y15  | T4   |
| YG05 | T6   |
| YG09 | T8   |
| BG13 |      |
| BG32 |      |

### Lawn Fawn Inks Used:

- Butter
- Minty Fresh
- Merman
- Peacock
- Cilantro

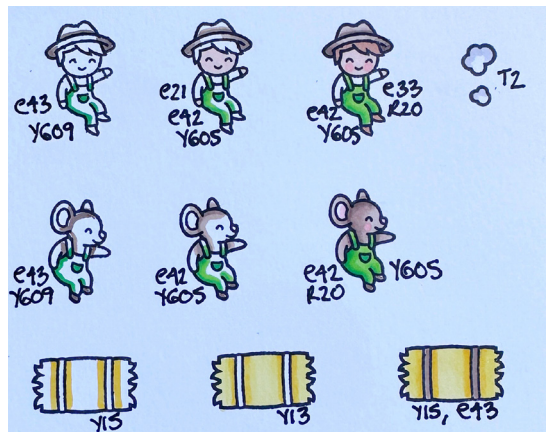
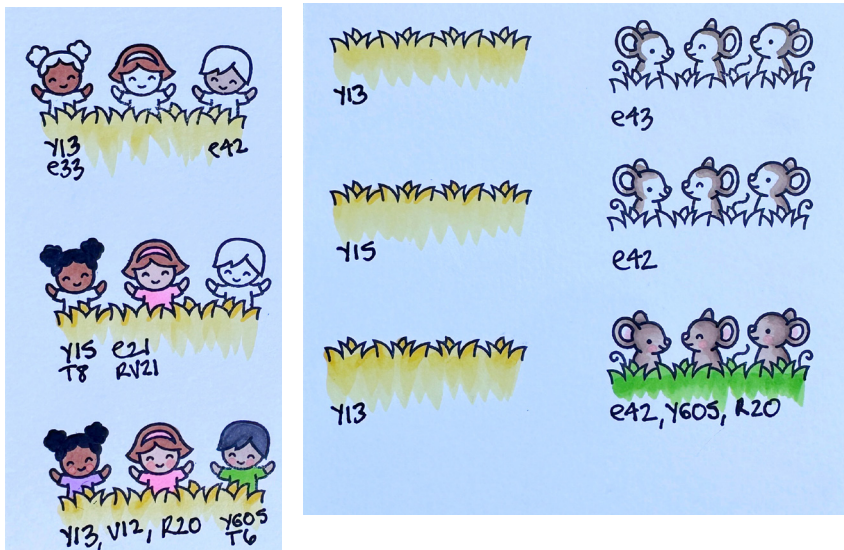






## Copic Coloring Guide

You can use any coloring medium during class. Jenn will be coloring with the following Copic markers and will teach her blending tips and tricks. No matter what coloring medium you are using, these coloring guides will help with where to put the shadows, and color choice. Jenn shares more about Copic marker basics here: [www.shurk.us/copic101](http://www.shurk.us/copic101)

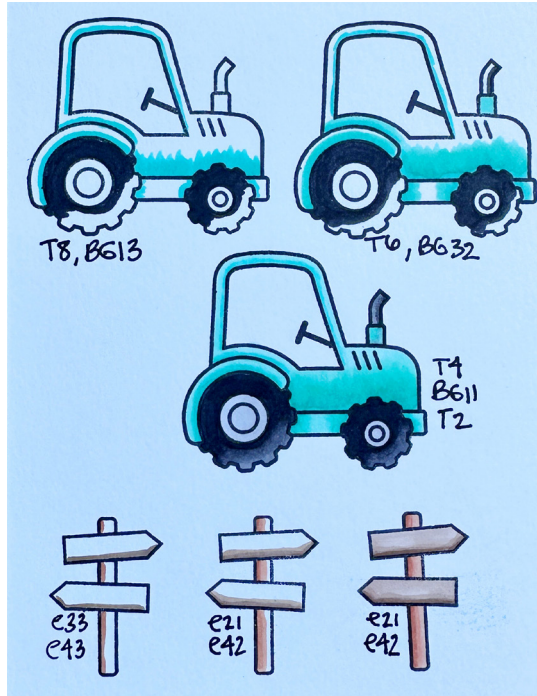


### Coloring with Copics (refer to coloring guides):

- person 1 E33, T8, V12
- person 2 E33, E21, RV21
- person 3 E42, T6, YG05
- hay Y13, Y15
- ties for hay E43
- mice E43, E42
- grass YG05, YG09
- farmer hat E43, E42
- farmer skin E21, R20
- farmer hair and boots E33
- overalls YG09, YG05
- smoke T2



## Copic Coloring Guide



### Coloring with Copics (refer to coloring guides):

pumpkins YR16, Y38, YG05, YG09, E33

trailer E33, E21, T8, T6, T4, T2

tractor T8, T6, T4, T2, BG13, BG32, BG11

sign post E37, E33

signs E43, E43

**keep track of your  
 favorite color combos!**

*copic coloring  
 guide*

*free download* →



*lined note page*

*free download* →

