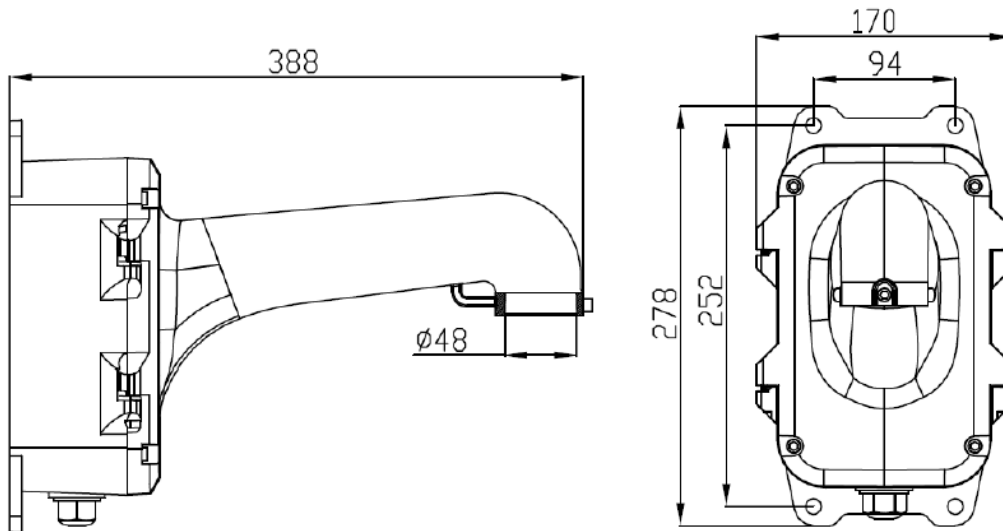


IPM-PTZWALLJB

Wall mount bracket for PTZ camera with junction box included

Model	IPM-PTZWALLJB
Material	Aluminum alloy
Color	White
Min. Packaging Quantity	1
Packing Size	16.7 x 12.7 x 8.7 in (423x323x220mm)
Dimension	15.3 x 11 x 6.7 in (388x278x170mm)
Net Weight	5.5 lbs (2.5kg)
Load Bearing	The wall must be strong enough to withstand at least 3 times the weight of the speed dome and the bracket.
Working Temperature	-40°F~+140°F (-40°C~+60°C)
Working Humidity	10% ~ 90%

Unit: mm



Ordering Information

IPM-PTZWALLJB: Wall mount bracket with junction box included