

ICONIC SERIES
SEASHELL



REMOTE CONTROL

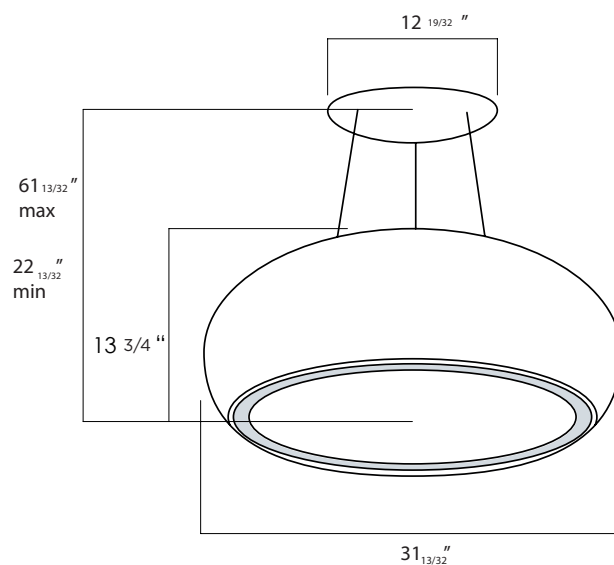


LONG LIFE FILTER

ELICA'S EXCLUSIVE PLUS FEATURES

Seashell is a hood characterized by its large dimensions, making it perfect for spacious island kitchens. Made from exclusive materials, it perfectly combines the functions of a hood, lamp and its perimeter aspiration offers benefits for the highest performance. In addition, its round shape and bright lights give it the appearance of a stylish pendant lamp.

The ideal complement for a refined and contemporary kitchen is Seashell, which has a remote control and is available in stainless steel.





Model:	ESS432SS
Dimensions:	31 1/2 " W x Min: 22 13/32" - 61 13/32 " H
Blower type (internal):	400 CFM (4 speed)
Noise (sones):	5.9 Sones
Finish:	Mirror Stainless Steel
Controls:	3S+B Remote Control (Included)
Illumination:	4 strip Led +Led Disk, 3500 K
Filter type:	Aluminium grease filter + Regenerable charcoal filter
Installation type:	Recirculating Only
Electrical:	120 V, 60 Hz
KITS:	
Extension cable kit (8.2 ft):	KIT0067590
White remote control:	KIT0121468
Black remote control:	KIT0121469
WARRANTY:**	Two (2) Years Parts & In-Home Labor. Earn an additional One (1) Year of Parts & In-Home Labor by registering on elica.com.

PLUS FEATURES



LONG LIFE FILTER - One of a kind odour filter, capable of regenerating itself and of lasting up to 3 years. To maintain these characteristics, the filter only requires simple maintenance: wash every 2 or 3 months with hot water and mild soap (also in dishwasher at 65 degrees) and dry in the oven for ten minutes at 100 degrees.



ELICAS ADA One compliant Remote Control, provides added convenience to the typical user, as well as, full function access for those with limited mobility.

*The product images shown are for illustration purposes only and may not be an exact representation of the product.

** For valid warranty extension, register within 3 months from purchase For USA & Canada Users only.