

pTron



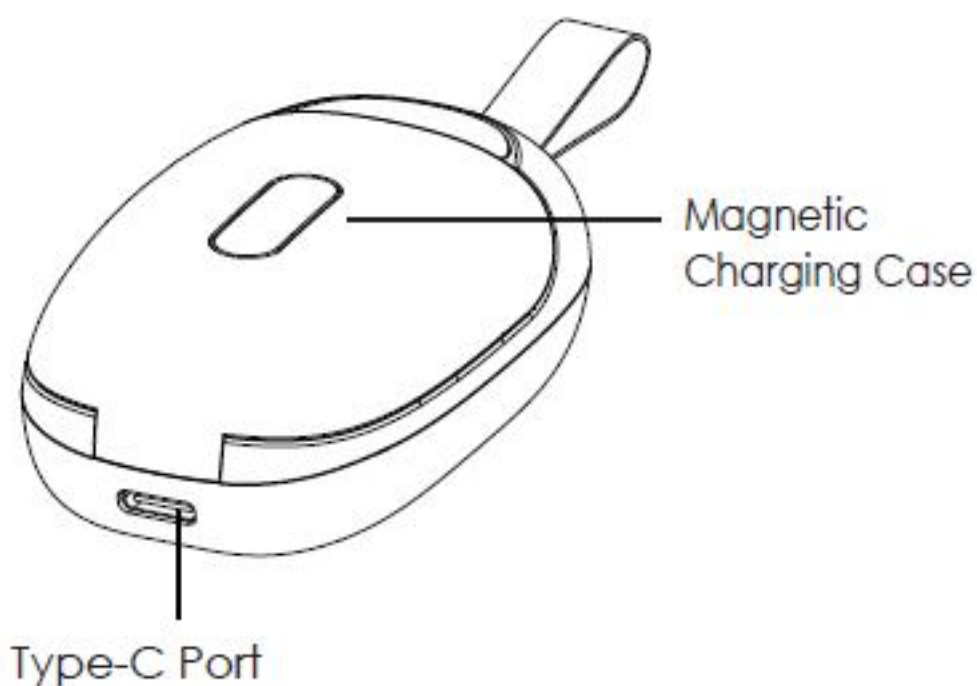
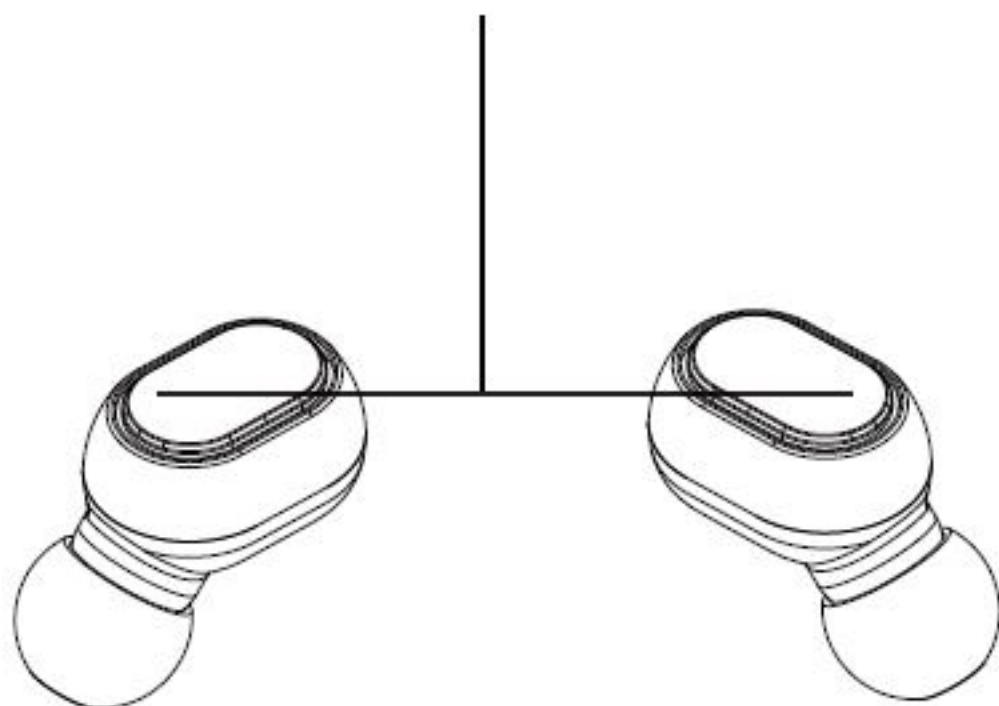
Basspods 881

True Wireless Stereo Earbuds

User Manual

Button Operations:

Multi-Function Button (MFB)



Note: Please always carry the Charging case along with the earbuds

1. **Power ON:** Press MFB for 3 seconds on each earbuds which will be followed by blue light flashing on the earbuds or directly take out both the earbuds from the charging case. After getting power on you will hear the voice prompt "Power On".

2. **Power OFF:** Press MFB for 5 seconds on left or right of earbud which will be followed by red light flashing or directly place both the earbuds into the charging case. You will also hear the voice prompt "Power Off" before getting in off mode.

3. **Next Song:** Press MFB twice on either earbud.

4. **Previous Song:** Press MFB thrice on either earbud.

5. **Play/Pause Music:** Press MFB once on either earbud.

6. **Call Receive/Hangup:** Press MFB once on either earbud.

7. **Reject Call:** Press MFB for 2 seconds on either earbud.

8. **Google Assistance/Siri:** Press MFB for 2 seconds on either earbud followed by "didi" sound.

Note: Please always carry the Charging case along with the earbuds.

Bluetooth Connection:

1. Turn on both the earbuds, both will flash blue & red light alternatively.
2. Wait until both the earbuds gets paired to each other. Once they get paired only 1 earbud will flash blue & red light alternatively.
3. After matching L & R earbuds you will hear the voice prompt as "pairing" that means device is in "ready to pair" mode.
4. Turn on the Bluetooth of your phone or device.
5. Search for "pTron TWS" in the available Bluetooth device list and click to connect.
6. After successful connection you will hear the voice prompt "pTron TWS is Connected".

Re-connection:

After turned on, the earbuds will re-connect to the last paired device. If there's no prior connection history, or it fails to reconnect to any device then the earbuds will enter standby mode and wait for connection.

Connection Lost:

When your phone turns off the Bluetooth feature or is out of the wireless range. The earbuds will enter standby mode. If the connection is not restored within 5 minutes then earbuds will turn off automatically.

Auto Power Off:

The device will automatically shut down if there is no connection for 5 minutes or the earbuds battery gets discharged. Once the battery level of earbuds becomes low up to 10% it will prompt as "Battery low" and the red light will flash in every 5 seconds.

Note: Keep the earbuds on charging when you hear battery low voice prompt.

Charging:

1. To charge the earbuds, place them into the charging case properly. During charging, earbuds will flash steady Red light.
2. After getting fully charged earbuds light will turn to blue and then light will turn off in few seconds.
3. To charge the charging case, plug the Type-C USB cable into the charging port. You can use any DC5V/1A adaptor for charging the case. LED display will show the available battery percentage in the charging case.

Troubleshooting:

1. Bluetooth not searching : If your phone doesn't find the "pTron TWS" in your device then make sure that earbuds must be nearer to the device at 1 meter range. Earbuds must be flashing blue & red light alternatively on any one piece and if it is flashing only blue light for once in regular intervals that means earbuds are already connected with some other device.

2. Auto-disconnection: Make sure that earbuds are fully charge to 100%. Reconnect your device after restarting your phone & Bluetooth earbuds otherwise reset your phone Bluetooth settings.

3. Device connected but no music or call works: Check the settings of your Bluetooth connection and make sure that call & music function must be activated.

4. Single Earbud Plays: If only 1 earbud plays then follow the below steps.

(i) Un-pair the previously paired "pTron TWS" from your phone or device & turn off Bluetooth of your device.

(ii) Now take out both the earbuds together from the charging case & wait until they get matched to each other.

(iii) Now turn on the Bluetooth of your device and add a new connection of “pTron TWS”.

5. Mono Use: Take out any one piece from the charging case & search “pTron TWS” on your phone or Bluetooth device and click to connect.

Disclaimer:

The colors and specifications shown/mentioned in the user manual may differ from the actual product. Images shown are for representation purpose only. Other product logos and company names mentioned herein may be trademarks or trade names of their respective owners.