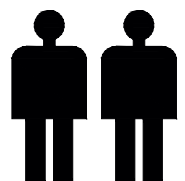
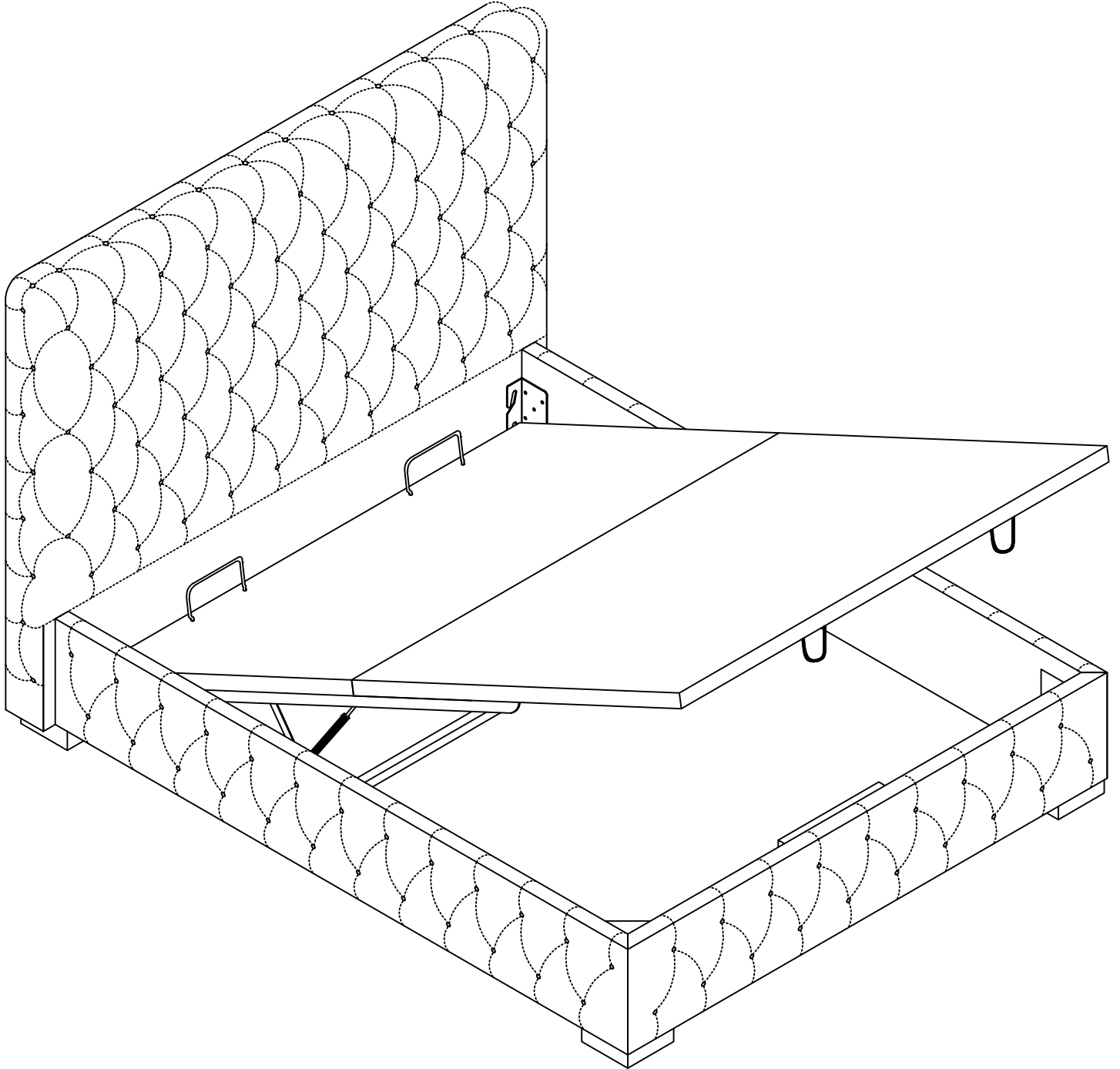
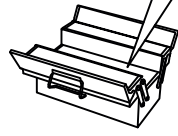
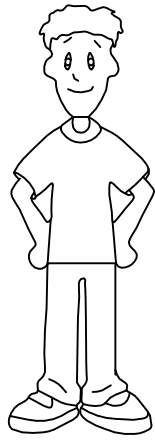


Assembly & Care Instructions

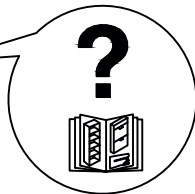
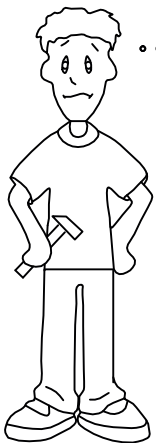
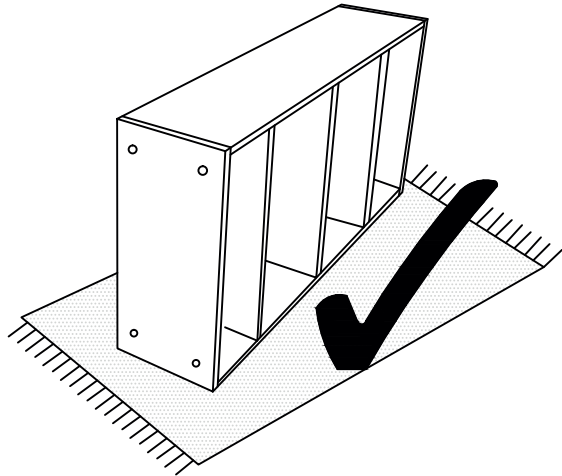
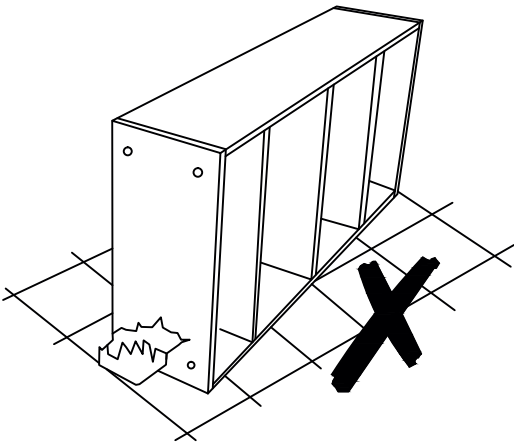
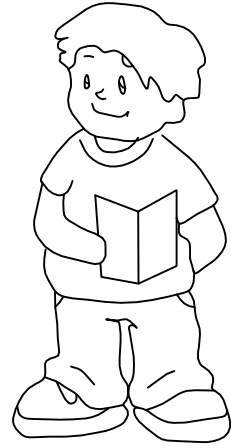
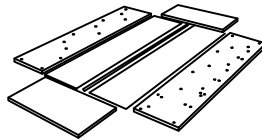
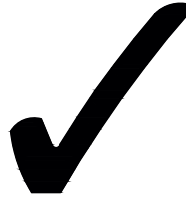
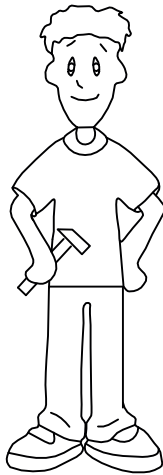
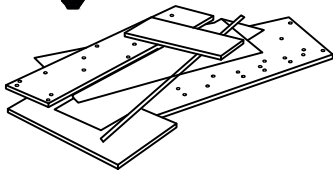
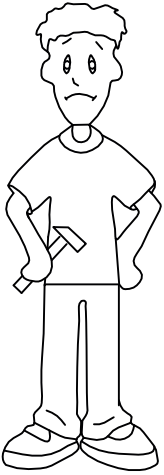
All Buttoned Lift Up Ottoman Bed



TWO PERSONS HANDLING



No Extra
Tools Required



Service Department
Orders@idealfurn.com

Safety Advice

Please read these instructions carefully before you begin, when finished store safely for future reference.

It would be sensible to lay down a sheet or blanket on the floor in the room you are going to assemble the product in, this will help to avoid scratching the product and will help to protect the floor.

If the product is going to be used on a wood, laminate or tiled floor, we would recommend the use of anti-slip pads, these are available cheaply in most good hardware stores.

Unpack the product carefully, inspect all parts and check all the parts are in the box remembering some parts are in the back of the headboard, check all hardware and make sure all numbers match the AI.

We strongly recommend that children are kept out of the area where the bed is being assembled as there are several small parts that could present a choking hazard.

Do not use any power tools in the assemble of this bed at ANY time.

When you start to assemble the product, we recommend you put all small parts i.e. nut,
D
bolts till your product is fully assembled. Do not tighten the bolts fully until the bed has been completely built.

Gas Lift Pistons

When you fit the piston, you **MUST** put the wide black end at the top and thin end towards the floor, as per drawing on the instructions.

When you use for the first time the piston will feel stiff and hard to push down. Use both handles to open and close a few times to soften up, never open without the mattress on, as the pistons are set for a mattress to be used at all times.

Safety Warning

The storage space is not a child play area, for the safety of your child or children, please ensure they do not try to open or close the gas lift.

The design and construction of the base is made to only work with a mattress on top, do not sleep on the base without a mattress.

Every 3 months re-tighten the bolts to make sure they have not worked loose.

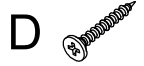
Make sure all 4 feet are in contact with the floor, if not use the adjustment on the feet to make it happen.

If for any reason you want to move the product to a different location the bed **MUST** be fully dismantled first to prevent damage.

HARDWARE



M8 x 25 mm (28 pcs)



SCREW 5 x 50 mm (8 pcs)



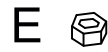
FLAT WASHER (38 pcs)



SPANNER (1 pcs)



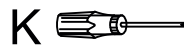
M8 x 40 mm (22 pcs)



CHECK NUT (4 pcs)



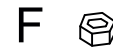
FLAT WASHER (LARGE) (5 pcs)



SCREWDRIVER (NOT PROVIDED) (1 pcs)



M8 x 90 mm (5 pcs)



NUT (5 pcs)

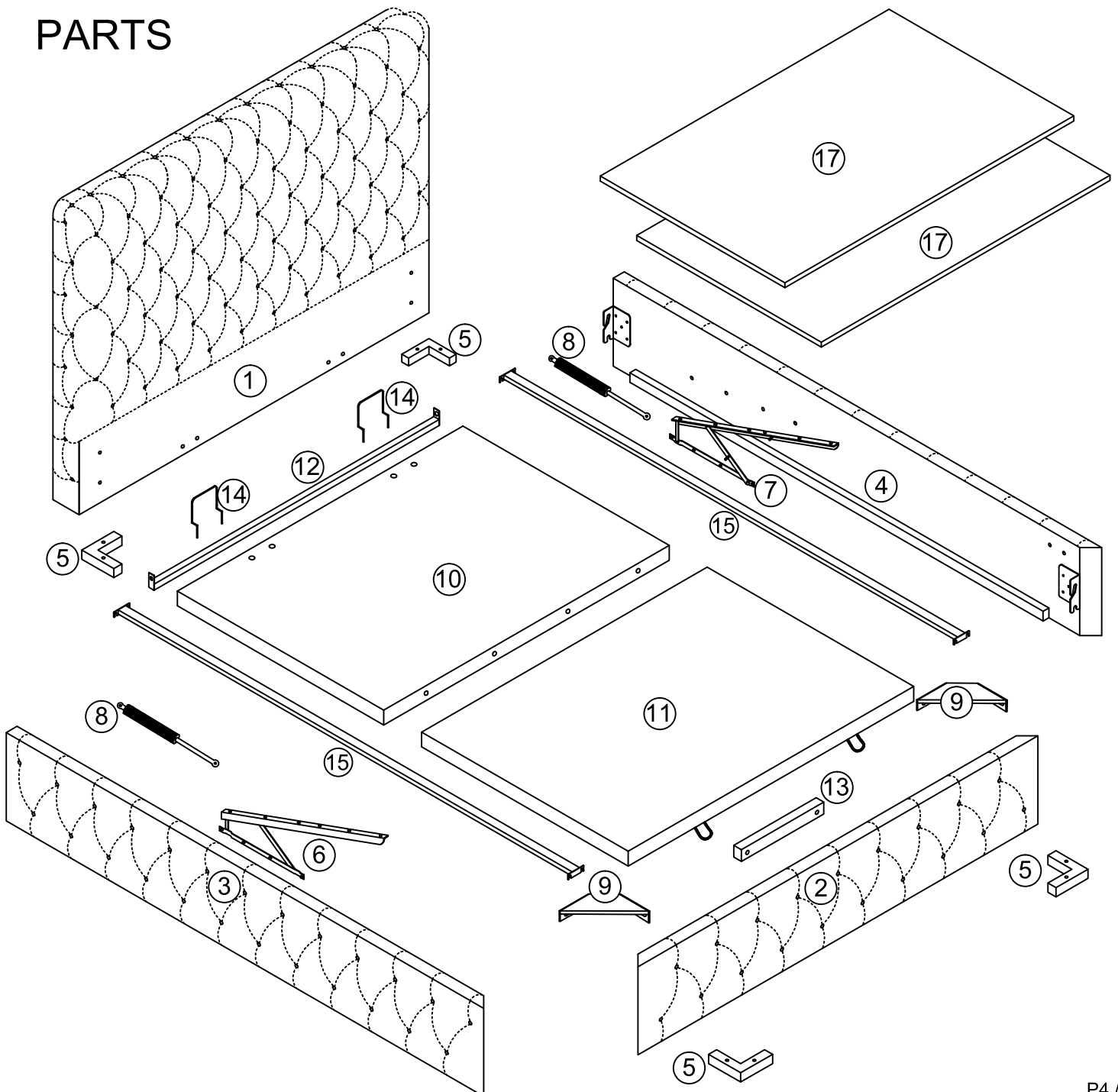


5mm ALLEN KEY (1 pcs)

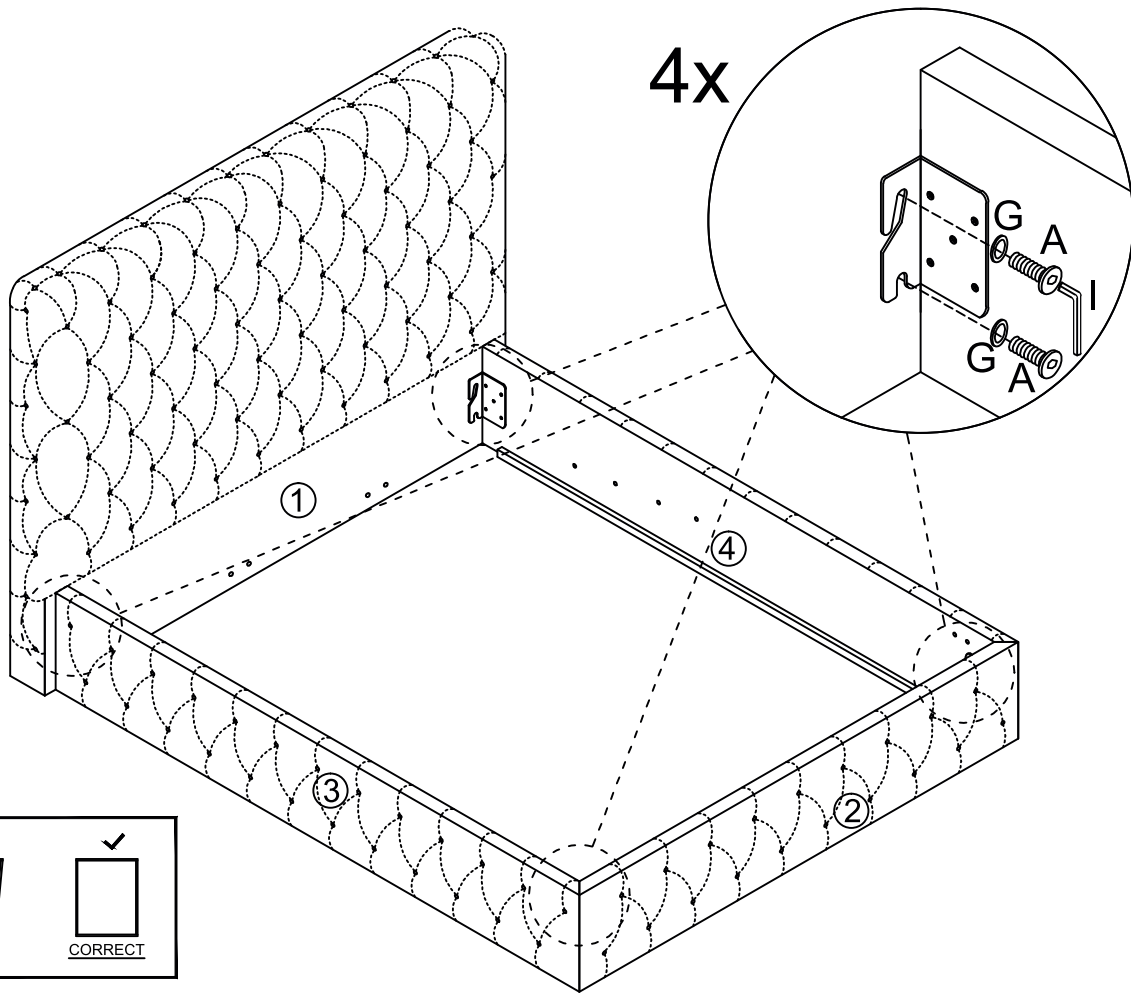
ATTENTION: Item A & G for the headboard and footboard have had 16 of each already fitted in to position.

Please double check before reporting short.

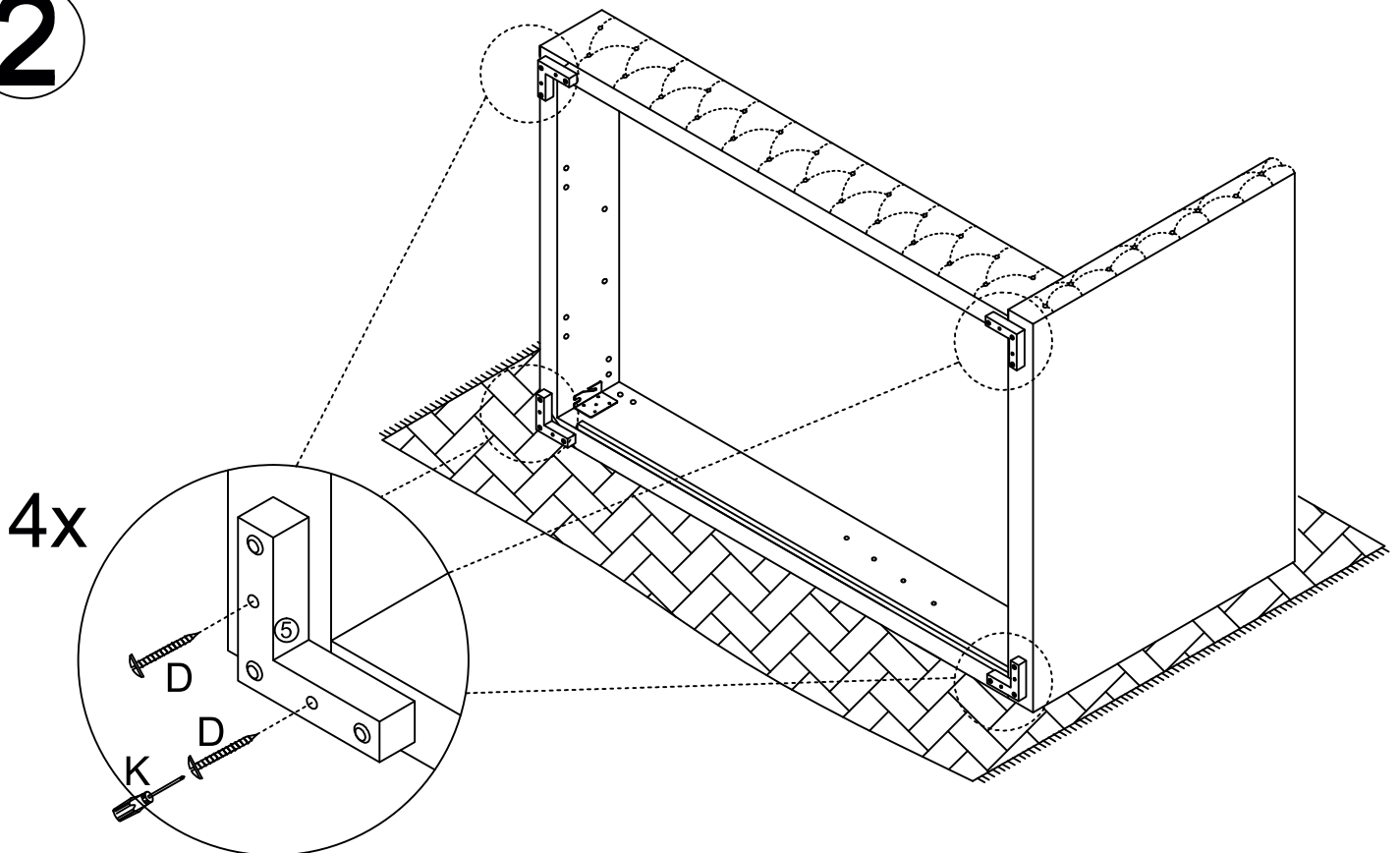
PARTS



1

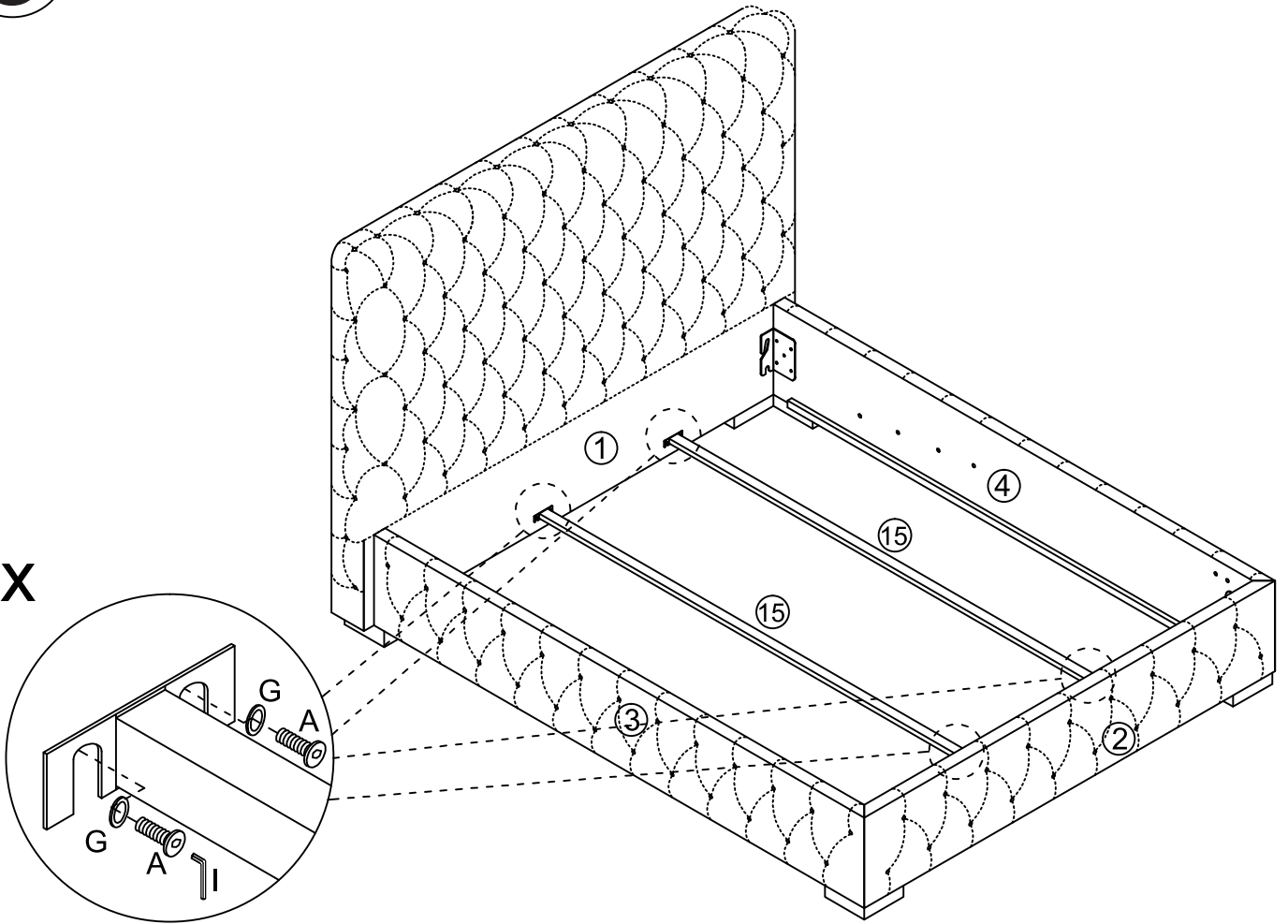


2

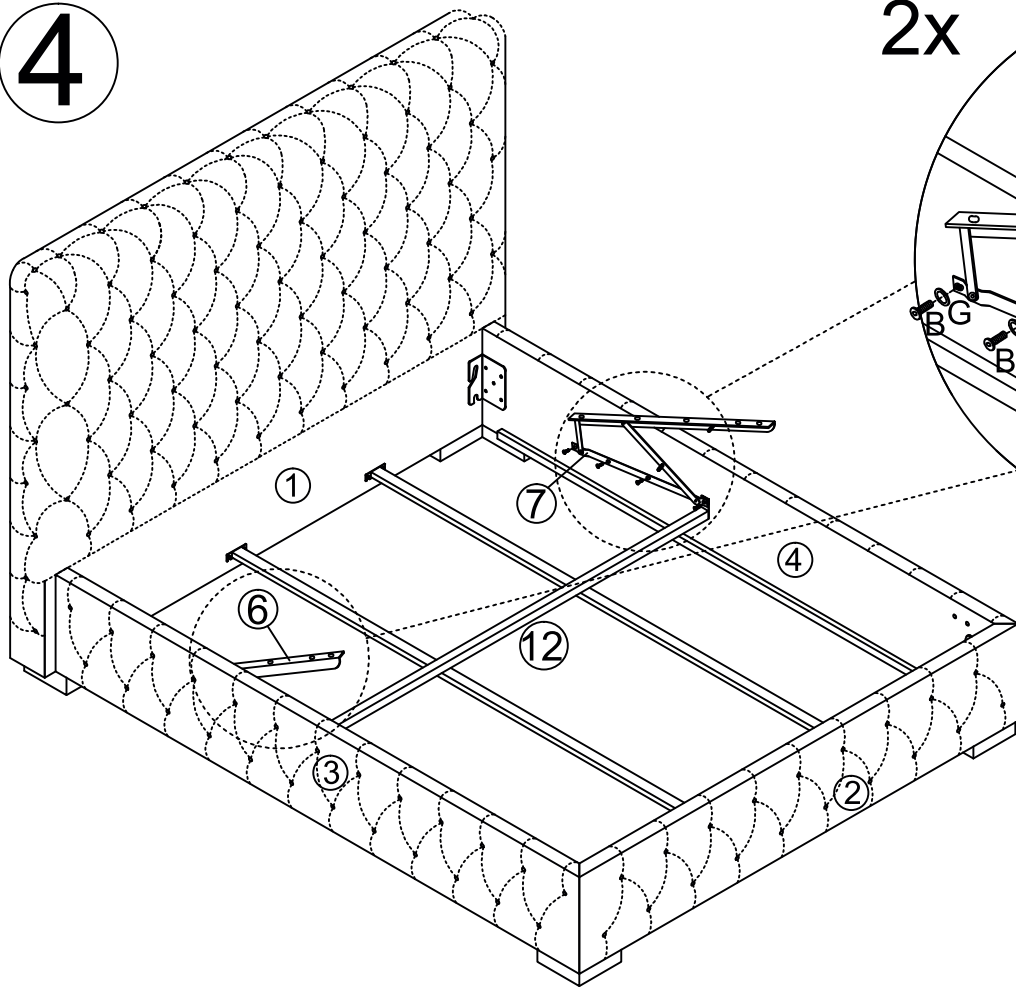


3

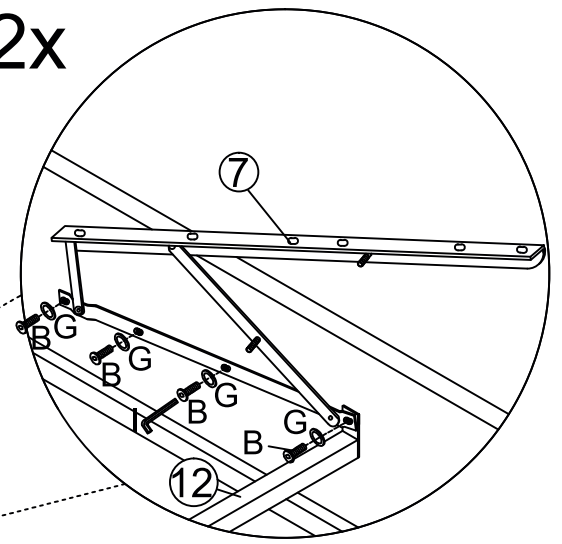
4x



4

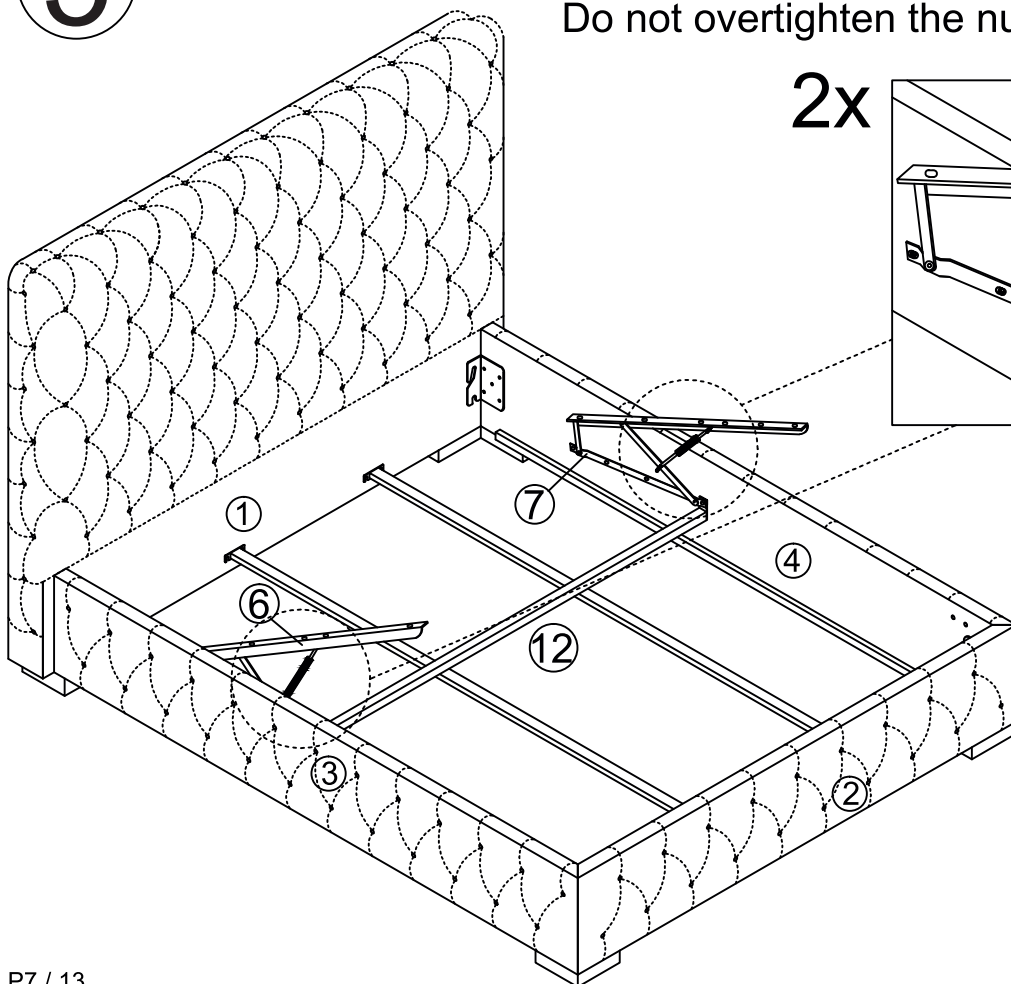


2x

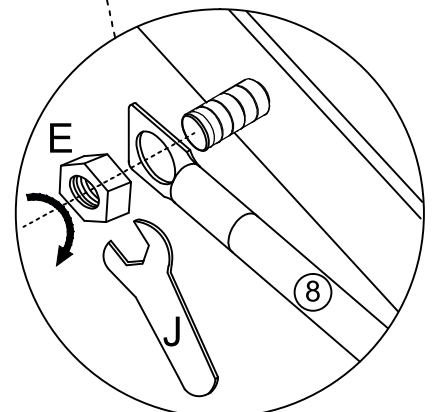
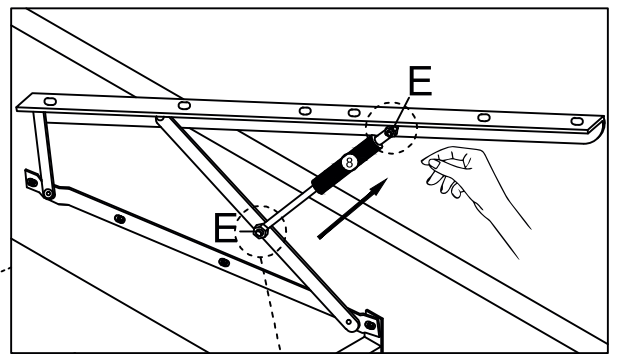


5

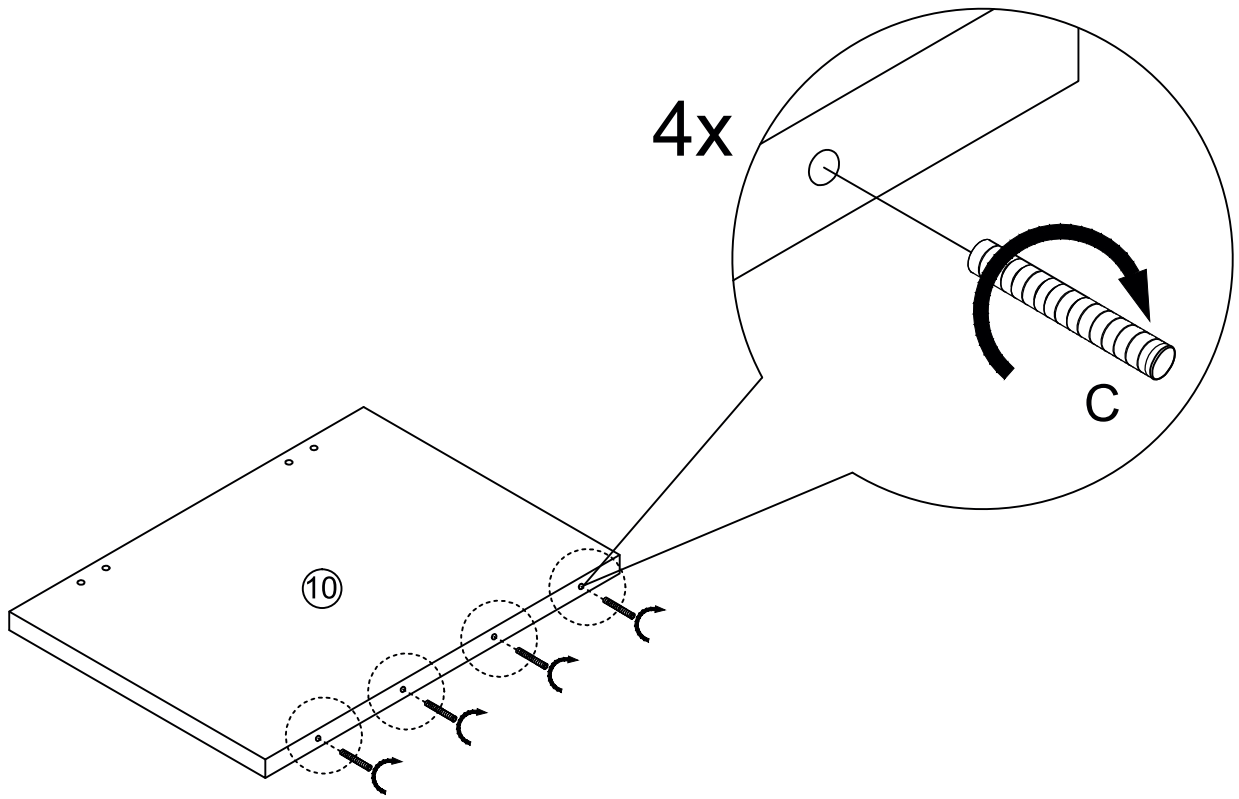
ATTENTION: The piston must be fitted wide end to the top as shown in the Assembly Instruction. Do not overtighten the nuts.



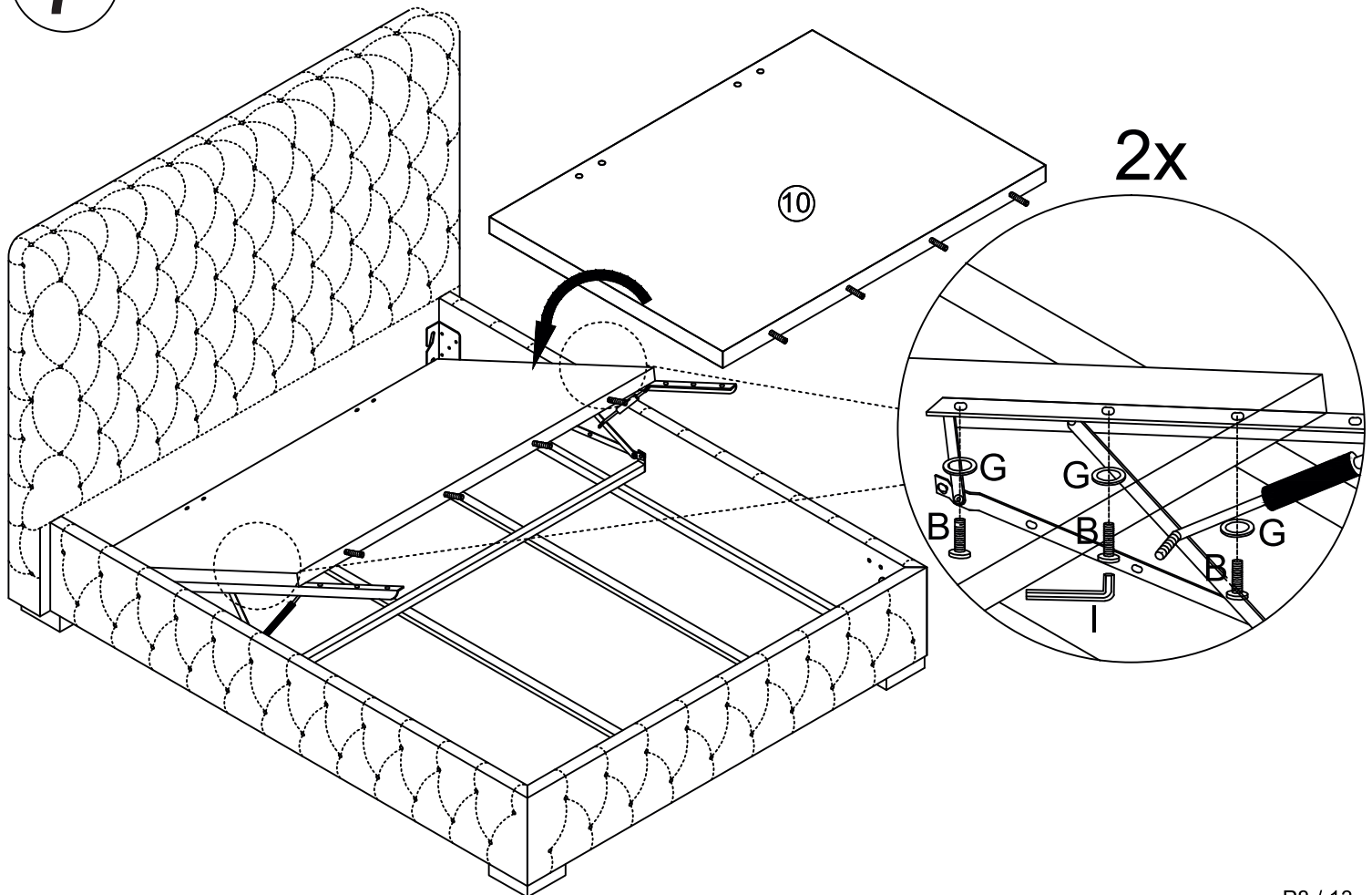
2x



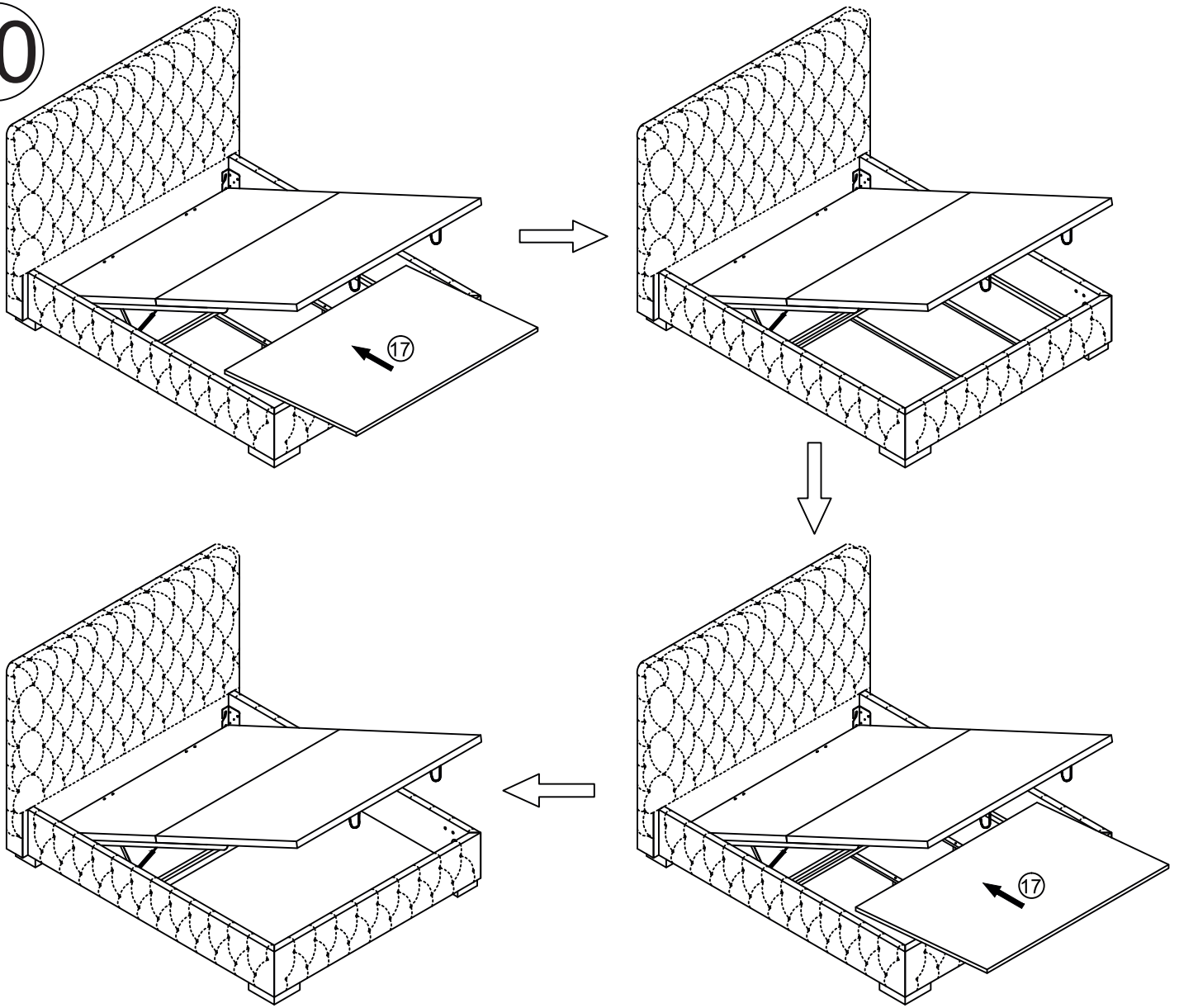
6



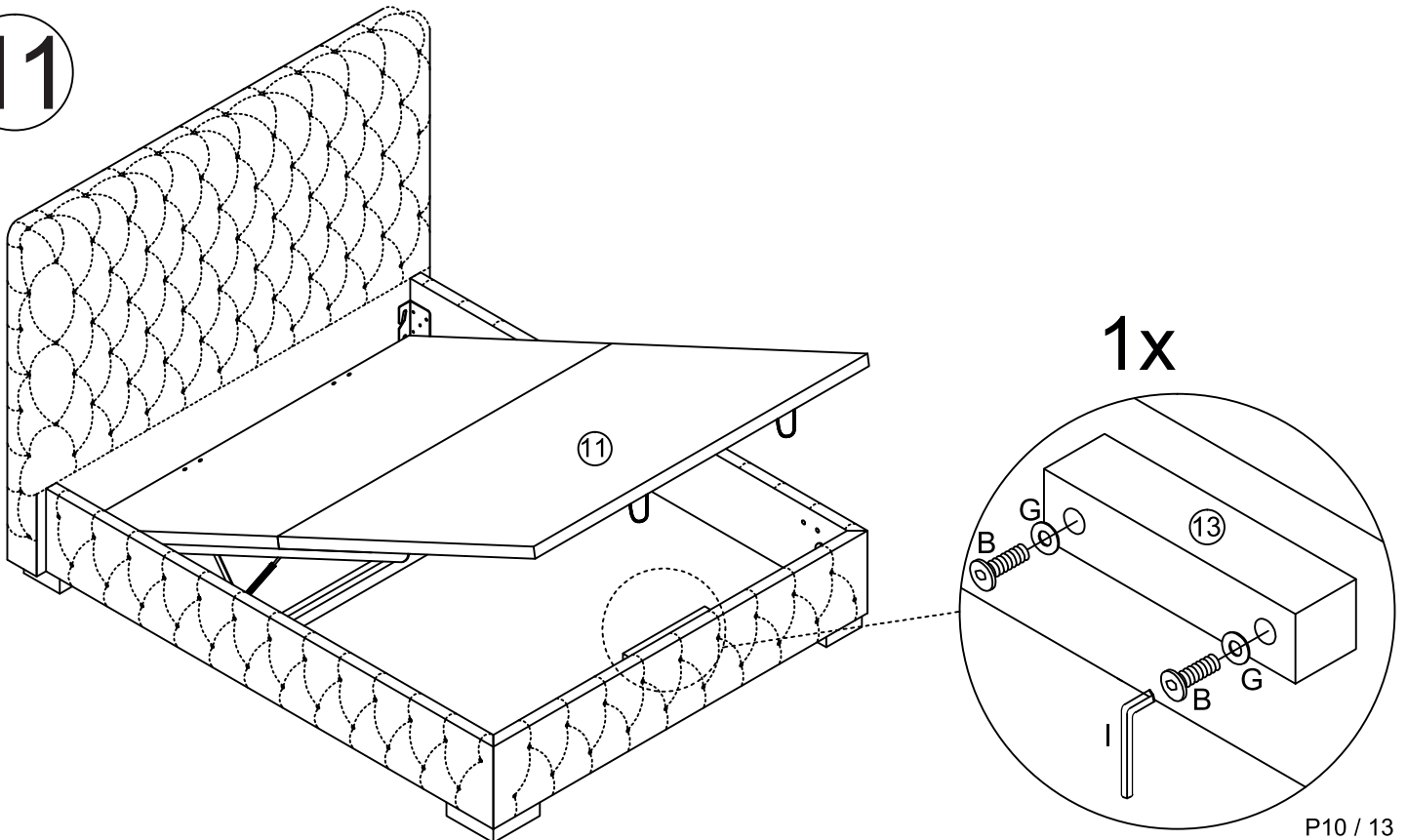
7



10

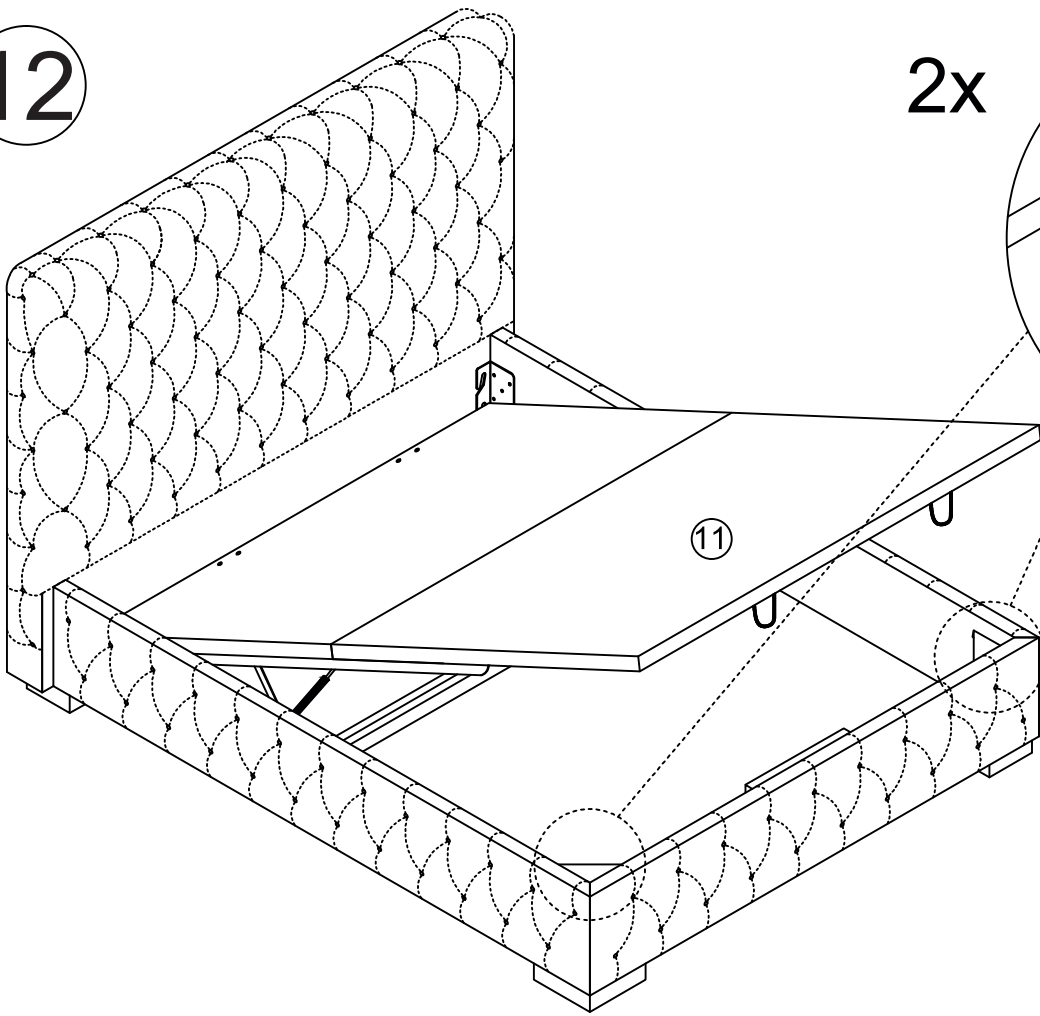
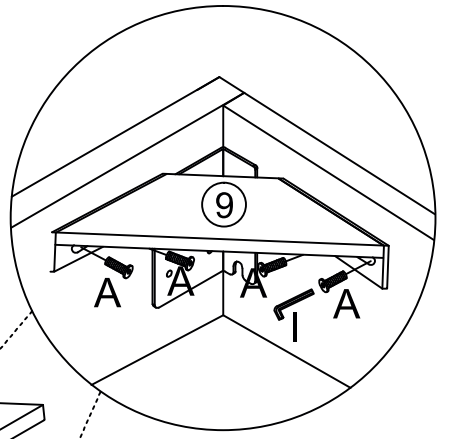


11



12

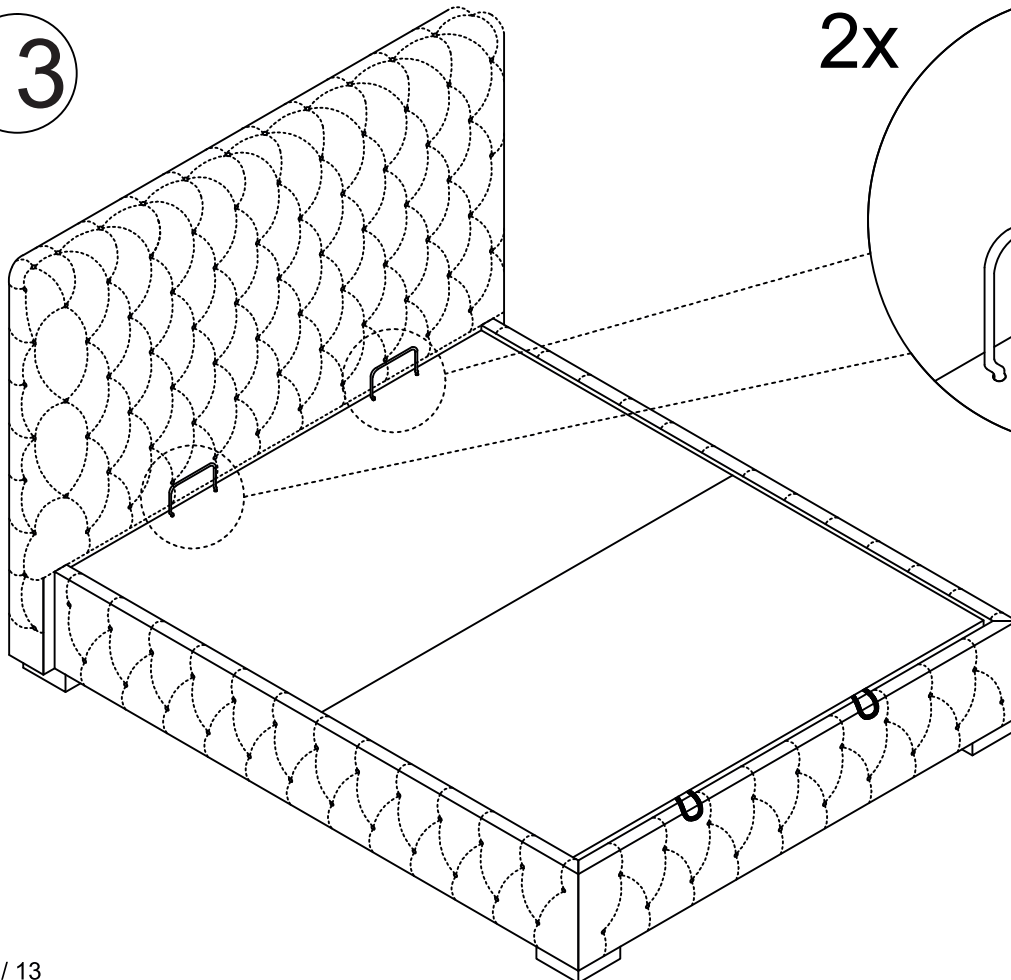
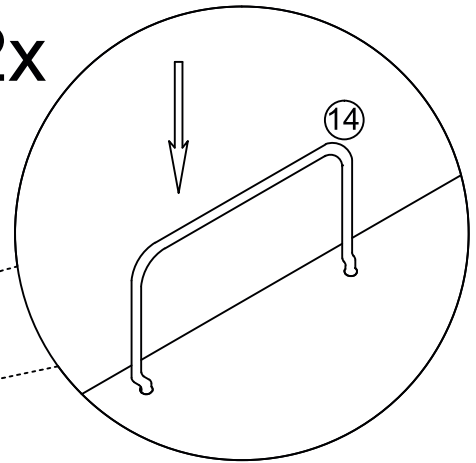
2x



The base of this bed is made from wood and will bend very slightly over time. This is quite normal but will not affect your sleep.

13

2x



General Care

Vacuum the fabric area on a regular basis to take out any surface dust or grit.

Avoid the use of all household cleaners and abrasives.

Never drag or push the pieces across the floor as this will cause damage to the joints and could result in failure to the product that will invalidate the warranty.

Always lift the product when moving.

Never rub hard on the fabric to get a stain out. If you can't remove it with a clean damp white cloth, seek for professional advice.

Never sleep on the base without a mattress fitted, they are made to work together.

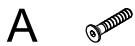
Notes

We've tried to make this piece of furniture as easy to assemble as possible.

In the unlikely event that you have problems putting it together or have damaged or missing pieces, please contact your supplier.

If for any reason you need to contact your store, please give them Batch No. & Parts No. of the item you have an issue with, this will save time in solving you query.

The Batch No. is a number on a thin strip i.e. AF19-57 and can be found on the inside of the Footboard, or on the wall side of Headboard.



M8 x 25 mm (28 pcs)



SCREW 5 x 50 mm (8 pcs)



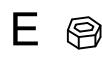
FLAT WASHER (38 pcs)



SPANNER (1 pcs)



M8 x 40 mm (22 pcs)



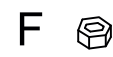
CHECK NUT (4 pcs)



FLAT WASHER (LARGE) (5 pcs)



M8 x 90 mm (5 pcs)



NUT (5 pcs)



5mm ALLEN KEY (1 pcs)

CARELESSNESS CAUSES FIRE

BATCH NO: ID- xx-xx

FABRIC CONTENT 100% POLYESTER
Item contains PU foam fillings which pass the Schedule 1 Part 1 test
Item contains cotton fabrics which pass the appropriate tests specified in the Furniture and Furnishings (fire) (Safety) Regulations 1988.
The item does not include a Schedule 3 interliner.

MADE IN TURKEY

