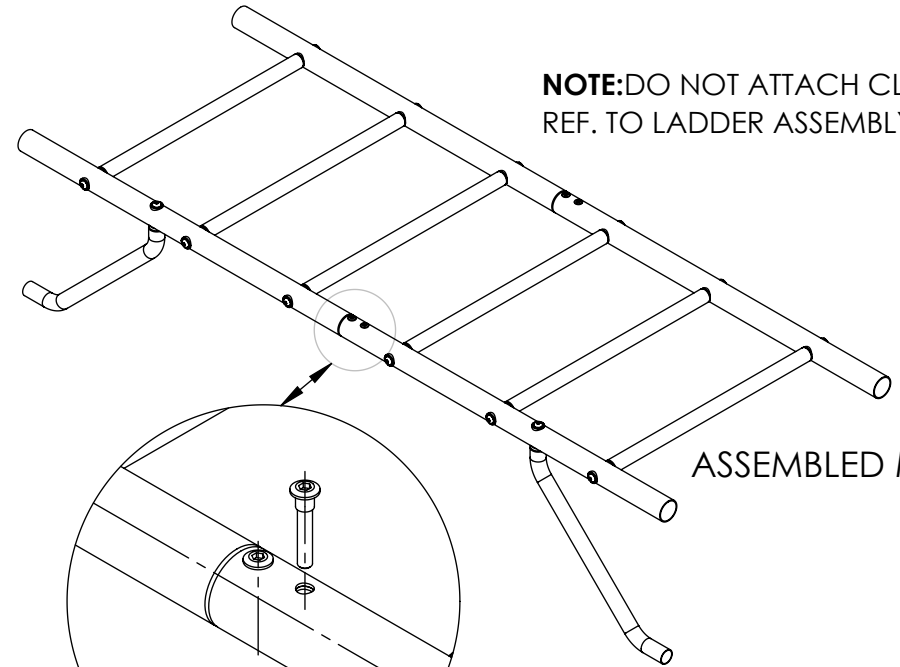


PARTS LIST AND EXPLODED VIEW

#	PART NUMBER	DESCRIPTION	QTY.
1	CP20ZK1H	Rung rail LH male with hole for part 10	1
2	CP20ZK1	Rung rail male RH	1
3	DB2R	Monkey Rung	6
4	20MRCW1	M10 Concave Washer	14
5	B1035BH1	M10 x 35 S/S Bolt	14
6	CP20ZK2H	Rung rail LH female with hole for part 10	1
7	CP20ZK2	Rung Rail	1
8	BC1040F	M10 Chicago Female	4
9	BC1040M	M10 Chicago Male	4
10	CF20CB2	Cross Brace 1	2
12	101-4234 Tee	42/48 Short tee	2
15	101-48 Tee	48 Short tee	4

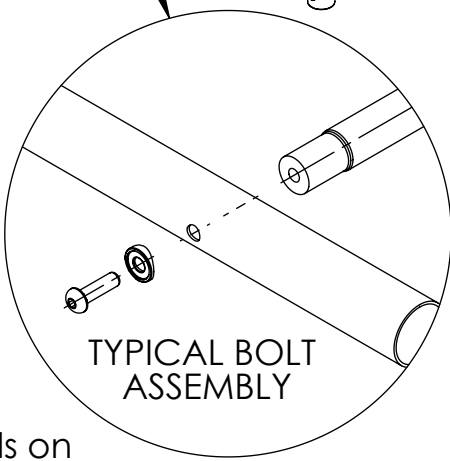


NOTE: DO NOT ATTACH CLAMPS 12 & 15. REF. TO LADDER ASSEMBLY INSTRUCTIONS.

ASSEMBLED MONKEY BARS


MR1800KIT ASSEMBLY
MR2400KIT ASSEMBLY P.T.O

Assembly: Insert rungs into rails on a flat surface and hand tighten. Check before fully tightening.



TYPICAL BOLT ASSEMBLY

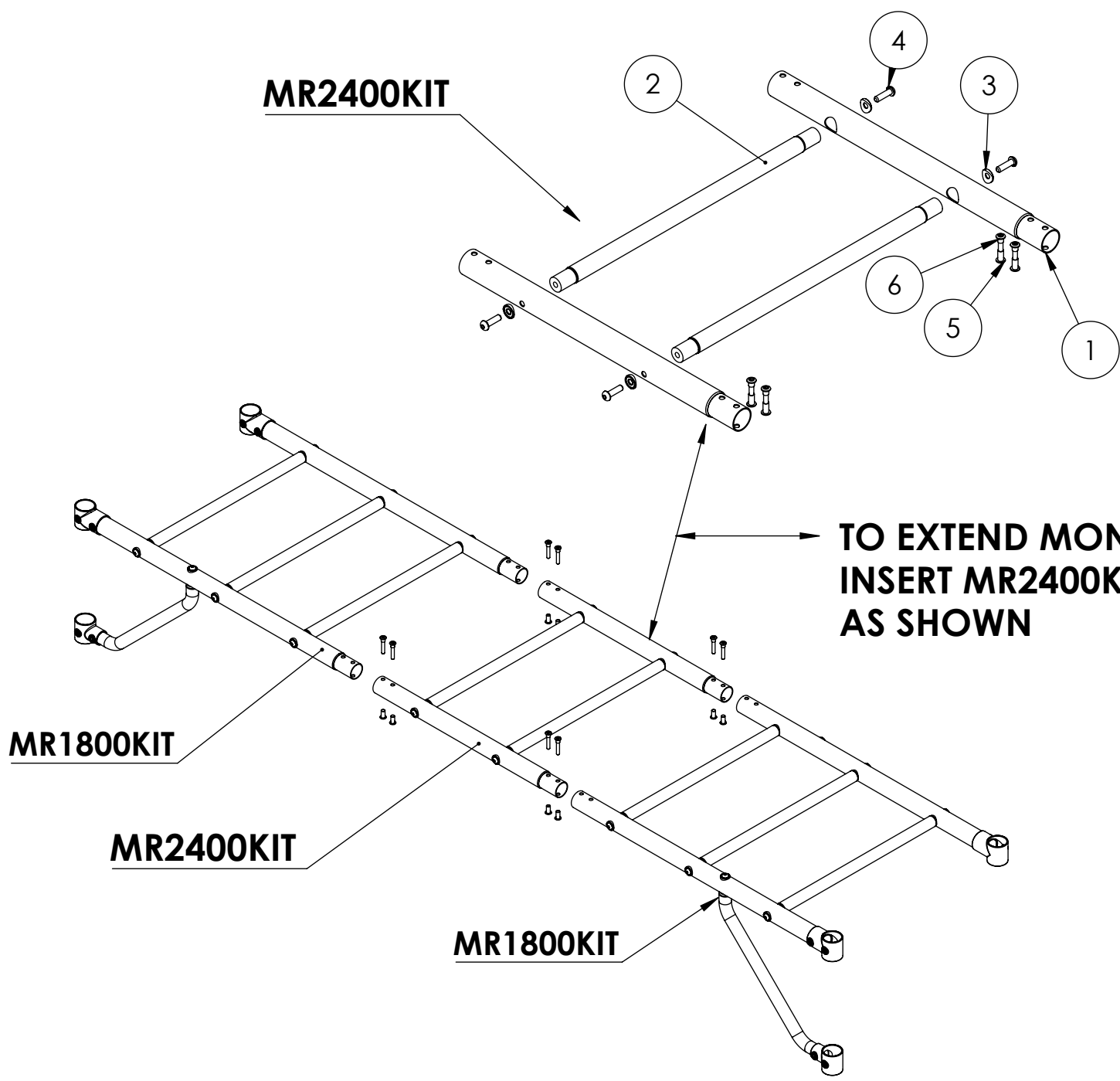
!! ATTENTION !!
CHECK ASSEMBLY BEFORE TIGHTENING



ASSEMBLY INSTRUCTIONS

TITLE: MONKEY RUNG 1800

PART #: AMR1800KIT REV: A



ITEM NO.	PART NUMBER	DESCRIPTION	QTY.
1	CP20ZK3	Rung Rail	2
2	DB2R	Monkey Rung	2
3	20MRCW1	M10 Concave Washer	4
4	B1035BH1	M10 x 35 S/S Bolt	4
5	BC1040F	M10 Chicago Female	4
6	BC1040M	M10 Chicago Male	4

MR1800KIT

MR2400KIT

MR1800KIT

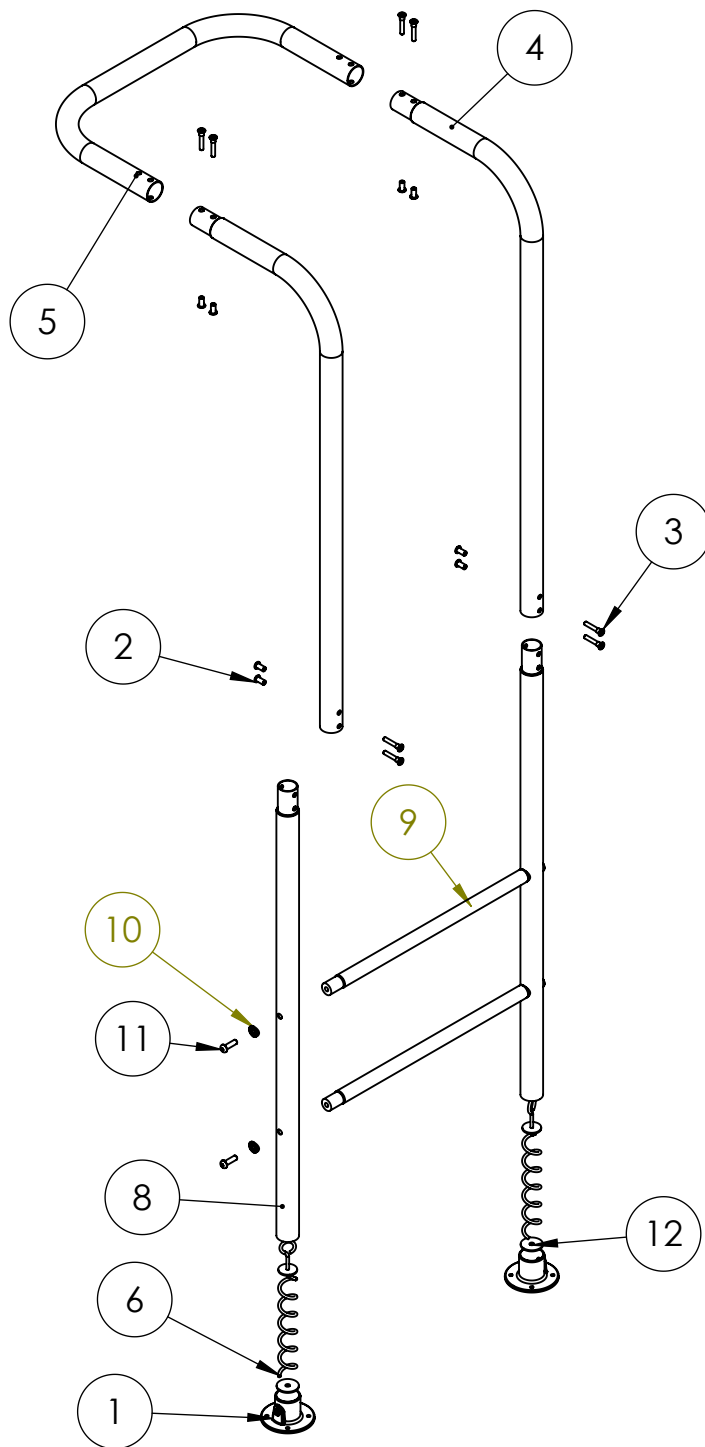
**TO EXTEND MONKEY BARS,
INSERT MR2400KIT BETWEEN MR1800KIT
AS SHOWN**



ASSEMBLY INSTRUCTIONS

TITLE: MR2400KIT EXTENTION

PART #: AMR2400KIT REV: A



ITEM NO.	PART NUMBER	DESCRIPTION	QTY.
1	G131-D	base plate	2
2	BC1040F	M10 Chicago Female	8
3	BC1040M	M10 Chicago Male	8
4	SN2048BT	Bent Tube	2
5	SN2048BET	Bent End Tube	1
6	GA1	Ground Anchor	2
8	SN2048LBUM	Ladder bottom Male	2
9	DB2R	Monkey Rung	2
10	20MRCW1	M10 Concave Washer	4
11	B1045BH1	M10 x 45 BUTTON HEAD S.S SCREW	4
12	GAWASHER	WASHER	2

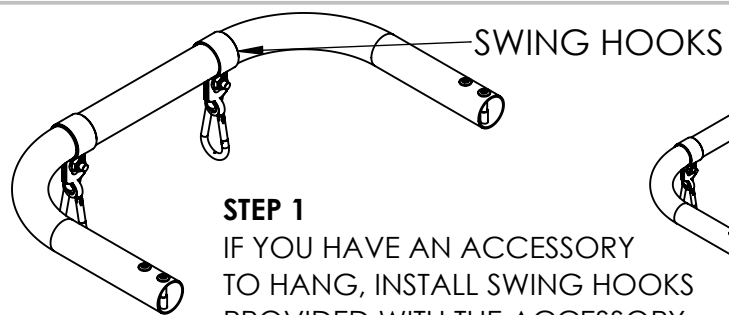


ASSEMBLY INSTRUCTIONS

TITLE: LD2 LADDER PARTS

PART #: ALD2-1

REV: A



SWING HOOKS

STEP 1

IF YOU HAVE AN ACCESSORY TO HANG, INSTALL SWING HOOKS PROVIDED WITH THE ACCESSORY ON TO TUBE AND CONNECT TO PART 4 WITH BOLTS 2 & 3.

**IMPORTANT NOTE !!!
ONLY HAND TIGHTEN ALL BOLTS
UNTIL FULLY ASSEMBLED.**

**MK1800KIT MONKEY RUNGS SHOWN
FOR POSITION ONLY. NOT INCLUDED
IN LD2 KIT.**

STEP 2

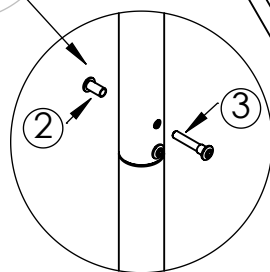
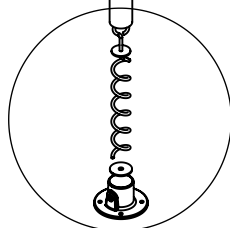
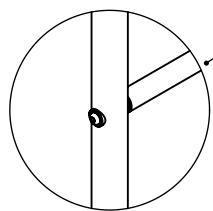
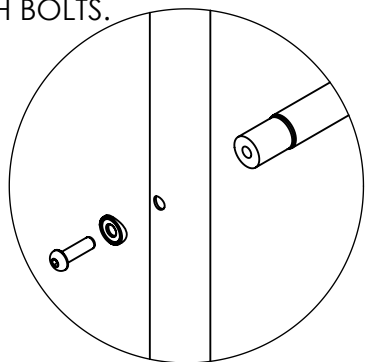
POSITION THESE CLAMPS 12 & 15 FROM **MK1800KIT** ONTO FRAME AND POSITION WITH MONKEY BAR RUNGS. NOTE LOWER CLAMP IS REDUCING.

⑮ 48/48
CLAMP

⑫ 48/34
REDUCING CLAMP

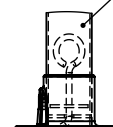
STEP 3

ASSEMBLE LOWER LADDER AS SHOWN AND CONNECT INTO UPPER TUBES WITH BOLTS.



STEP 4

POSITION FRAME THEN REMOVE LEAVING METAL FEET IN POSITION. SCREW GROUND ANCHOR THROUGH WASHER AND FOOT TO SECURE. PLACE FRAME BACK INTO FEET AND TIGHTEN GRUB SCREW.



ASSEMBLY INSTRUCTIONS

TITLE: LD2 ASSEMBLY

PART #: ALD2-2

REV: A