



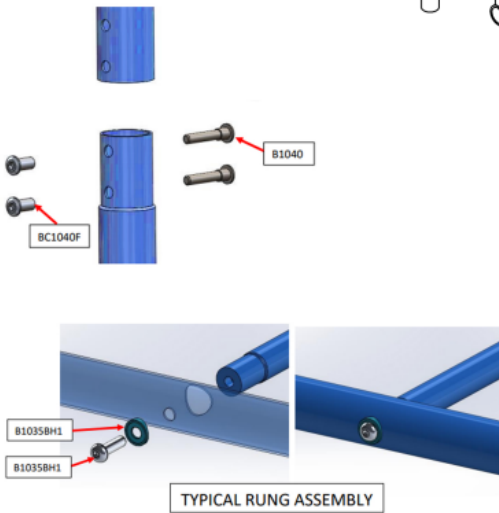
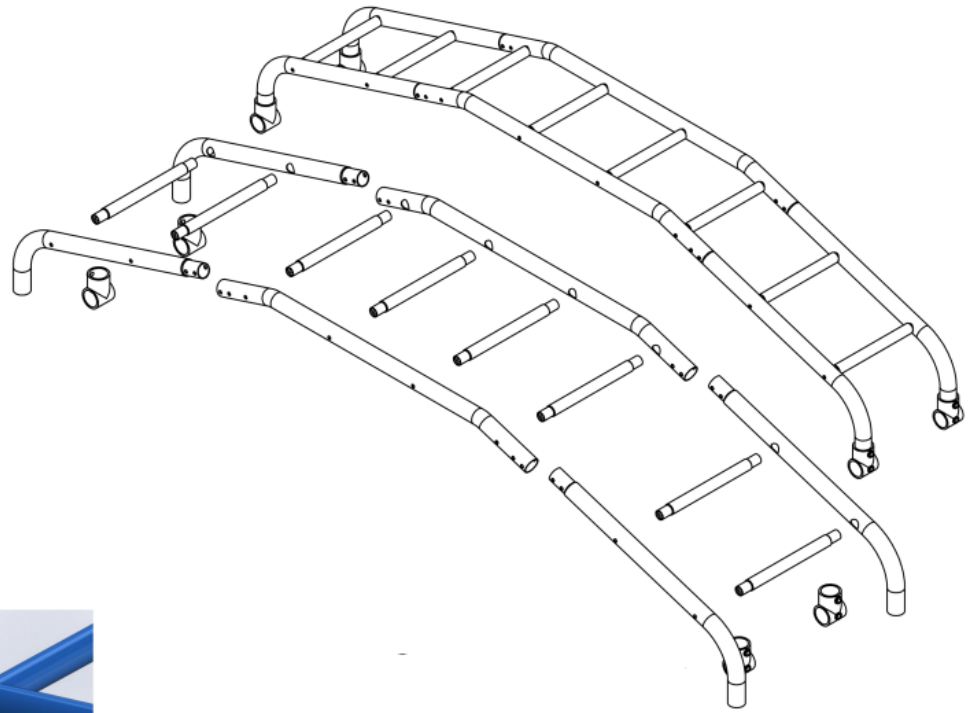
## Assembly Instructions MB1 Monkey Bridge



**IMPORTANT:** Please make sure to carefully follow these instructions. Ensure that all parts are securely fastened with nuts and bolts. Additionally, it is essential to have adult supervision present at all times during the use of the equipment. At Growplay, we prioritize safety and take it seriously.

8 X CHICAGO BOLTS  
16 X M10 X 35MM S/S BOLTS  
16 X CONCAVE WASHER

# Monkey Bridge - MB1



STEP 1: Assemble the left and right sides as shown with washers and bolts.

**DO NOT TIGHTEN**



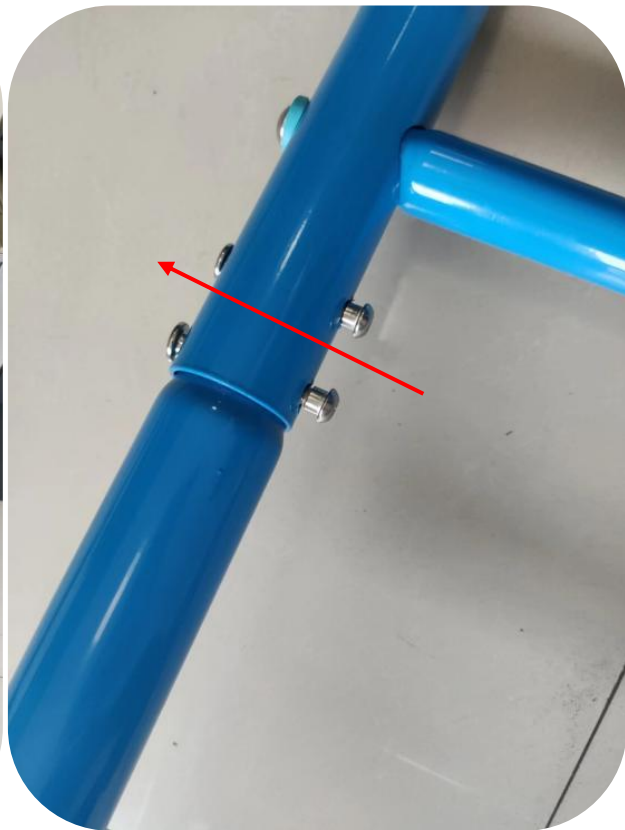
STEP 2: Assemble the middle section as shown with washers & bolts.

**DO NOT TIGHTEN**



STEP 3: Connect the frame sections together and install the Chicago bolts.

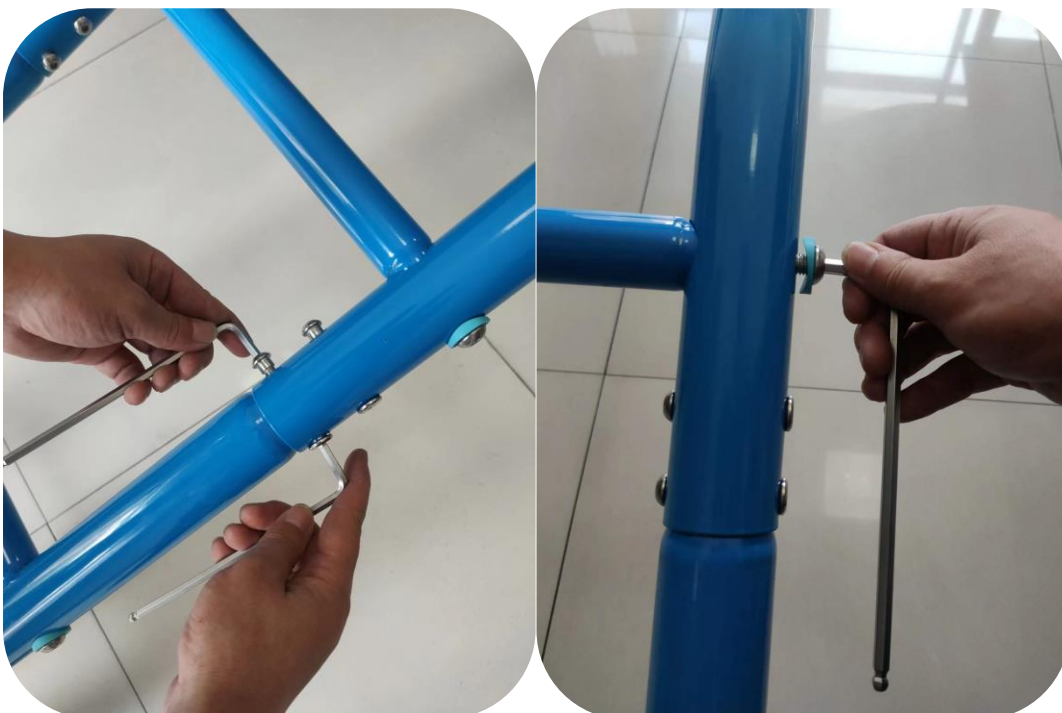
**DO NOT TIGHTEN**



STEP 4: Turn over the frame and place it on a flat surface so that the four points of the tube are on the same plane, as shown in the figure below:



STEP 5: Tighten all the Chicago Bolts first, then tighten the M10\*35 bolt.





STEP 6: Evenly tighten all bolts. The frame may twist slightly which is normal, it will straighten during installation.



STEP 7 : Follow video instructions for installation instructions.

<https://www.youtube.com/watch?v=BOhqQXDbNSY>



**growplay**