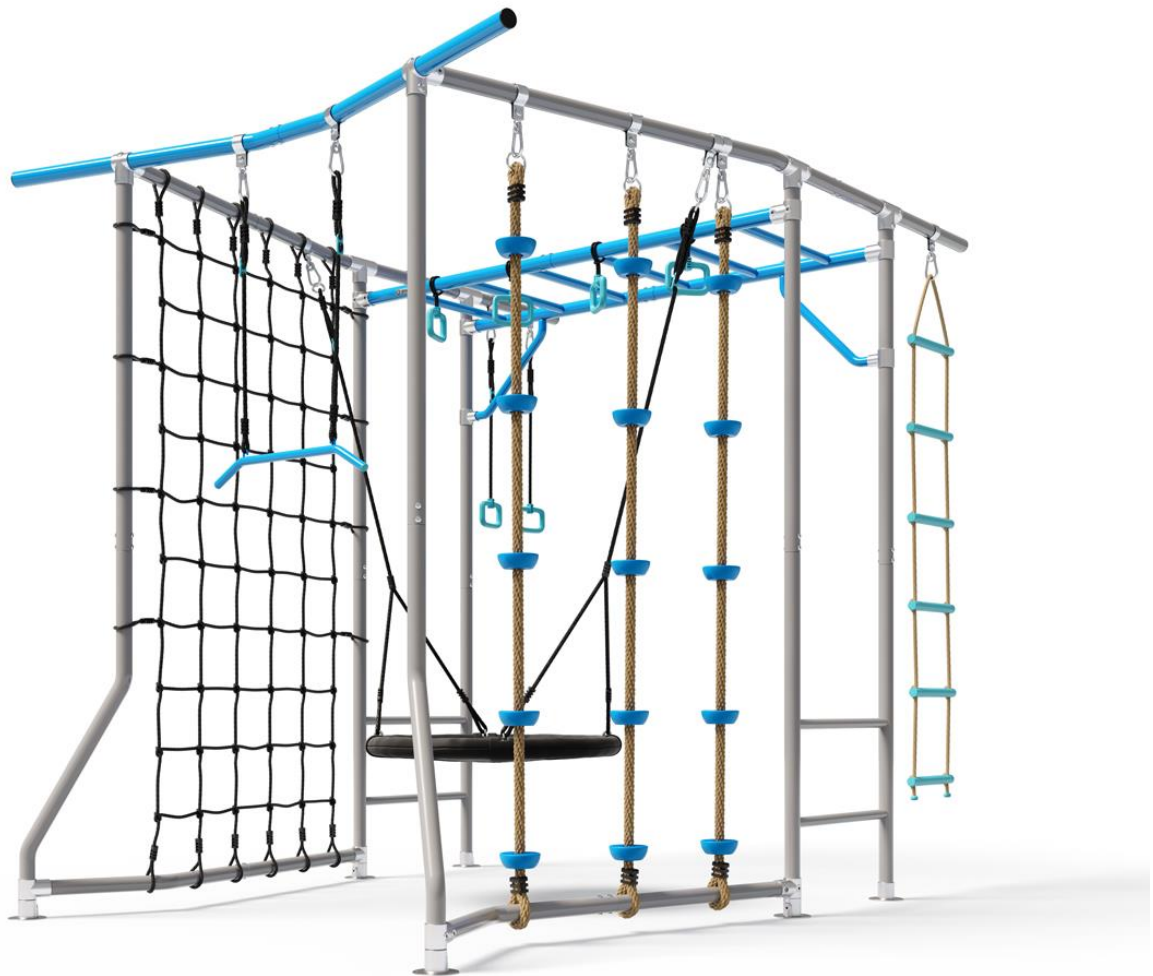




# growplay

## COMPACT FRAME FREE STANDING Assembly, Maintenance and User Instructions Manual



[growplaymonkeybars.com/pages/assembly-installation](https://growplaymonkeybars.com/pages/assembly-installation)

### WARNING!

READ ALL PRECAUTIONS AND INSTRUCTIONS IN THIS MANUAL BEFORE USING THIS EQUIPMENT.

KEEP MANUAL IN A SAFE PLACE FOR FUTURE

TOTAL WEIGHT CAPACITY = 300KG

AGE OF USERS 3+ SAFETY STDS EN71, ATSM 1188, EN1176

### GROWPLAY MONKEYBARS® PTY. LTD.

ABN: 36 627 796 141

P.O Box 2527, Clarkson, WA, 6030

Model: CP20 – REV 3

# BEFORE YOU BEGIN

Thank you for purchasing Growplay Monkey Bars. With regular maintenance, your set will provide many years of backyard fun.

Before you start to assemble your new GROWPLAY MONKEY BAR SET please ensure that you have read this important information and that it is communicated to all users prior to use.

## INSTALLATION WARNING!

**WARNING: THIS DISASSEMBLED PRODUCT MAY CONTAIN SMALL PARTS WHICH POSE A CHOKING HAZARD TO CHILDREN UNDER 3.**

- Read all important precautions and instructions in this manual and all warnings on the equipment to reduce the risk of serious injury.
- It is the responsibility of the owners and supervisors of this equipment to ensure that it has been correctly assembled, anchored, maintained and the users obey the safety instructions.
- This product is intended for use by children AGE OF USERS 3+
- Until the equipment has been correctly assembled and anchored, do not let children use equipment.
- Always use Growplay Monkey Bars under adult supervision.
- It is required that the play equipment be ground anchored with the ground anchor nails provided onto a soft or shock absorbing surface.
- Do not install over concrete or any other hard surface as a fall onto a hard surface could result in serious injury or death.
- Ensure that the equipment is installed on a level surface and no less than 1.8 metres from any structure or obstruction.
- Always inspect the equipment before it is used and replace any worn, defective, or missing parts.
- Ensure that all connectors are regularly checked.

**WARNING: ACCESSORIES MUST ONLY BE ATTACHED IN POSITIONS AS SHOWN IN THESE INSTRUCTIONS. FAILURE MAY RESULT IN DEATH OR SERIOUS INJURY.**

## ELECTROCUTION HAZARD

Growplay monkey bars are made from metal. They are not grounded and will conduct electricity. For obvious reasons and electrocution hazard exists. NO lights, heaters, electrical and extension cords or any household electrical device or appliances are to be permitted on or in the frame at any time.

# FOR THE USER

- Do not use this equipment when under the influence of drugs or alcohol.
- Do not jump on or off the frame.
- Wear clothing that does not have loops, hooks, drawstrings, or anything else that can get caught on the frame.

# USER INSTRUCTIONS

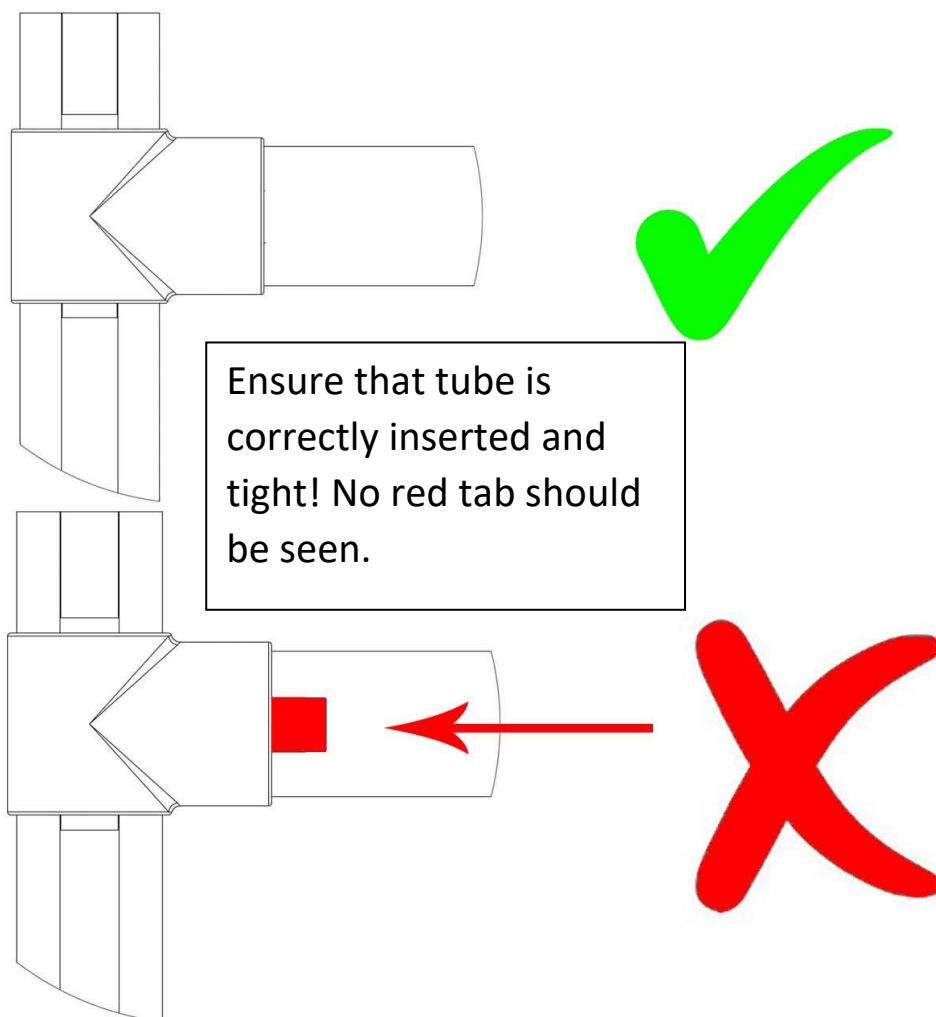
1. GROWPLAY MONKEY BARS are designed for up to 6 persons and not exceeding total weight of 300kg.
2. AGE OF USERS 3+
3. Adult supervision for children of all ages is required at all times.
4. Educate children not let to walk close to, behind and in front, between moving parts.
5. Children are not to use the equipment in any other manner than intended.
6. Teach children not to hop off equipment while in motion or jump from moving play items.
7. Do not twist chains or ropes or loop them over support bars as this may reduce the structural integrity of the rope or chain.
8. Do not allow use of the equipment when it is wet as injury due to slips may occur.
9. Children are to be dressed in appropriate clothing while playing on or around the equipment with correctly fitted and full foot enclosing footwear. Loose fitting items, hood, and neck draw strings etc could potentially cause injury or death by strangulation.
10. Inform children not to attach items to the playground equipment that are not specifically designed or approved for use with the Growplay monkey bar equipment, such as, but not limited to jump ropes, clothesline, pet leashes, cables, and chain as they may cause a strangulation hazard.

# ASSEMBLY: TWO PERSONS

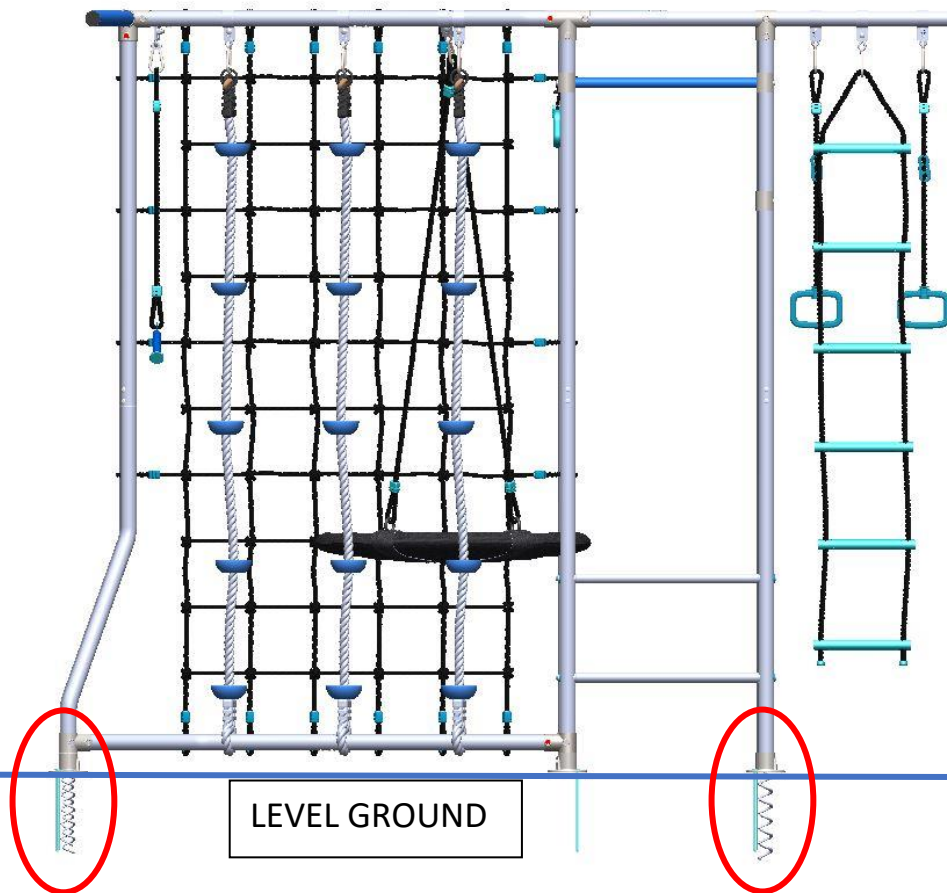


Before starting assembly, please carefully read the following information.

- Two people are required to assemble frame.
- **DO NOT FULLY TIGHTEN BOLTS UNTIL FRAME IS ASSEMBLED.**
- Place all parts in one cleared area and remove the packaging material. Do not throw away material until assembly is complete.
- Dispose of the packaging thoughtfully and ensure any plastic bags and small parts are kept away from children or pets.
- Ensure that you check all tightening of parts **twice** and that the frame is stable after assembly. Small movement through the frame is normal.
- Allow plenty of time to ensure that your monkey bars are set up correctly and safe to use.
- Ensure that no exposed red tape is present and that all fixtures are extremely tight.



**IMPORTANT!** ENSURE GROUND IS LEVEL. USE GROUND ANCHOR SCREWS ON 4 OUTSIDE LEGS TO SECURE FRAME BEFORE USE.



**GROUND ANCHORS ONLY REQUIRED FOR SOFT SAND CONDITIONS. THEY MAY BREAK WHEN INSTALLING INTO HARD GROUND.**

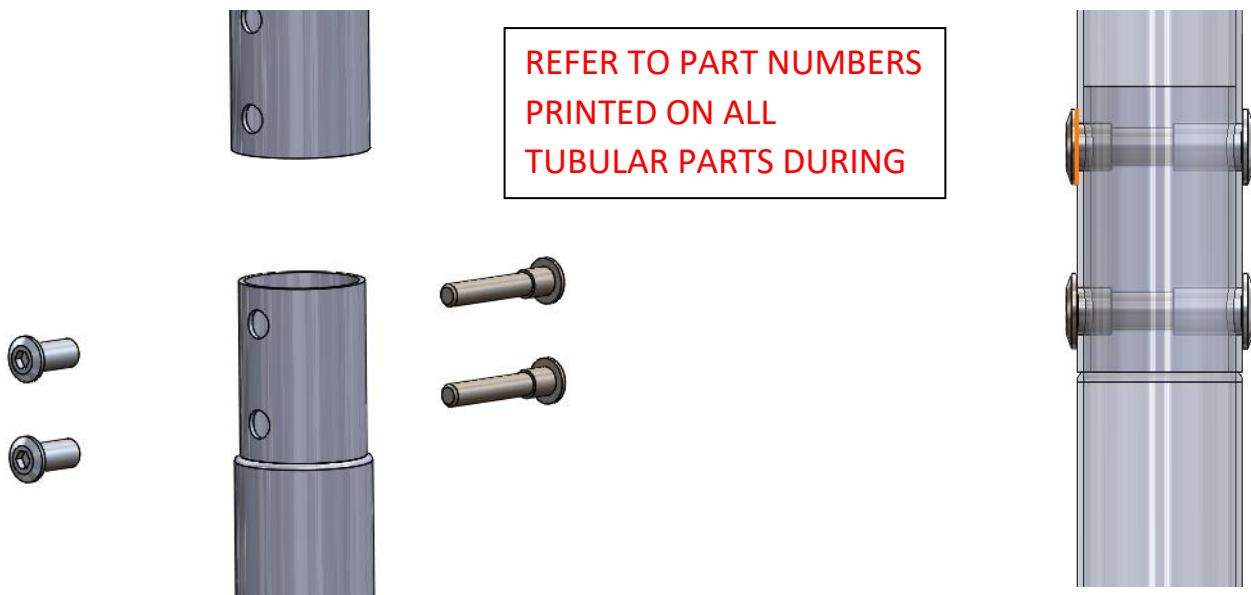
**Spiral Anchors:**  
For use in soft  
soil/sand **only.**



**Ground Spikes:**  
For use in **all**  
ground types.

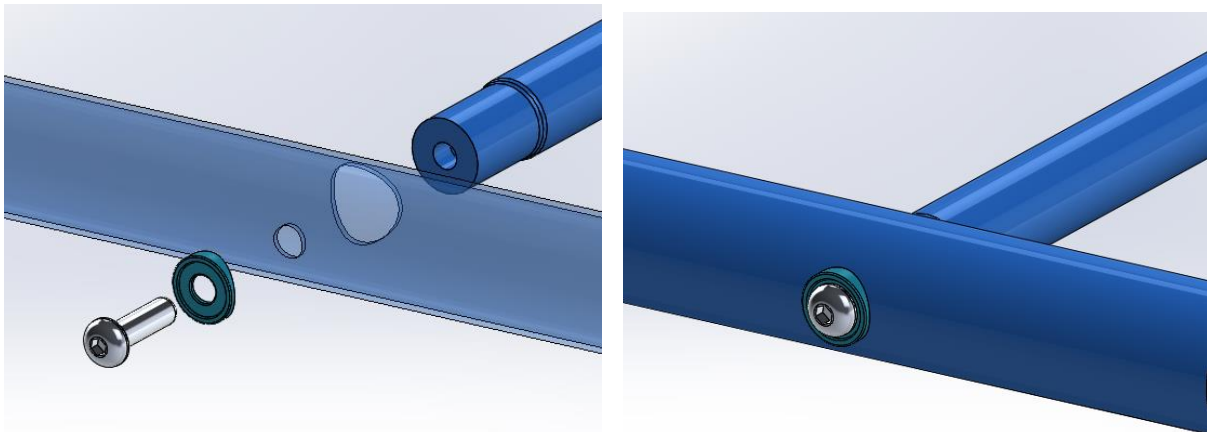


**IMPORTANT!** ONLY FULLY TIGHTEN BOLTS ONCE FRAME IS ASSEMBLED. FINGER TIGHTEN ONLY DURING ASSEMBLY.

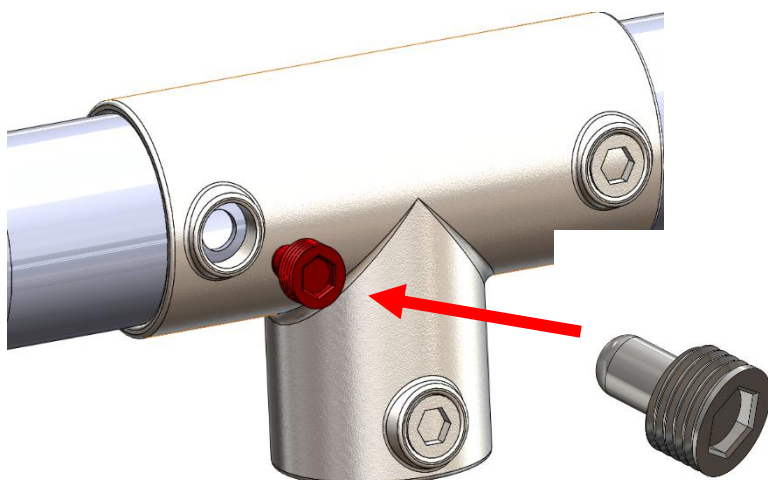


REFER TO PART NUMBERS  
PRINTED ON ALL  
TUBULAR PARTS DURING

TYPICAL CHICAGO BOLT ASSEMBLY

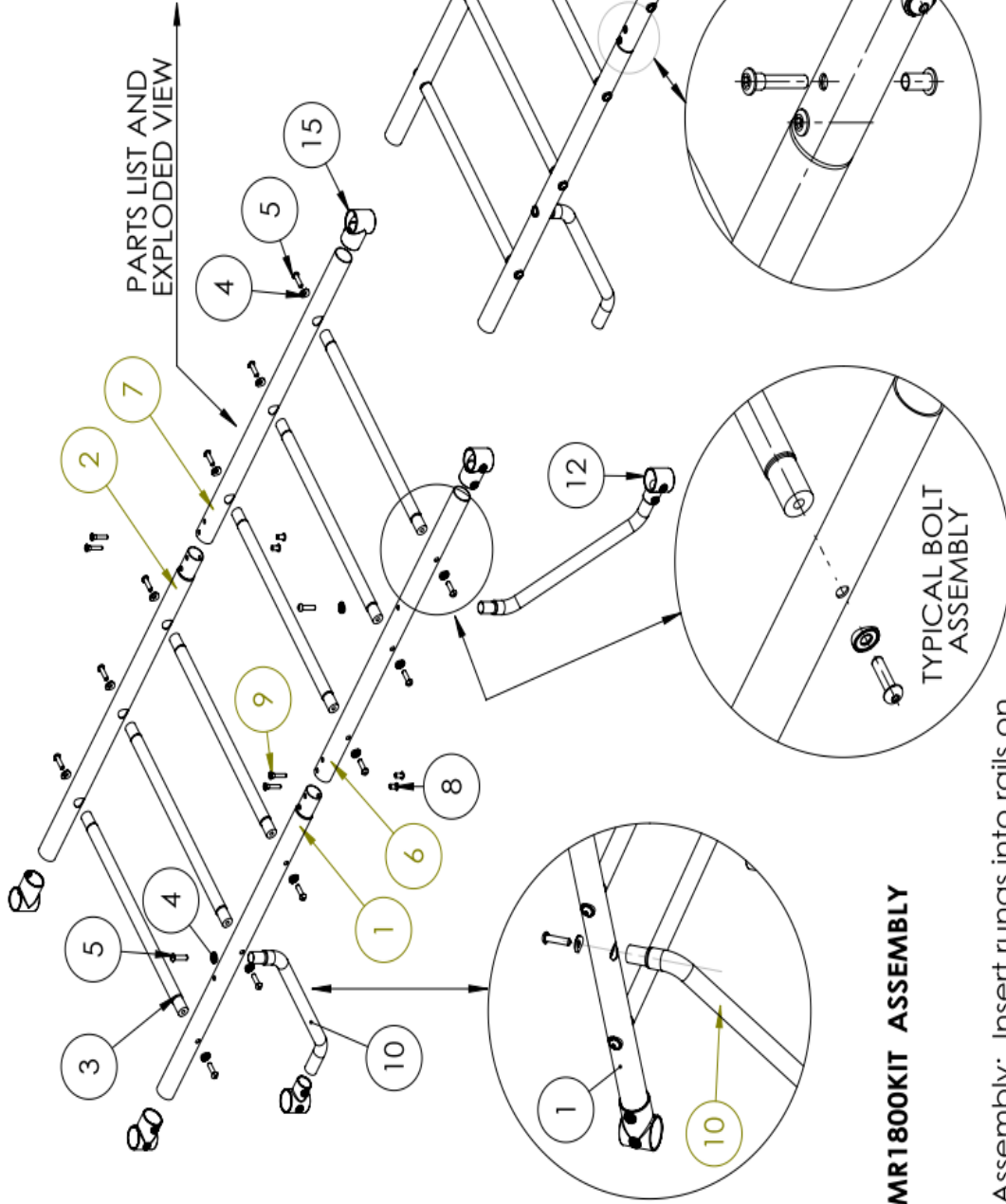


TYPICAL RUNG ASSEMBLY



THE SAFETY BOLT IS SHOWN AS  
RED IN THIS MANUAL TO  
INDICATE THAT THIS SPECIAL  
FASTENER IS REQUIRED TO  
LOCATE POSITION OF TUBE AND  
PREVENT LOOSENING





**MR1800KIT ASSEMBLY**

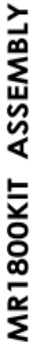
Assembly: Insert rungs into rails on a flat surface and hand tighten. Check before fully tightening.

**!! ATTENTION !!  
CHECK ASSEMBLY BEFORE  
TIGHTENING**

#	PART NUMBER	DESCRIPTION	QTY.
1	CP20ZK1H	Rung rail LH male with hole for part 10	1
2	CP20ZK1	Rung rail male RH	1
3	DB2R	Monkey Rung	6
4	20MRCW1	M10 Concave Washer	14
5	B1035BH1	M10 x 35 S/S Bolt	14
6	CP20ZK2H	Rung rail LH female with hole for part 10	1
7	CP20ZK2	Rung Rail	1
8	BC1040F	M10 Chicago Female	4
9	BC1040M	M10 Chicago Male	4
10	CF20CB2	Cross Brace 1	2
12	101-4234 Tee	42/48 Short tee	2
15	101-48 Tee	48 Short tee	4

**NOTE: DO NOT ATTACH CLAMPS 12 & 15. REF. TO LADDER ASSEMBLY INSTRUCTIONS.**

ASSEMBLED MONKEY BARS



**ASSEMBLY INSTRUCTIONS**

**TITLE: MONKEY RUNG 1800**

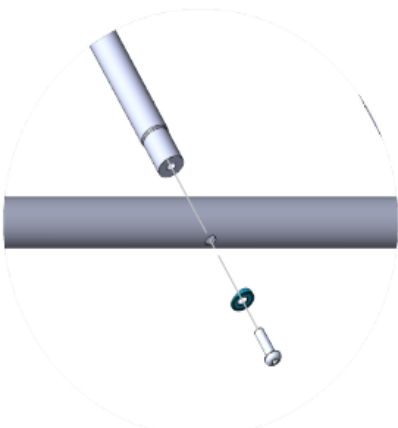
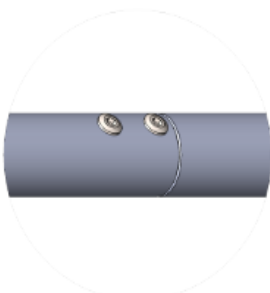
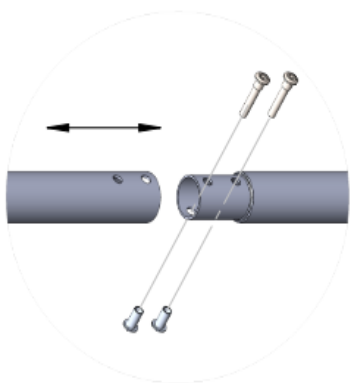
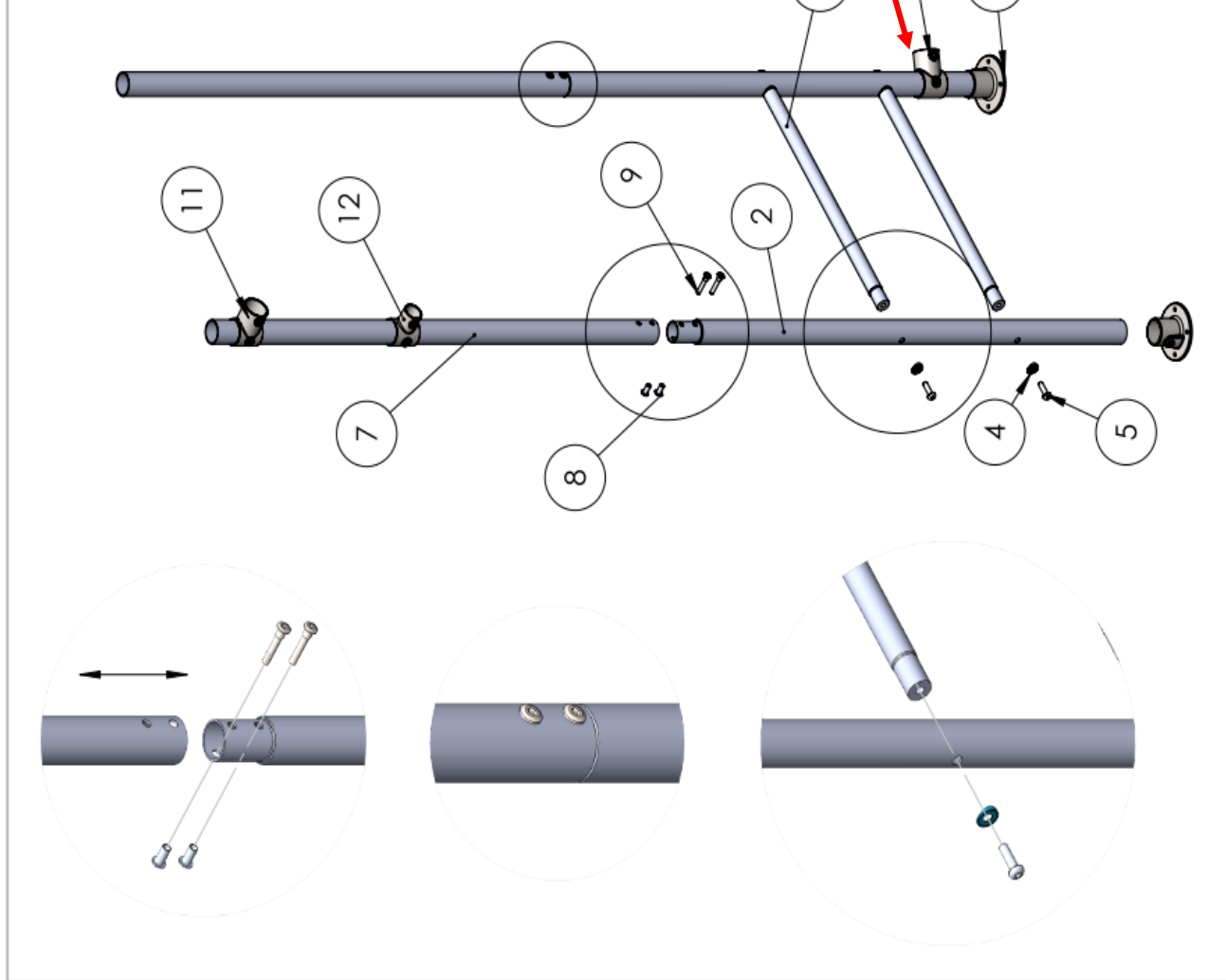
**PART #: AMR1800KIT REV: A**

**ASSEMBLE MONKEY RUNG (MR1800KIT) S AS SHOWN**

ITEM NO.	PART NUMBER	DESCRIPTION	QTY.
2	SN2048LBUM	Ladder bottom Male	2
3	DB2R	Monkey Rung	2
4	20MRCW1	M10 Concave Washer	4
5	B1045BH1	M10 x 45 BUTTON HEAD S.S SCREW	4
6	G131-D	base plate	2
7	LD1A	Ladder Bottom Upright	2
8	BC1040F	M10 Chicago Female	4
9	BC1040M	M10 Chicago Male	4
11	101-48 Tee	48 Short tee	2
12	101-4234 Tee	42/48 Short tee	1



ASSEMBLY INSTRUCTIONS  
 TITLE:LADDER 1 PARTS  
 PART #: ALD1  
 REV: A

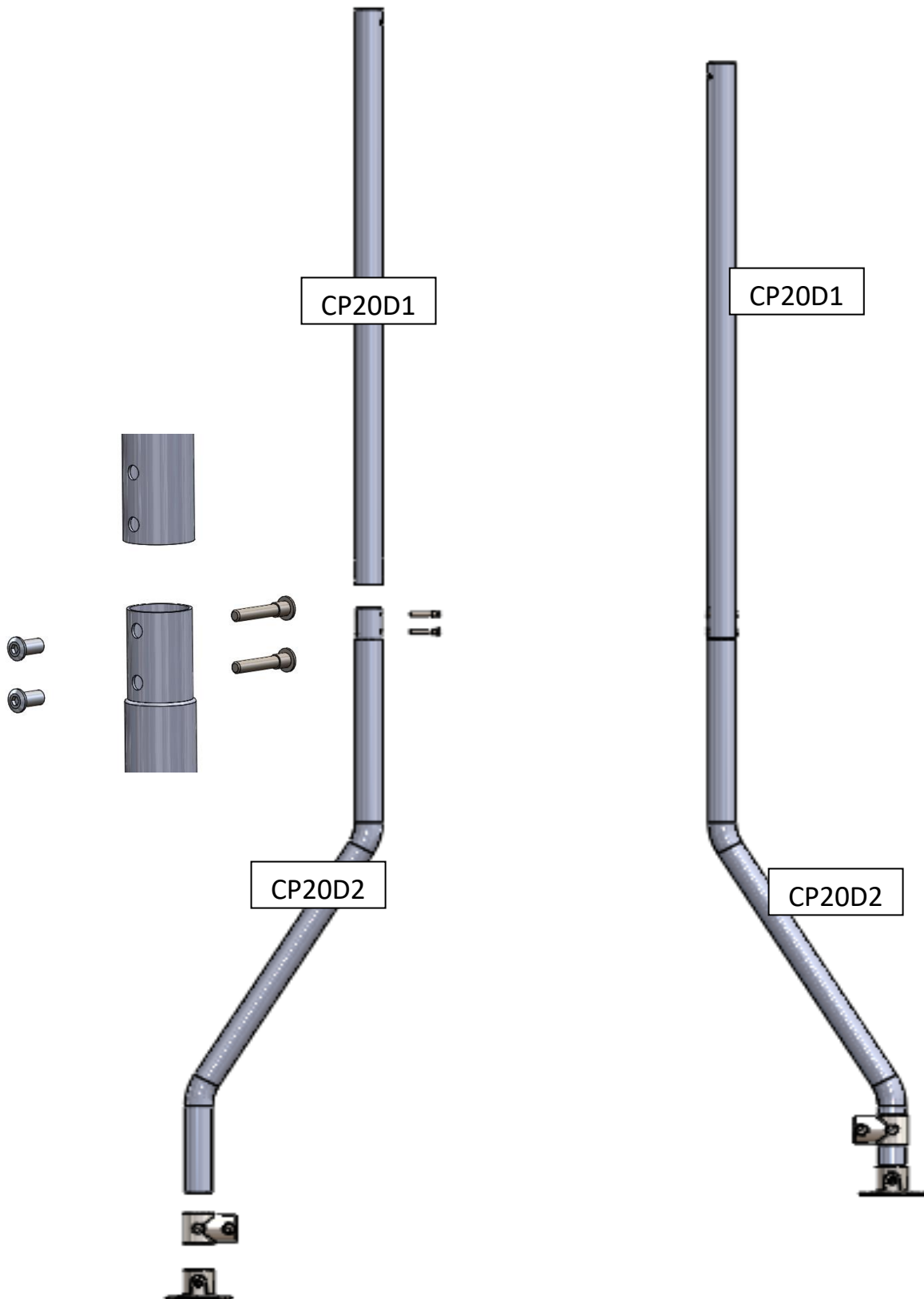


# ASSEMBLE 2 x LADDER (LD2) AS SHOWN



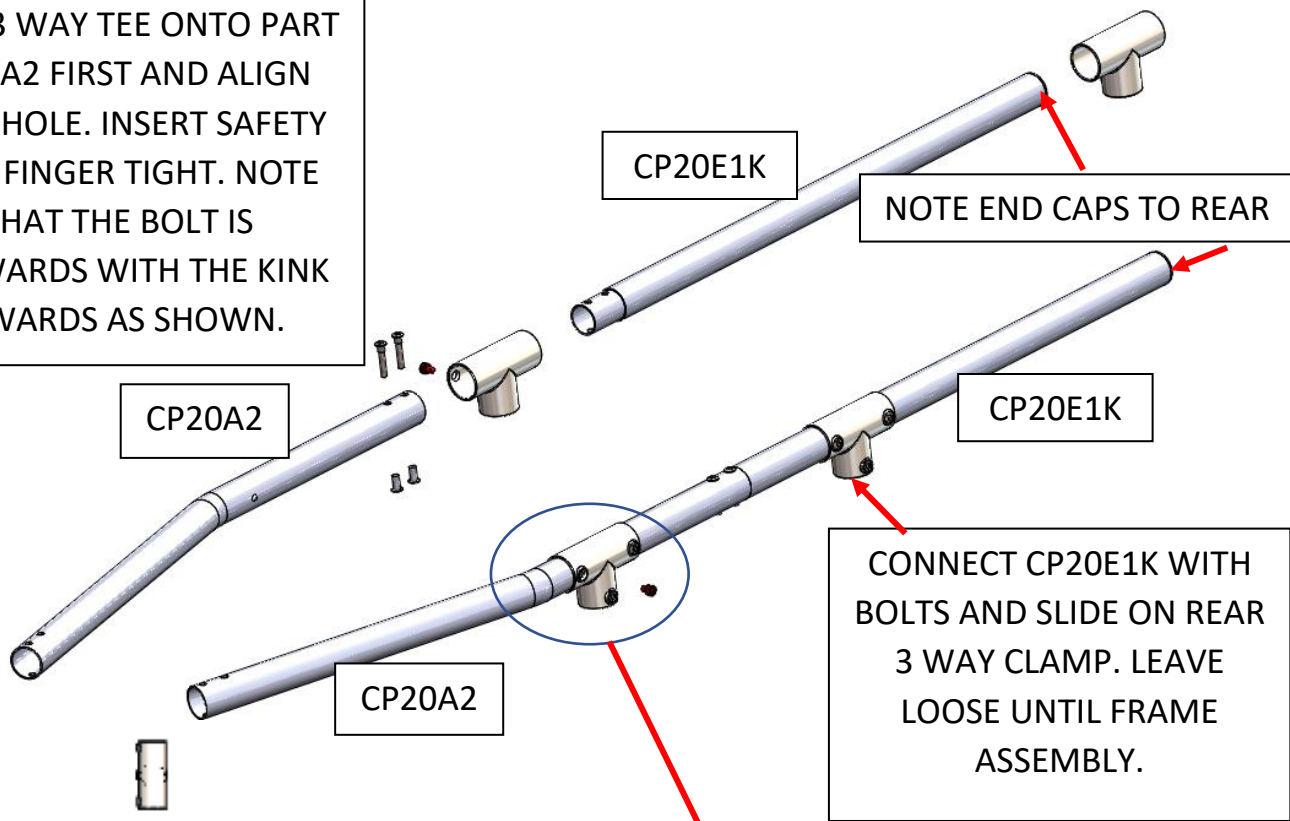
**FRONT LEGS: IMPORTANT! LAY PARTS OUT AS SHOWN.**

PART NUMBERS ARE PRINTED ON TUBULAR PARTS

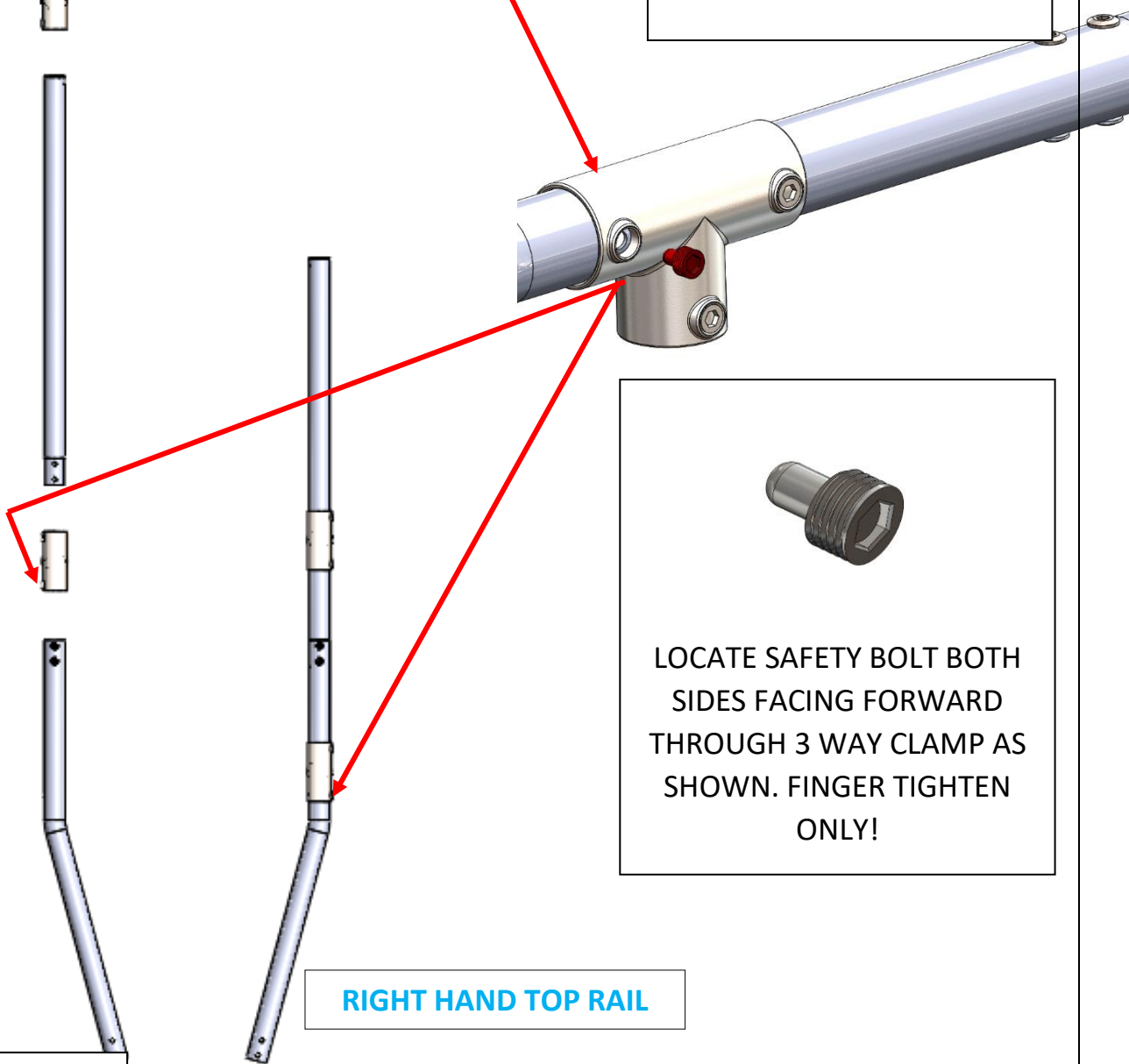


# TOP SIDE RAILS: **IMPORTANT!** LAY PARTS OUT AS SHOWN.

SLIDE 3 WAY TEE ONTO PART CP20A2 FIRST AND ALIGN WITH HOLE. INSERT SAFETY BOLT FINGER TIGHT. NOTE THAT THE BOLT IS OUTWARDS WITH THE KINK INWARDS AS SHOWN.



CONNECT CP20E1K WITH BOLTS AND SLIDE ON REAR 3 WAY CLAMP. LEAVE LOOSE UNTIL FRAME ASSEMBLY.

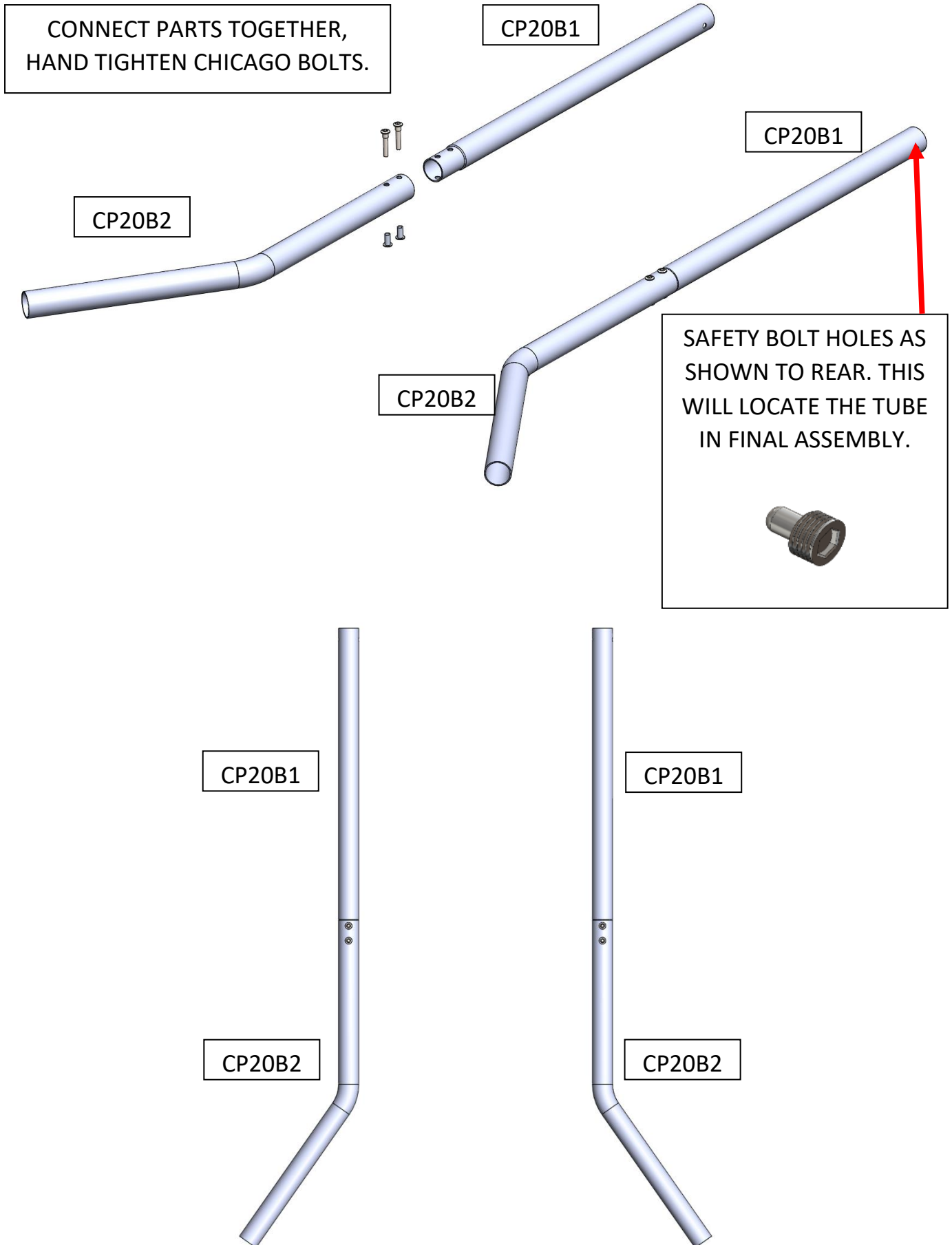


LOCATE SAFETY BOLT BOTH SIDES FACING FORWARD THROUGH 3 WAY CLAMP AS SHOWN. FINGER TIGHTEN ONLY!

**LEFT HAND TOP RAIL**

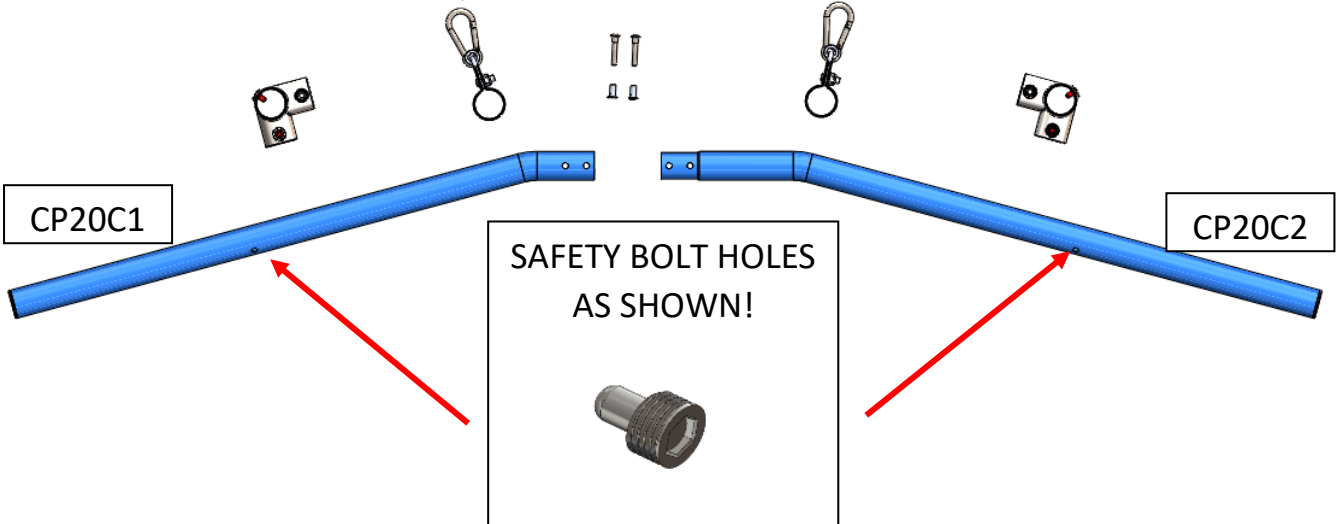
**BOTTOM SIDE RAILS: IMPORTANT!** LAY PARTS OUT AS SHOWN.

PART NUMBERS ARE PRINTED ON TUBULAR PARTS

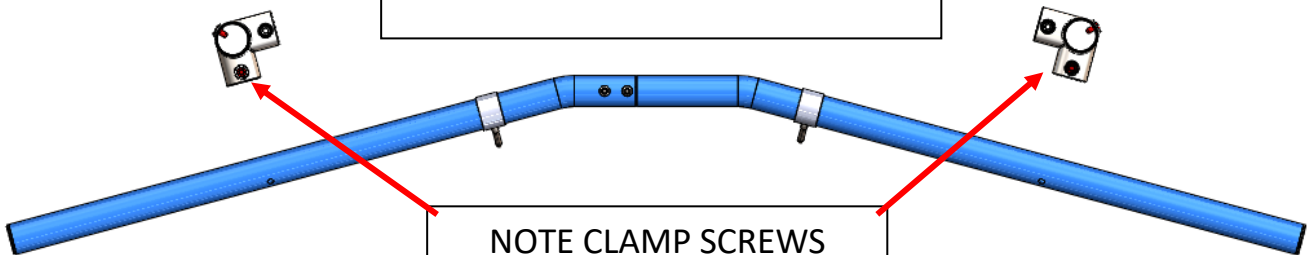


**FRONT SUPPORT BAR: IMPORTANT! LAY PARTS OUT AS SHOWN.**

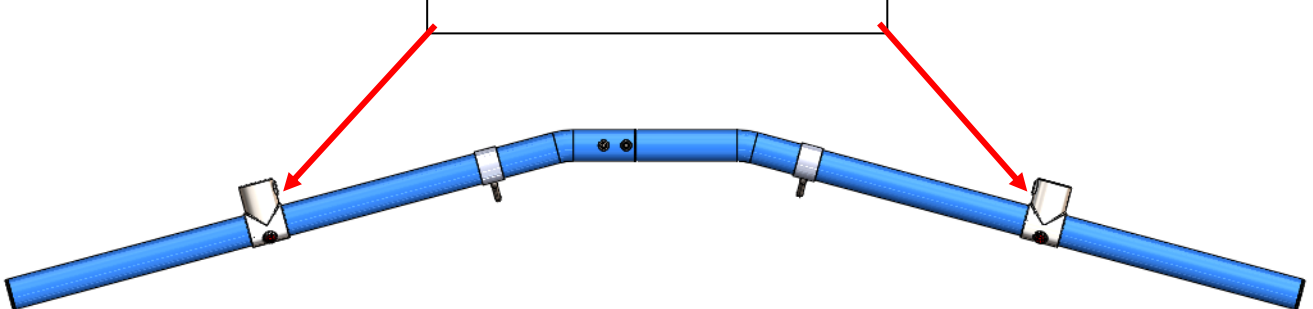
SWING CLAMPS FOUND  
IN TP1 TRAPEZE BOX.



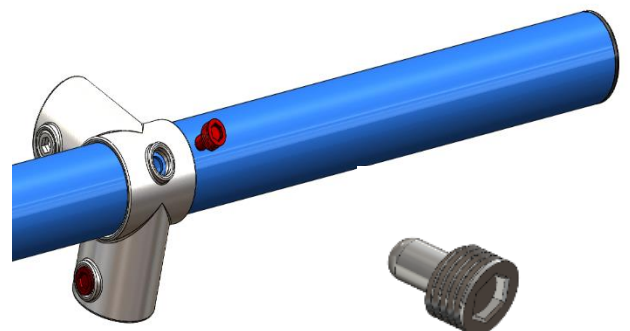
SLIDE ON SWING CLAMPS AND  
HAND TIGHTEN CHICAGO BOLTS.



NOTE CLAMP SCREWS  
BOTH FACING INWARDS!!



NOTE CLAMP BOLTS FACING  
INWARDS. LOCATE SAFETY BOLT  
HOLE AND TIGHTEN INTO TUBE



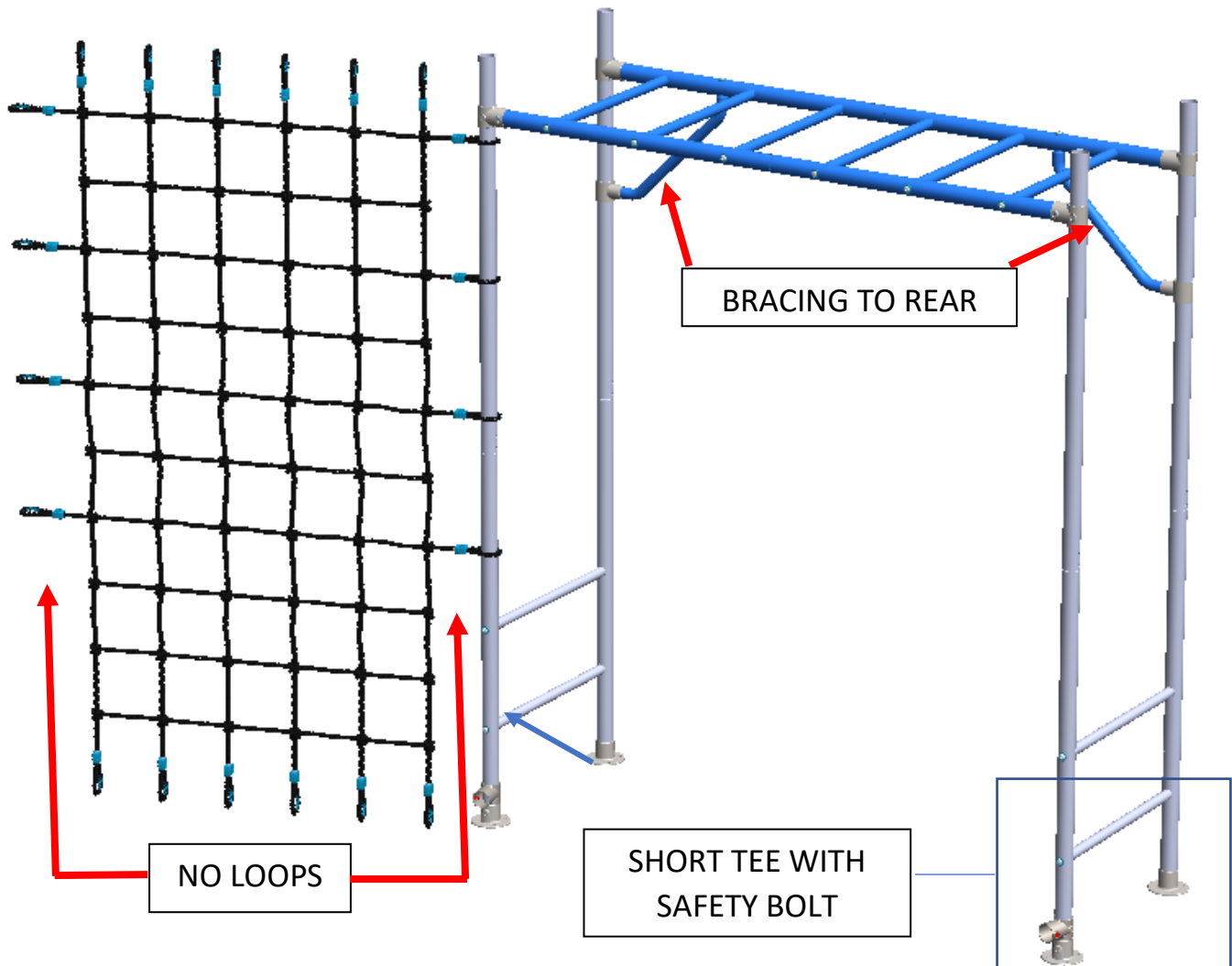
# MONKEY BARS (MR1800KIT):

**IMPORTANT!** LAY PARTS OUT AS SHOWN.

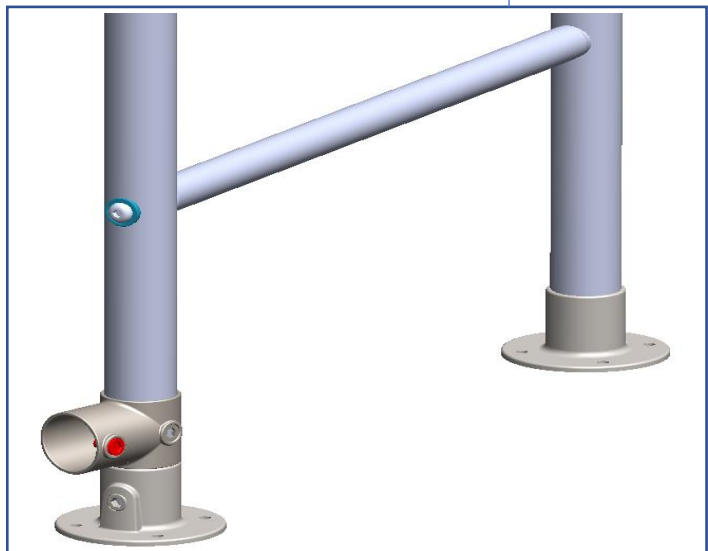


**TWO PEOPLE ARE NOW  
REQUIRED FOR REMAINING  
ASSEMBLY!**

**STEP 1: POSITION CARGO NET ONTO LADDER AS SHOWN - NO LOOPS TO BOTTOM**



**STEP 2: CONNECT MONKEY BARS  
INTO CLAMPS. NOTE THAT  
BRACES ARE FACING TOWARDS**



# TOP SIDE RAILS

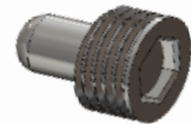
NOTE END CAPS TO REAR

RIGHT HAND TOP RAIL

**STEP 3:** PLACE RIGHT HAND TOP RAIL ONTO LADDER AS SHOWN AND TIGHTEN BOTTOM BOLTS ONLY. DON'T TIGHTEN THE SAFETY BOLT!

SAFETY BOLT TO OUTSIDE

**STEP 4:** SLIDE 1 X ROPE CLIMB AND 1 X SWING CLAMP AS SHOWN. SWING CLAMP FOUND IN NS2 BOX (NET SWING)





# TOP SIDE RAILS



**ONE PERSON IS REQUIRED TO SUPPORT FRAME AT ALL TIMES!**

**STEP 5:** PLACE LEFT HAND TOP RAIL ONTO LADDER AS SHOWN AND TIGHTEN BOTTOM BOLTS ONLY. DON'T TIGHTEN SAFETY BOLT!

NOTE END CAPS TO REAR

LEFT HAND TOP RAIL

**STEP 6:** SLIDE 1 X CARGO LOOP, THEN 1 X SWING CLAMP AS SHOWN (SWING CLAMPS FOUND IN NS2 BOX)

SLIDE ON THE 5 REMAINING CARGO NET LOOPS

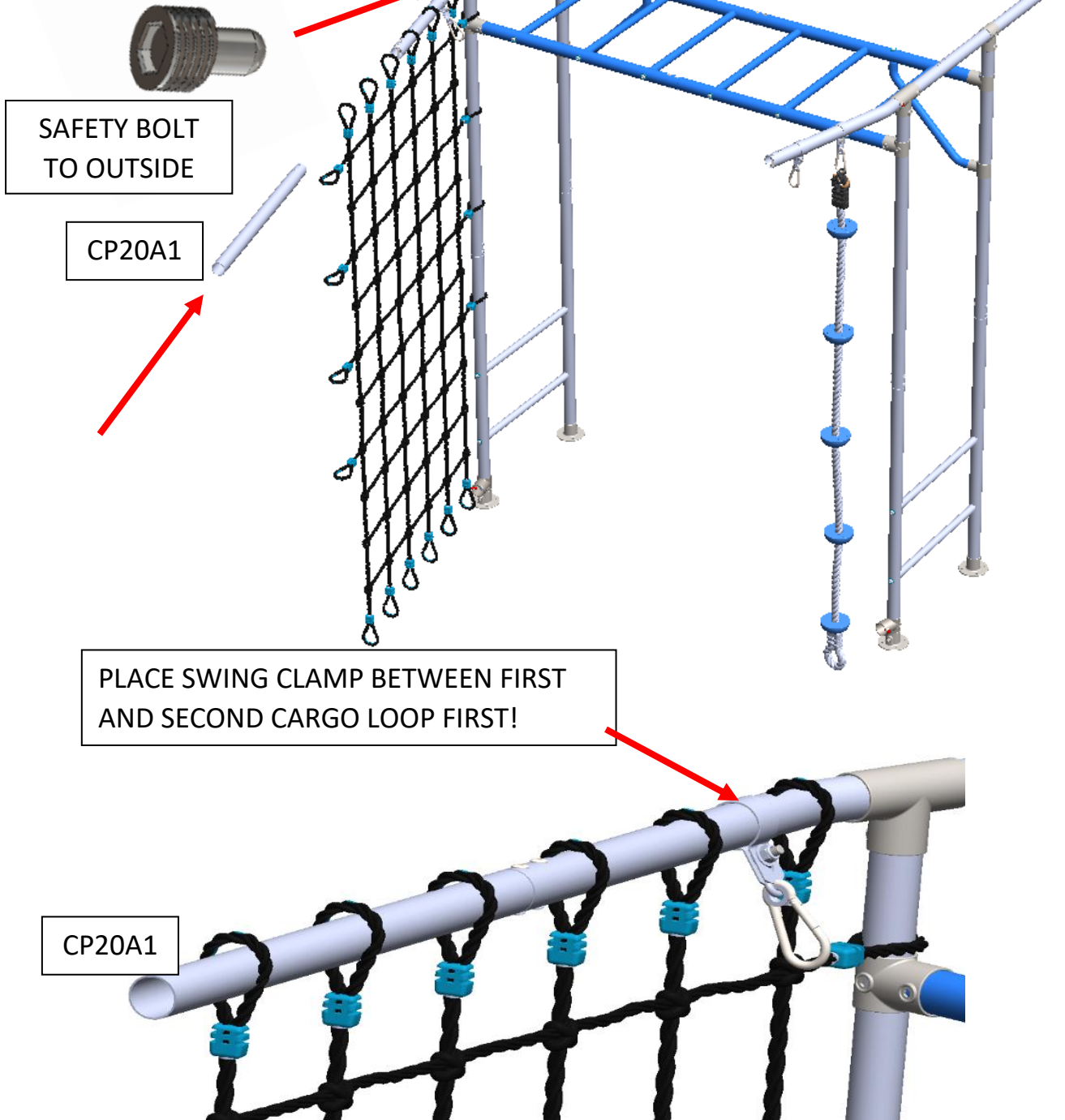
ATTACH CP20A1 WITH CHICAGO BOLTS.

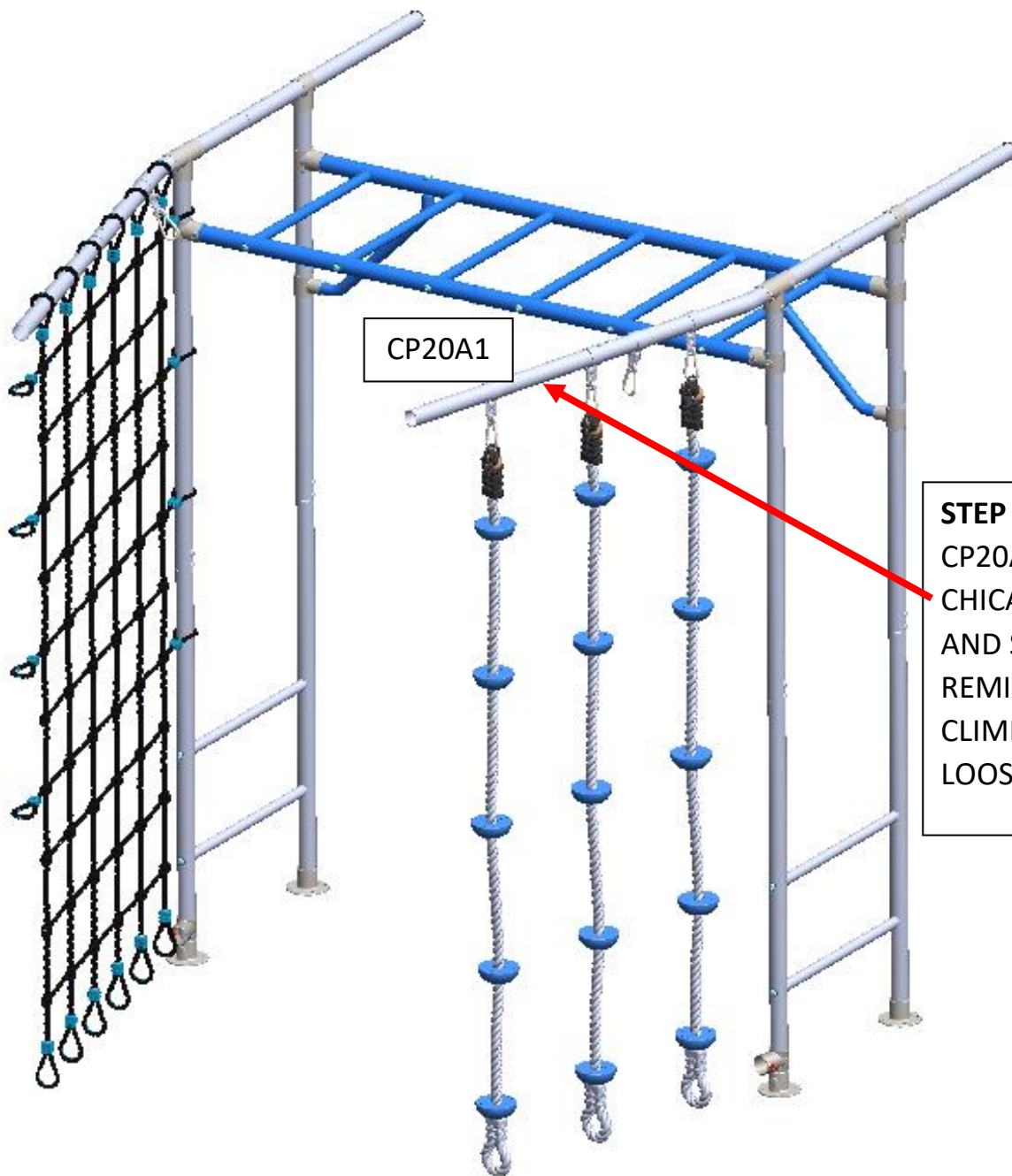
SAFETY BOLT TO OUTSIDE

CP20A1

PLACE SWING CLAMP BETWEEN FIRST AND SECOND CARGO LOOP FIRST!

CP20A1

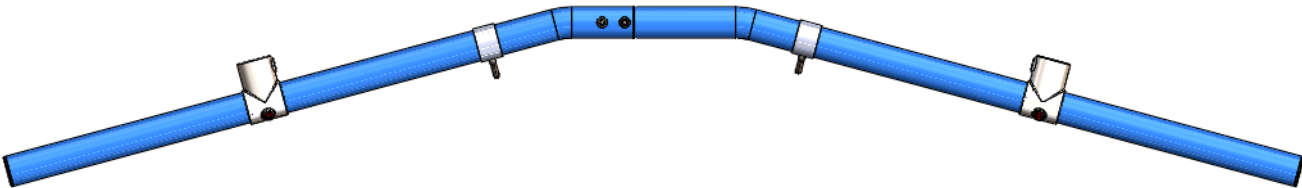




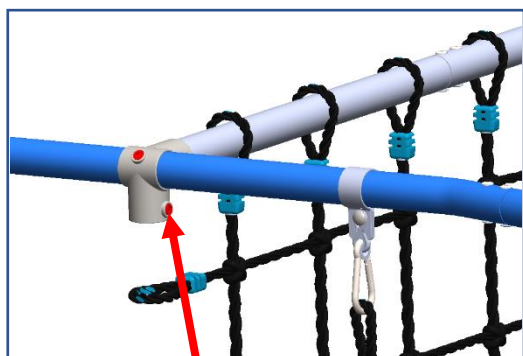
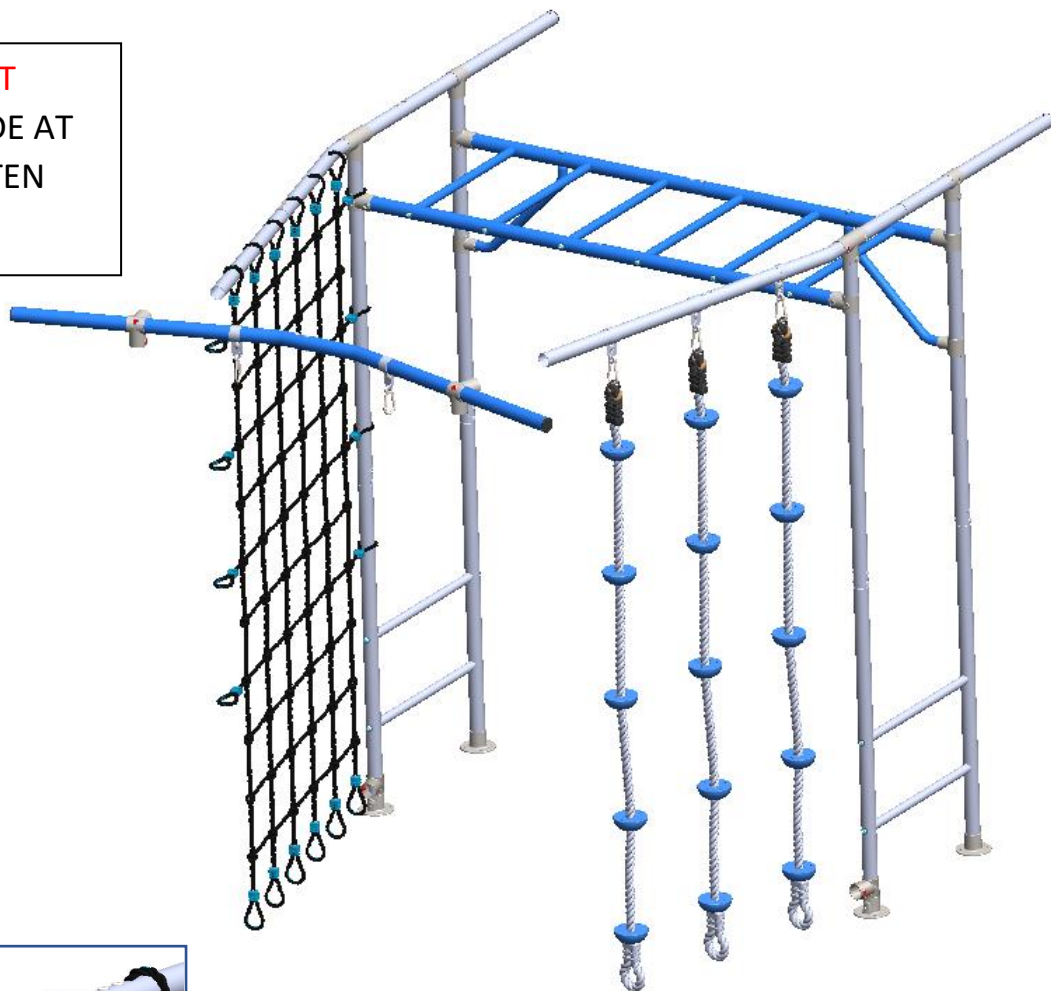
CP20A1

**STEP 7:** ATTACH CP20A1 WITH CHICAGO BOLTS AND SLIDE ON REMINING ROPE CLIMBS. LEAVE LOOSE.

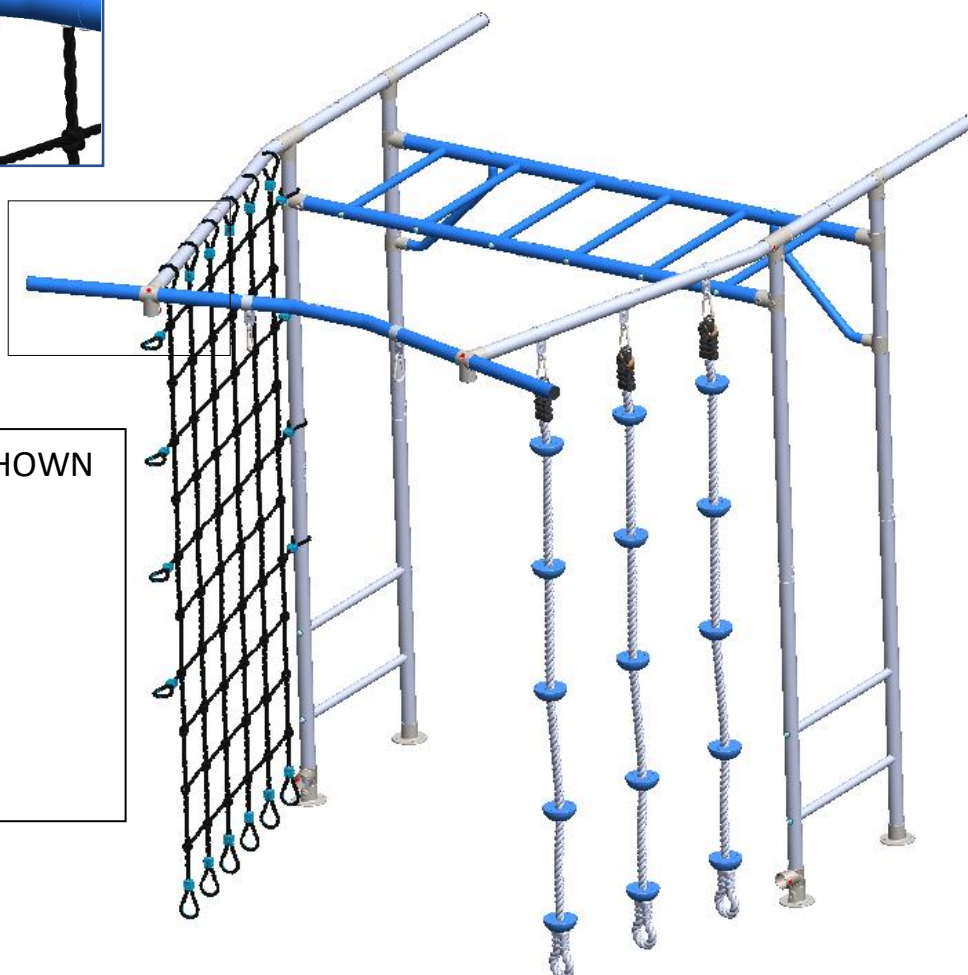
**STEP 8:** GRAB **FRONT SUPPORT BAR** FOR NEXT STEP



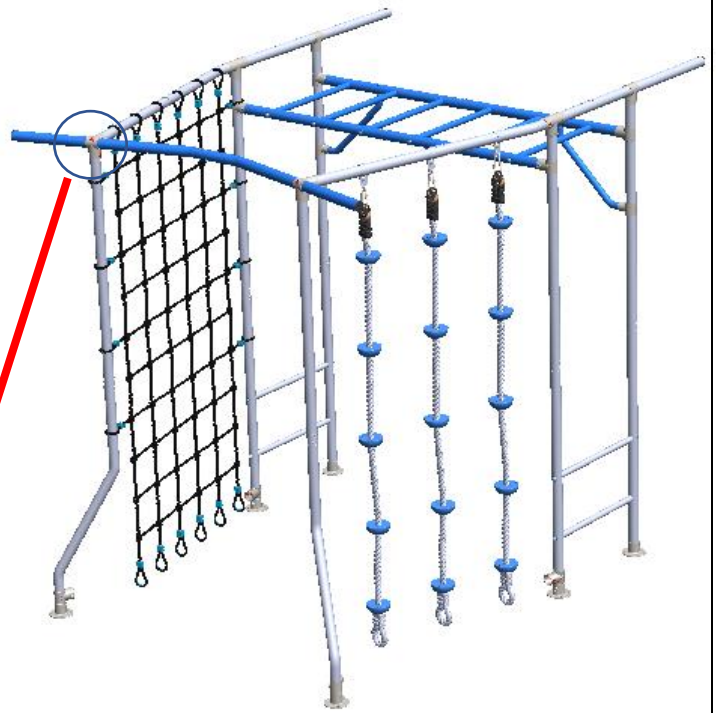
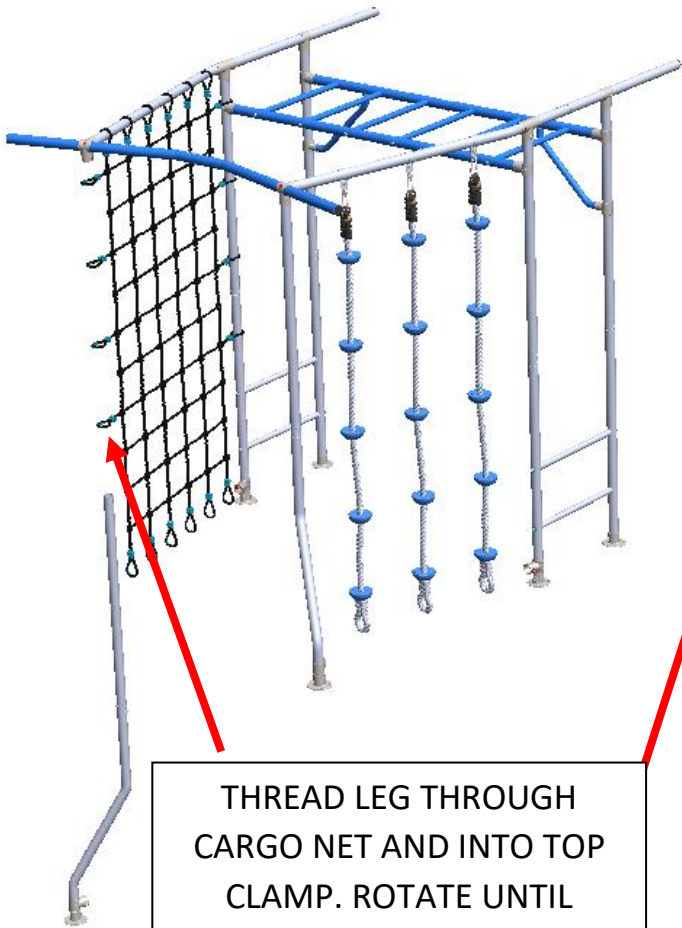
**STEP 9: ATTACH FRONT  
SUPPORT BAR ONE SIDE AT  
A TIME. LOOSLY TIGHTEN  
WITH ALLEN KEY.**



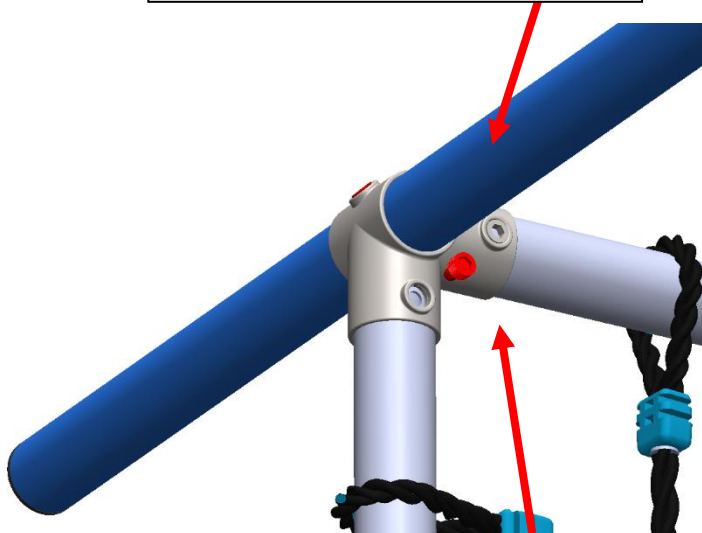
**SAFETY BOLT HOLES AS SHOWN  
TO INSIDE!!**



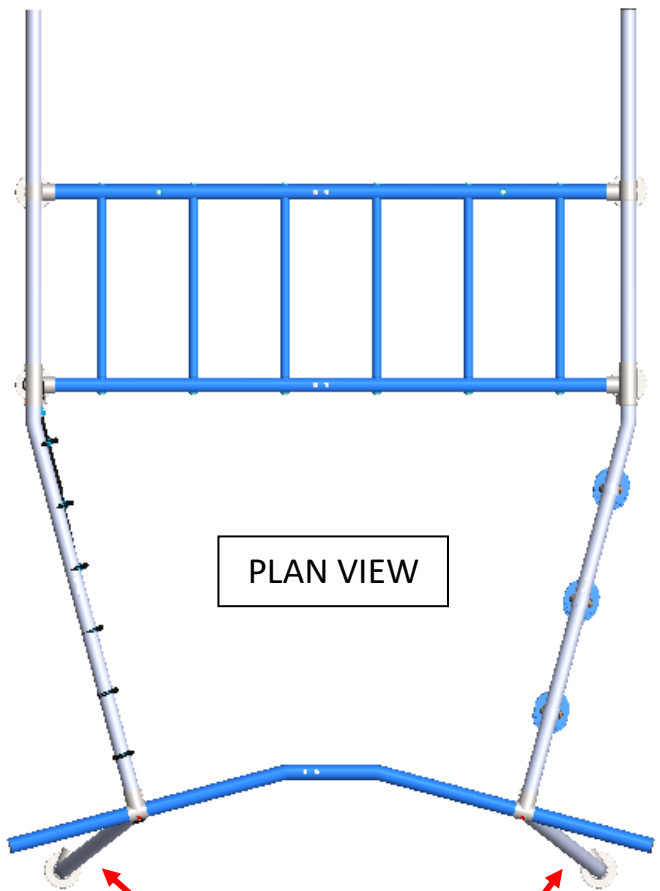




THREAD LEG THROUGH  
CARGO NET AND INTO TOP  
CLAMP. ROTATE UNTIL  
SAFETY BOLT HOLE IS  
SHOWN AND INSERT SAFETY  
BOLT



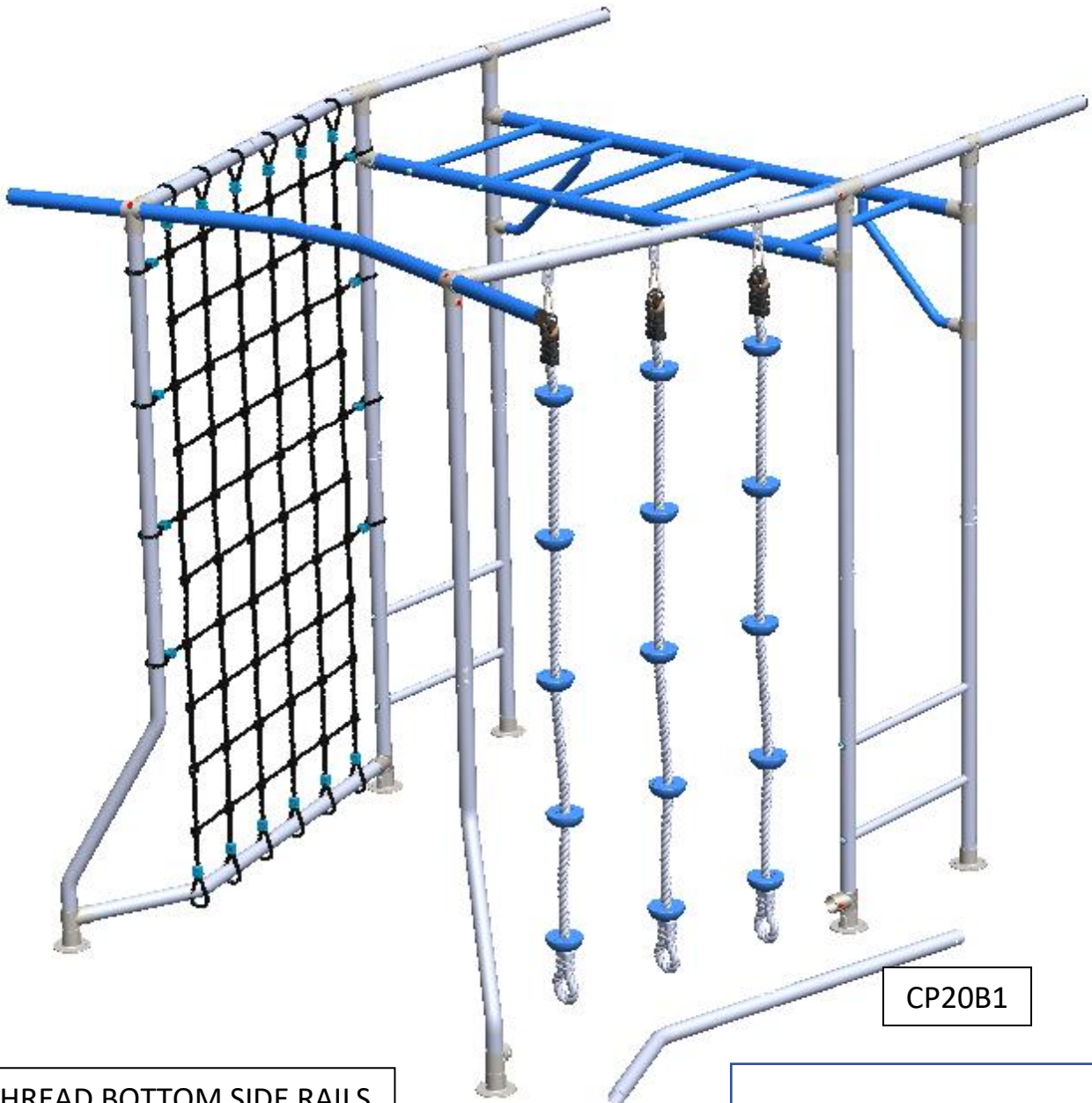
SAFETY BOLT HOLES AS  
SHOWN!!



PLAN VIEW

**NOTE LEGS FACING  
OUTWARDS**

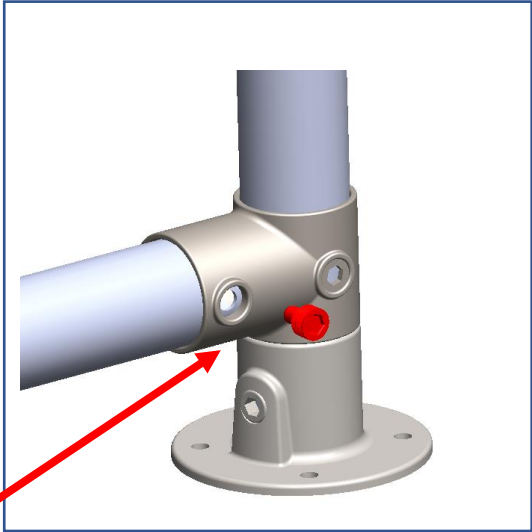
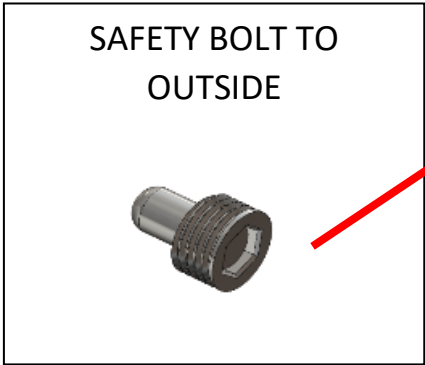
# BOTTOM SIDE RAILS



CP20B1

CP20B2

THREAD BOTTOM SIDE RAILS THROUGH CARGO NET AND INTO TOP CLAMP. ROTATE UNTIL SAFETY BOLT HOLE IS SHOWN AND INSERT SAFETY BOLT. REPEAT OTHER SIDE.

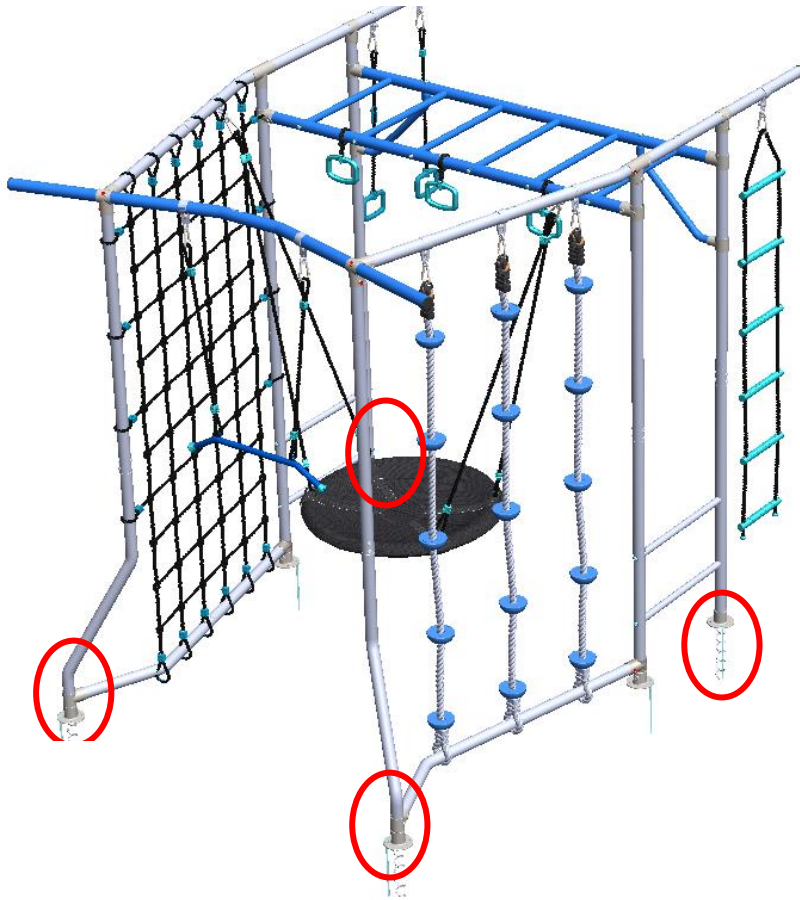


**GROUND ANCHORS ONLY REQUIRED FOR SOFT SAND CONDITIONS.  
THEY MAY BREAK WHEN INSTALLING INTO HARD GROUND.**

**Spiral Anchors:**  
For use in soft  
soil/sand only.



**Ground Spikes:**  
For use in all  
ground types.



ONCE ALL BOLTS ARE TIGHTENED ON  
FRAME, MOVE INTO POSITION.

INSTALL PEGS TO HOLD BASE PLATE IN  
PLACE ONE CORNER AT A TIME, LOOSEN  
AND LIFT FRAME TO ONE SIDE LEAVING  
BASE PLATE IN PLACE. SCREW GROUND  
ANCHOR AND WASHER THROUGH BASE  
PLATE UNTIL FIRMLY SEATED. LIFT FRAME  
BACK INTO BASE PLATE AND TIGHTEN.  
REPEAT ALL 4 CORNERS.







**FINAL STEP.**

**START AT ONE CORNER OF  
THE FRAME AND DOUBLE  
CHECK ALL BOLTS ARE TIGHT.  
SMALL MOVEMENT IN FRAME  
IS NORMAL.**

**CONGRATULATIONS!**

**YOU HAVE ASSEMBLED YOUR GROWPLAY COMPACT  
MONKEY BAR!**

# MAINTENANCE INFORMATION

This product was manufactured using quality materials and crafted to provide you and your family with many years of enjoyment and exercise. Proper maintenance care will help to prolong the life and reduce the possibility of injury. The following guidelines should be followed.

- Tighten all hardware at the beginning of each play season.
- Check all protective coverings on bolts, pipes, edges, and corners. Replace if they are loose, cracked, or missing.
- Check all moving parts including swing seats, ropes, cables and chains for wear, rust, or other deterioration. Replace as needed.
- Check metal parts for rust. If found, sand and repaint using a nonlead-based paint.
- Rake and check depth of loose fill protective surfacing materials to prevent compaction and to maintain appropriate depth. Replace as necessary.
- Twice a month during play season: Tighten all hardware, check all protective coverings on bolts, pipes, edges, and corners. Replace if they are loose, cracked, or missing. Rake and check depth of loose fill protective surfacing materials to prevent compaction and to maintain appropriate depth. Replace as necessary.
- Once a month during play season: Lubricate all metallic moving parts per manufacturer's instructions. Check all moving parts including swing seats, ropes, cables, and chains for wear, rust, or other deterioration. Replace as needed.
- At the end of each play season or if the temperature drops below 2 Deg C, remove plastic swing seats and other items as specified by the manufacturer and take indoors or do not use. Rake and check depth of loose fill protective surfacing materials to prevent compaction and to maintain appropriate depth. Replace as necessary. Owners shall be responsible for maintaining the legibility of the warning labels.
- Disposal Instructions — There shall be instructions advising the owner to disassemble and dispose of the playground equipment in such a way that no unreasonable hazards will exist at the time the playground equipment is discarded. If any these conditions exist, this product should be disassembled or otherwise protected from being used until the condition is fixed.

