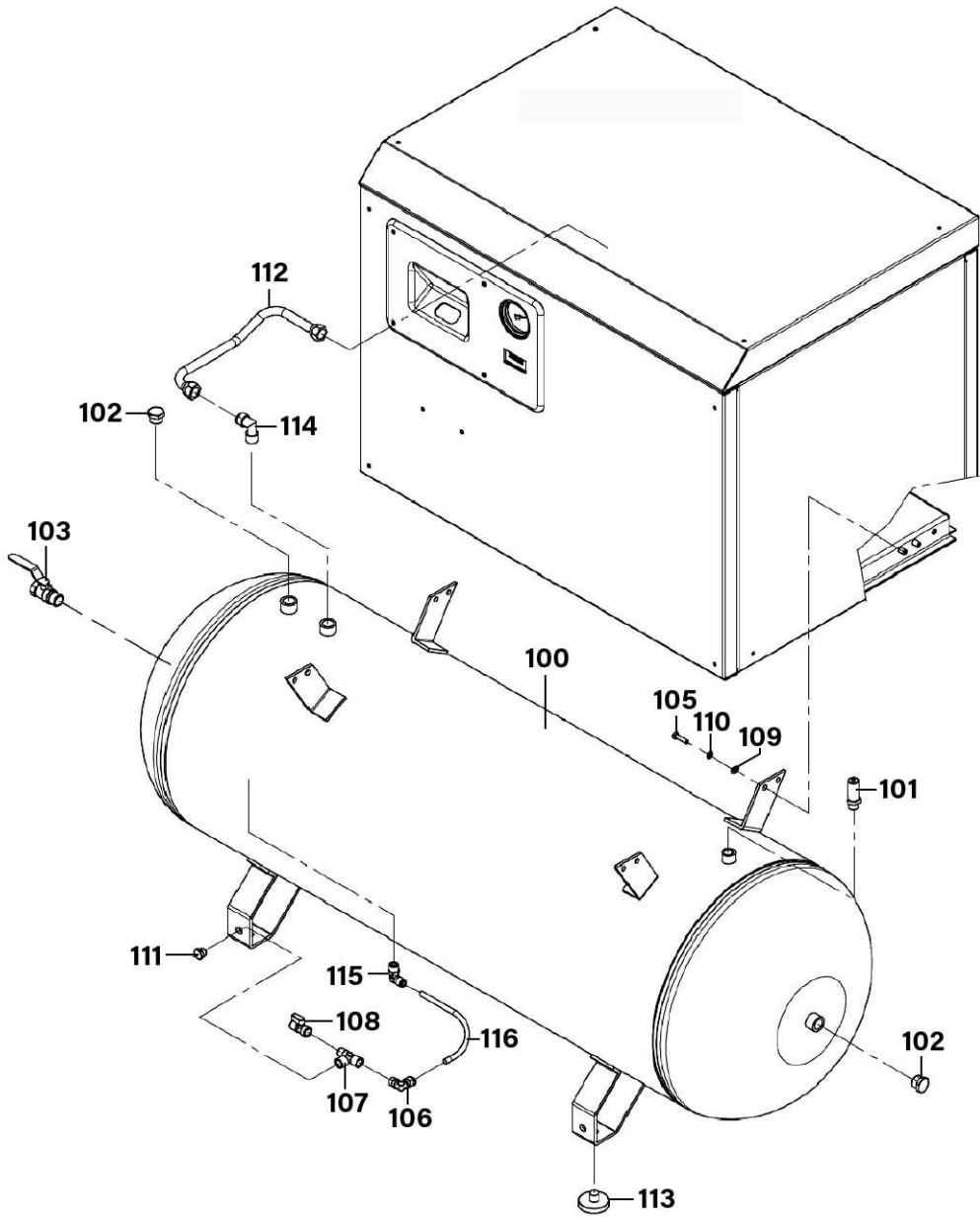


Parts Information:
**Air Compressor 200L Belt Drive 3hp with
 Cast Cylinders Low Noise
 Model No: SAC2203BLN.V2**



Item	Part No.	Description
100	SAC7475890000	Tank 200ltr
101	SAC7192090000	Safety Valve 10bar 3/8"bsp Male
102	SAC7090030000	Plug 1/2"
103	SAC7130150000	Ball Valve 1/2"bsp Female-1/2"bsp Male
105	SS625.S	Hex Head Set Screw M6 X 25 Zinc
106	SAC7080970000	Elbow 1/4"bsp Male-8mm Pipe
107	SAC7082050000	Cross Connector 1/4"
108	SAC7130170000	Ball Valve 1/4"bsp Female x 2
109	FWM6.S	Flat Washer M6 Zinc

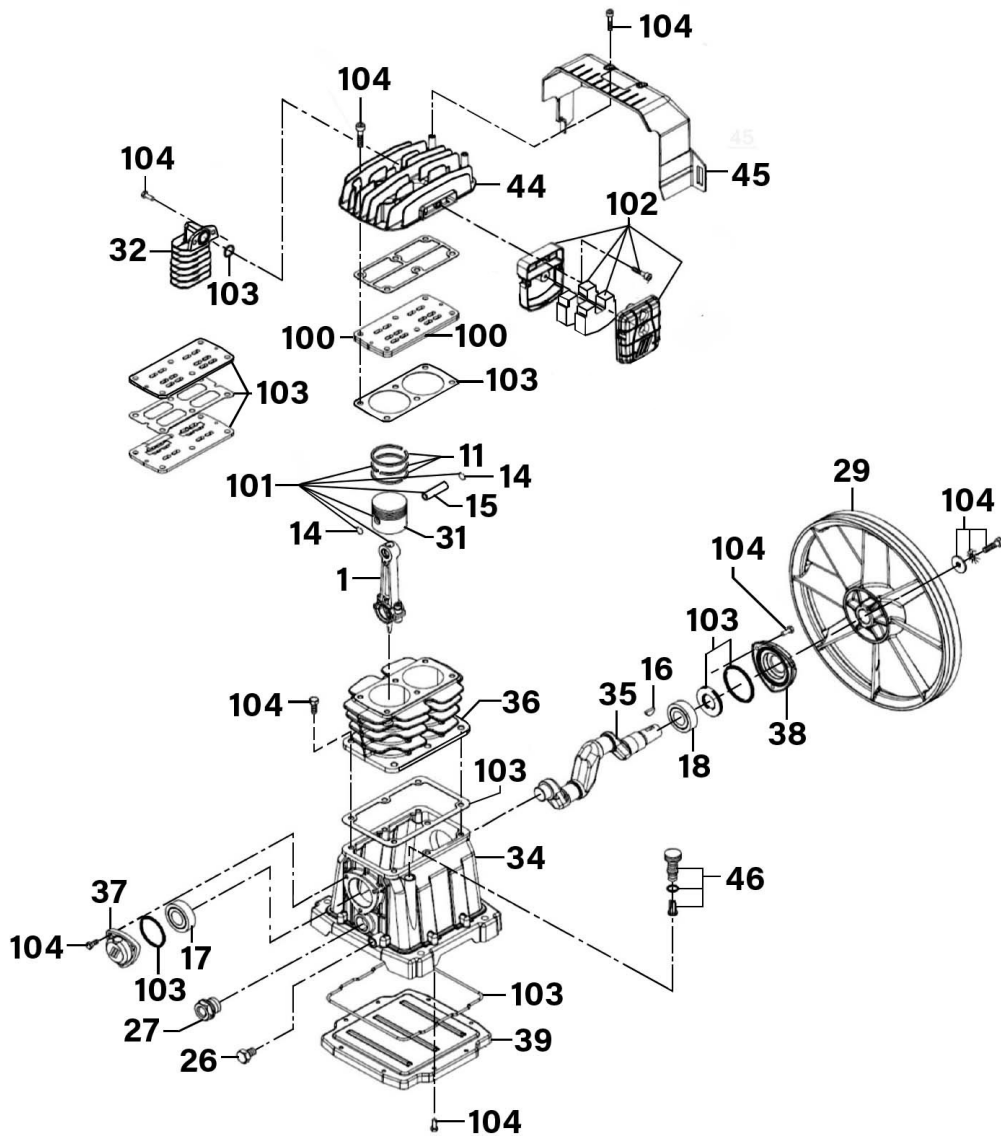
Item	Part No.	Description
110	SAC7031030000	Washer
111	SAC7090090000	Plug 1/4"
112	SAC7239220000	Delivery Pipe
113	SAC7360400000	Rubber Foot
114	SAC7080160000	Elbow 1/2"bsp Male x2
115	SAC7082820000	Elbow 3/8"bsp male-8mm Pipe
116	SAC7230020000	Rilsan Hose
--	SAC7090020000	Plug, Tank (Not Shown)

NOTE: It is our policy to continually improve products and as such we reserve the right to alter data, specifications and component parts without prior notice. There may be alternative versions of this product, please contact us should you require this information.

IMPORTANT: No liability is accepted for incorrect use of product. Spare parts must be fitted by a competent person

WARRANTY: Guarantee is 12 months from purchase date, proof of which will be required for any claim.

Parts Information:
**Air Compressor 200L Belt Drive 3hp with
 Cast Cylinders Low Noise
 Model No: SAC2203BLN.V2**



Item	Part No.	Description
1	SAC9105450240	Con-Rod
11	SAC4080070000	Piston Ring Set
14	SAC7041410000	Ring
15	SAC7050110000	Piston Pin (15x55)
16	SAC7051510000	Key (5x7.5)
17	B/6205	Bearing 6205
18	B/6206	Bearing 6206
26	SAC7090090000	Plug 1/4"
27	SAC9700000408	Oil Level Gauge
29	SAC7201010000	Flywheel
31	SAC7220090000	Piston
32	SAC9100270270	Aftercooler
34	SAC9105450010	Crankcase

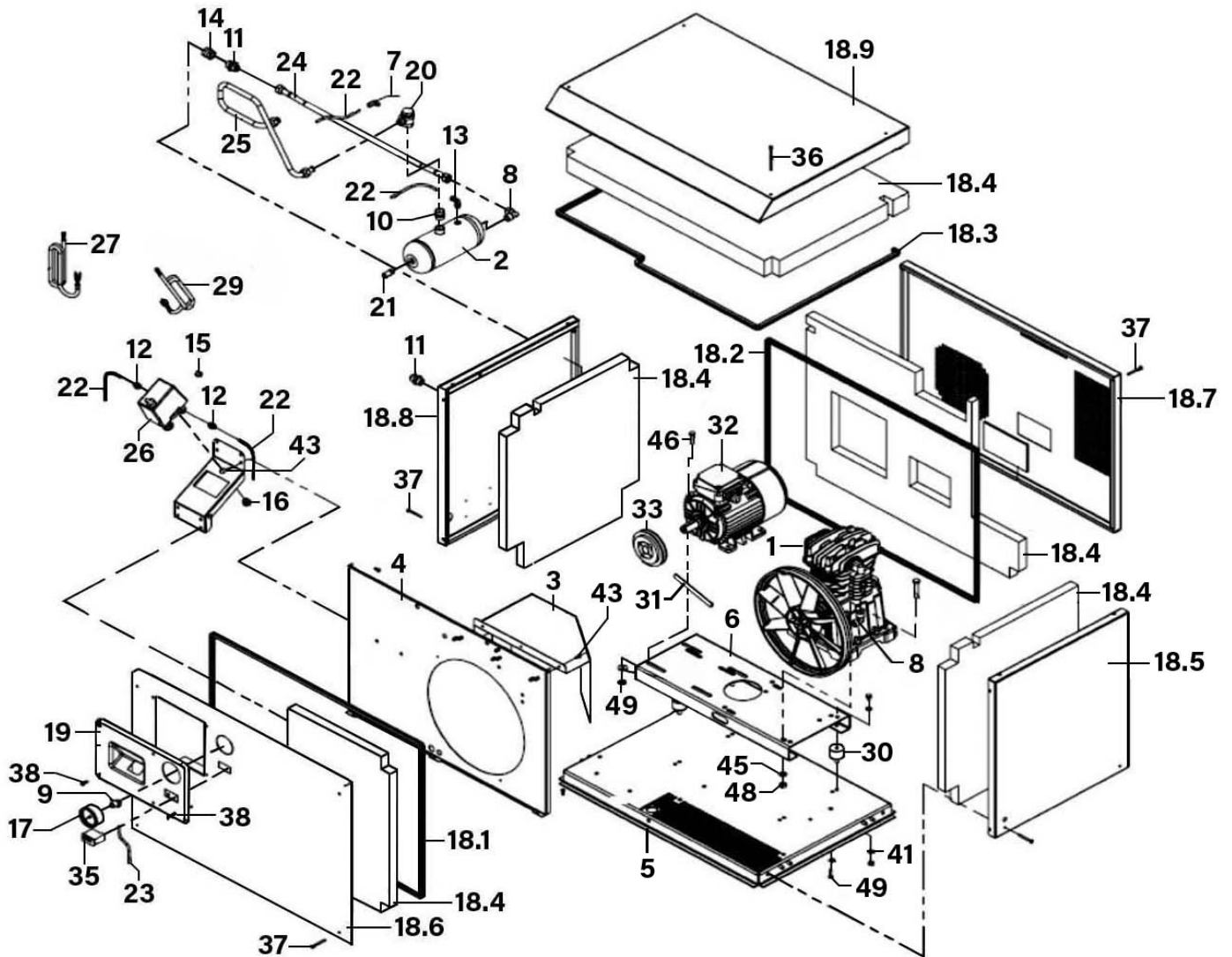
Item	Part No.	Description
35	SAC9105450250	Crankshaft
36	SAC9105450060	Cylinder
37	SAC9105450070	Front Cover
38	SAC9105450080	Rear Cover
39	SAC9105450090	Bottom Cover
44	SAC9105450180	Head
45	SAC7153140000	Cover
46	SAC9700001377	Vent Plug
100	SAC4231260000	Valve Plate Kit (2 Plates & Copper Gasket)
101	SAC4291070000	Piston Kit
102	SAC4250130000	Intake Filter Kit
103	SAC4081990000	Kit Of Accessories (Square Green Rectangular)
104	SAC4080480000	Screw Kit

NOTE: It is our policy to continually improve products and as such we reserve the right to alter data, specifications and component parts without prior notice. There may be alternative versions of this product, please contact us should you require this information.

IMPORTANT: No liability is accepted for incorrect use of product. Spare parts must be fitted by a competent person

WARRANTY: Guarantee is 12 months from purchase date, proof of which will be required for any claim.

Parts Information:
**Air Compressor 200L Belt Drive 3hp with
 Cast Cylinders Low Noise
 Model No: SAC2203BLN.V2**



Item	Part No.	Description
1	SAC3020041000	Pump Unit
2	SAC5157270008	Tank 2ltr
3	SAC5160120008	Cover Support
4	SAC5167350008	Middle Panel
5	SAC5167360008	Base
6	SAC5167370008	Motor/Pump Unit Base
7	SAC7080140000	Elbow 10mm Male- od:6mm Pipe
8	SAC7080160000	Elbow 1/2"bsp Male x2
9	SAC7080890000	Elbow 1/4"bsp Female-6mm Pipe
10	SAC7081010000	Union 1/2"bsp Male x2 l;33mm
11	SAC7081040000	Union 1/2"bsp Male x2 l;35mm
12	SAC7084220000	Fitting
13	SAC7084240000	Elbow 1/4"bsp Male-6mm Pipe

Item	Part No.	Description
14	SAC7085700000	Union 1/2"bsp Female x 2 l;26mm
15	SAC7090009000	Switch Plug
16	SAC7090080000	Plug
17	SAC7111030000	Pressure Gauge
18.1	SAC7079620000	Panel Seal
18.2	SAC7079620000	Panel Seal
18.3	SAC7079620000	Panel Seal
18.4	SAC7213930000	Soundproof Kit
18.5	SAC5168900038	Side Panel
18.6	SAC5168910038	Front Panel
18.7	SAC5168940038	Rear Panel
18.8	SAC5167300038	Side Panel
18.9	SAC5167290038	Upper Panel

NOTE: It is our policy to continually improve products and as such we reserve the right to alter data, specifications and component parts without prior notice. There may be alternative versions of this product, please contact us should you require this information.

IMPORTANT: No liability is accepted for incorrect use of product. Spare parts must be fitted by a competent person

WARRANTY: Guarantee is 12 months from purchase date, proof of which will be required for any claim.



Parts Information:
**Air Compressor 200L Belt Drive 3hp with
Cast Cylinders Low Noise
Model No: SAC2203BLN.V2**

Item	Part No.	Description
19	SAC7155771000	Instrument Panel
20	SAC7190150000	Non-Return Valve
21	SAC7192010000	Safety valve 10 bar 1/4"bsp male
22	SAC7230010000	Rislan Hose (Sold Per 1 metre)
24	SAC7234530000	Delivery Pipe
25	SAC7239220000	Delivery Pipe
26	SAC7250500000	Pressure Switch 16amp 8-10bar
27	SAC7326650000	Pressure Switch Cable
29	SAC7329050000	Infeed Cable
30	SAC7364420000	Shock Absorber
31	SAC7371310000	Belt
32	SAC1127380796	Motor (Two Capacitors) (External 3hp 230v 50hz)
33	SAC7406160000	Pulley
35	SAC7566190000	Timer

Item	Part No.	Description
36	SCB580.S	Socket Cap Bolt M5 x 80mm
37	SAC7014450000	Screw (M5x50)
38	SAC7014390000	Screw (M5x20)
41	FWM6.S	Flat Washer M6 Zinc
43	MSP516.S	Machine Screw Pan Head Phillips M5 x 16mm
45	FWM8.S	Flat Washer M8 Zinc
46	SS835.S	Hex Head Set Screw M8 X 35 Zinc
48	SN10.S	Steel Nut M10 Zinc
49	SN8.S	Steel Nut M8 Zinc
--	SAC7155820000	Cover Kit, Complete (Not Shown)
--	SAC7328690000	Power Cable (Not Shown)
--	SAC7511530000	Support Bracket For Pressure Switch (Not Shown)
--	SS810.S	Hex Head Set Screw M8x10 (Not Shown)

NOTE: It is our policy to continually improve products and as such we reserve the right to alter data, specifications and component parts without prior notice. There may be alternative versions of this product, please contact us should you require this information.

IMPORTANT: No liability is accepted for incorrect use of product. Spare parts must be fitted by a competent person

WARRANTY: Guarantee is 12 months from purchase date, proof of which will be required for any claim.

Sealey Group, Kempson Way, Suffolk Business Park, Bury St Edmunds, Suffolk. IP32 7AR



01284 757500



01284 703534



sales@sealey.co.uk



www.sealey.co.uk