

KILOTECH

Easy to use reliable scales

VANTA

Need a robust scale that's refined to look great in your store?

The Vanta is designed to be tough with attention to aesthetics and details that enhance the user experience.



K852192	VANTA 15	15 kg x 0.005 kg	888960521922
K852193	VANTA 15P	15 kg x 0.005 kg	888960521939
K852194	VANTA 30	30 kg x 0.01 kg	888960521946
K852195	VANTA 30P	30 kg x 0.01 kg	888960521953



www.kilotech.com

Key features

- Its black housing in hammered cast alloy is extremely durable and complements your store décor.
- Both front and rear screens can be angled for easy viewing from various viewpoints, so counter height, lighting angles and employee height are never an issue.
- Heavy gauge, food grade stainless steel platter is hygienic and easy to clean.
- The thick silicon keypad is designed for long wear and is easily removed for daily cleaning.
- The Vanta's power transformer is concealed in its own compartment, built into the bottom of the scale, with only the wire exposed to streamline the look of your counter.
- The label compartment is right under the platter, so changing labels is a breeze. With no bulky printer drawer to pull out, the smaller footprint lets you use your counter space for impulse buying products!
- Prints quickly and quietly, enhancing your and the customer's experience.

Wouldn't you rather spend your time selling than constantly training new staff?

The Vanta is designed to be intuitive, easy to use and easy to train your staff on, especially with high turnover. The scale is completely

menu-driven using full descriptive sentences. No more time spent trying to figure out codes and keystrokes.

Can't read code? No problem, Vanta uses words.

PLU programming is intuitive, menu-driven and uses complete words, whether you are programming directly on the scale or using the PC software. Your time is too valuable to spend on learning code.

- Easily set discounts on products at the global, PLU and target weight levels.
- Set up PLU's faster with Copy and Paste functionality.
- Easy "Add up" function for when your clients change their minds on an item after the order has been rung up.

Need a scale for back store prepacking?

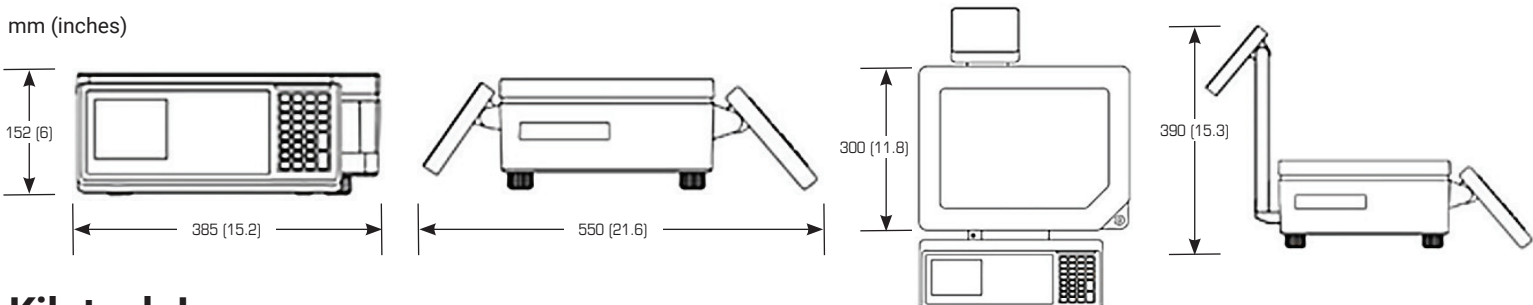
Since your customers buy cucumbers in packs of two, peppers in threes and candies, nuts and spices in bulk, use the Vanta for prepacking, by piece and by count transactions. Increase your productivity by letting the scale do the batch printing so that you can concentrate on weighing, packaging, and labeling.



SPECIFICATIONS

Product Number and Name and GTIN	K852192 VANTA 15 888960521922 K852193 VANTA 15P 888960521939	K852194 VANTA 30 888960521946 K852195 VANTA 30P 888960521953
Capacity - Multi-interval	6/15 kg 15/30 lb	15/30 kg 30/60 lb
Graduation – Multi-interval	0-6 kg: 0.002 kg 6-15 kg: 0.005 kg 0-15 lb: 0.005 lb 15-30 lb: 0.01 lb	0-15 kg: 0.005 kg 15-30 kg: 0.01 kg 0-30 lb: 0.01 lb 30-60 lb: 0.02 lb
Weighing Modes	kg, lb	
Display	LCD (Segment + Dot Matrix) multicolor orange, green, blue backlight	
Display Digits	Display Digit: 5 digit Tare / 5 digit Weight / 6 digit Unit Price / 7 digit Total Price	
Power	120 V AC-DC Adapter	
Product Dimensions	See Diagrams	
Platter Size	382 x 300 mm / 15.04 x 11.8 inches	
Operating Temperature / Humidity	-10°C ~ 40°C (14°F ~ 104°F)	
Pricing Units	\$/kg , \$/100g, \$/lb	
Unit Price Range	0.00 - 9999.99 \$/kg or \$/lb	
Total Price Range	0-999.99\$ (limited by bar code)	
USB , Ethernet, and Serial Port	Yes, USB is for data transfer only	
PLU	999,999	
Printer Barcode Formats	EAN 13, EAN 8, UPC A, UPC E, ITF, CODE39, CODE93, CODE128, CODABAR As well, 20 preprogrammed barcodes	
Printer	Direct Thermal Print. Speed 120 mm/sec.	
Image Formats	The logo/picture format on the label is BMP or JPEG. Maximum size should not exceed 200 x 200 DPI. Any larger and the print speed will start to slow down.	
Speed Keys	168 (56 x 3 layers) PLU	
Label Formats	Width: up to 56 mm Length: up to 110 mm 15 Preformatted , 3 sizes gap labels, 2 size labels for Nutritional Facts 58 x 40mm and 58 x 80mm. Nutritional Facts for Canada and USA. Labels are bilingual. Many more size options available for customized labels. Programmed by your Authorized Dealer	
Measurement Canada and NTEP approval	AM-6181 NTEP CC 21-018	
Warranty	1 year	

mm (inches)



Kilotech Inc.

2111 32nd avenue, Lachine, QC H8T 3J1

Phone Canada: 1-800-694-4445 | Montreal: 1-514-420-6020 | USA: 1-877-328-5988

www.kilotech.com

You can count on your Kilotech scale to ensure profitability, consistency and eliminate wastage. Every time.

MAR04212023

