

# KILOTECH

## LE.3K INTEGRATOR

The LE.3k, an easy-to-use label printing scale, loaded with enough features to run your sales counter on its own or integrate it with your inventory management system. So easy to program, training is a breeze. Used at checkout or the deli, fish, meat and cheese stations. Don't worry about the height of your counter as the LCD screen is viewable from any angle and in all lighting conditions. Legal for Trade in Canada and the USA and includes a 2-year warranty.



### Key features:

- 126 Speed keys for the most popular PLUs.
- Multi-interval 30 kg or 60 lb capacity for weighing a greater range of products.
- Sell by kg, lb, 100g or pieces.
- Fully integrated label printing scale.
  - Various label formats, preprinted and custom templates available.
  - Pre-formatted labels and barcodes to work with Kilotech gap labels.
  - Mass production prepack, auto-print and save modes.
  - Easy to use reporting templates.
- Using your scale in various parts of the store or at various stores? Centralized software application to set up or make changes to your scale(s). Ensure consistency amongst terminals and centrally collect data for reporting. Download to Excel and upload to your ERP, or vice versa, using our KKbase software!
- Multiple high contrast LCD screens, viewable from any angle or lighting conditions.
- Easy to set up, use and train your staff.

851340 – LE.3k Integrator Multi-interval 0-15 kg x 0.005 kg & 15-30 kg x 0.01 kg 0-30 lb x 0.01 lb & 30-60 lb x 0.02 lb GTIN 888960513408



[www.kilotech.com](http://www.kilotech.com)



## Are high counters or bright lighting making it hard to see the screen?

You may not always have the ideal spot to place your scale. The new LE.3k, designed with a high contrast LCD screen, is viewable from any angle and in all lighting conditions. Now even your short and tall staff (and customers!) can see the screen, no matter the counter height!

## Don't have the time to create custom labels and barcodes?

The LE.3k comes with a variety of pre-set pricing and nutritional facts labels. Simply add in your data and logo and you are ready to go.

## Want to bring your branding to the next level?

20 different pre-programmed barcodes formats, in addition to QR codes, shelf-life data, packed for/by, cooking instructions, allergy warnings, country of origin etc...



## Is training your staff cumbersome?

It doesn't have to be. The LE.3k is simple to use and even has a QR code right on the scale that brings your staff directly to our training videos and materials. 126 Fast programming keys so they can quickly access frequently used features. Your vendor can set up your scale so your staff only have access to the data they need. As an owner/manager, you have access to their activity with user controls with detailed salespeople/clerk information including passwords and protections.

## Want data quickly, so you can make well informed business decisions?

All your PLU data can be viewed on a single screen, streamlining PLU data entry. Automate by scheduling your PLU updates and synchronizing your data. Customize your reports to contain all the information you require to make business decisions using item, sales, operator, inventory, and Z reports. Produce detailed batch reports for billing and record keeping. Accumulate transactions. Generate shipping manifests and create stock orders. Easily transfer data off the scale to your PC with a USB key, via WI-FI or TCP/IP.

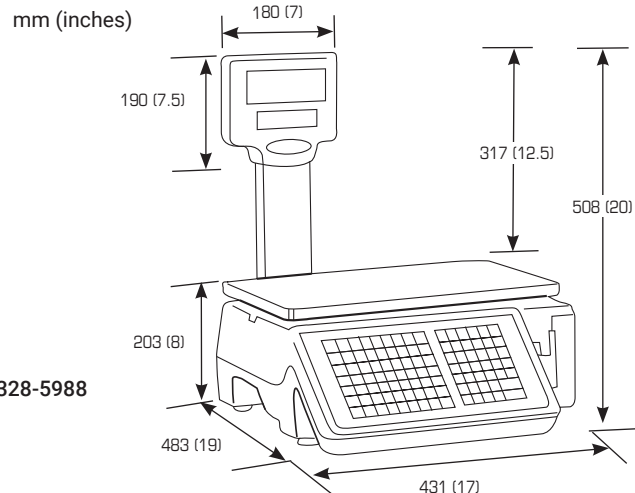
## Using your scale in various parts of the store or at various stores?

Centralized software application to set up or make changes to your scale(s). Ensure consistency amongst terminals and centrally collect data for reporting. Download to Excel and upload to your ERP, or vice versa, using our KKbase software!



# SPECIFICATIONS

|   |  |
|---|--|
| <b>Product Number</b>                       | 851340 / 881340  |
| <b>Product Name</b>                         | Integrator LE.3k   |
| <b>Capacity</b>                             | 30 kg / 60 lb  |
| <b>Graduation</b>                           | 0-15 kg: 0.005 kg / 15-30 kg: 0.01 kg<br>0-30 lb: 0.01 lb / 30-60 lb: 0.02 lb  |
| <b>Weighing Modes</b>                       | kg, lb   |
| <b>Display</b>                              | Display Pole mounted, window displays including 4 LED screens and a dot matrix text screen for PLU descriptions  |
| <b>Display Digits</b>                       | Display Digit 4 digit Tare / 5 digit Weight / 6 digit Unit Price / 6 digit Total Price   |
| <b>Power</b>                                | 21VDC, AC adaptor  |
| <b>Product Dimensions</b>                   | 17 x 19 x 20" / 43 cm x 48 cm x 51 cm  |
| <b>Platter Size</b>                         | 15.5 x 10" / 39 x 25 cm  |
| <b>Operating Temperature / Humidity</b>     | 0°C-40°C / 50°F-104° F<60% RH non condensing 15%<br>-85% Relative humidity non condensing  |
| <b>Pricing Units</b>                        | \$/kg, \$/100g, \$/lb, pcs   |
| <b>Unit price range</b>                     | 0.00-9999.99\$/kg or \$/lb   |
| <b>Total price range</b>                    | 0-999.99\$ (limited by barcode)  |
| <b>USB, Ethernet, WIFI and Serial Port</b>  | Yes, USB is for data transfer only   |
| <b>PLU</b>                                  | Max PLU 6500 PLUs (maximum 875 characters per PLU)   |
| <b>Printer Barcode Formats</b>              | EAN13, EAN8, UPCA, UPCE, EA-128C, Customized by Authorized Dealer: QR, ITF25, PDF417, EAN-128, EAN28 char mode. As well, 20 preprogrammed barcodes   |
| <b>Printer</b>                              | Direct Thermal Print - 56 mm print head  |
| <b>Image Formats</b>                        | Maximum 15 images compatible with all common image files 300 x 200 DPI (black and white) (can not use all 15 on one label): BMP, JPEG, TFT, etc. Customized by Authorized Dealer   |
| <b>Speed Keys</b>                           | 126 with shift key, 63 without shift key   |
| <b>Label Formats</b>                        | 14 Preformatted, 3 sizes gap labels, 2 size labels for Nutritional Facts 58 x 40 mm and 58 x 80 mm. Nutritional Facts for Canada and USA. Labels are bilingual. Many more size options available for customized labels. Programmed by your Authorized Dealer |
| <b>Measurement Canada and NTEP approval</b> | AM-5818  |
| <b>Warranty</b>                             | 2 year   |



## Kilotech Inc.

2111 32nd avenue, Lachine, QC H8T 3J1

Phone Canada: 1-800-694-4445 | Montreal: 1-514-420-6020 | USA: 1-877-328-5988

[www.kilotech.com](http://www.kilotech.com)

MAR0722021