

KILOTECH

Easy to use reliable scales

INTEGRATOR TI-30

Scale up your retail operations

Touch Screen. Intuitive. Multiple Label Formats.



K851514

TI 30 INTEGRATOR

30 kg x 0.01 kg or 60 lb X 0.2 lb

888960515143



www.kilotech.com

Key features



Touch screens



Customizable labels



Sleek and modern design



Retail management systems



Screens can be angled



Legal for trade approved



WIFI



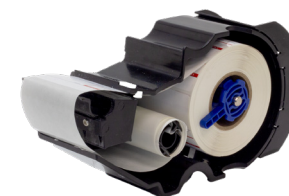
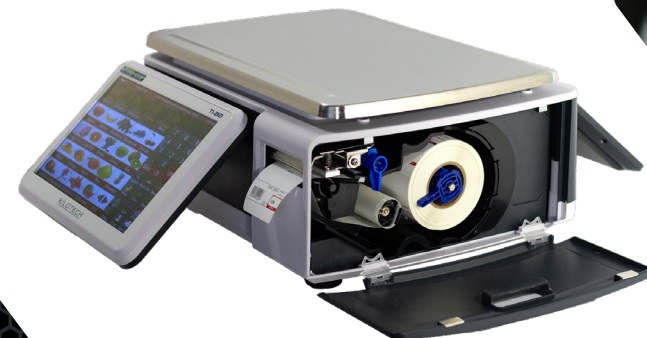
Fast reload

User friendly technology to unlock the full potential of your business!

- Inventory management has never been easier and more profitable with enhanced reporting functions and trace reports
- Quick and easy data import and export
- Multilingual information management settings
- Easy software settings

Tailored labels for your needs

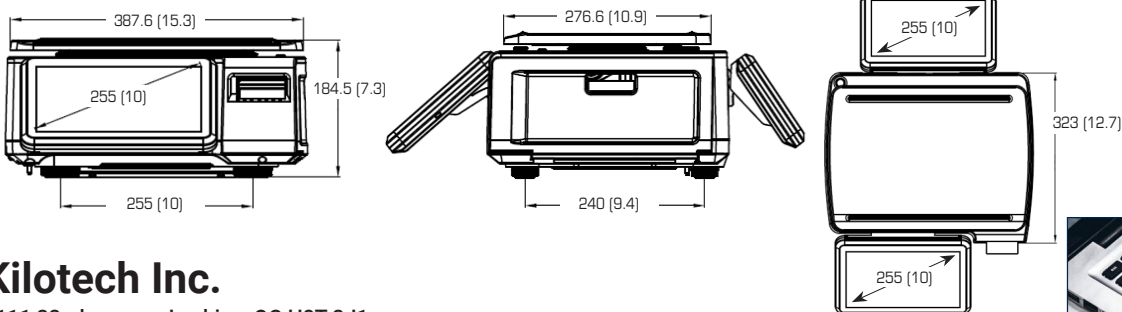
- Whether you need to display **nutrition facts**, **allergen details**, or **custom data**, the TI-30 offers a range of label options that adapt seamlessly to your product information length
- Continuous **labels automatically adjust** to fit each product's information, **reducing wasted labels**. The TI-30 allows you to select from standard label sizes, continuous labels, or switch between them effortlessly
- Choose from **standard label sizes** or **create your own**, simplifying inventory management like never before



SPECIFICATIONS

Product Number and Name and GTIN	K851514 - TI 30 INTEGRATOR - 888960515143
Capacity - Multi-interval	15/30 kg 30/60 lb
Graduation – Multi-interval	0-15 kg: 0.005 kg 15-30 kg: 0.01 kg 0-30 lb: 0.01 lb 30-60 lb: 0.02 lb
Weighing Modes	kg, lb
Pricing Units	\$/kg, \$/100g, \$/lb
Display	10.1" LCD color resistive touch screen for the operator (1280 x 800) 10.1" LCD color customer display (1280 x 800)
Display Digits	5 digit Tare / 4 digit Gross weight / 6 digit net, unit, total price
Power	AC100~240V 50/60 HZ Adapter
Product Dimensions	See Diagrams
Platter Size	280 x 385 mm / 11" x 15.16" / Stainless steel
Scale Housing	ABS
Scale Frame and Subframe	Aluminum
Operating Temperature	0°C ~ 40°C (32°F ~ 104°F)
Label Formats	15 Preformatted, 3 sizes gap labels, 2 size labels for Nutritional Facts 58 x 40mm and 58 x 80mm. Nutritional Facts for Canada and USA. Labels are bilingual. Many more size options available for customized labels. Programmed by your Authorized Dealer.
Label	Gap and continuous
Max Label Print	Width x Length: 56 x 300mm
Printer	Direct Thermal Print. Speed 120 mm/sec.
Communication Ports	2 x USB 2.0 / 2 x RS232 / 1 x RJ45 for ethernet / 1 x RJ11
Memory	RAM 2GB Flash 8GB
WIFI	Yes
Prepack Mode	Yes for prepacking only. Not for direct sales.
Other Features	Autozero Tracking, Programmable TARE, Standby, Sleep Mode, PLU
Measurement Canada and NTEP approval	AM-6098; CC 18-034

mm (inches)



Kilotech Inc.

2111 32nd avenue, Lachine, QC H8T 3J1

Phone Canada: 1-800-694-4445 | Montreal: 1-514-420-6020 | USA: 1-877-328-5988

www.kilotech.com

You can count on your Kilotech scale to ensure profitability, consistency and eliminate wastage. Every time.

