



OCSA Series

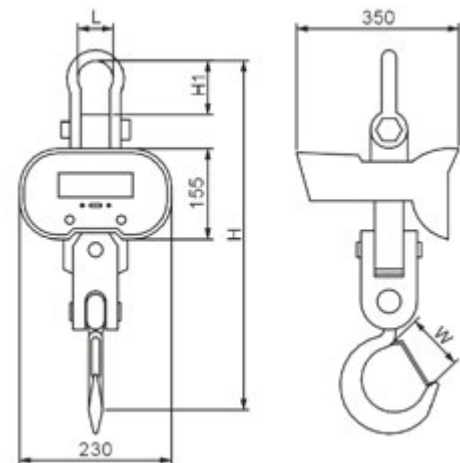
FEATURES

- Fast resolution switching
- 38mm 5 digits LED display
- Fixed hook
- Idle mode to maximize the battery life
- HOLD function
- Tare In / Tare Out
- Unit switch: kg / lb
- Auto overload alarm at 100%F.S. +9e
- Auto power-off function

OPTION

- Wireless Scoreboard
- LCD display version, model OCSA4

Model	OCSA3
Type	General
Accuracy Class	OIML III
Enclosure	Die-casting aluminum
Display	38mm LED
Capacity Available	20 / 30 / 40 Klb
Battery Life	100 Hours
High Quality Load Receptor	Alloy Steel
Shackle	H.D. Bow
Hook	H.D. Eye
High Capacity Rechargeable Battery	Yes 6V/10Ah
Infrared Remote Control	Yes



Rated Capacity	Division	H	H1	L	W	N.W.	G.W.
20Klb	10 lb	770mm / 30.31"	147mm / 5.71"	94mm / 3.70"	60mm / 2.36"	43kg / 94.8 lb	50kg / 100.2 lb
30Klb	10 lb	860mm / 33.86"	178mm / 7.01"	128mm / 5.04"	75mm / 2.95"	61kg / 134.5 lb	73kg / 160.9 lb
40Klb	20 lb	950mm / 37.40"	250mm / 9.84"	135mm / 5.31"	75mm / 2.95"	64kg / 141.1 lb	76kg / 167.6 lb

*Dimensions and specifications are subject to change without notice.