



Picture is a representation of actual product.

Approvals

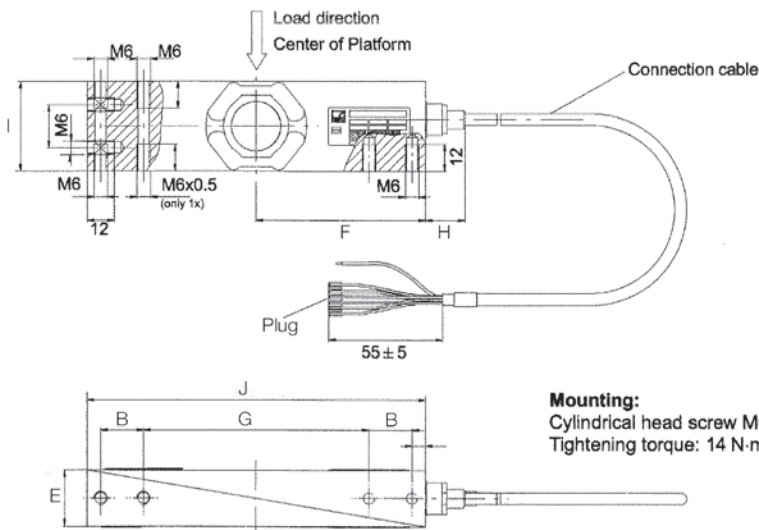


Order Information

Load Rating	Part #	Est. Weight	Price
10 ft Cable			
10 kg	108685	3 lb	Consult
20 kg	108686	3 lb	Consult
50 kg	108687	3 lb	Consult
100 kg	108688	3 lb	Consult
2.83 ft Cable			
10 kg	107174	3 lb	Consult
20 kg	107175	3 lb	Consult
50 kg	107176	3 lb	Consult
100 kg	107177	3 lb	Consult

Dimensions

Rated Capacity	B	E	F	G	H	I	J
kg/mm							
10 to 100	19.0	25.0	75.0	100.0	17.5	40.0	150.0



Interchangeable Products

HBK®
PW15AH page 230

Specifications

- Full Scale Output:**
2.0 mV/V
- Output Resistance:**
350 (± 10) ohm
- Input Resistance:**
380 (± 15) ohm
- Material/Finish:**
Stainless steel
- Temperature:**
Compensated range
14 °F to 104 °F (-10 °C to 40 °C)
Operating range
0 °F to 150 °F (-18 °C to 65 °C)
- Seal Type:**
Hermetically sealed, IP69K
- Safe Overload:**
150% full scale
- Rated Excitation:**
5 to 10 VDC (15 V maximum)
- Combined Error:**
0.02% full scale
- Insulation Resistance:**
1,000 megohm
- Cable Length:**
10 ft
2.83 ft
- Cable Diameter:**
0.212 in PVC jacket
- Platform Size:**
500 × 400 mm
- Cable Color Code:**
Blue +Excitation
Black -Excitation
White +Signal
Red -Signal
Green +Sense
Grey -Sense
- Warranty:**
Two-year limited
- Approvals:**
FM
NTEP 09-015

**RICE LAKE
LOAD CELLS**