

DOUBLE-ENDED BEAM  
**RL72020P**

Alloy Steel, Environmentally Sealed, NTEP Certified 1:5,000 Class III L Multiple Cell, IP67



Picture is a representation of actual product.

Approvals

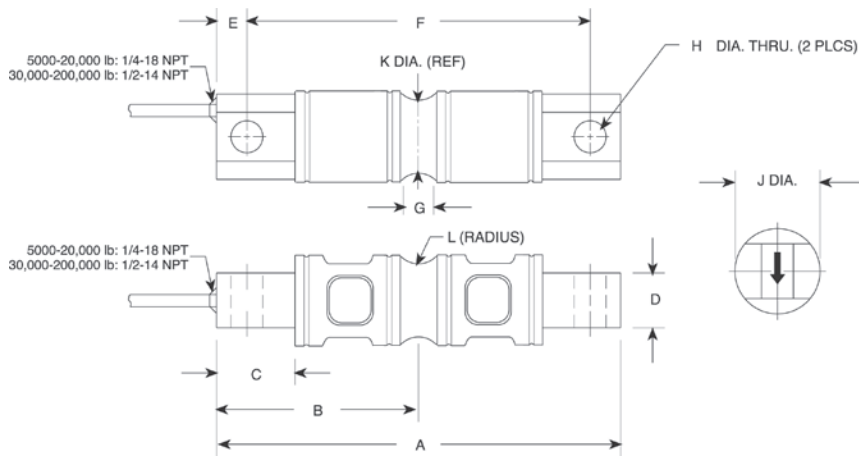


Order Information

Load Rating	Part #	Est. Weight	Price
5,000 lb	201769	5 lb	Consult
10,000 lb	201770	6 lb	Consult
20,000 lb	201771	7 lb	Consult
30,000 lb	201772	18 lb	Consult
40,000 lb	201773	18 lb	Consult
50,000 lb	201774	18 lb	Consult
60,000 lb	201775	18 lb	Consult
100,000 lb	201776	28 lb	Consult
150,000 lb	201777	34 lb	Consult
200,000 lb	201778	90 lb	Consult
250,000 lb	201779	93 lb	Consult

Dimensions

Rated Capacity	A	B	C	D	E	F	G	H	J	K	L
5,000 to 10,000	8.12	4.06	1.44	1.12	0.62	6.88	0.62	0.66	1.70	1.48	0.50
20,000	8.12	4.06	1.44	1.12	0.62	6.88	0.84	0.66	1.95	1.48	0.50
30,000 to 60,000	10.25	5.12	1.88	2.37	0.88	8.50	1.00	1.06	3.20	2.73	1.00
100,000	11.25	5.62	1.88	2.50	0.88	9.50	1.00	1.06	3.50	3.24	1.50
150,000	11.25	5.62	1.88	2.80	0.88	9.50	1.25	1.06	3.90	3.64	1.50
200,000 to 250,000	16.10	8.05	3.05	4.60	1.55	13.00	1.30	1.56	5.38	5.17	2.00



Interchangeable Products

- RICE LAKE WEIGHING SYSTEMS  
**RL70000\*** ..... page 128
  - RICE LAKE WEIGHING SYSTEMS  
**RL70000 Painted** ..... page 129
  - VPG® REVERE  
**5103\*** ..... page 255
  - ARTECH®  
**70210**
  - METTLER-TOLEDO®  
**SLD 430**
- \*Cells are unpainted

Weigh Module Available

- RICE LAKE WEIGHING SYSTEMS  
**EZ Mount 1** ..... page 62

Specifications

- Full Scale Output:**  
3.0 mV/V
- Output Resistance:**  
5 to 10 k: 703 (± 4) ohm  
20 to 150 k: 700 (± 5) ohm  
200 to 250 k: 700 (± 5) ohm
- Input Resistance:**  
5 to 10 k: 700 (± 14) ohm  
20 to 150 k: 770 (± 10) ohm  
200 to 250 k: 700 (± 14) ohm
- Material/Finish:**  
High-alloy steel, nickel plated
- Temperature:**  
Compensated range  
14 °F to 104 °F (-10 °C to 40 °C)  
Operating range  
0 °F to 150 °F (-18 °C to 65 °C)
- Seal Type:**  
Environmentally sealed, IP67
- Safe Overload:**  
150% full scale
- Safe Sideload:**  
100% full scale
- Rated Excitation:**  
5 to 10 VDC (15 V maximum)
- Combined Error:**  
0.02% full scale
- Insulation Resistance:**  
5,000 megohm
- Deflection at Capacity:**  
5,000 lb: 0.02 in  
10,000 lb: 0.025 in  
20,000 lb: 0.042 in  
30,000 to 50,000 lb: 0.02 in  
60,000 lb: 0.025 in  
100,000 lb: 0.02 in
- Cable Length:**  
30 ft
- Cable Diameter:**  
5,000 to 20,000 lb: 0.200 in  
30,000 to 250,000 lb: 0.305 in  
Polyurethane jacket
- Cable Color Code:**  
Red +Excitation  
Black -Excitation  
Green +Signal  
White -Signal
- Warranty:**  
Two-year limited
- Approvals:**  
cFMus  
NTEP 21-064

RICE LAKE  
LOAD CELLS