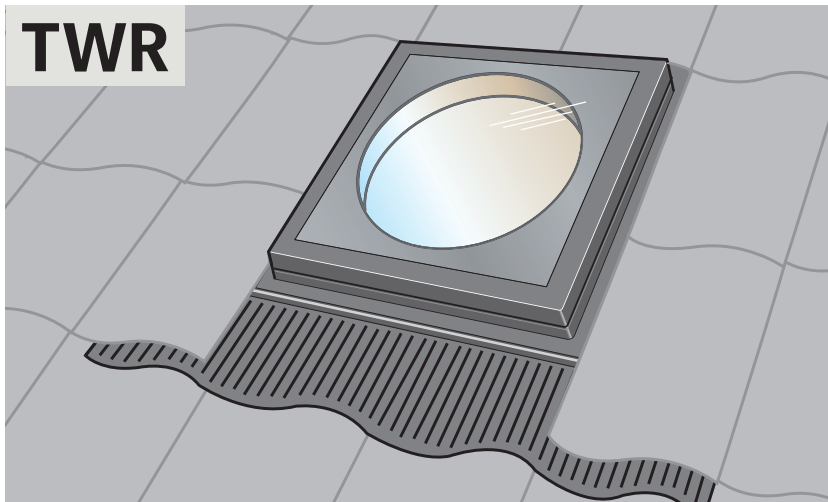
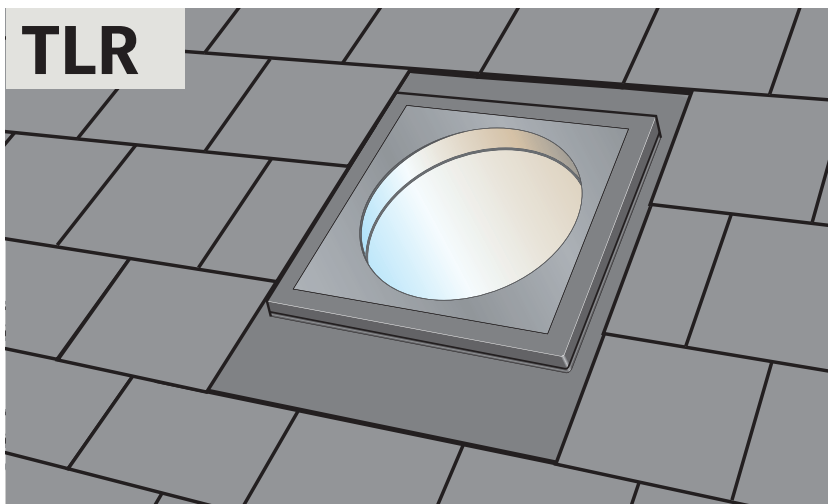


TWR



Pages
2-10
+
18-26

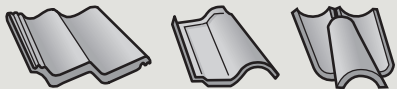
TLR



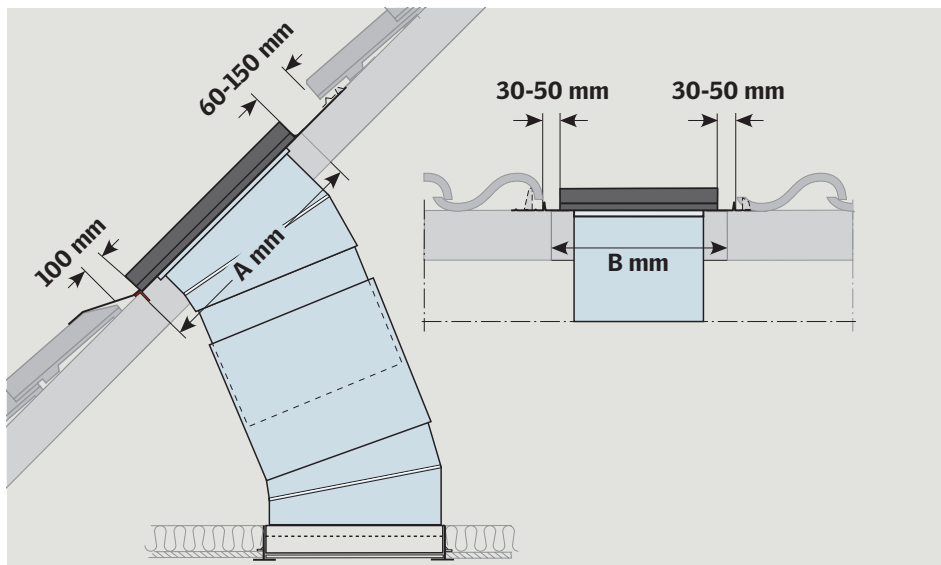
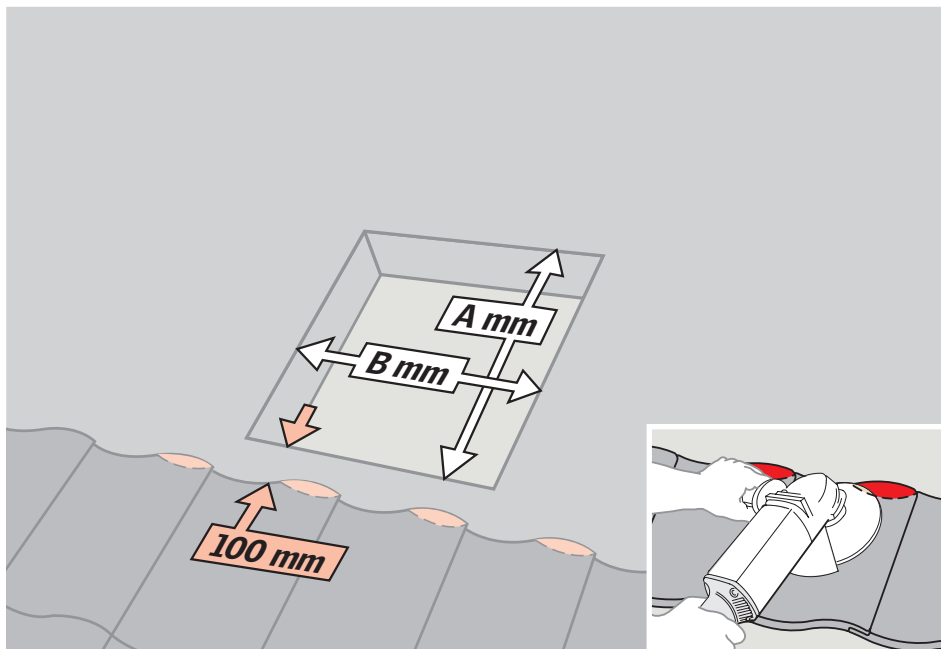
Pages
12-26



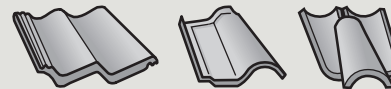
1a



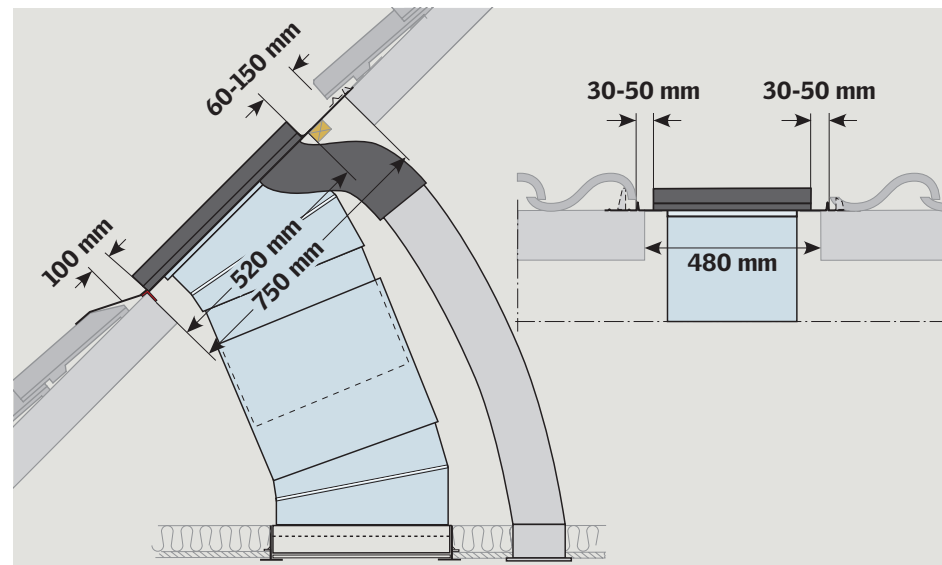
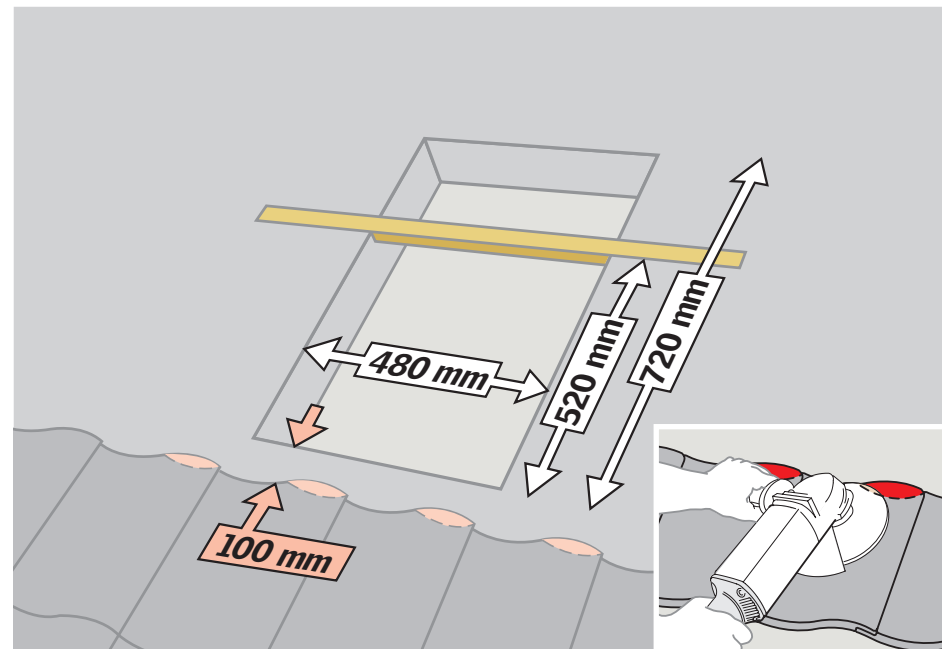
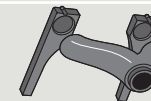
	A mm	B mm
TWR 010	420	380
TWR 014	520	480

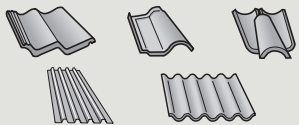



1b

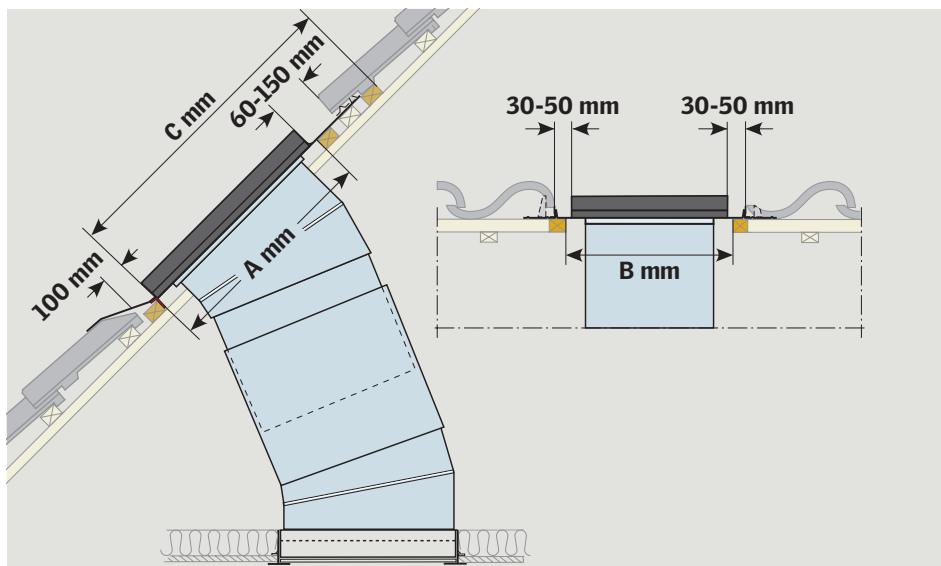
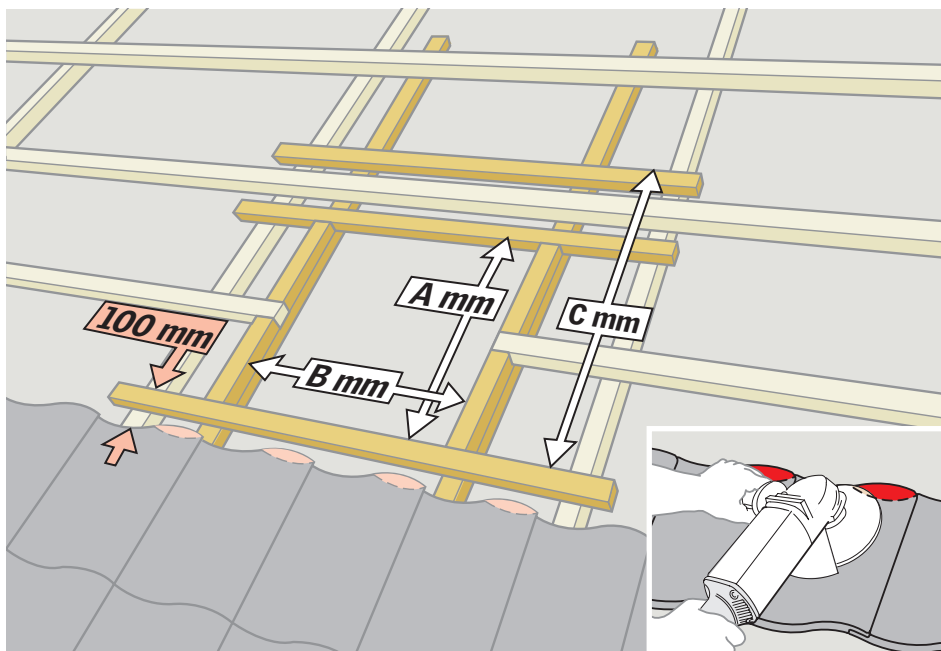
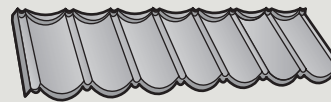



TWR 014 + ZTV

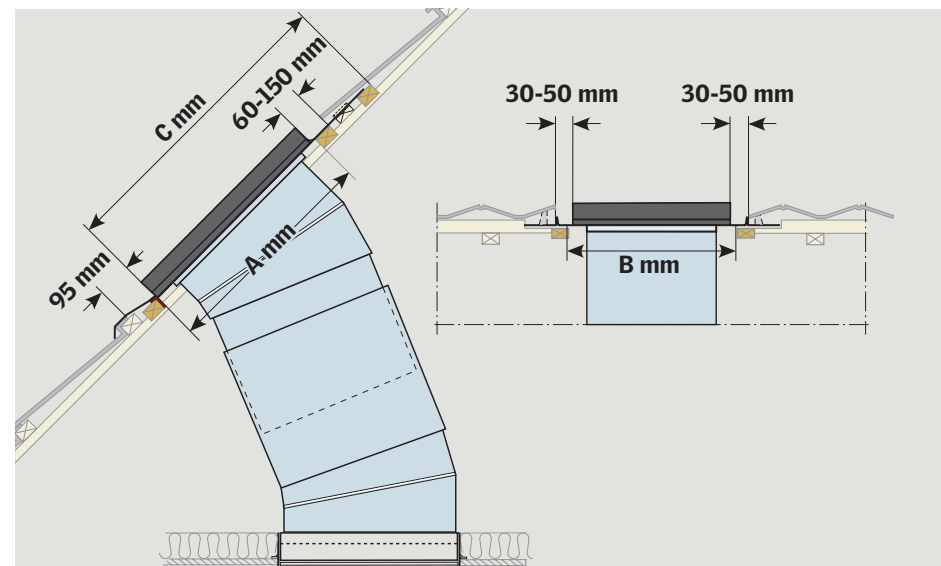
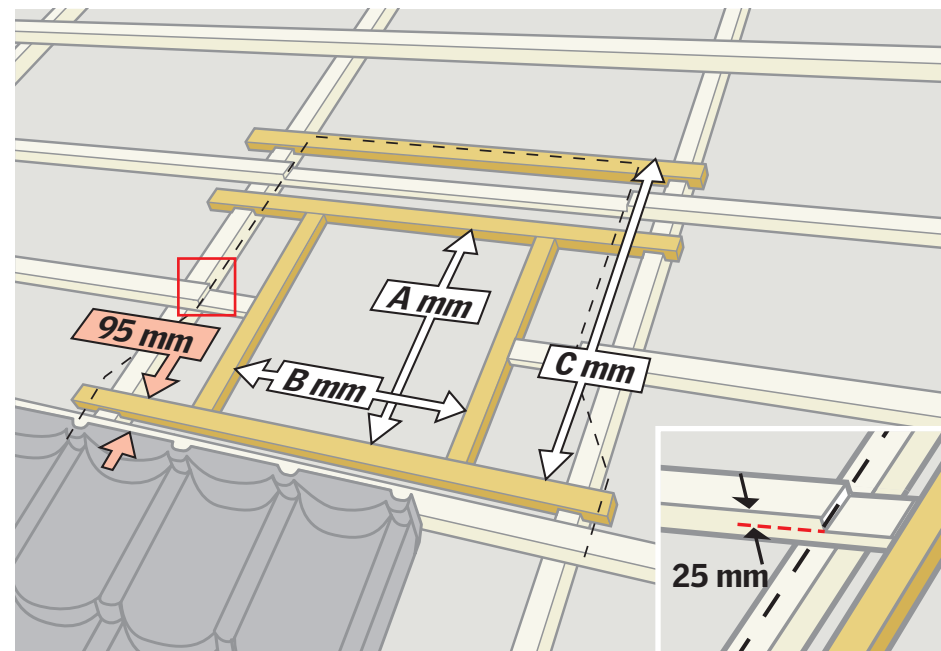


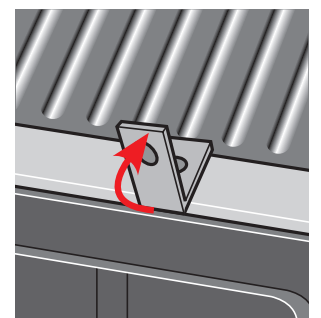
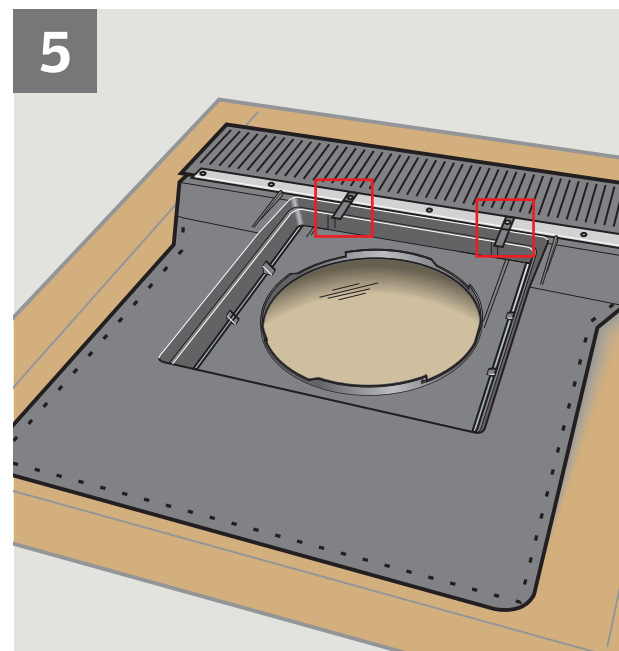
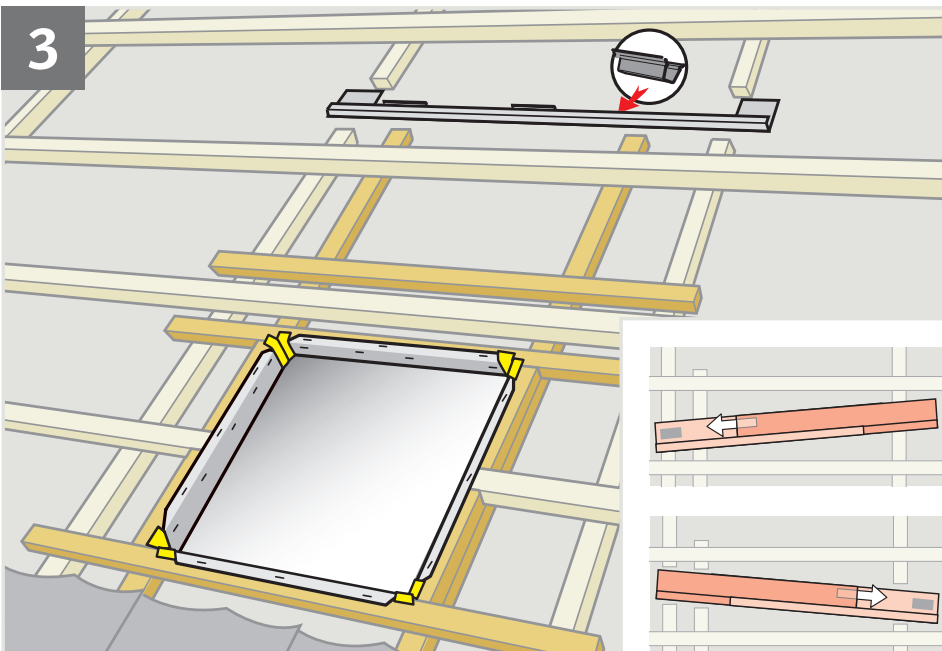
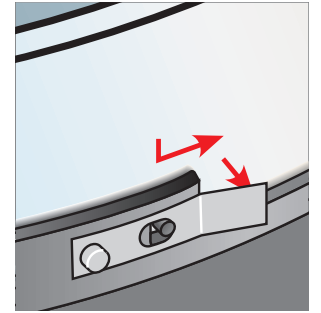
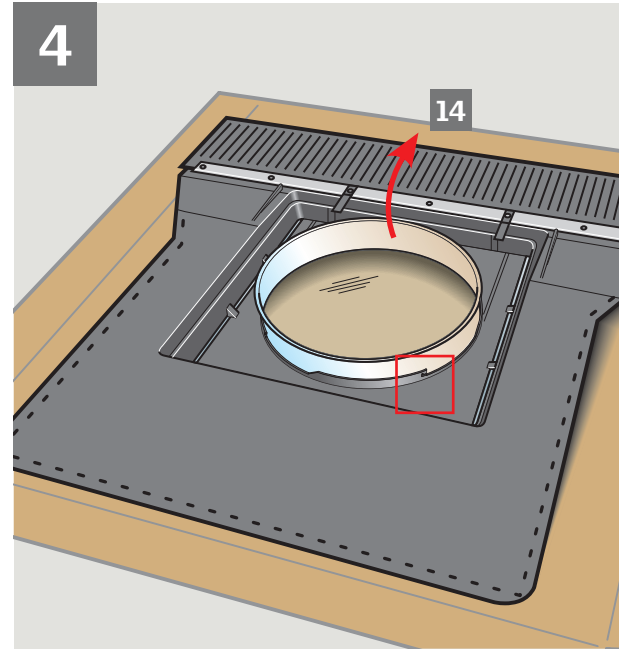
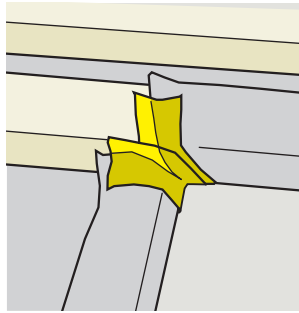
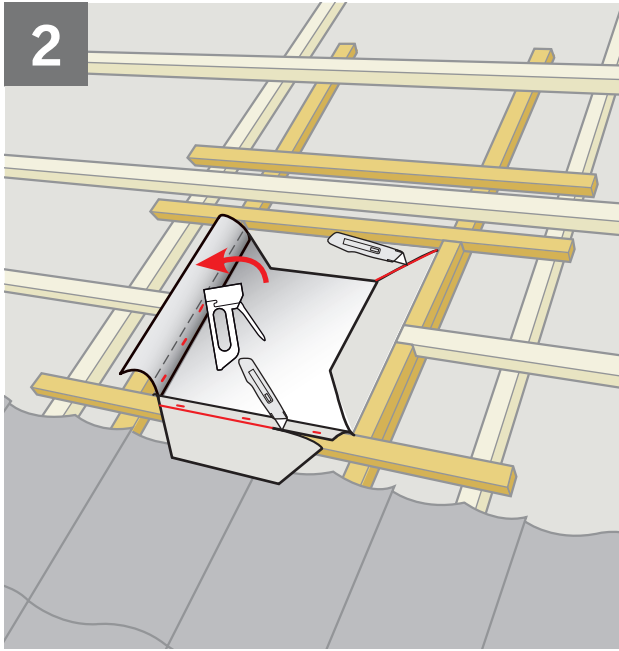
1c

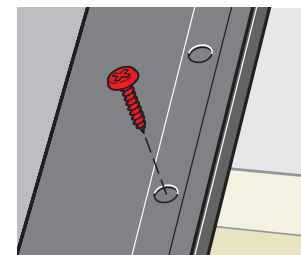
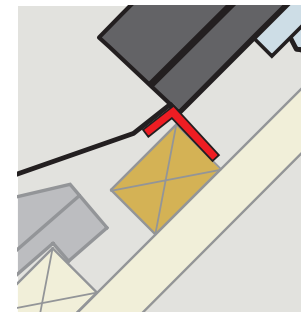
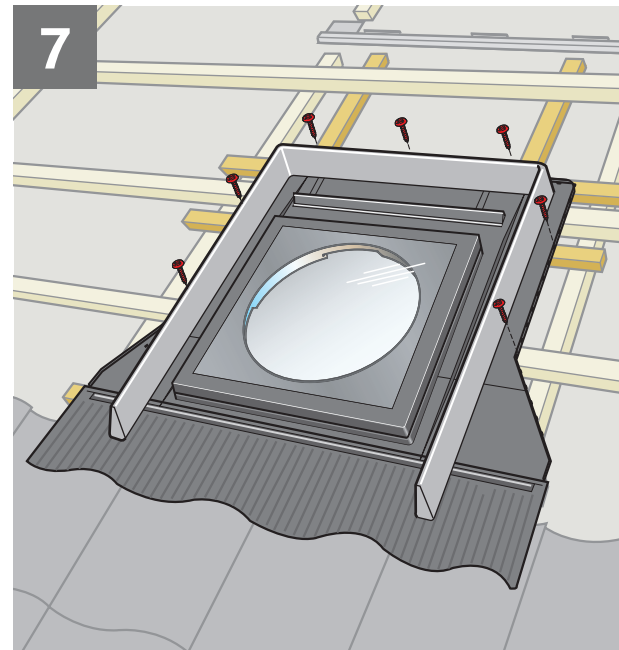
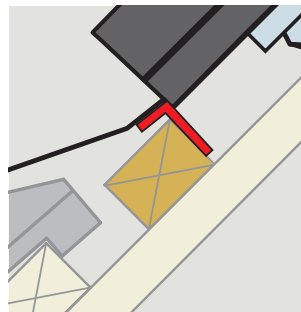
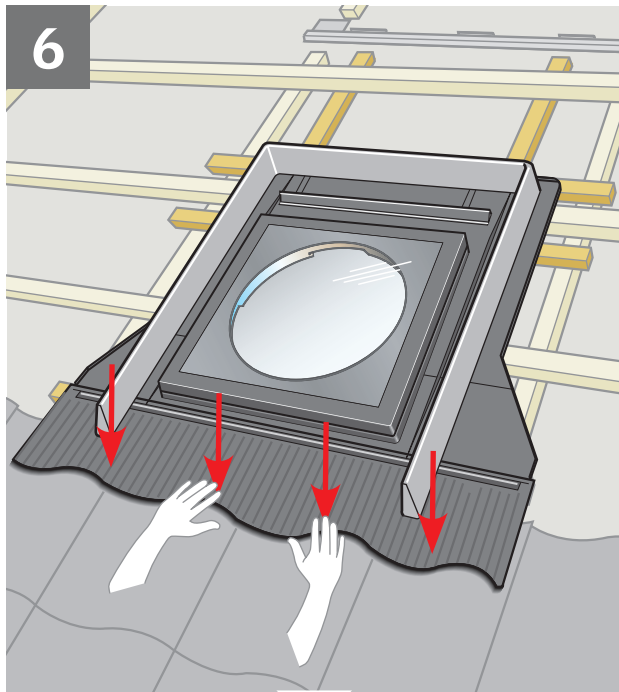
	A mm	B mm	C mm
TWR 010	360-420	380	600
TWR 014	460-520	480	700

**1d**

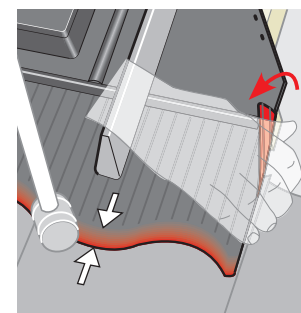
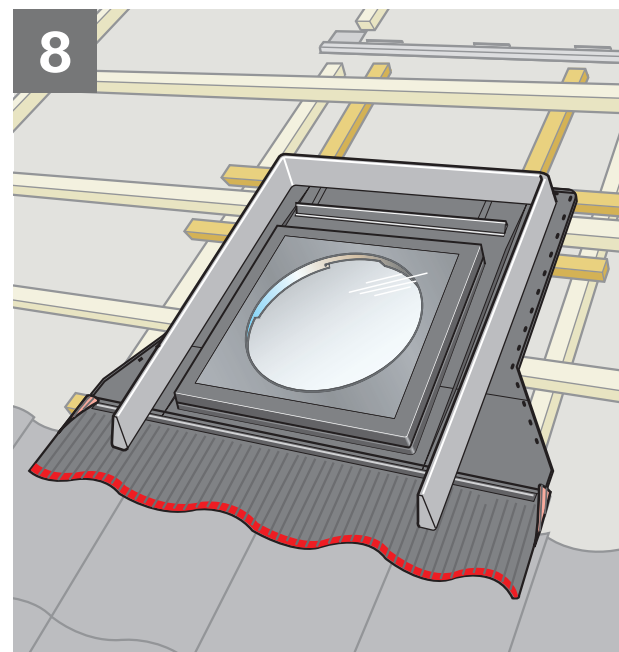
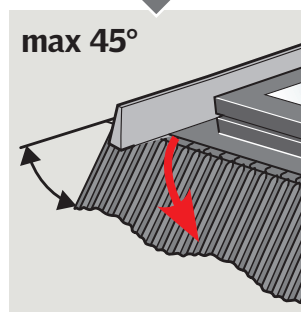
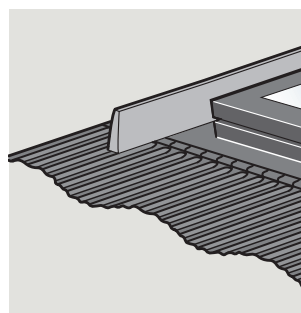
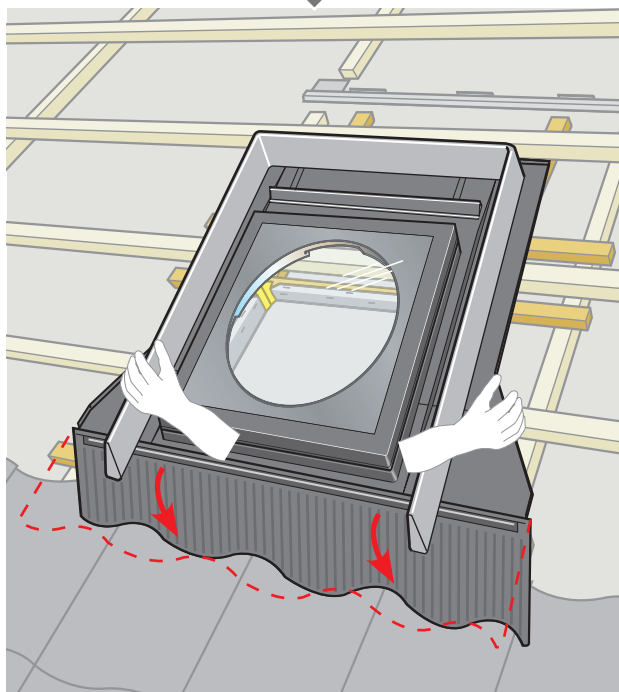
	A mm	B mm	C mm
TWR 010	360-420	380	600
TWR 014	460-520	480	700



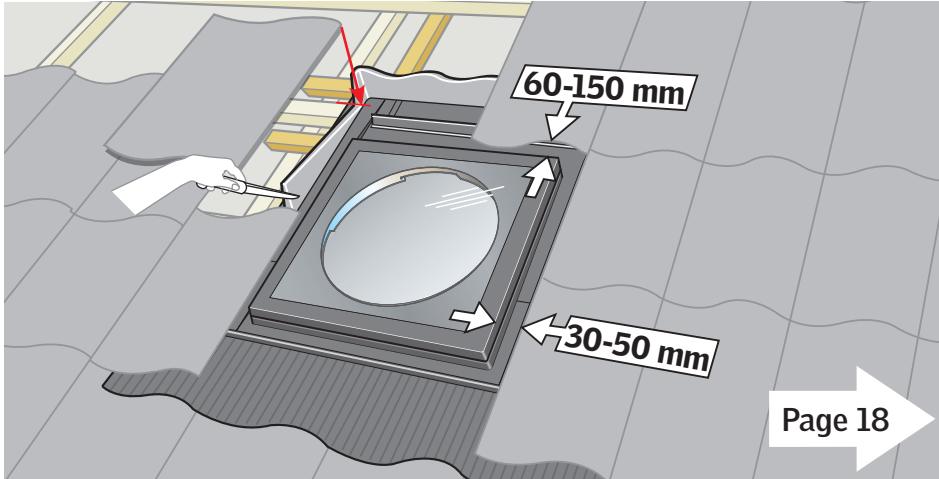




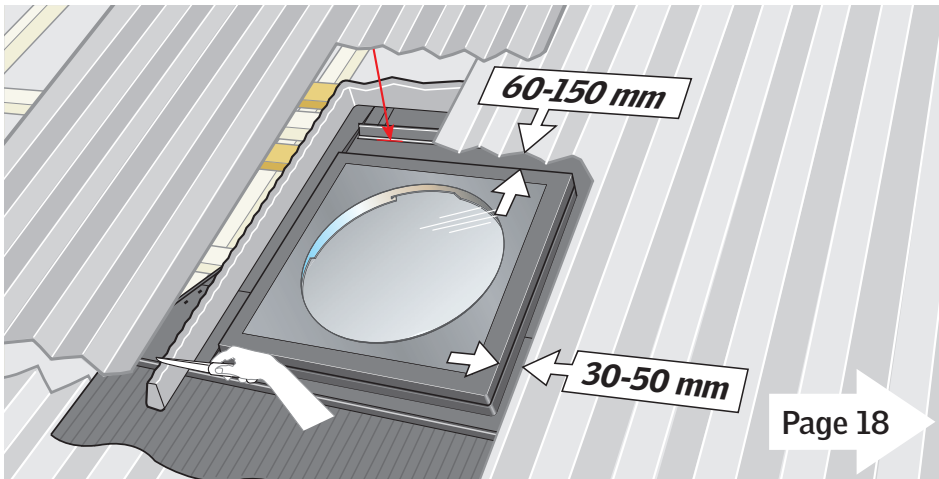
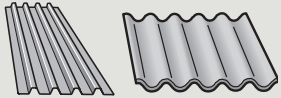
7 x 




9a

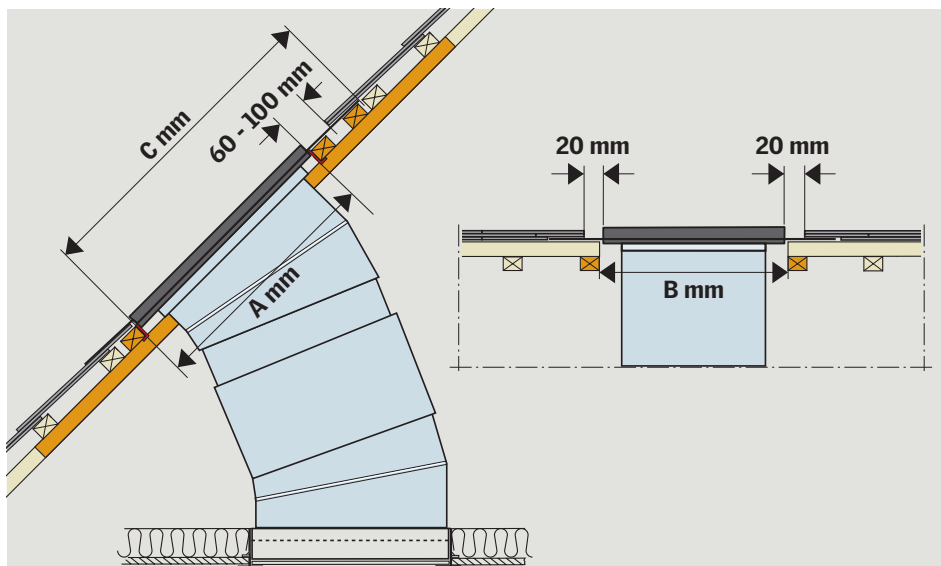
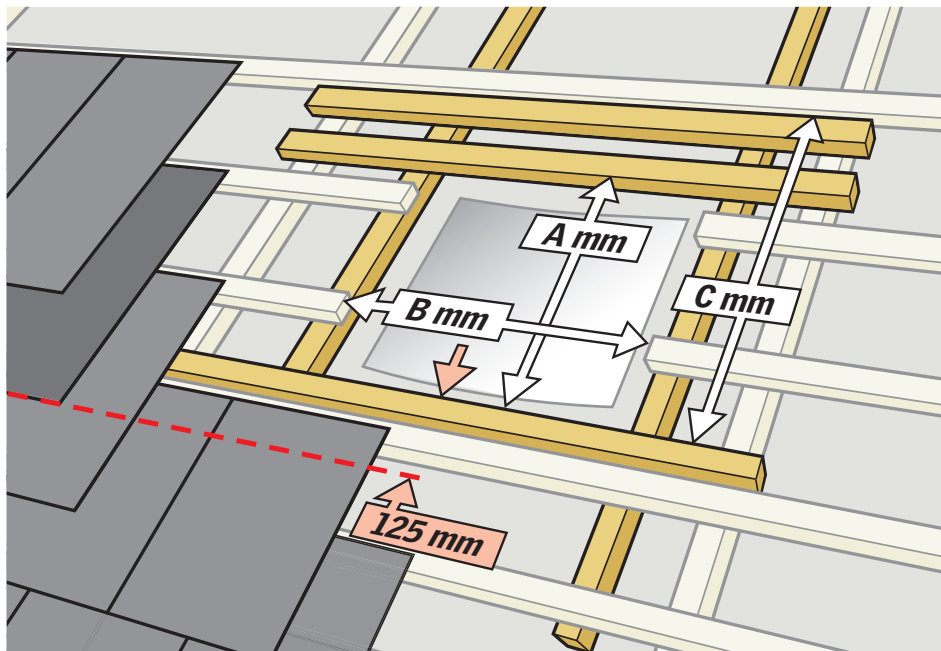
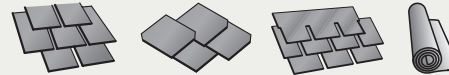



9b

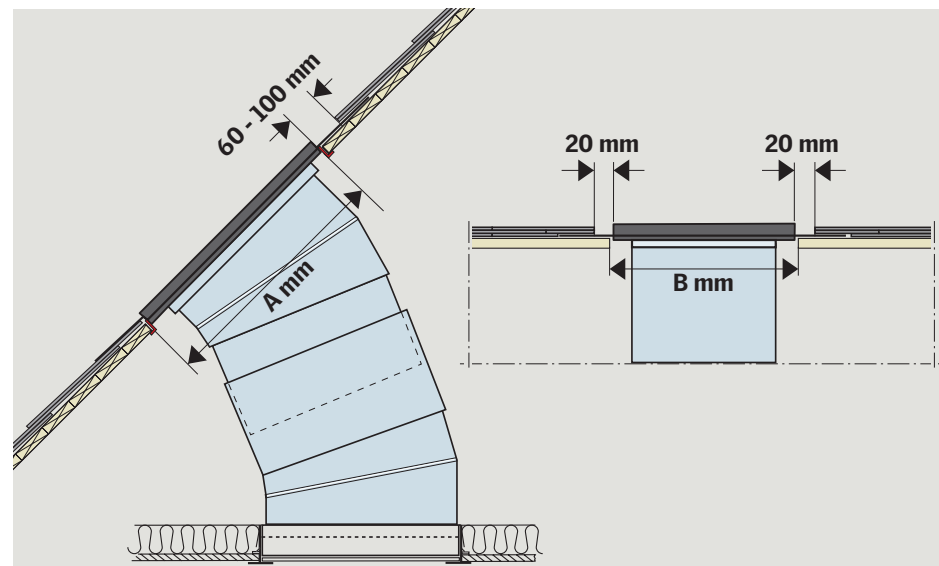
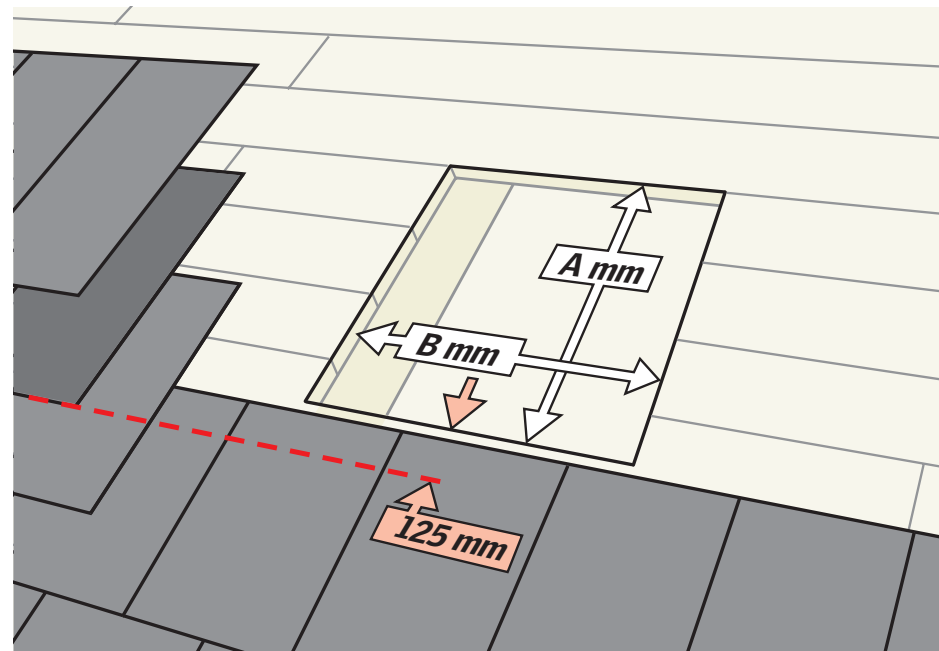


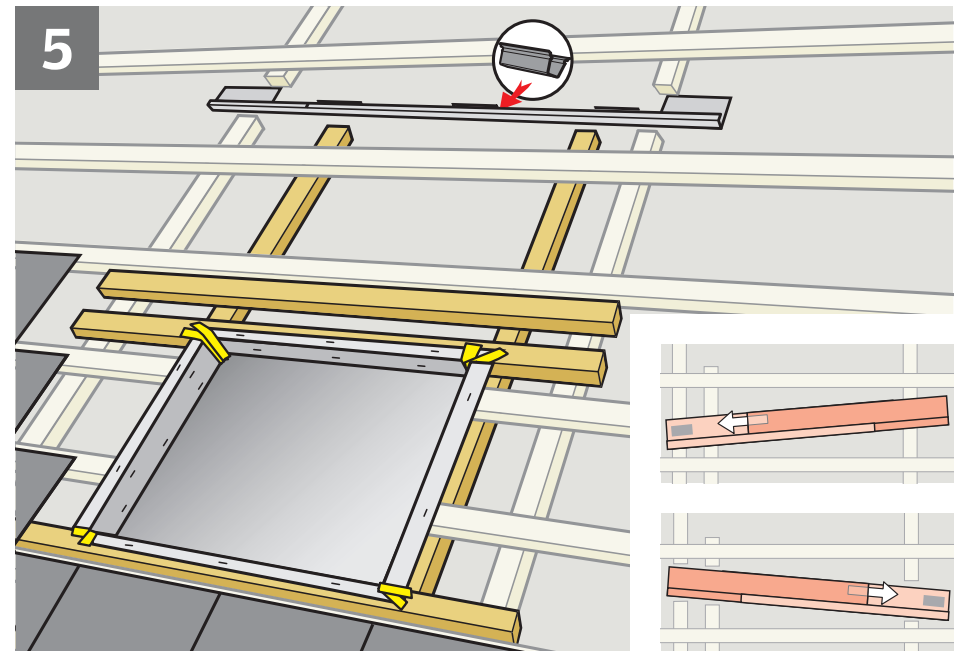
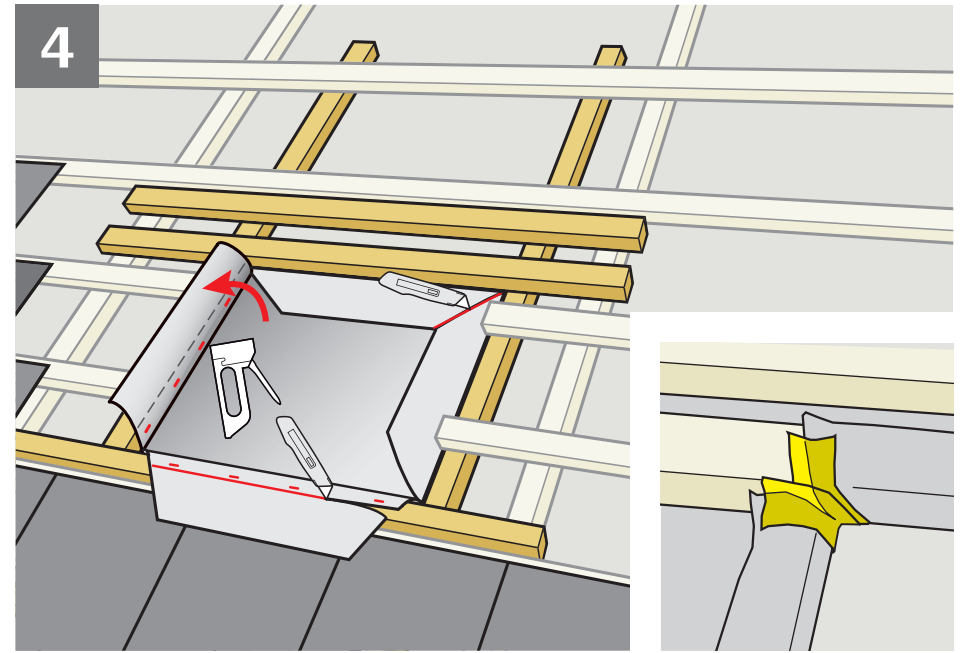
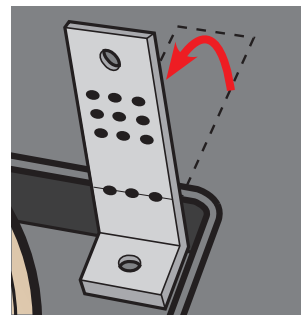
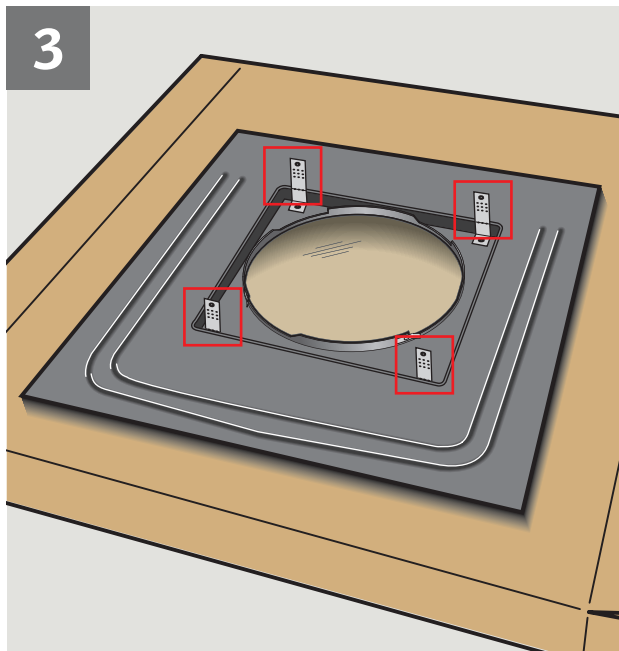
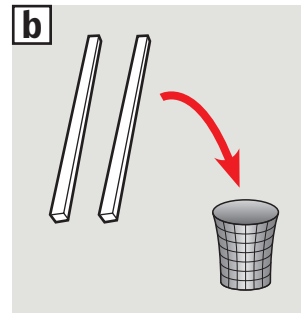
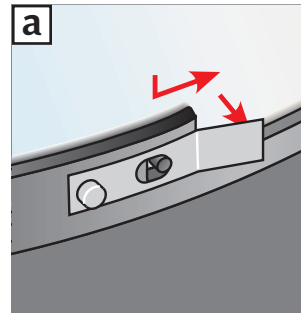
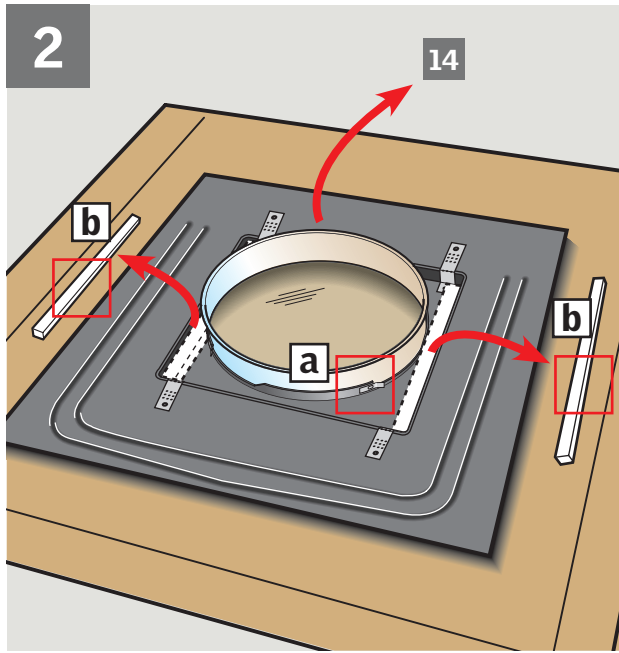
1a

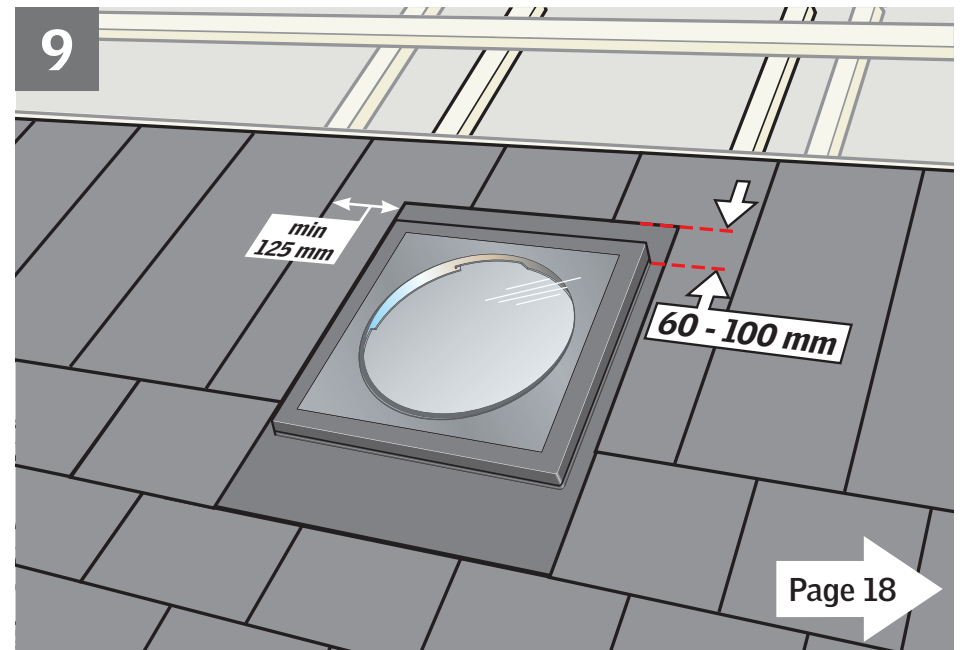
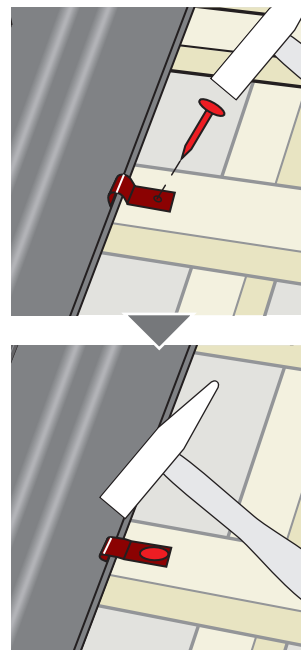
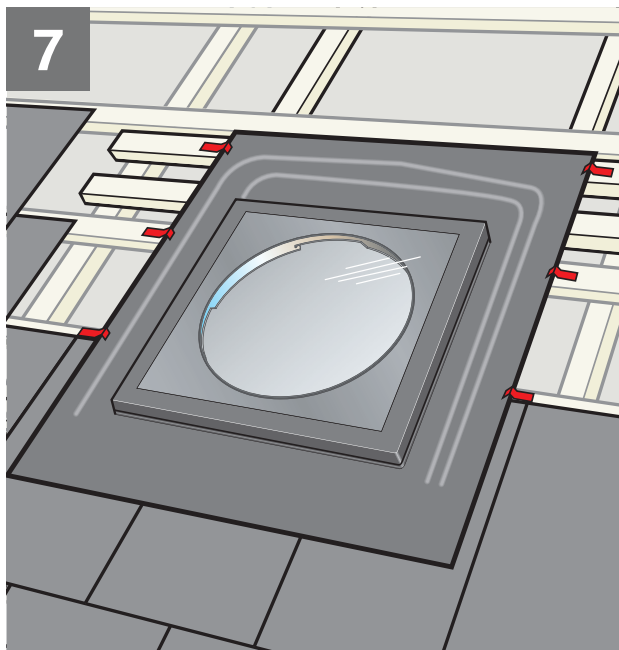
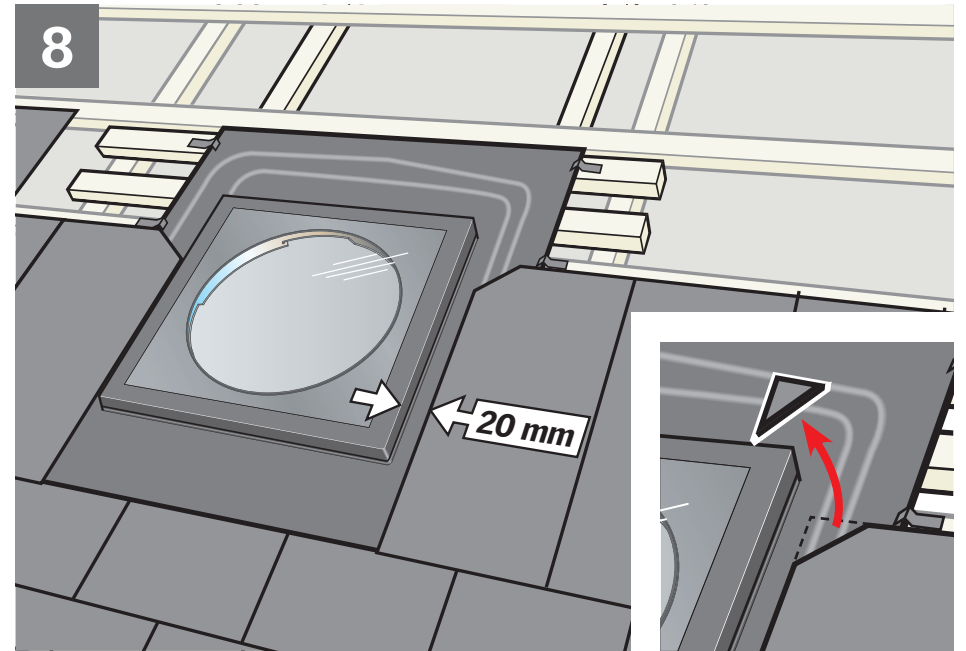
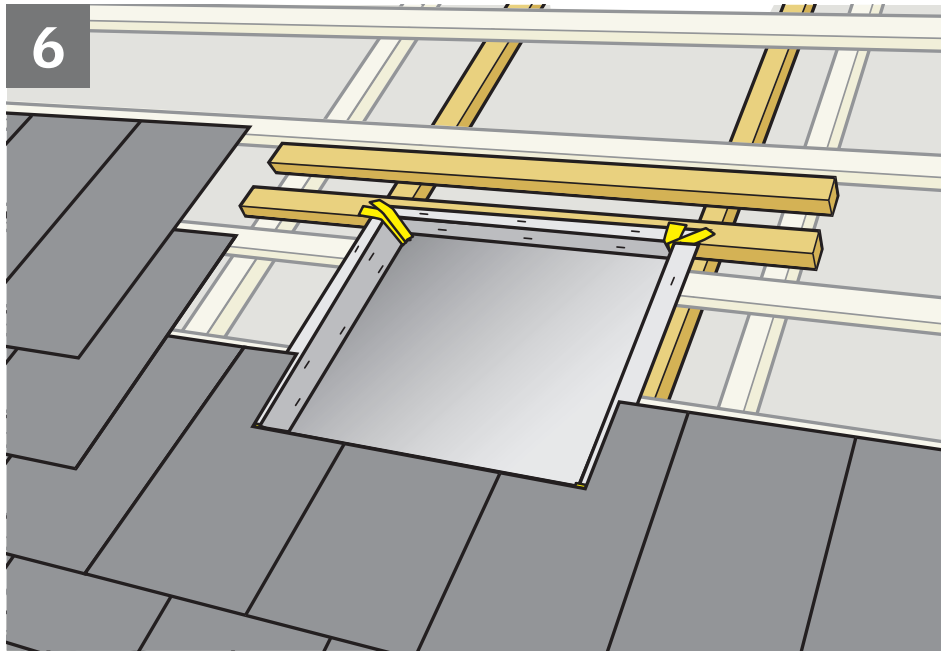
	A mm	B mm	C mm
TLR 010	350	340-380	550
TLR 014	450	440-480	650

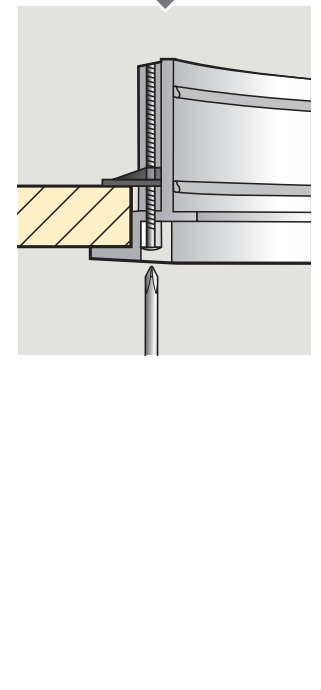
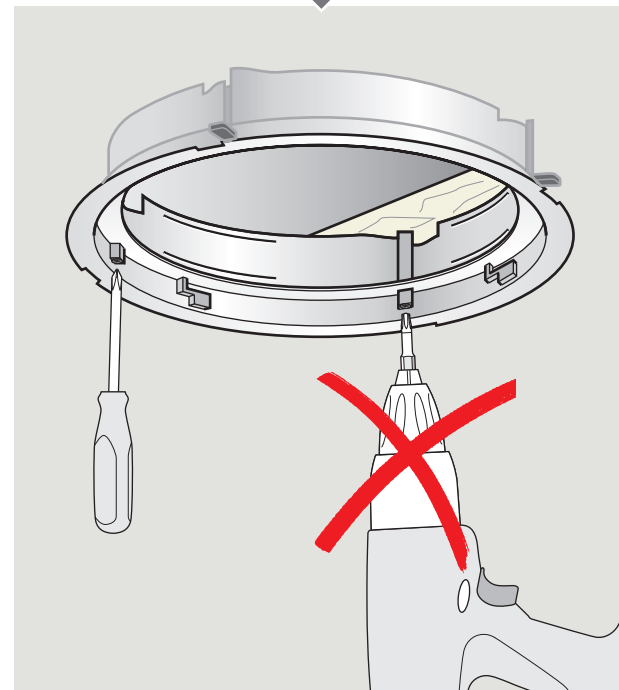
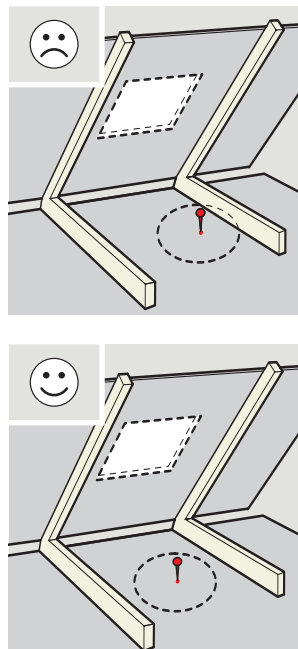
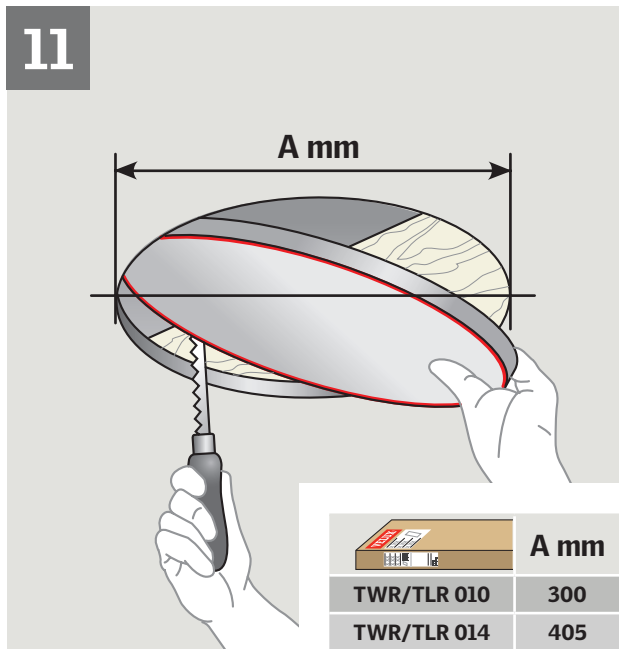
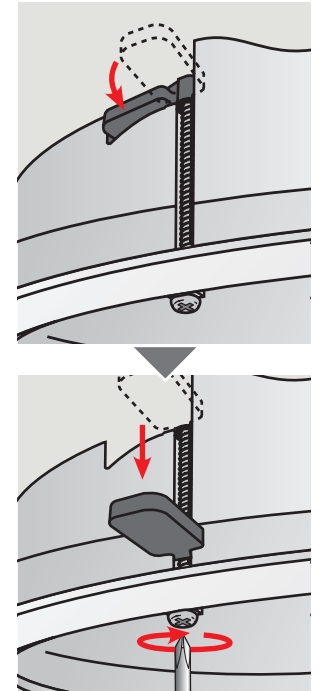
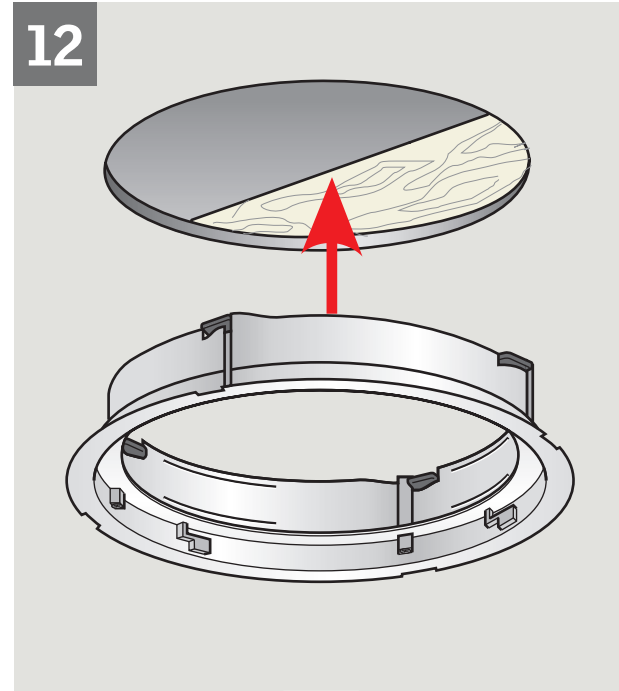
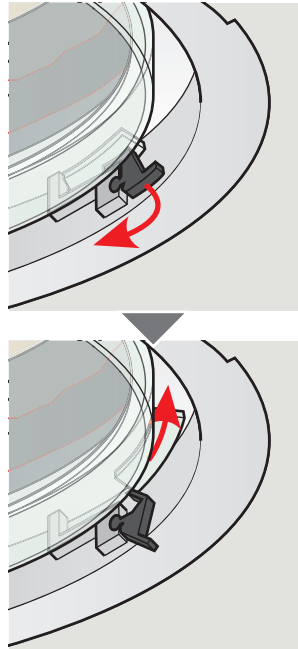
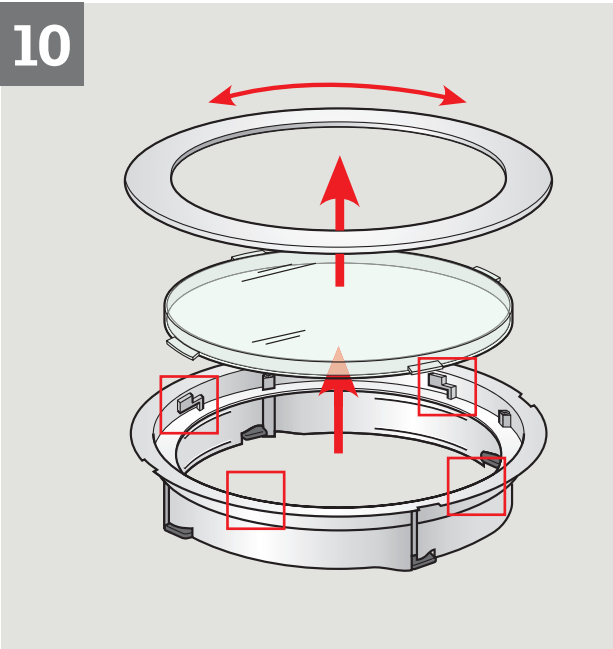
**1b**

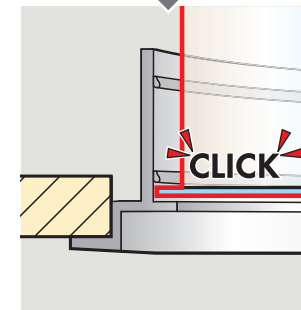
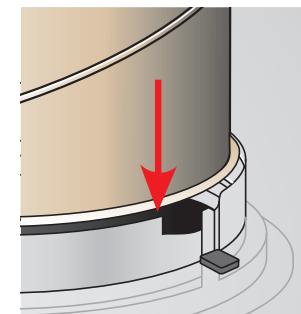
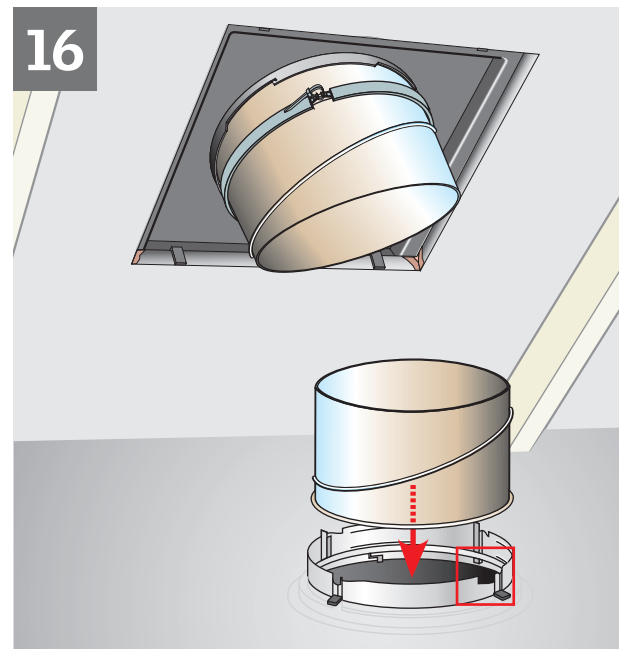
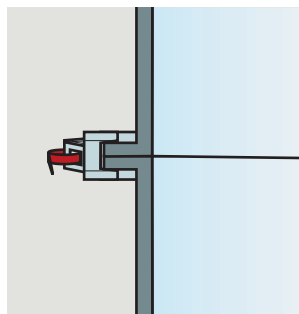
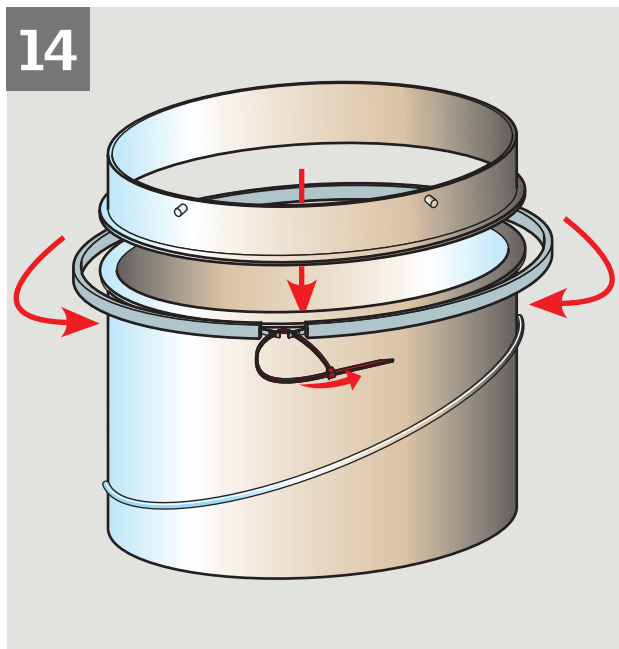
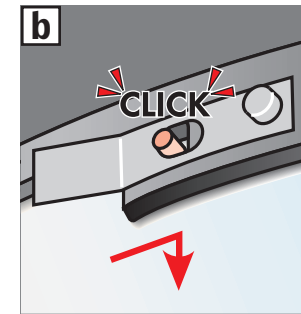
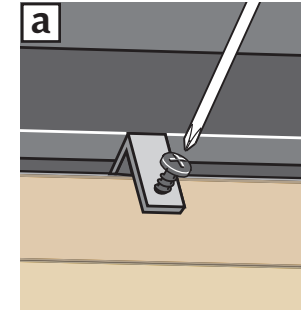
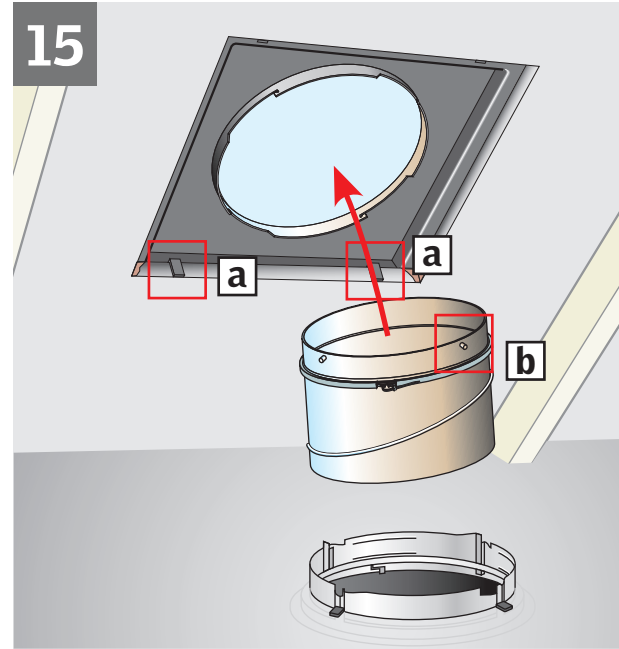
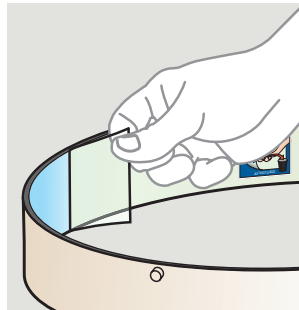
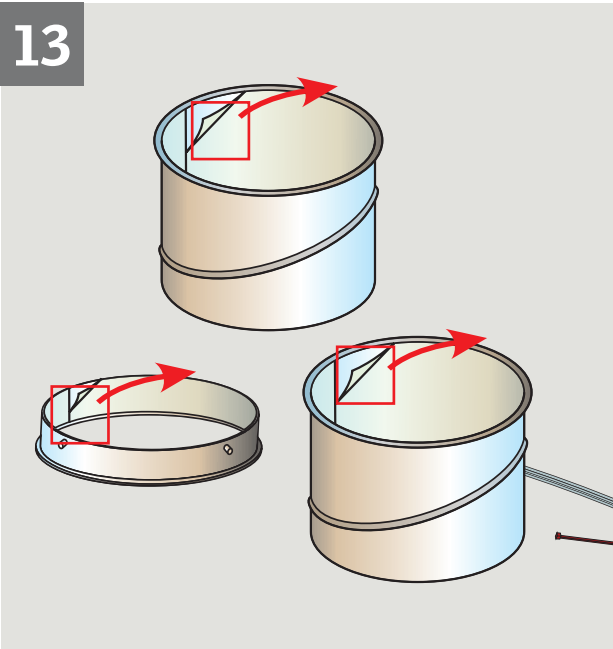
	A mm	B mm
TLR 010	350	340-380
TLR 014	450	440-480

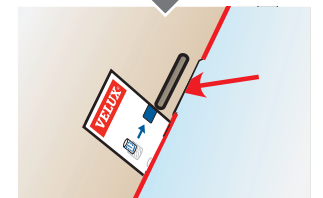
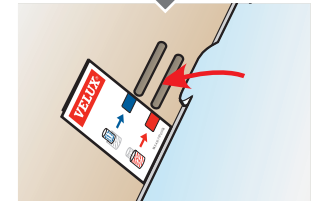
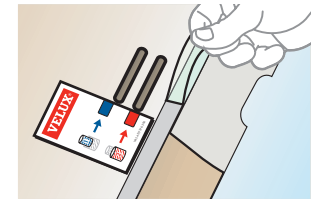
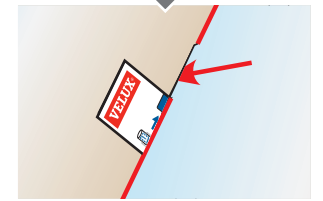
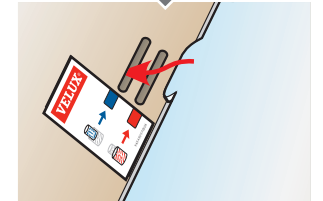
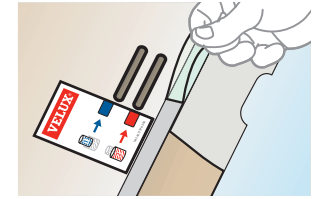
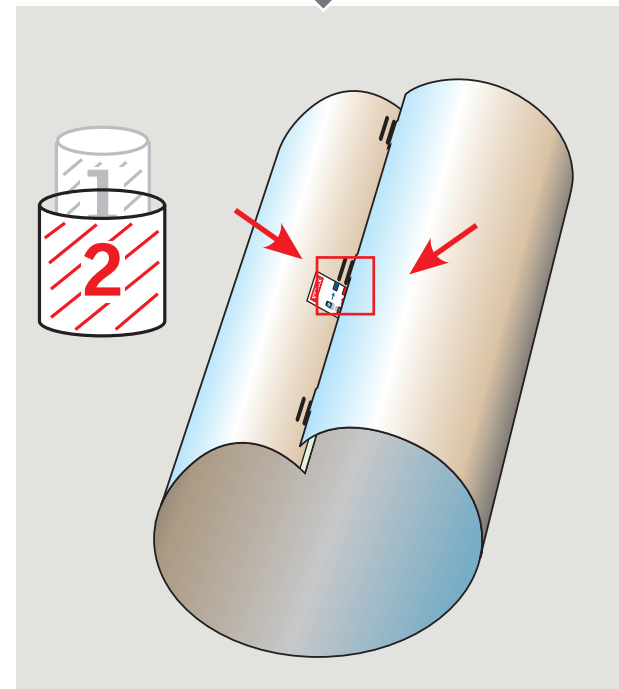
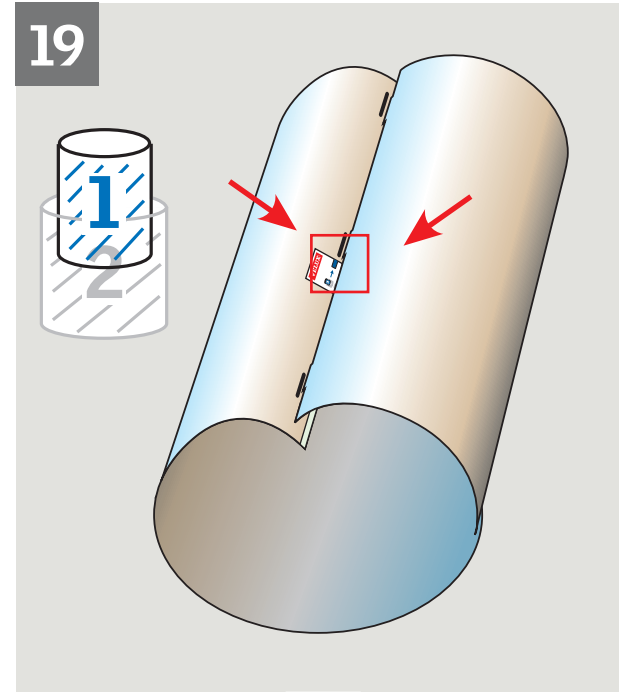
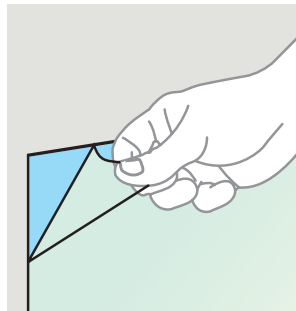
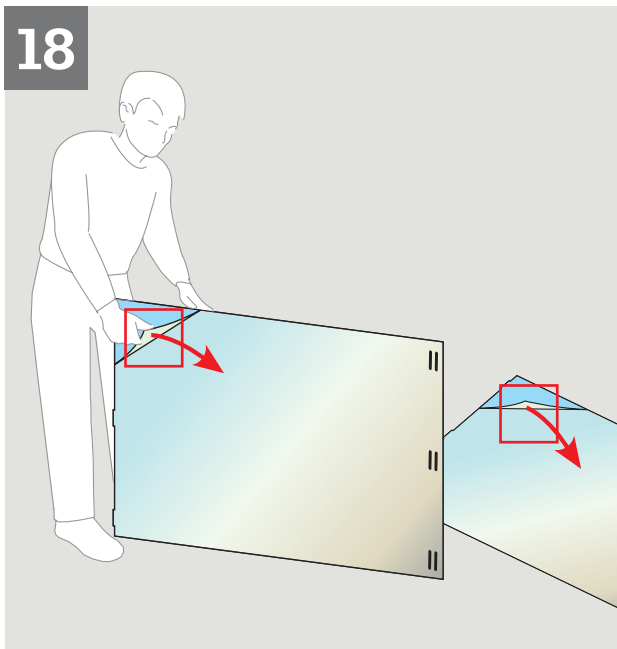
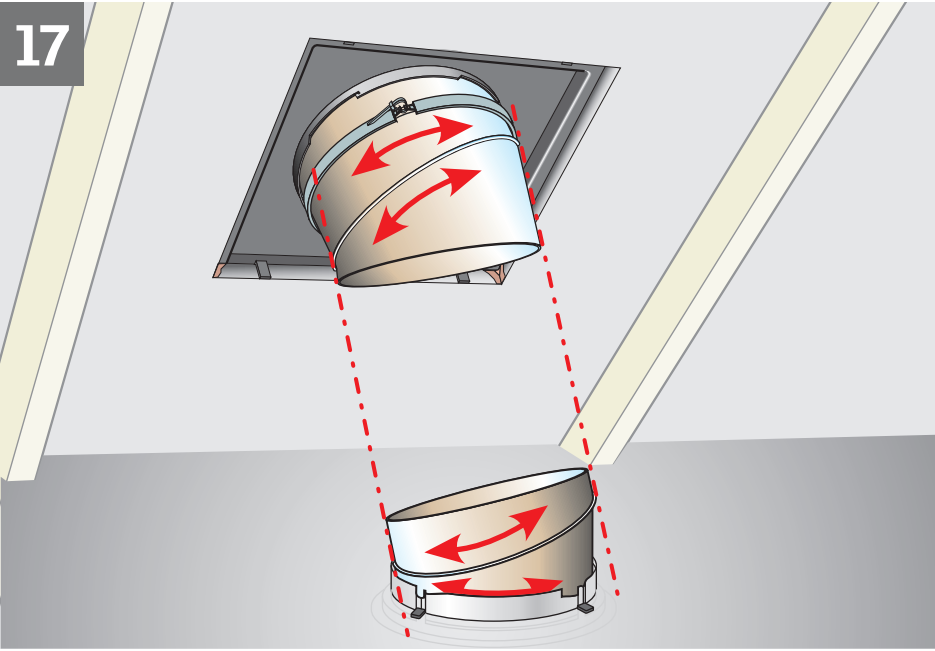


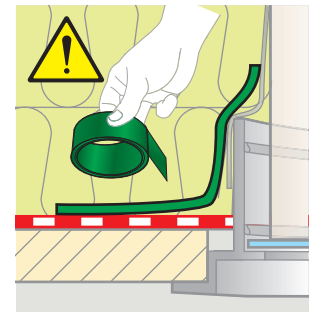
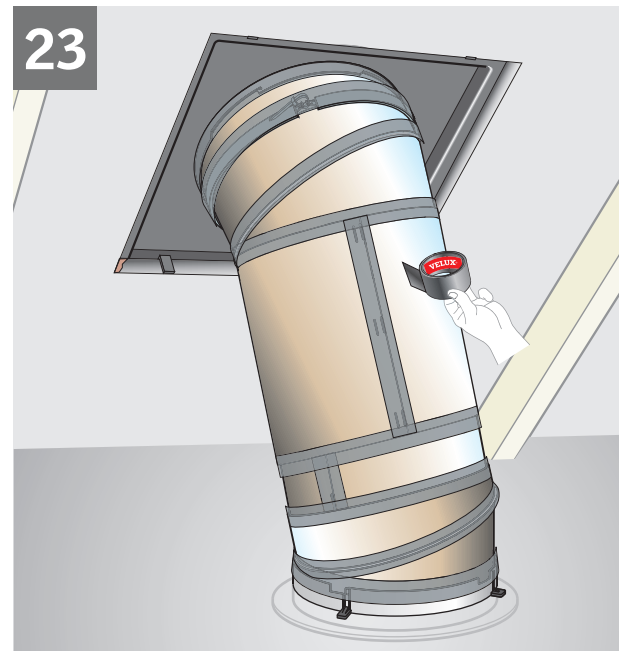
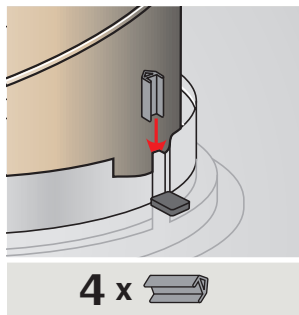
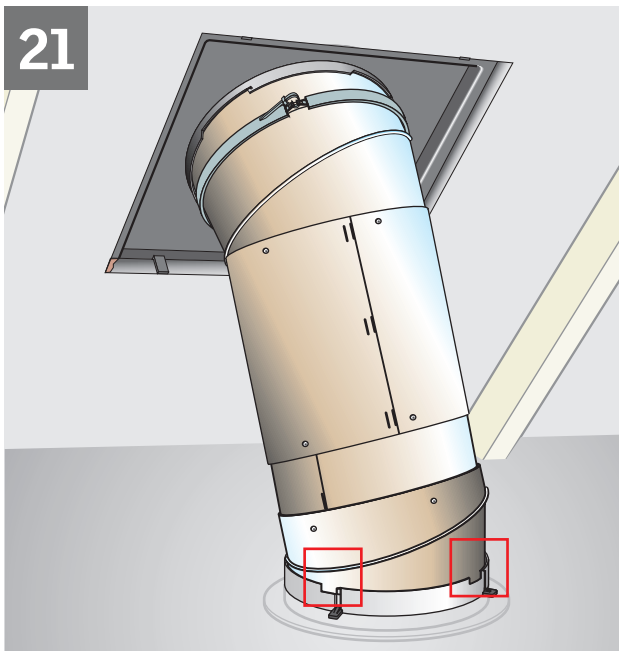
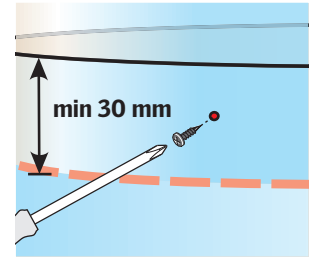
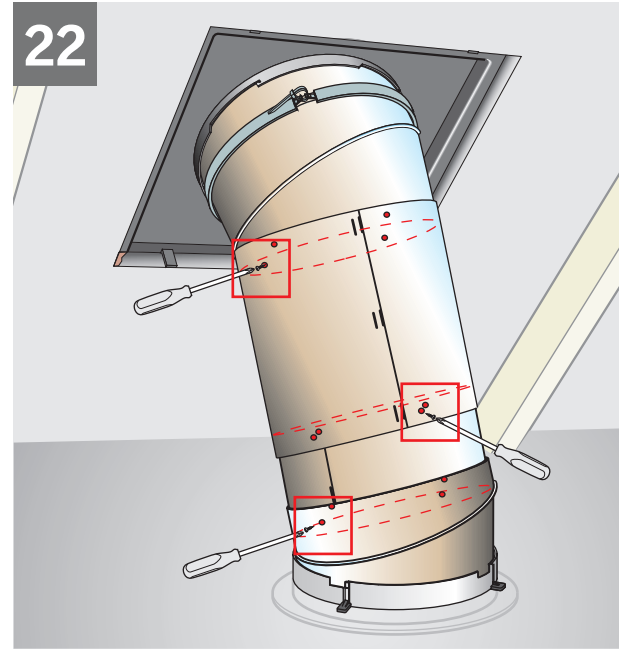
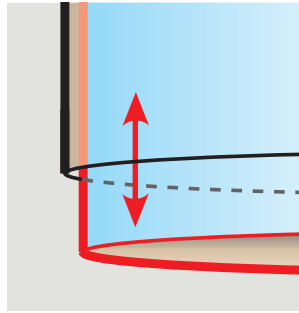
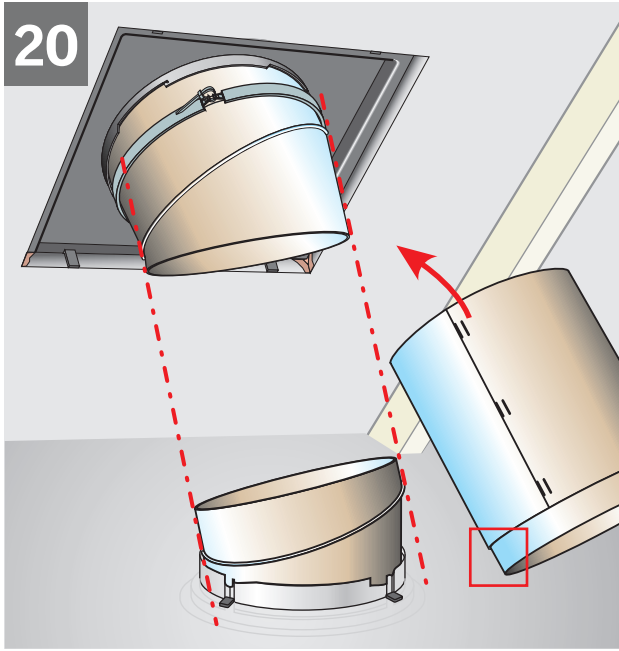




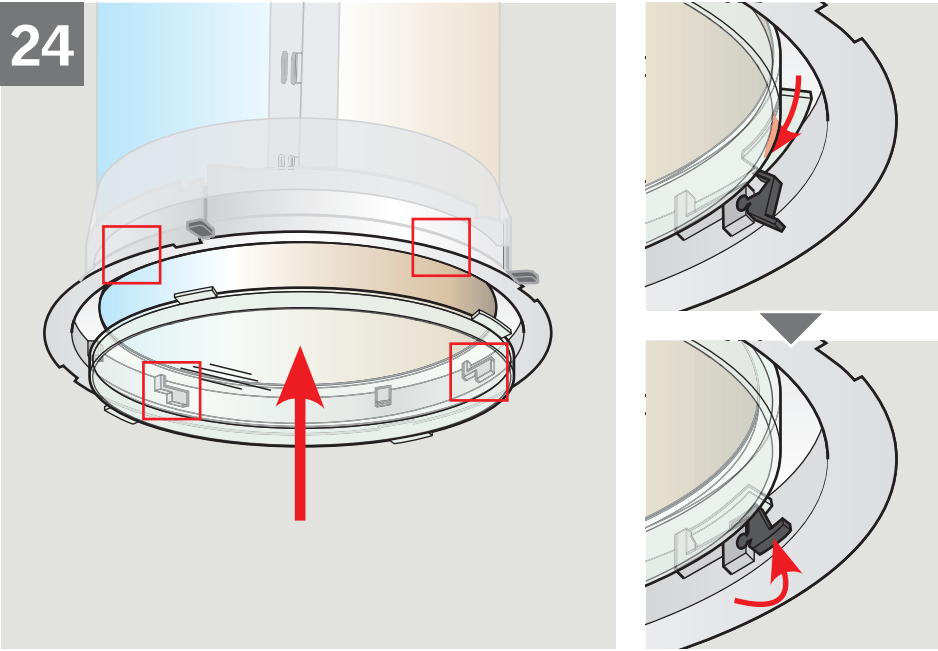




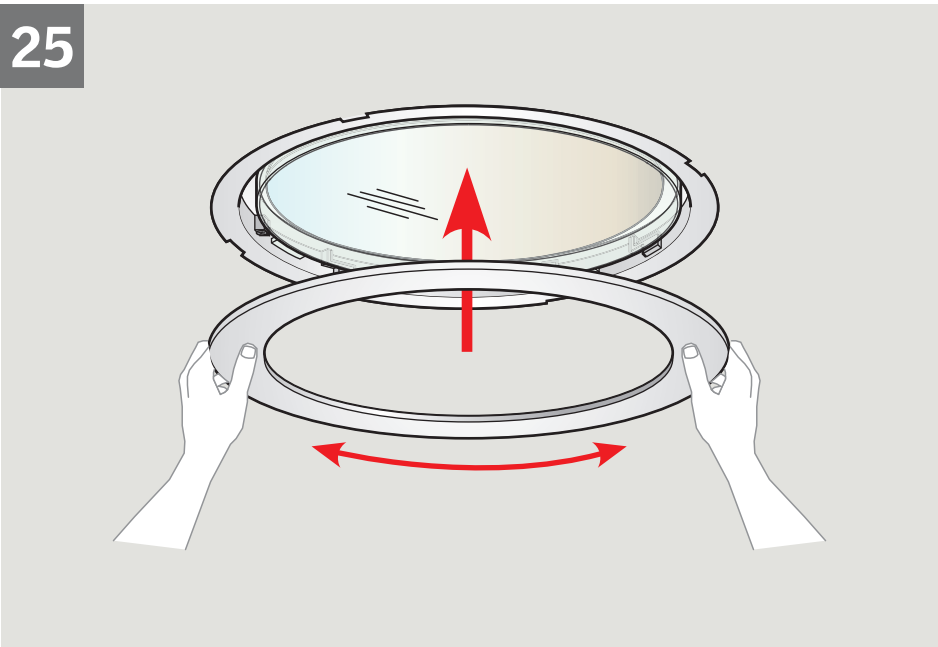




24



25



AR: VELUX Argentina S.A. 0 114 711 5666	IE: VELUX Company Ltd. 1800 409 750
AT: VELUX Österreich GmbH 02245/32 3 50	IT: VELUX Italia s.p.a. 045/6173666
AU: VELUX Australia Pty. Ltd. (02) 9550 3288	JP: VELUX-Japan Ltd. 0570-00-8145
BA: VELUX Bosna i Hercegovina d.o.o. 033/626 493, 626 494	LT: VELUX Lietuva, UAB (85) 270 91 01
BE: VELUX Belgium (010) 42.09.09	LV: VELUX Latvia SIA 67 27 77 33
BG: VELUX Bulgaria EOOD 02/955 95 26	NL: VELUX Nederland B.V. 030 - 6 629 629
BY: VELUX Roof Windows FE. (017) 217 7385	NO: VELUX Norge AS 22 51 06 00
CA: VELUX Canada Inc. 1 800 88-VELUX (888-3589)	NZ: VELUX New Zealand Ltd. 09-6344 126
CH: VELUX Schweiz AG 0848 945 549	PL: VELUX Polska Sp. z o.o. (022) 33 77 000 / 33 77 070
CL: VELUX Chile Limitada 2-231 18 24	PT: VELUX Portugal, Lda 21 880 00 60
CN: VELUX (CHINA) CO. LTD. 0316-607 27 27	RO: VELUX România S.R.L. 0-8008-83589
CZ: VELUX Česká republika, s.r.o. 531 015 511	RS: VELUX Srbija d.o.o. 011 3670 468
DE: VELUX Deutschland GmbH 0180-333 33 99	RU: ZAO VELUX (495) 737 75 20
DK: VELUX Danmark A/S 45 16 45 16	SE: VELUX Svenska AB 042/20 83 80
EE: VELUX Eesti OÜ 621 7790	SI: VELUX Slovenija d.o.o. 01 724 68 68
ES: VELUX Spain, S.A. 91 509 71 00	SK: VELUX Slovensko, s.r.o. (02) 33 000 555
FI: VELUX Suomi Oy 0207 290 800	TR: VELUX Çatı Pencereleri Ticaret Limited Şirketi 0 216 302 54 10
FR: VELUX France 0821 02 15 15 0,119€ TTC/min	UA: VELUX Ukraina TOV (044) 2916070
GB: VELUX Company Ltd. 0870 380 9593	US: VELUX America Inc. 1-800-88-VELUX
HR: VELUX Hrvatska d.o.o.. 01/5555 444	
HU: VELUX Magyarország Kft. (06/1) 436-0601	