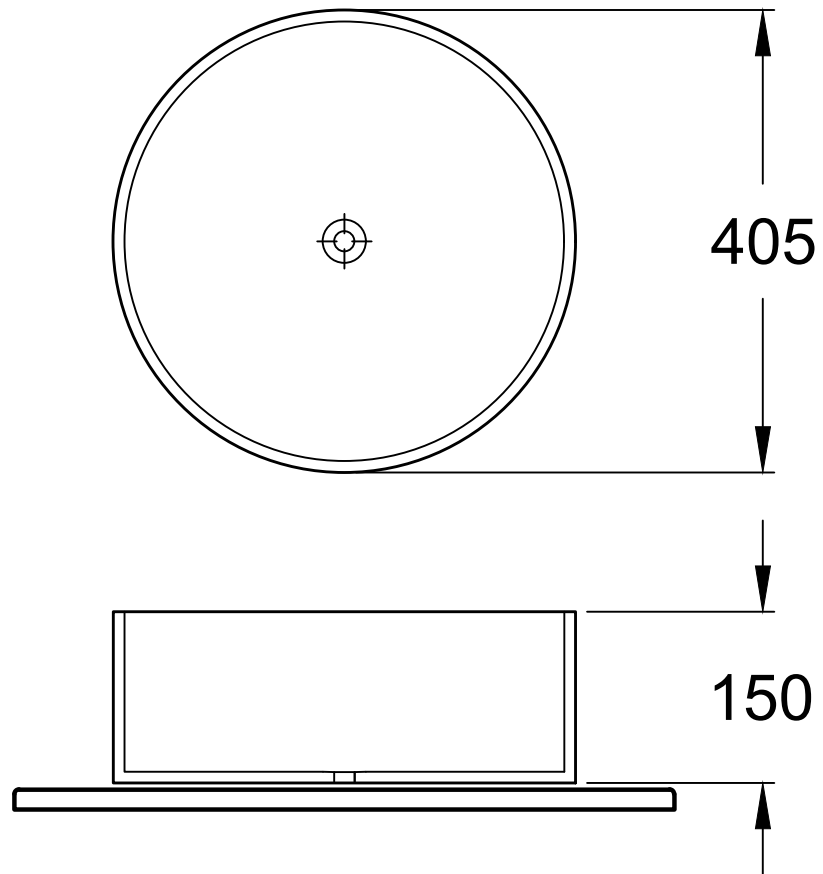


# Round Basin



DRAWING NOT FOR  
CONSTRUCTION