

Gro-Wall[®]
VERTICAL GARDEN SYSTEM
ATLANTIS GRO-WALL[®] SLIM PRO
Part Number : 80080



6 PLANTER TRAY KIT

Assembly, Installation & Watering Guide

KIT COMPONENTS

1 X PACKET OF SCREWS, WASHERS & WALL PLUGS



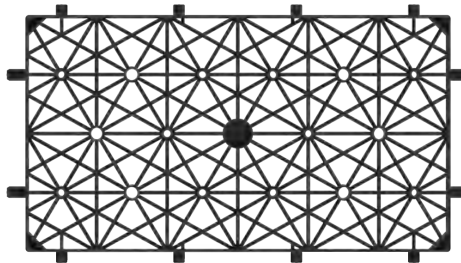
12 X SIDE PANELS



8 X BASE PANELS



6 X REAR PANELS



6 X PLANTER TRAYS



6 X GEOTEXTILE PADS



KIT ACCESSORIES



12 X PLANTER TRAY
ALIGNMENT PIN



12 X DRAINAGE CAP



32 X INTERNAL
IRRIGATION CLIP



8 X CHANNEL CONNECTOR



24 X SIDE CONNECTOR



32 X FRONT
IRRIGATION CLIP
(OPTIONAL)

INSTALLATION OF PLANTER TRAY ALIGNMENT PINS

Remove tray pins from each side panel. Install 2 tray pins into the center line locations on the rear panel.

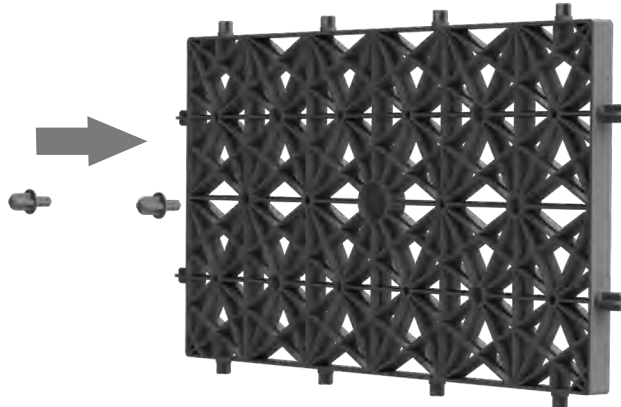
STEP 1

Remove tray pins from side panels.



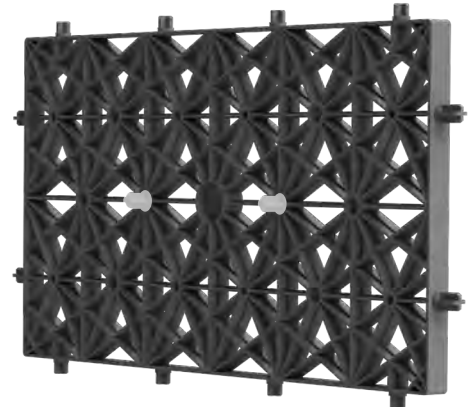
STEP 2

Install 2 tray pins into the center line locations on the rear panel as shown.



STEP 3

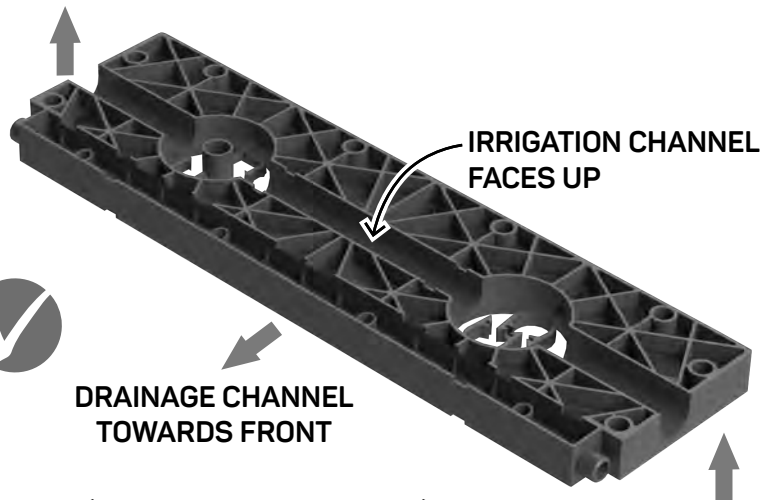
Tray pins installed correctly.



BASE PLATE ORIENTATION

Ensure that modules are assembled with the irrigation channel facing UP!

NOTE: Base panels must be installed correctly for the system to function correctly. The base panel is orientated correctly when the irrigation channel is visible on the top.

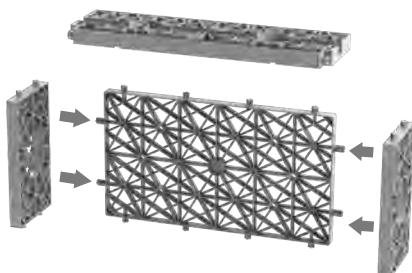


PARTIAL MODULE ASSEMBLY (FOR STACKING)

The partial module is used to vertically stack the Gro-Wall® SLIM PRO modules on top of each other.

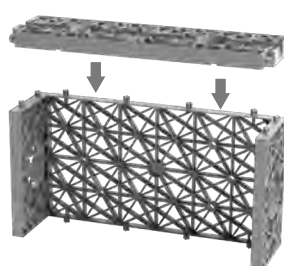
STEP 1

Attach the side panels to the rear panel.



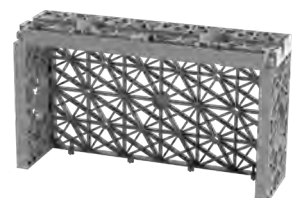
STEP 2

Attach the base panel to the top of the assembly.



STEP 3

Complete sub assembly.

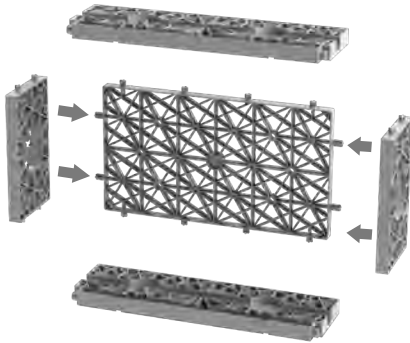


SINGLE MODULE ASSEMBLY (BASE MODULE)

The single module is used to form the base of the vertical garden installation.

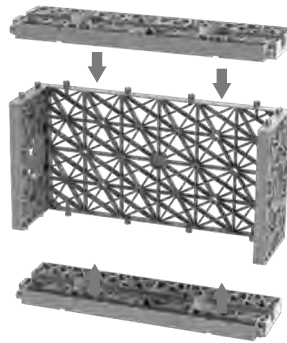
STEP 1

Attach the side panels to the rear panel.



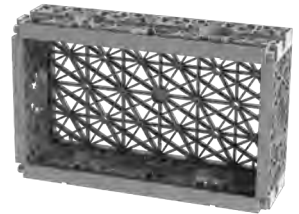
STEP 2

Attach the base panel to the top and bottom of the assembly.



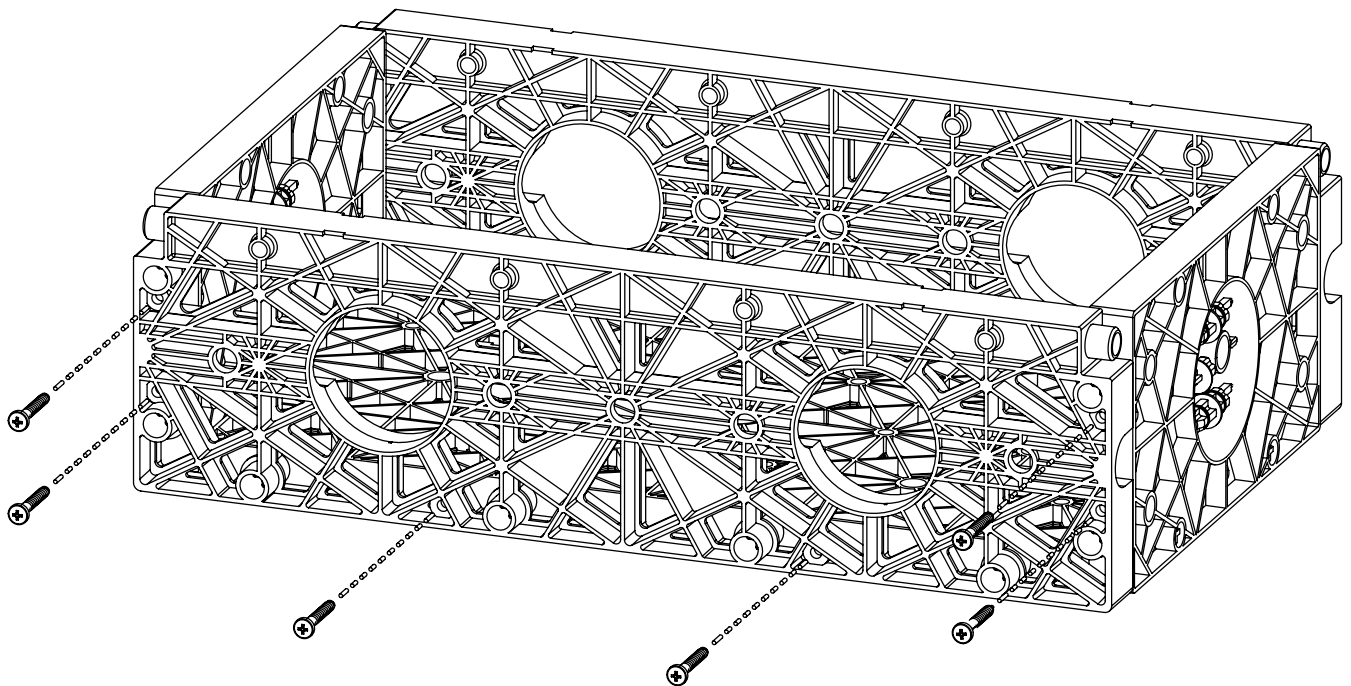
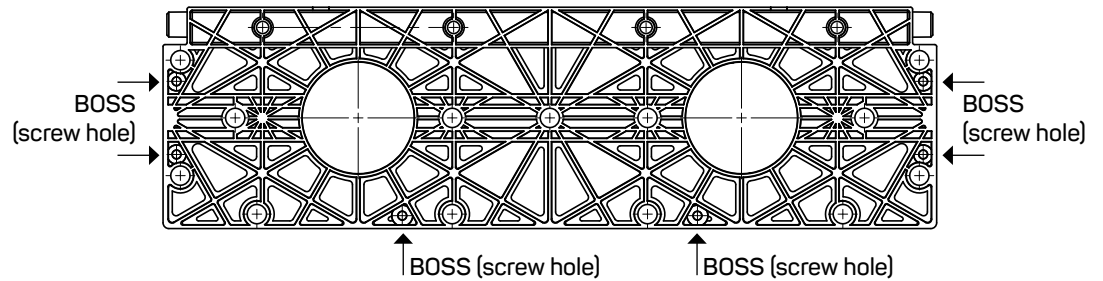
STEP 3

Module is assembled ready for screws.



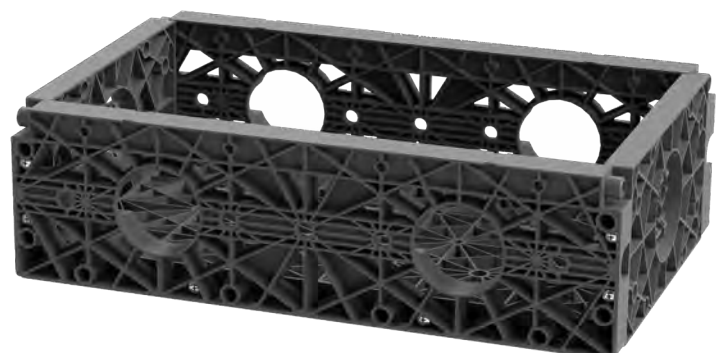
STEP 4

Attach and screw the 6 included screws to the bottom of the base plate at the dedicated boss locations.



STEP 5

Completed base module assembly with base panel securely fixed in place.

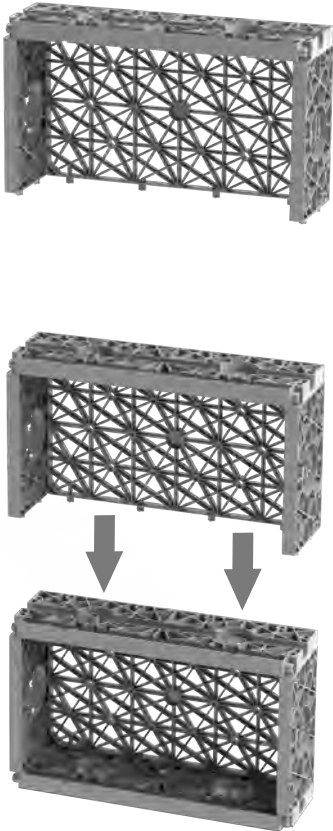


VERTICAL STACKING OF ASSEMBLIES

Atlantis Gro-Wall® SLIM PRO are stacked on top of each other for vertical assembly.

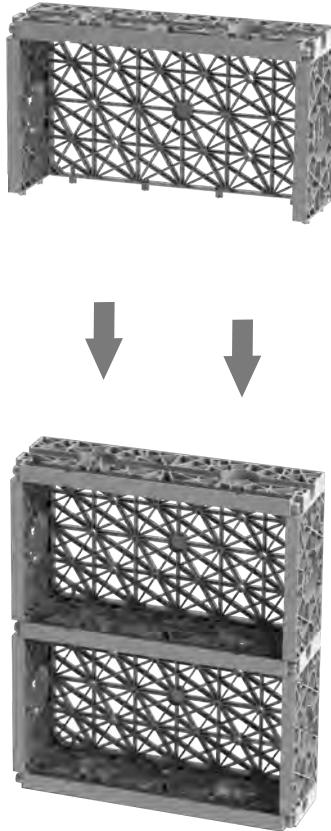
STEP 1

Insert semi assembled module into base module.



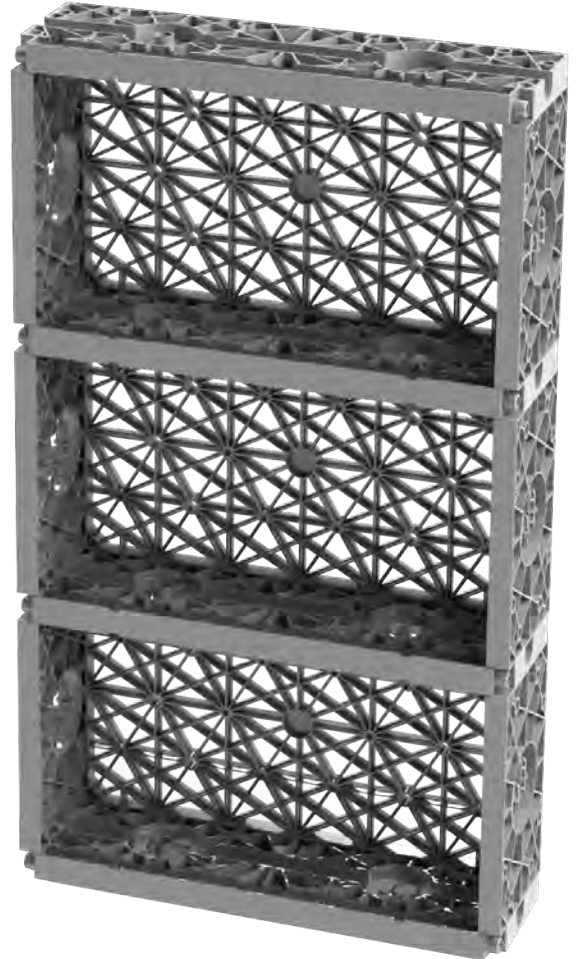
STEP 2

Repeat process until desired row height is achieved.



STEP 3

Stacking is complete.

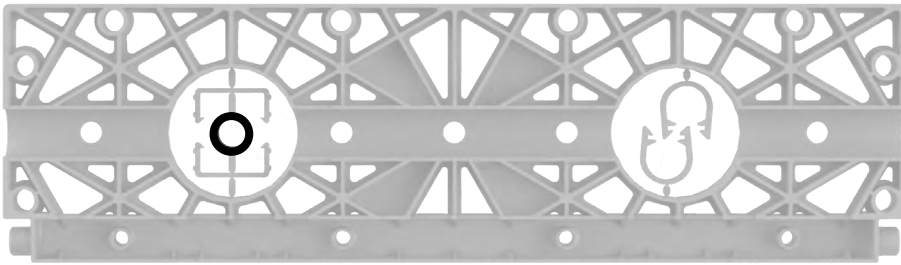


OPTION 1: CHANNEL DRAINAGE SETUP

This setup will drain water away from each planter tray to a desired drainage outlet.

STEP 1

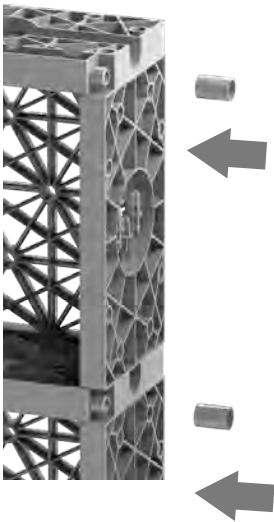
Remove PIPE CONNECTOR and clips from base panels.



NOTE: PIPE CONNECTOR's are only used between connecting units.

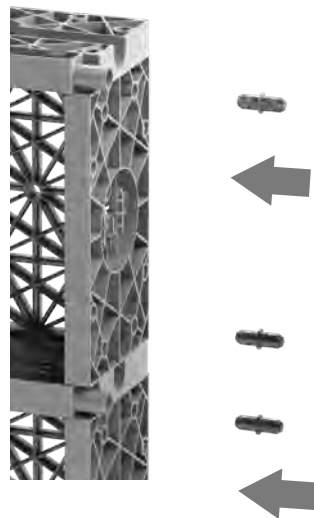
STEP 2

Attach PIPE CONNECTOR's to the right side of units that will be connected together.



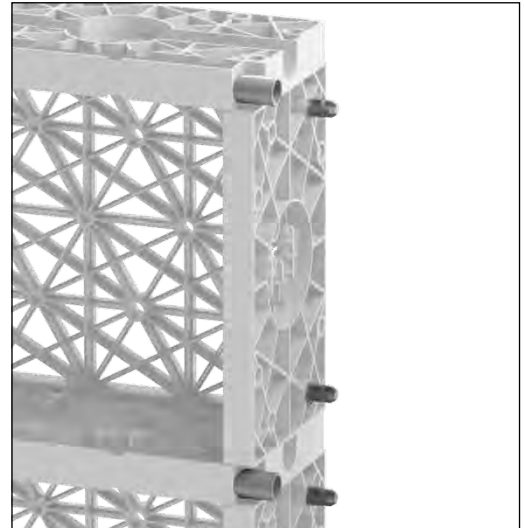
STEP 3

Attach SIDE CONNECTOR PINS.



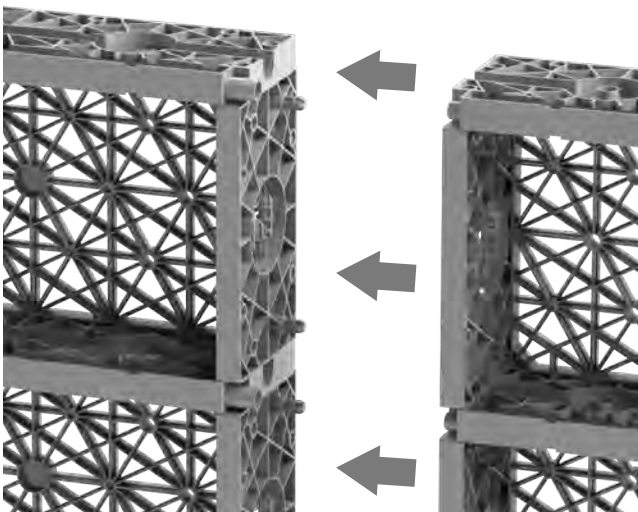
STEP 4

Module stack ready for connection to adjacent module stack.



STEP 5

Join module stacks together.



STEP 6

Connect drainage pipes to the sides of the installation.

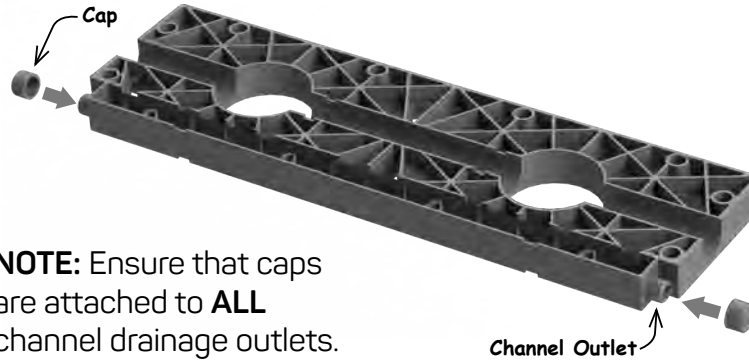
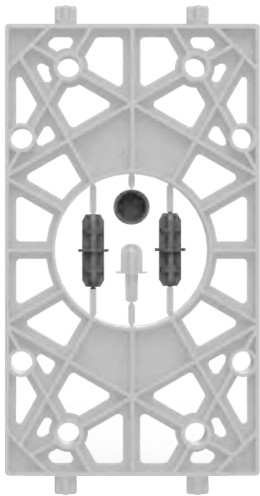


OPTION 2: STANDARD DRAINAGE SETUP

This drainage setup will drain water from each planter tray below.

STEP 1

Remove CAP and CONNECTOR PINS from side panels.

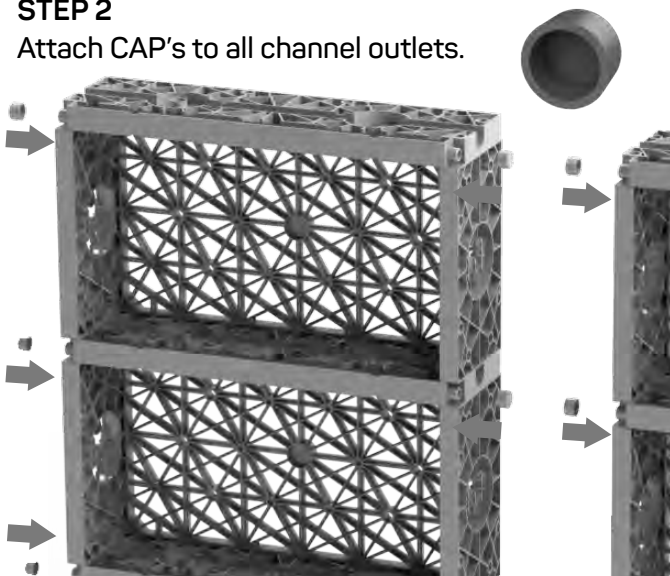


NOTE: Ensure that caps are attached to **ALL** channel drainage outlets.



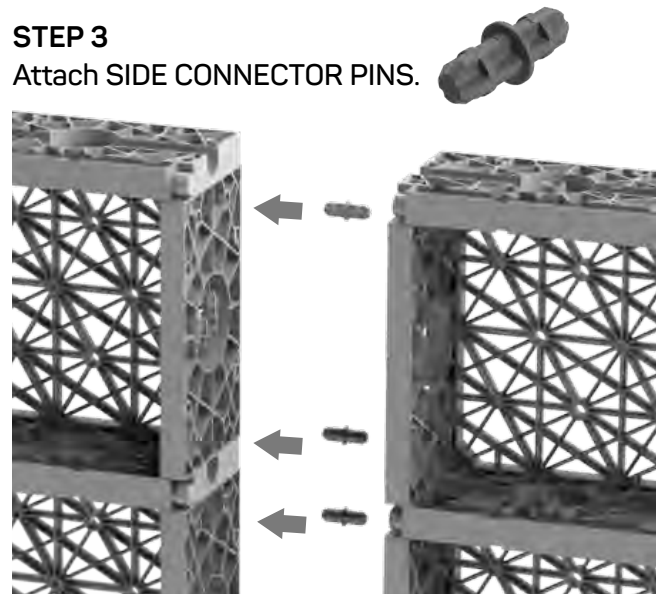
STEP 2

Attach CAP's to all channel outlets.



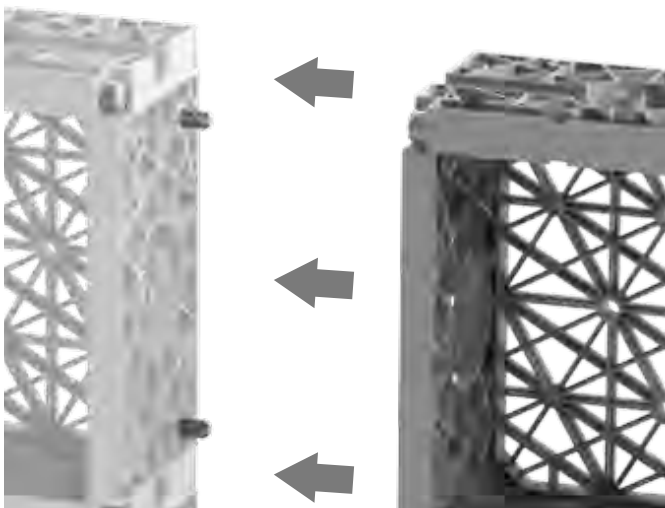
STEP 3

Attach SIDE CONNECTOR PINS.



STEP 4

Join module stacks together.



STEP 5

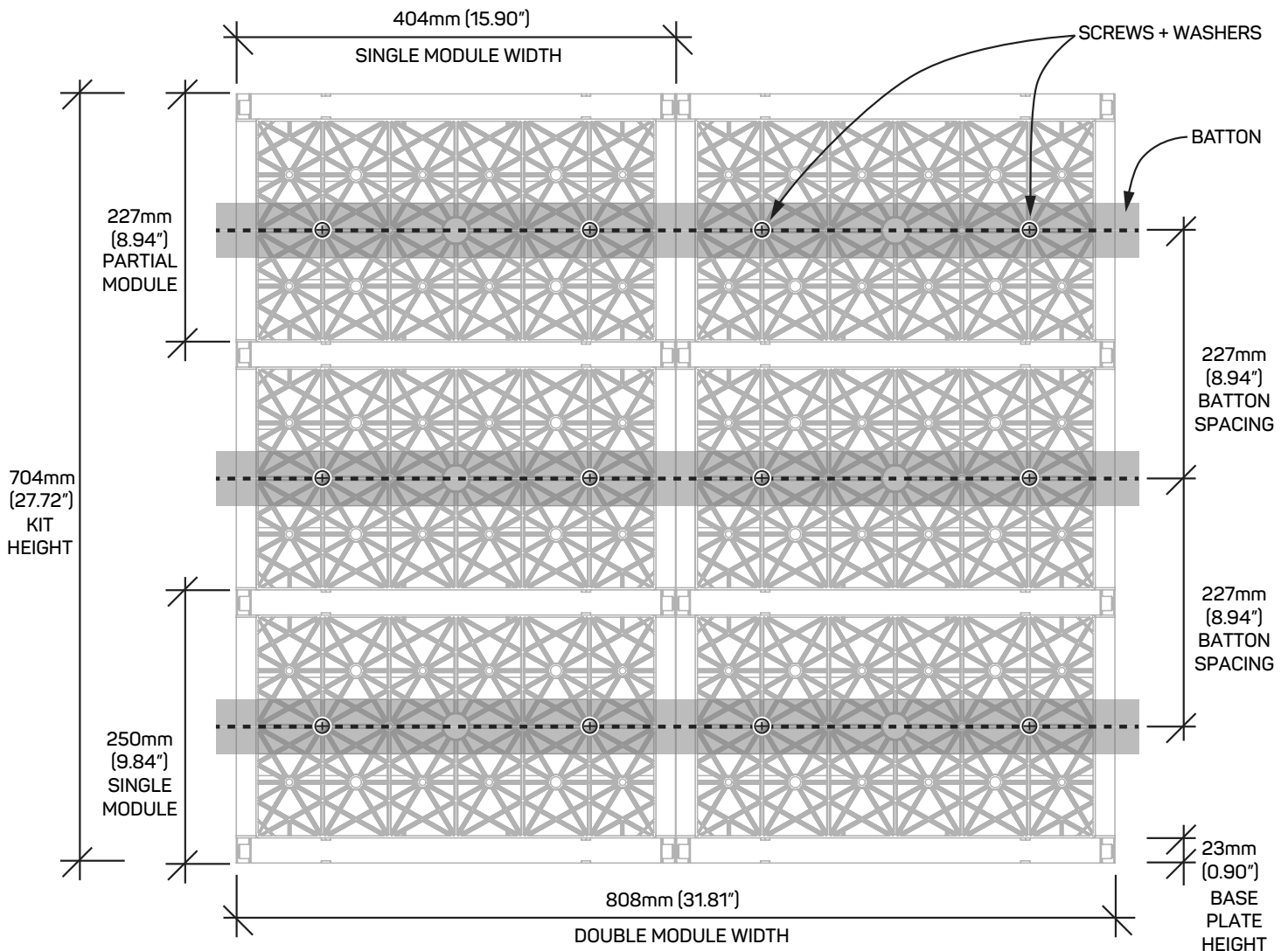
Completed assembly. Water will now drain from channel into the planter tray below.



MODULE SIZE & WALL FIXING POSITION

Atlantis GRO-WALL® SLIM PRO dimensions for installation set out.

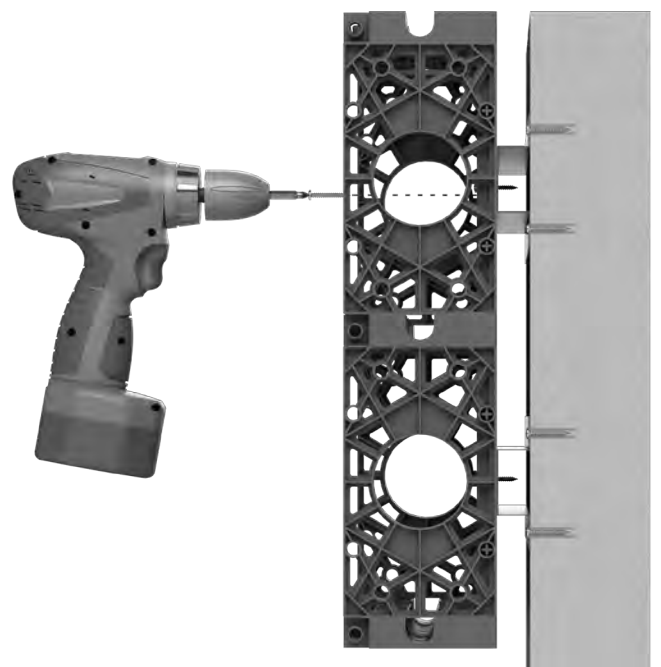
FIXING: Install 2 screws per module.



NOTE: Allow for tolerance when constructing large installations. Use a spirit level to install the Atlantis Gro-Wall® SLIM PRO Structure. A level installation is essential for the channel drainage to work effectively.



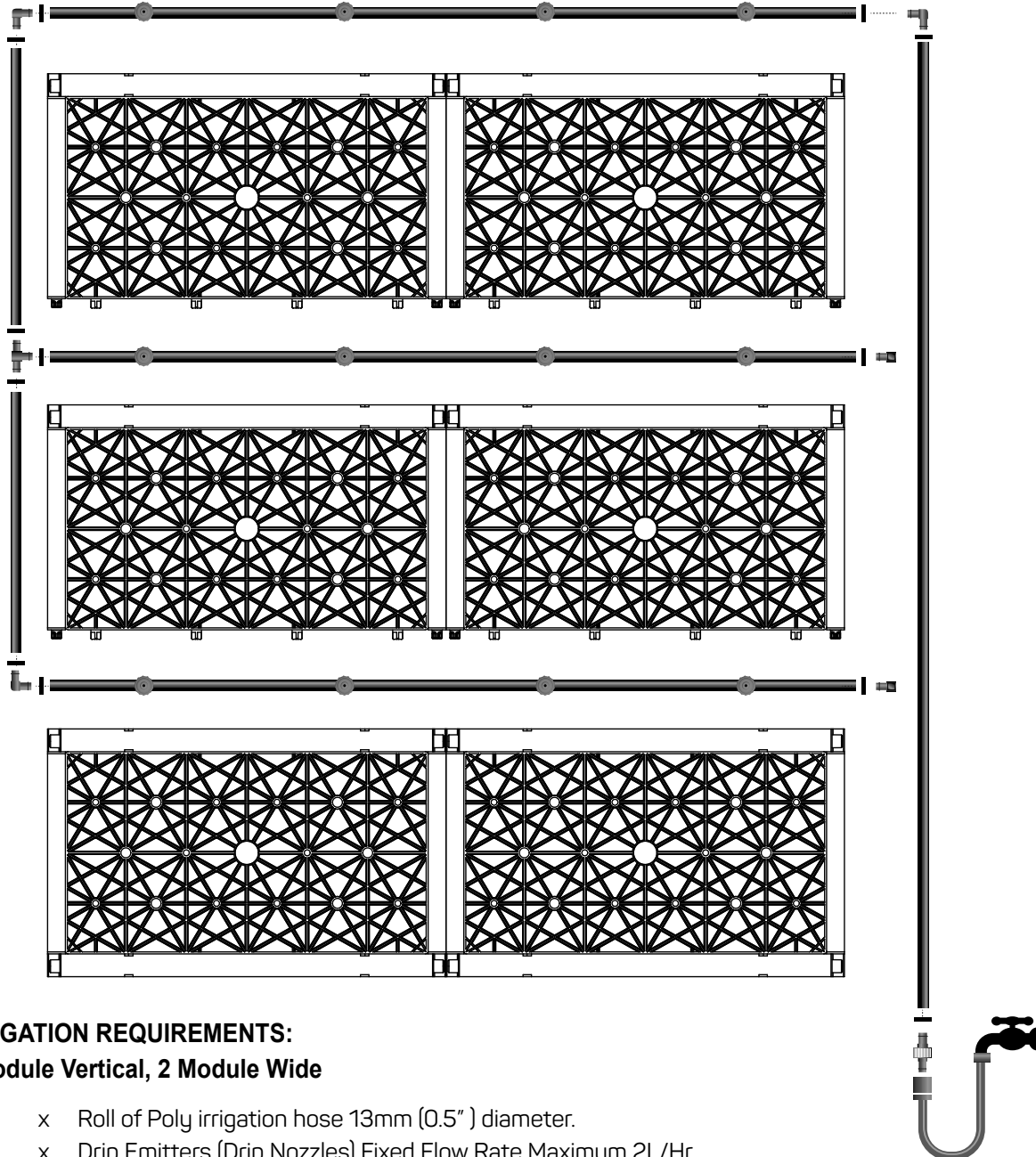
**INSTALLATION
MUST BE LEVEL!**



TRADITIONAL IRRIGATION SYSTEM OVERVIEW

Atlantis Gro-Wall® features a built in provision called IPI™ Individual Plant Irrigation. The IPI™ system allows third party irrigation and drip emitters to be installed for each plant within the Atlantis Gro-Wall® structure. This system enables the caretaker to tailor the watering requirements to suit various environmental conditions, seasonal changes and plant species. Third party irrigation systems are not included in this kit.

TYPICAL IRRIGATION SETUP



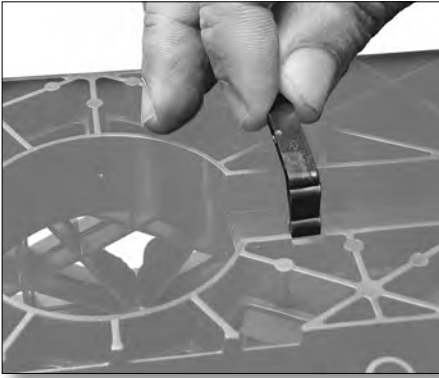
IRRIGATION REQUIREMENTS:

6 Module Vertical, 2 Module Wide

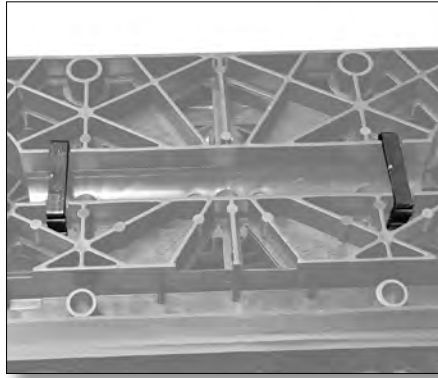
- 1 x Roll of Poly irrigation hose 13mm (0.5") diameter.
- 12 x Drip Emitters (Drip Nozzles) Fixed Flow Rate Maximum 2L/Hr
- 2 x Poly end cap connectors
- 1 x Poly T (3 way) connectors
- 3 x Poly 90° angle connectors
- 1 x Poly water tap connector
- 12 x Hose Clamps (poly or stainless steel)

Note: Depending on individual designs, the amount of irrigation requirements can change (end cap connectors, 3 way connectors & elbows)

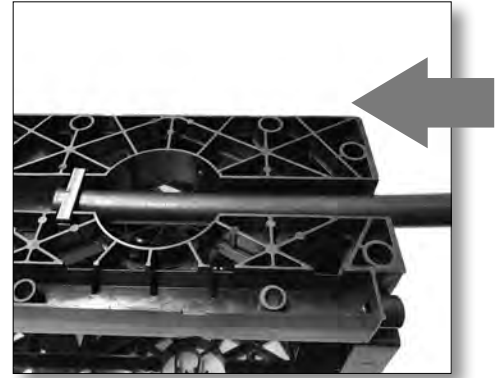
IRRIGATION INSTALLATION



1. Click into place the INTERNAL IRRIGATION CLIPS to retain the irrigation pipe.



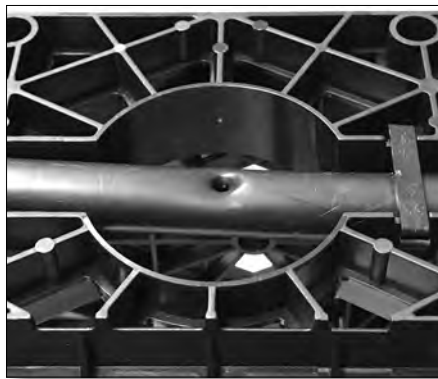
2. Continue to place the INTERNAL IRRIGATION CLIPS through out the installation.



3. Insert poly irrigation pipe along the length of each row of the installation.



4. Puncture the poly pipe with a 4mm punch tool.



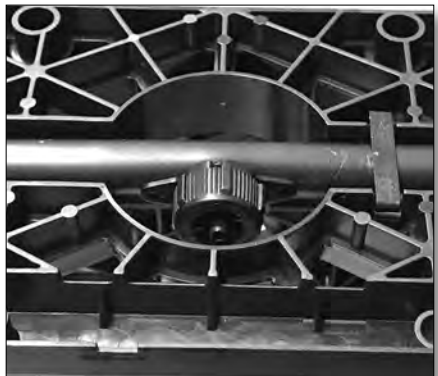
5. The poly pipe is now ready for the installation of Drip Emitter.



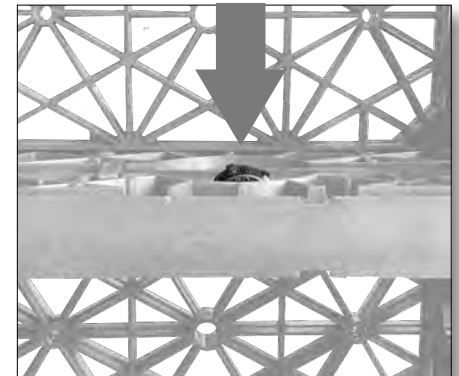
6. Install the Drip Emitter.



7. Install Drip Emitter through out the installation.



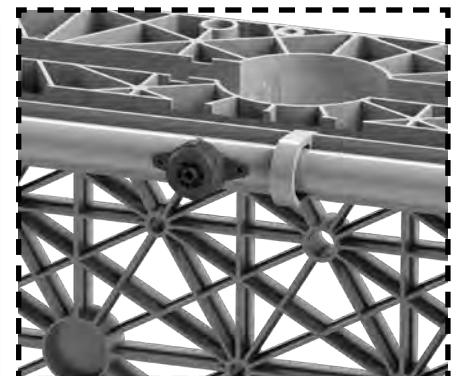
8. When all Drip Emitter are installed, rotate the poly pipe 90 degrees.



9. Correctly installed Drip Emitter sits flush with the base plate.



10. Complete installation of the remaining irrigation connections.



NOTE: OPTIONAL FRONT IRRIGATION CAN BE INSTALLED USING SUPPLIED FRONT IRRIGATION CLIPS.

PLANTING



1. Place geotextile pad into the base of the planter tray.



2. Add soil mix to planter tray approximately 6 Litres (13.2277 lb).



3. Fill the planter tray with quality soil mix. (Terra-cotta Potting Mix Recommended)



4. Carefully place plants angled towards the opening of the planter tray.



5. Completed planting. Planter trays are now ready to be inserted into the Atlantis Gro-Wall® SLIM PRO structure.



Atlantis® Gro-Wall Slim Pro Kit

Part Number	80080
Material	85% Recycled PP, 15% Propriety Materials
Planter Tray Capacity	6 Litres (13.2277 lb)
Kit Width	808mm (31.81")
Kit Height	704mm (27.72")
Kit Depth	165mm (6.49")
Kit Area	0.56m ² (6.02779 ft ²)
Kit Weight	9.5 kg (20.9439 lb)
Weight m ² ft ²	16.96 kg/m ² (3.5 lb/ ft ²)
Installed Kit Weight Kit + Plants + Soil + Irriga- tion	45.5kg / Kit (91 kg/m ²) 100.31 lb / Kit (16.64 lb/ft ²)

