

.....
.....
GREEN
VERTICAL
GARDENS
.....
.....

Product
Capabilities

www.greenonwalls.com.au

Vertical Gardens

A Vertical Garden is a wall, freestanding or part of a structure, that is partially or completely covered in vegetation.

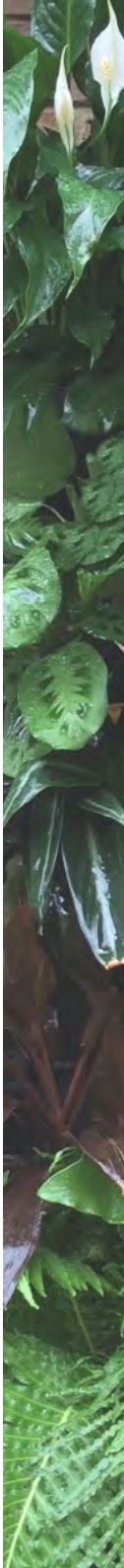
Green Vertical Gardens are industry leaders in versatile, cost efficient and easy to install Vertical Garden solutions.

Vertical Gardens have great benefits, including:

- Urban Beautification -
- Temperature Regulation -
- Sound Insulation -
- Air Quality -
- Wildlife Habitat -
- Property Value -

Our versatile range of slimline Vertical Garden products make it possible to transform even the smallest urban spaces with a stunning feature wall, visual or sound barrier, or into a productive herb or vegetable garden.

**PLUS all of our Vertical Garden products are
Designed and Manufactured in Australia!**

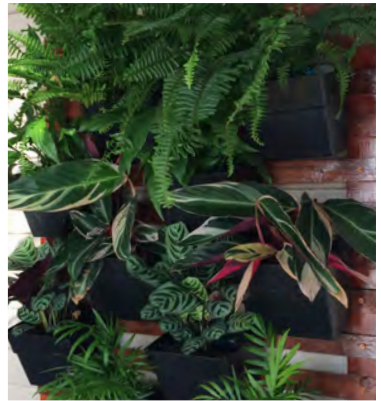
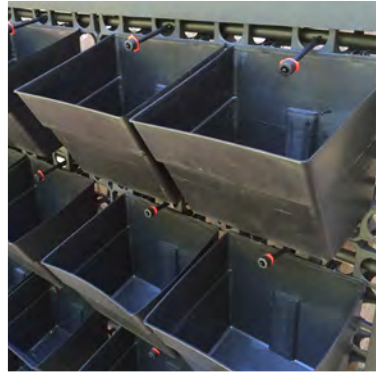


Vertical Garden Pots

Our Vertical Garden Pots are designed and manufactured in Melbourne. Made from UV stabilized Polypropylene, they're engineered to resist the harsh Australian climate.

The pots easily accommodate established plants, making the effect of your Vertical Garden instant. Alternatively, plant smaller and watch them grow!

The pots versatile hanging system makes it easy to remove or maneuver plants around, to change the aesthetic of the Vertical Garden or substitute new plants. It also allows users to hang them on a wide range of surfaces, including timber, lattice, wire mesh, or any of our complex, irrigated Vertical Garden systems.



How it Works

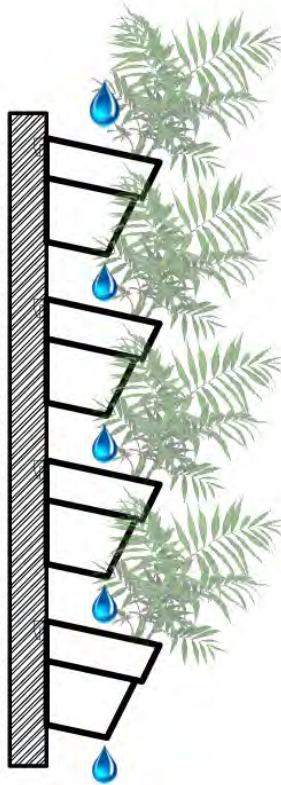
Vertical Garden Pots are
MADE IN AUSTRALIA
from UV stabilized Poly.

Easily automate an
irrigation system or
hand water

Vertical Garden Pots
hang on a variety of
surfaces

Hang your frame
on hooks or mount
permanently

Large pots encourage
large plants and
optimum plant health



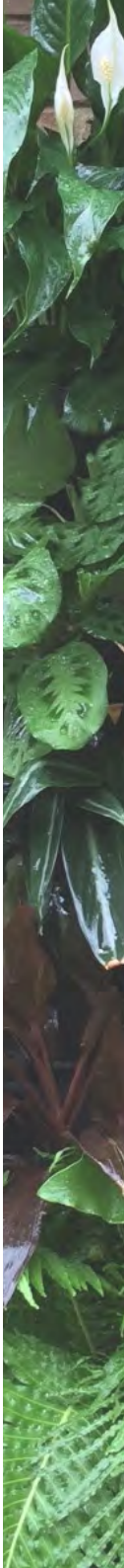
Excess moisture
flows to the pots
below

Plants grow up and
out, creating a lush
Green Wall

Pots are easily
unhooked, replaced
or manouvered

Planted Pots weigh
approx. 4kg each

Controlled irrigation
allows for indoor and
outdoor use



Pot Versatility

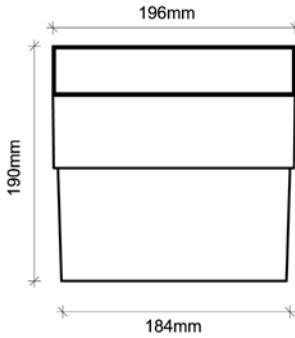
Our Vertical Garden Pots allow you to create stunning green features on a wide variety of surfaces, such as:

- Timber screens
- Wire mesh
- Garden lattice
- Any of our more complex Vertical Garden systems.

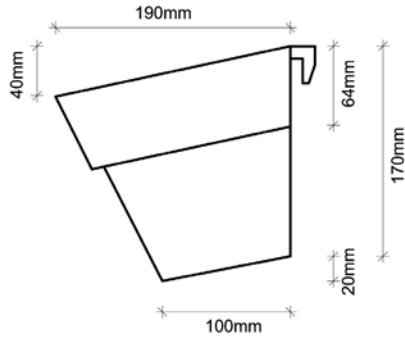
Pots are easily unhooked, making it simple to change the spacing and location of plants and to perform maintenance.



Particulars

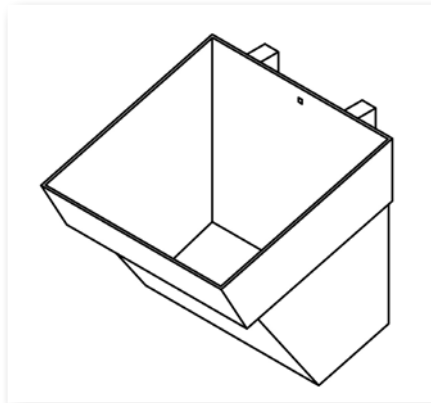


Front



Side

- Pot weight (empty): 300g (average)
- Pot volume: 4.4 litres (approx)
- Working Pot Volume: 3.2 litres (20mm from brim)
- Pot loads must not exceed: 5kg
- Average Working Load: 4.5kg (loose moist earth)
- Maximum Projected Load: 8.75kg (saturated sand)



Possibilities

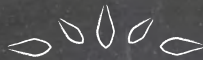
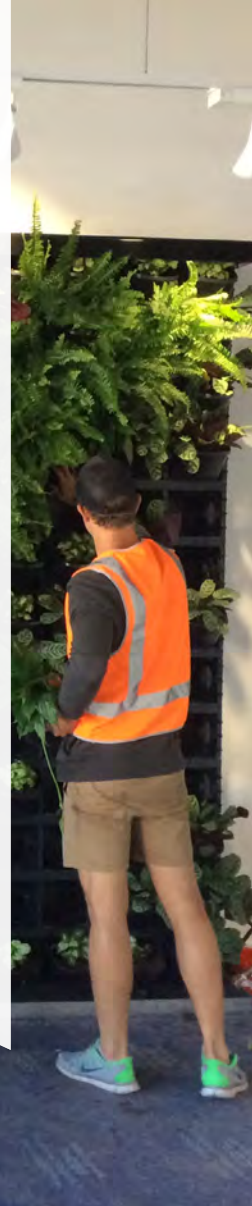




Our vision is to provide innovative and affordable Vertical Garden solutions, that easily transform living and working spaces into greener, more sustainable environments.

Vertical Gardens have some great benefits:

- Urban Beautification -
- Food Production -
- Improve Air Quality -
- Sound Insulation -
- Temperature Regulation -
- Wildlife Habitat -
- Property Value -
- Low Maintenance -



0422 579 932

cal@greenonwalls.com.au

www.greenonwalls.com.au

