

Pressure Washer



HS5T / HS75T/HS10T



CHARACTERISTICS

- STARCCO pressure washer is designed for heavy duty.
- Made with the best quality components and technology.
- UDOR brand pump made in Italy.
- Triplex pistons strong and reliable.
- Heavy duty flat base high pressure Seals.
- High resistance alloy in bronze and aluminum rod.
- High efficiency 1750 RPM electric motor.
- Thermal protection, for continuous use of the equipment.
- Direct coupling from the bell coupling to the motor.
- Water Control BYPASS.

AREAS OF USAGE

- Designed for industrial, agricultural, food, construction, car wash, among many other industries.

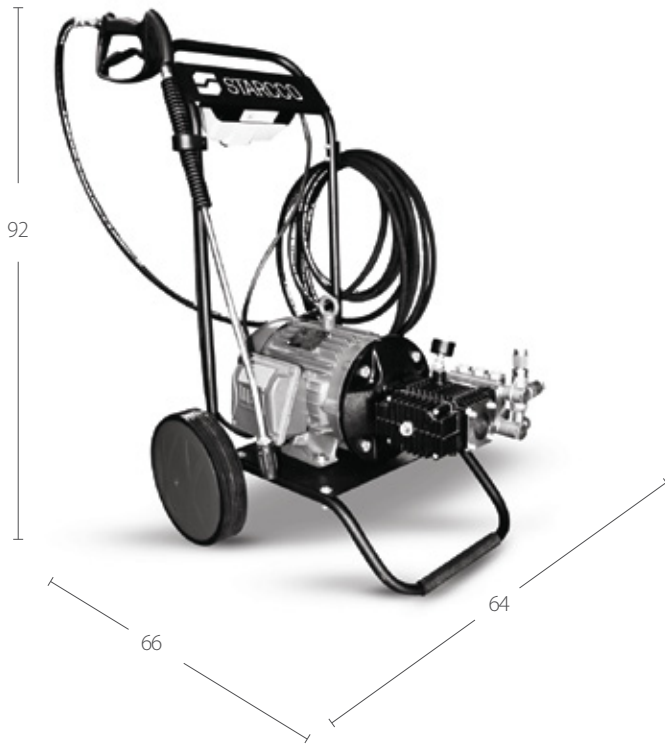
COMPONENTS

- High pressure 10 m hose, with heavy duty connections.
- Metal chassis with bearings, for easy transportation.
- Pressure gauge.
- Variable angle nozzle



www.starcco.com

Pressure Washer



SPECIFICATION	HS5T	HS75T	HS10T
Pump type	MD4.0/20U	MD4.0/30U	MKC15/28S
Max. pressure	2000 PSI	2900 PSI	3600 PSI
Flowrate	15 lt/min	15 lt/min	15 lt/min
Max. fluid temp.	0°-60°C	0°-60°C	0°-60°C
Power	5 HP	7.5 HP	10 HP
Voltage	220/440 3F	220/440 3F	220/440 3F
Dimensions	H: 92 cm / W: 64 cm / L: 66 cm	H: 92 cm / W: 64 cm / L: 66 cm	H: 92 cm / W: 64 cm / L: 66 cm

*HS5T model also available with 2 phase motor

