

Underdesk Machine Stand VF52005

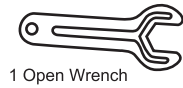
Vertiflex Products®

Assembly Instructions

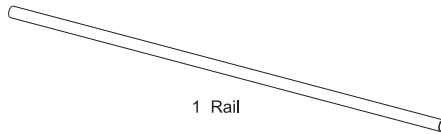
www.advantus.com

904.482.0091

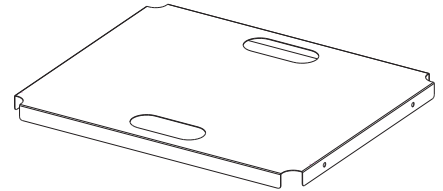
Parts List



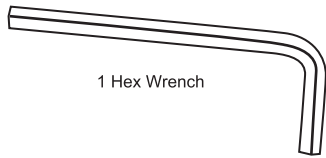
1 Open Wrench



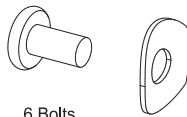
1 Rail



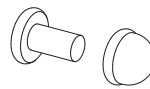
1 Metal Top



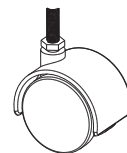
1 Hex Wrench



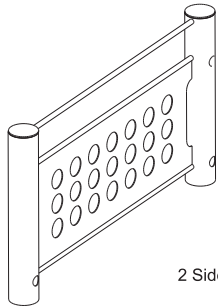
6 Bolts
6 Curved Washers



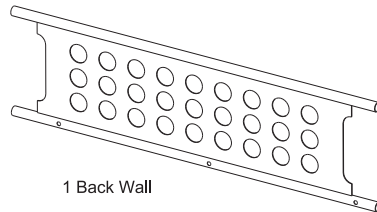
4 Short Bolts
4 Retaining Nuts



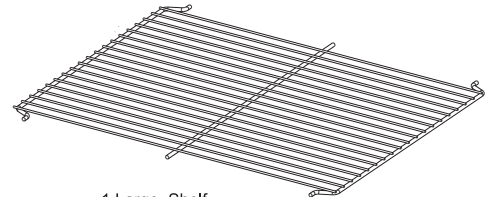
4 Casters



2 Side Walls

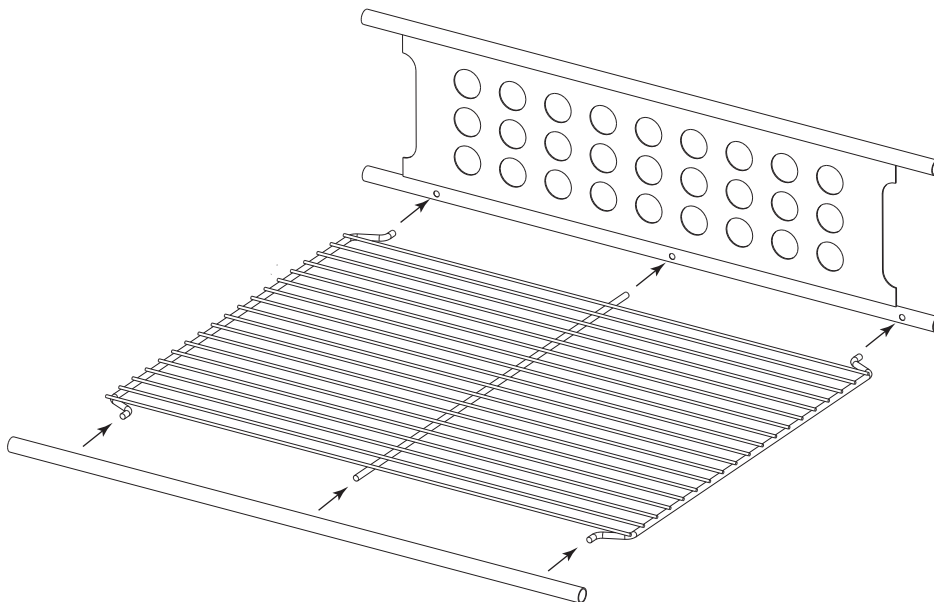


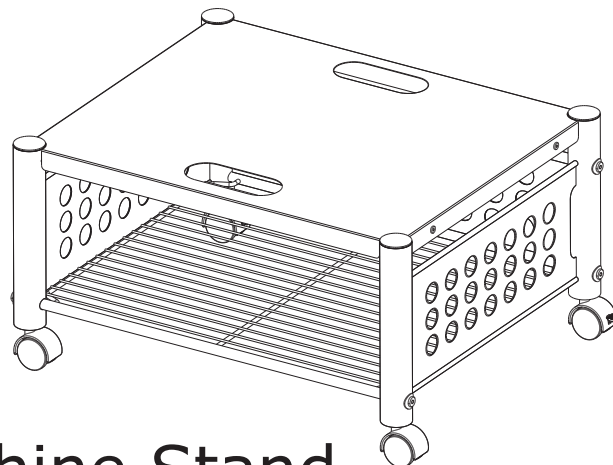
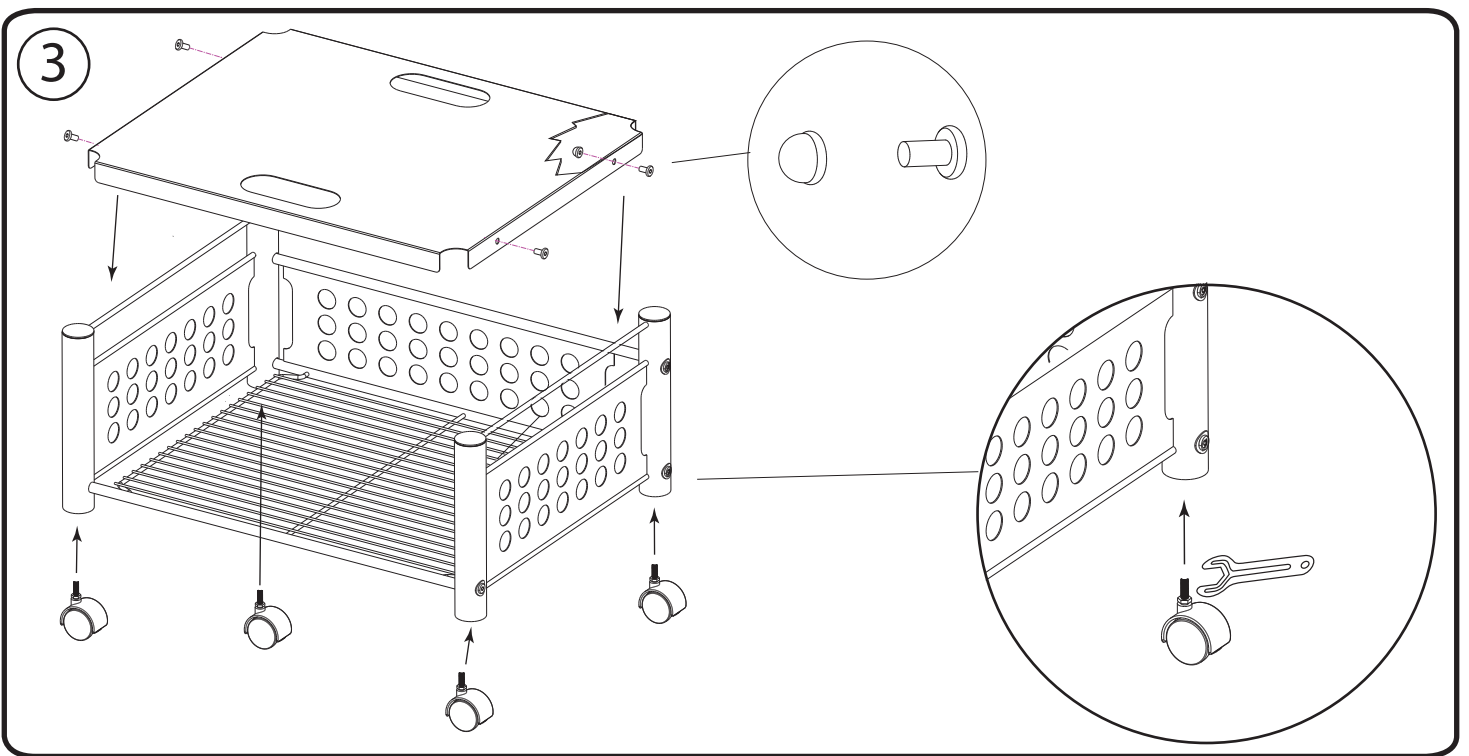
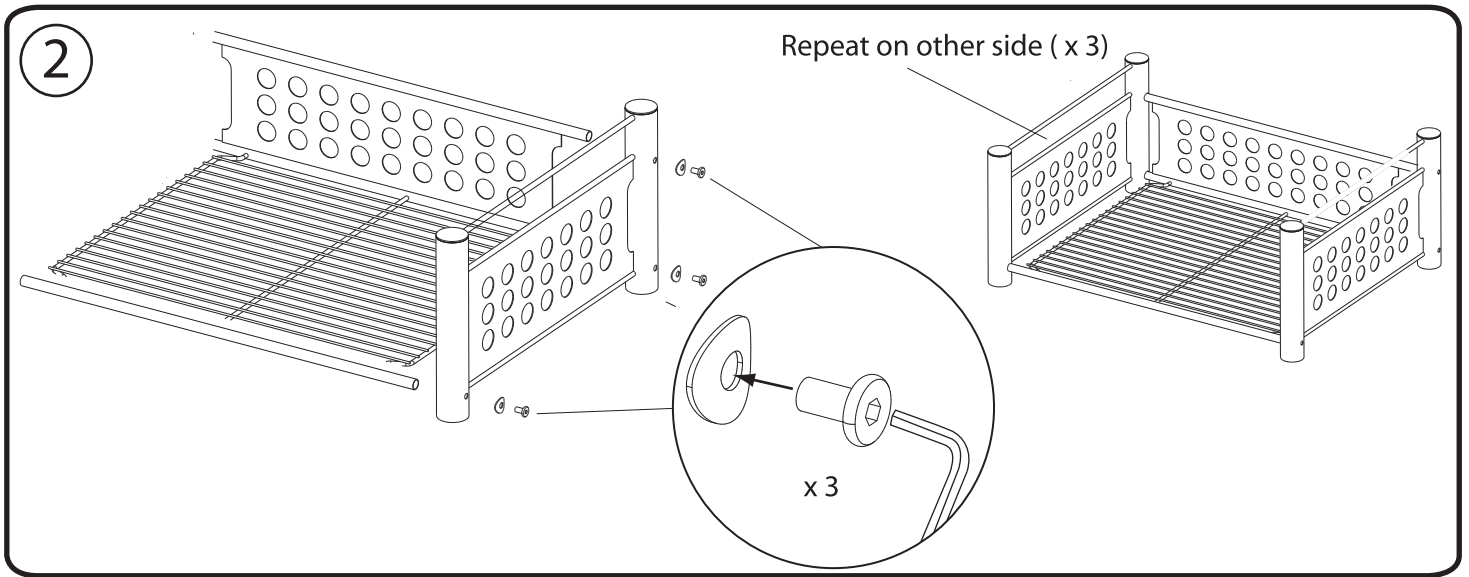
1 Back Wall



1 Large Shelf

1





Underdesk Machine Stand VF52005

Vertiflex Products