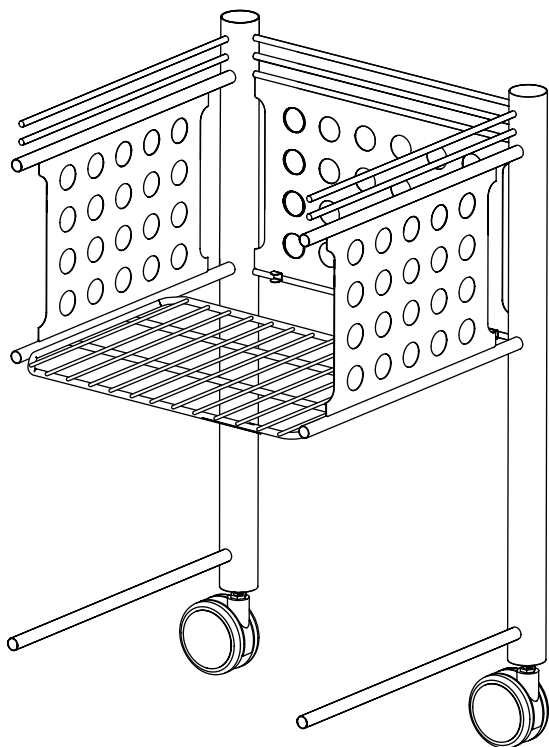


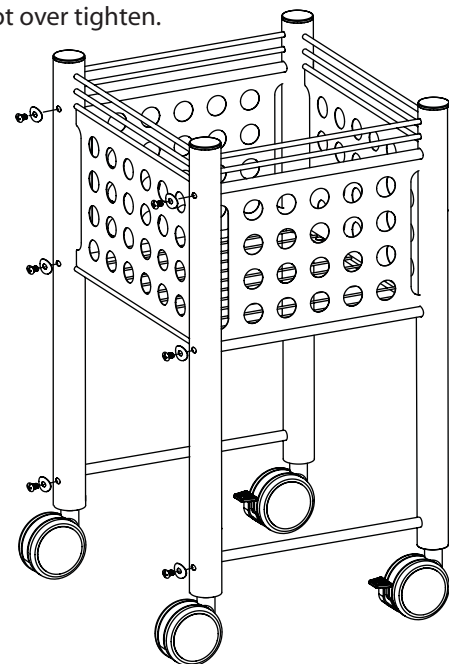
5 Place Top Shelf in Guide Brackets

Insert top shelf into guide brackets as shown.



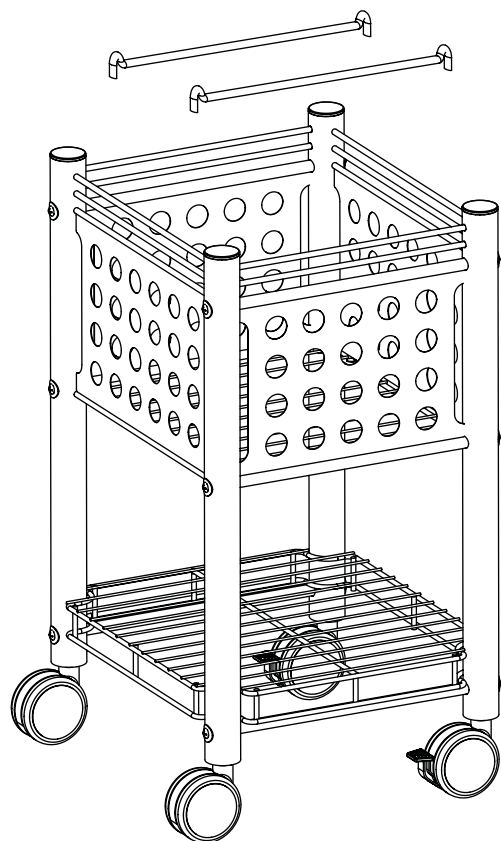
6 Attaching Other Frame Piece

Insert all rods into corresponding holes on the second frame piece. Note: Be sure that the top shelf aligns with guide brackets on 2nd frame. Place remaining 4mm hex screws through washers and tighten using 4mm hex wrench (included). Do not over tighten.

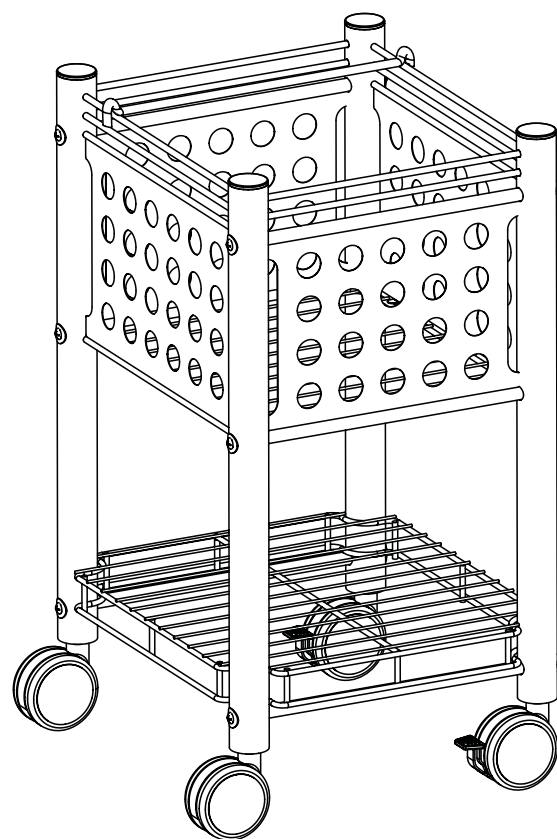


7 Attaching Bottom Shelf

Insert bottom shelf over 13 5/8" x 1/2" Threaded Rods as shown.



8 Adjust File Brackets as Desired



SmartWorx™ Sidekick File Cart

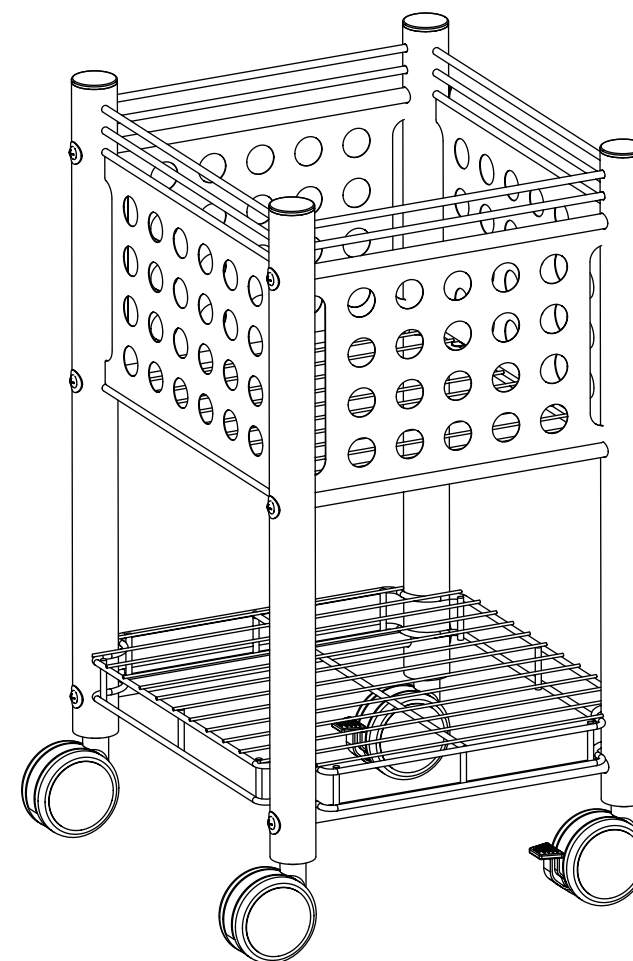
Vertiflex
Products™

VF52002

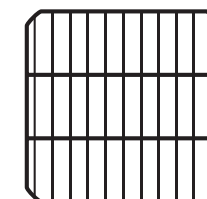
Assembly Instructions

www.advantus.com

904.482.0091



Top Shelf



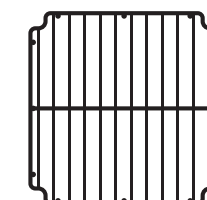
x1

File Brackets



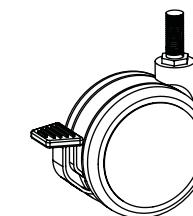
x2

Bottom Shelf



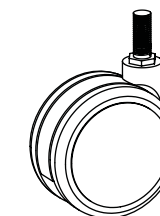
x1

Locking Casters



x2

Casters



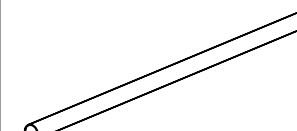
x2

13 5/8 x 1/4 Rods



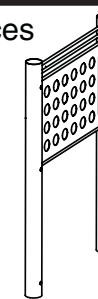
x4

13 5/8 x 1/2 Threaded Rods



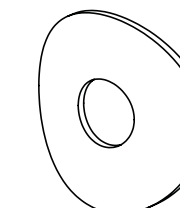
x2

Frame Pieces



x2

Washers



x12

4mm Hex Wrench



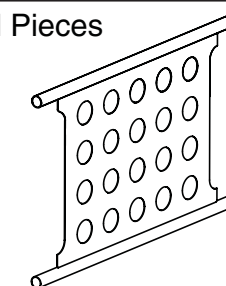
x1

13mm Open End Wrench



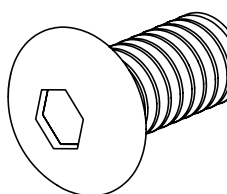
x1

End Pieces

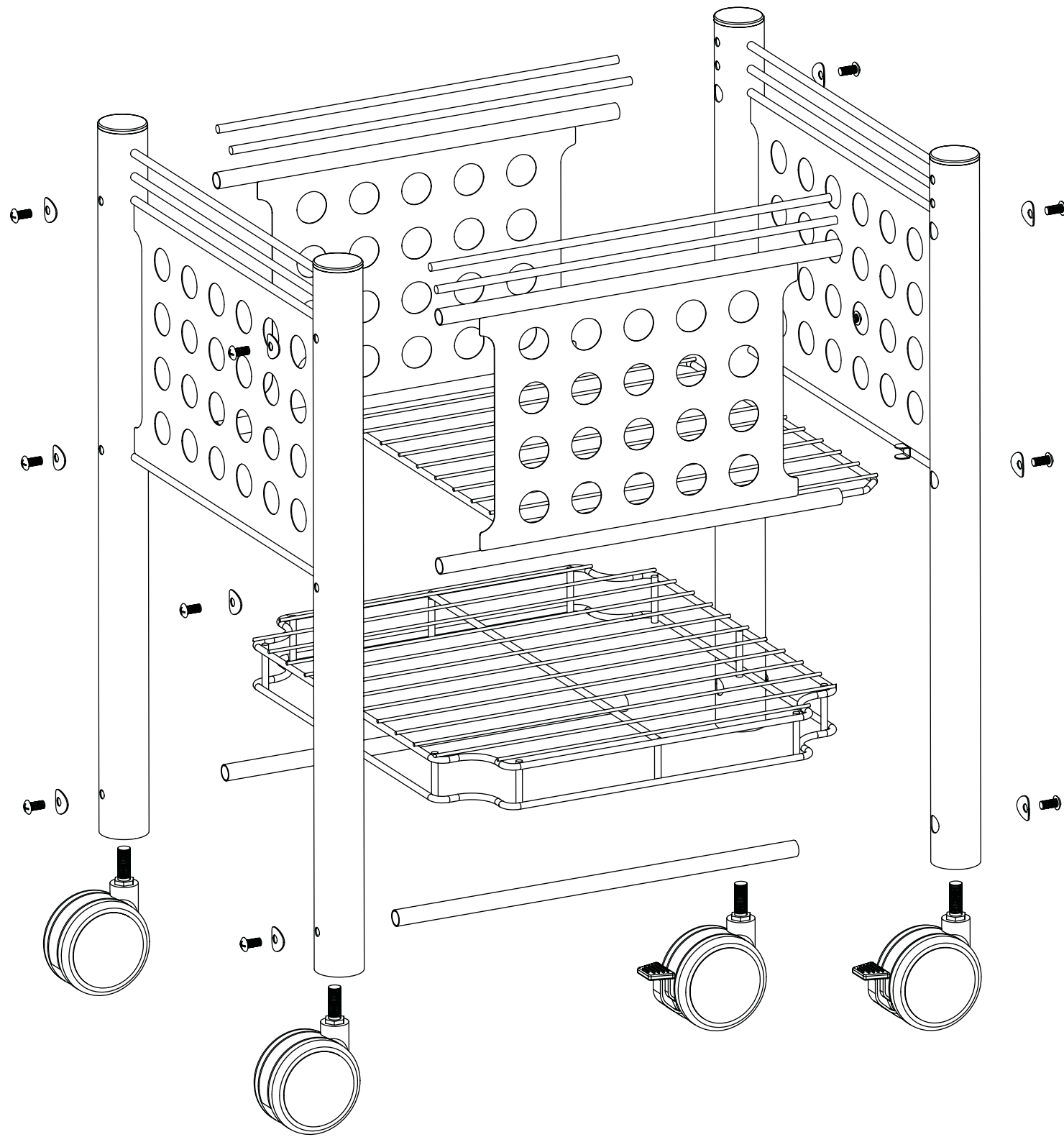


x2

4.0mm Hex Screws

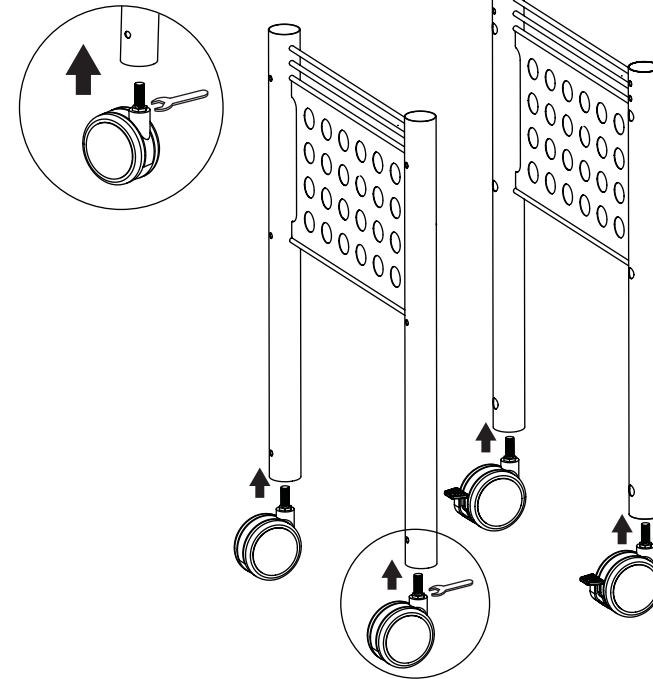


x12



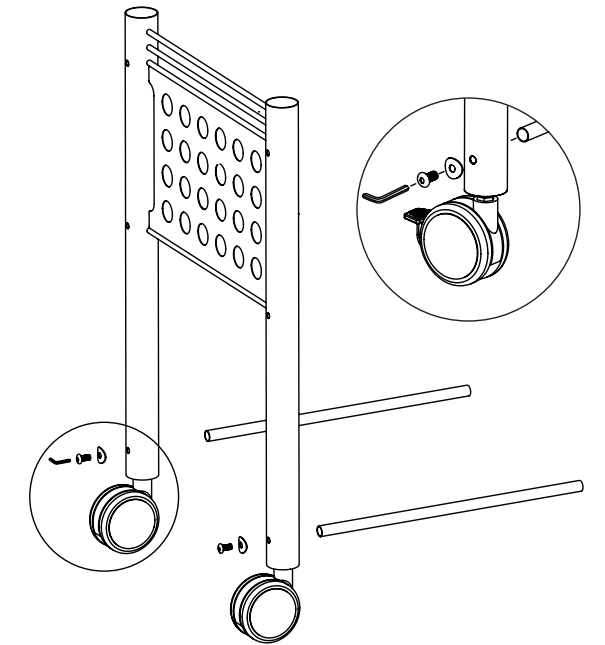
1 Attach Casters to Frame

Use 13mm Open End Wrench (included) to screw the casters into the threaded holes in the bottom of each side of frame. Repeat with other frame piece. Do not over tighten.



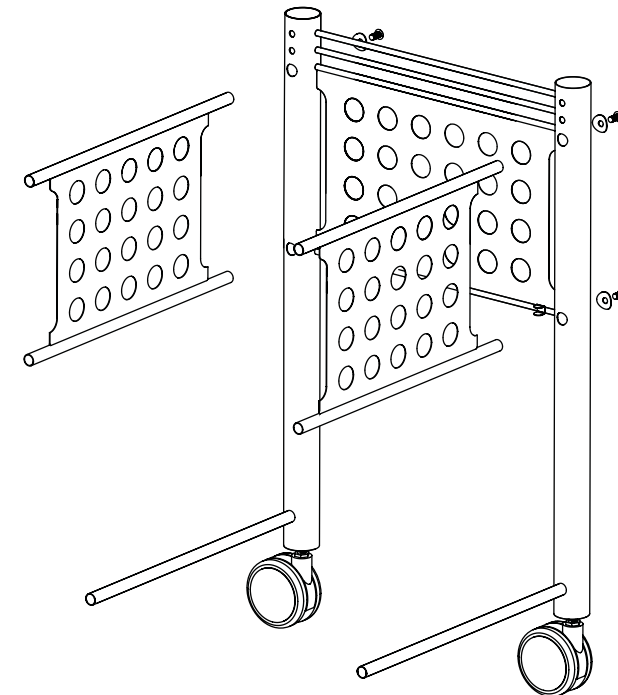
2 Attaching 13 5/8 x 1/2 Thick Rods

Insert each of the 13 5/8 x 1/2 Threaded Rods into the bottom holes in the legs of one frame piece as shown. Place 4mm hex screw through washer and tighten using 4mm hex wrench (included). Do not over tighten.



3 Attaching End Pieces

Insert each Side Piece into the upper pre-drilled holes on the frame piece as shown. Place 4mm hex screw through washer and tighten using 4mm hex wrench (included). Repeat on opposite side. Do not over tighten.



4 Attaching 13 5/8" x 1/4" Rods

Insert 13 5/8" x 1/4" Rods into the two remaining small holes at the top of frame. Repeat on opposite side.

