

Refreshment Center

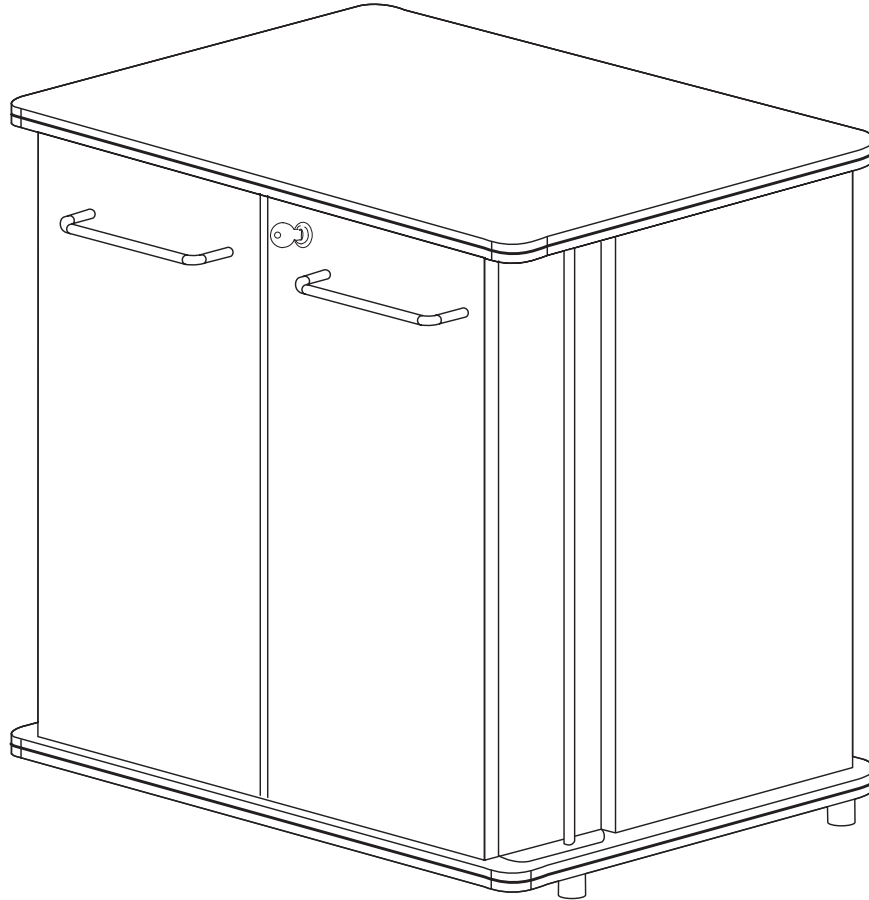
VF35157

Vertiflex
Products™

Assembly Instructions

www.advantus.com

904.482.0091



Before you Begin

Review all instructions before beginning assembly.

Please note that some hardware may be pre-installed

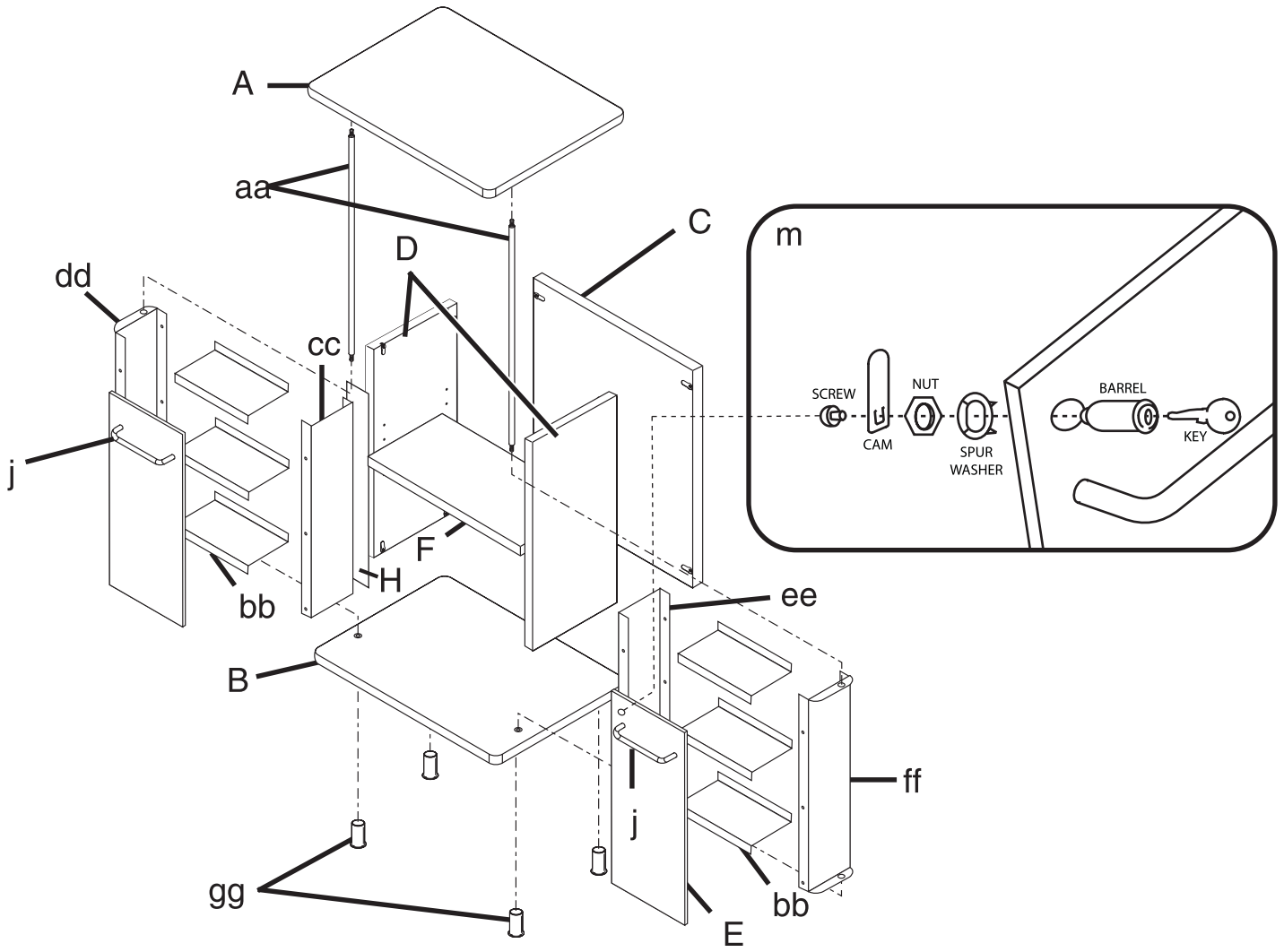
Unpack the carton the unit came in. Be sure to remove everything.

Before starting, check the parts against the parts list. Separate, identify and count all hardware parts. Assembly will be much easier if this is done first.

The following tools are required for assembly: Phillips Screwdriver, Blade Screwdriver, and Mallet/Hammer. This unit can be cleaned with a mild detergent and a damp cloth.

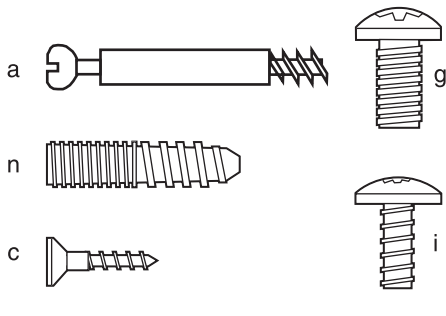
To assure the prompt and accurate handling of a claim in the event of damage, this unit must be packed in its original carton in the same manner as which it was shipped. Failure to do this may result in a claim denial.

Exploded View

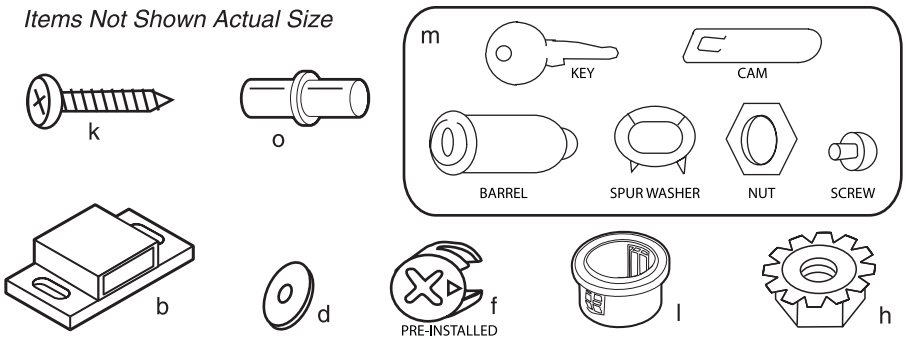


Hardware & Parts List

Items Shown Actual Size



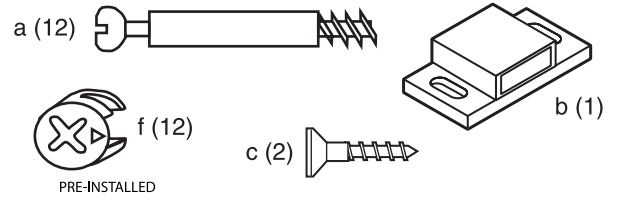
Items Not Shown Actual Size



ITEM	DESCRIPTION	QTY	ITEM	DESCRIPTION	QTY	ITEM	DESCRIPTION	QTY
A	TOP PANEL	1	ee	RIGHT DOOR INNER LEFT SIDE PANEL	1	h	1/4 - 20 NUT	12
B	BOTTOM PANEL	1	ff	RIGHT DOOR OUTER RIGHT SIDE PANEL	1	i	PAN HEAD SCREW #14 X 1/2	16
C	BACK PANEL	1	gg	FOOT	4	j	HANDLE	2
D	SIDE PANEL	2	a	RAFIX BOLT	12	k	1-1/4" Wood Screws	4
E	DOOR	2	b	MAGNET CATCH	1	l	BUSHING	4
F	ADJUSTABLE SHELF	1	c	WOOD SCREW #5 X 5/8	2	m	LOCK ASSEMBLY W/ STRAIGHT CAM	1
aa	HINGE ROD	2	d	WASHER	2	n	TABLE SCREW 1/4 - 20 X 1	3
bb	METAL SHELF	6	f	RAFIX CAM	12	o	STEEL PIN	4
cc	LEFT DOOR INNER RIGHT SIDE PANEL	1	g	MACHINE SCREW 1/4 - 20 X 1/2	12	H	Left Drawer Lip	1
dd	LEFT DOOR OUTER LEFT SIDE PANEL	1						

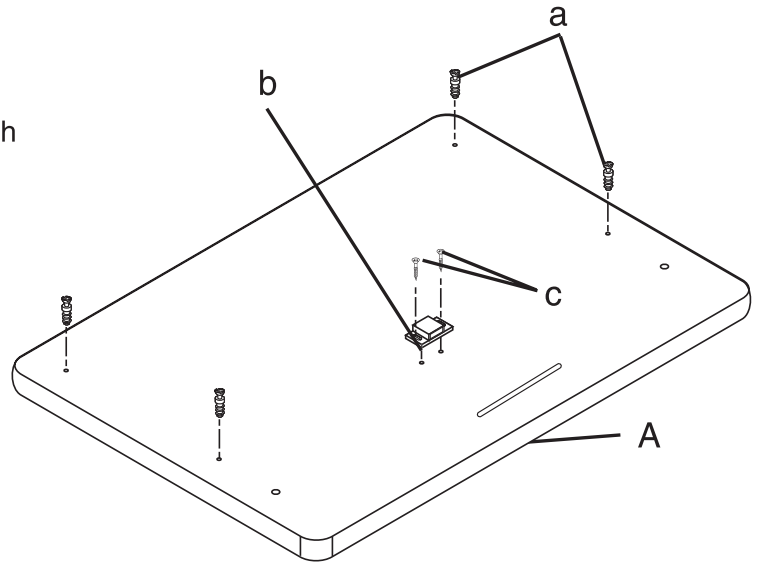
1

It is a good idea to assemble your Refreshment Center on a carpet to avoid scratching. If this is not possible you can use the box the unit came in as a work surface. **(Be sure to remove all staples!)**

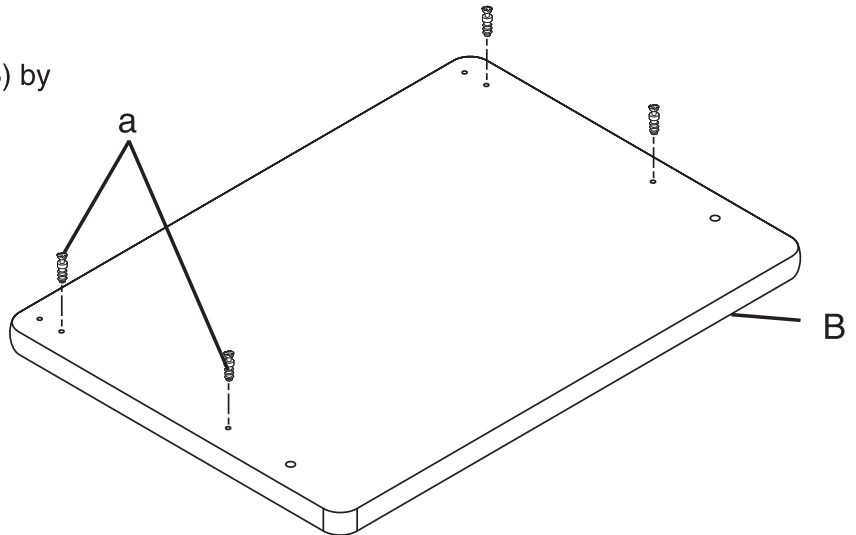


First, pre-assemble Top Panel (A) by inserting four Rafix Bolts (a) then screw in Magnet Catch (b) using two Wood Screws #5x5/8 (c).

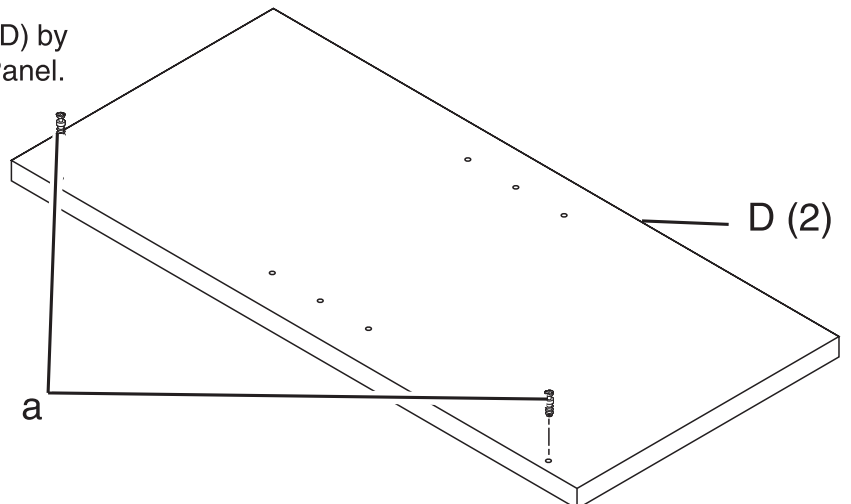
NOTE: Nut inserts are pre-installed



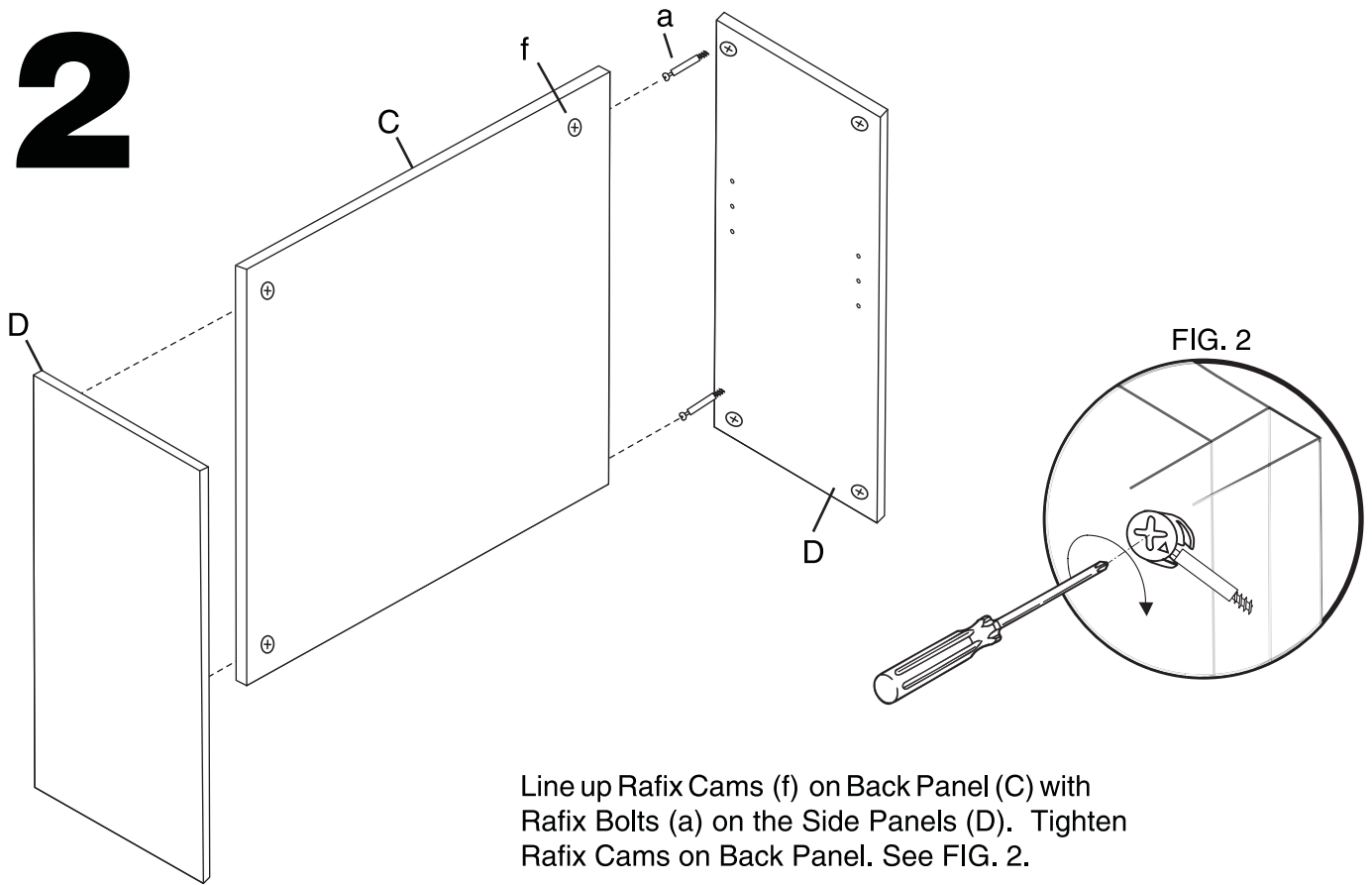
Second, Pre-assemble Bottom Panel (B) by inserting four Rafix Bolts (a).



Finally, Pre-assemble both Side Panels (D) by inserting two Rafix Bolts (a) to each Side Panel.



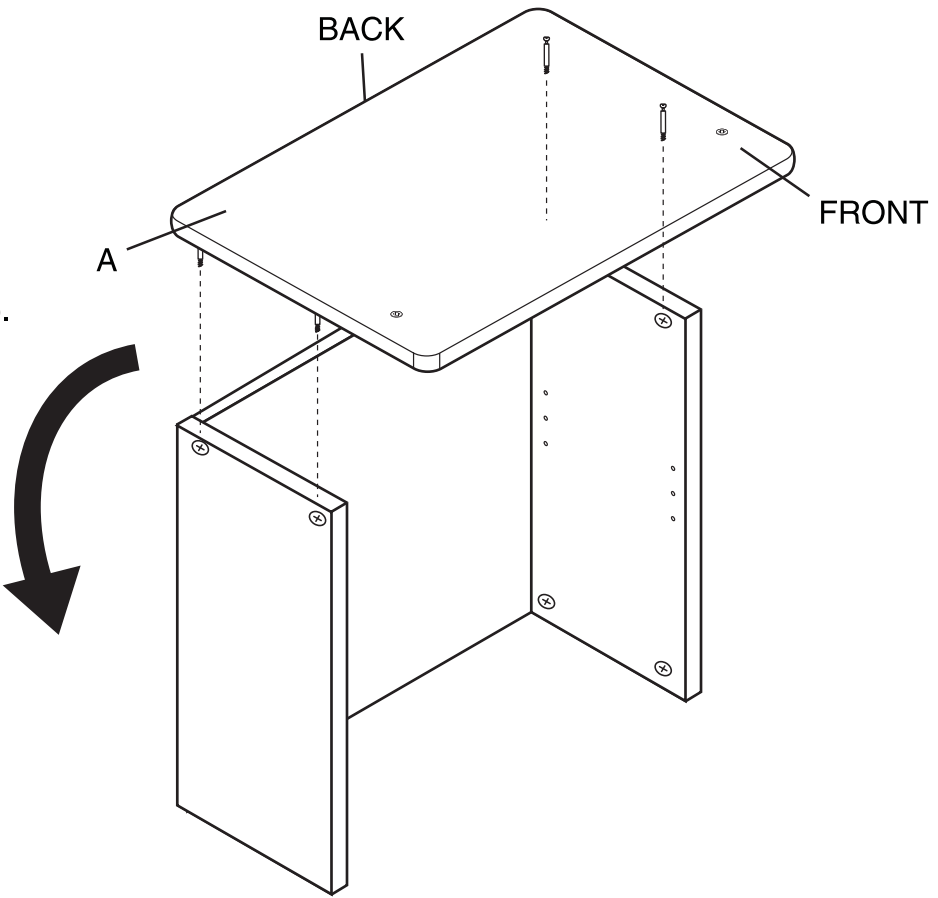
2



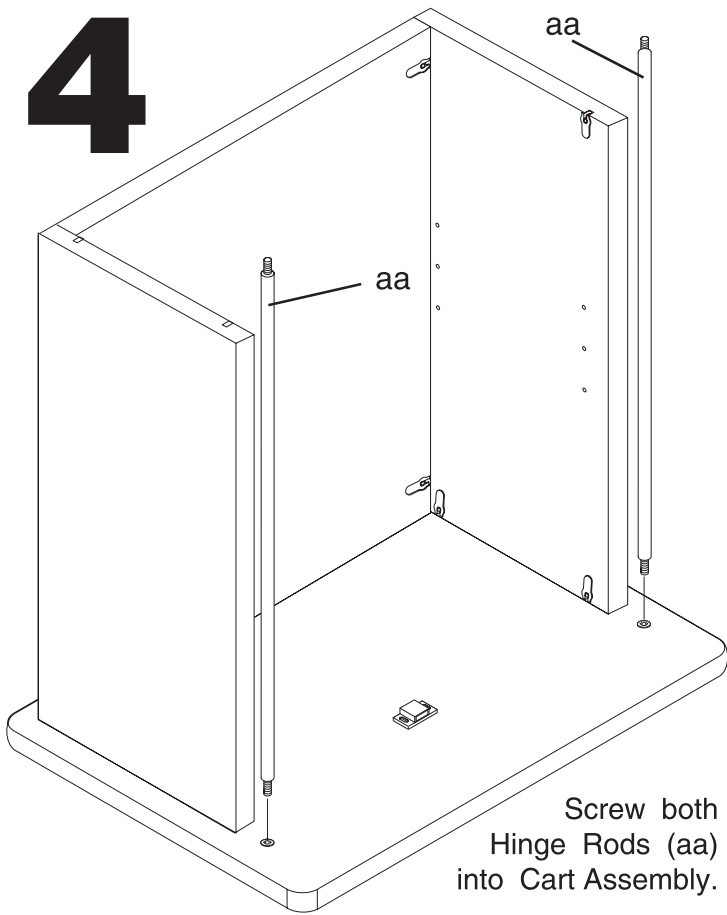
Line up Rafx Cams (f) on Back Panel (C) with Rafx Bolts (a) on the Side Panels (D). Tighten Rafx Cams on Back Panel. See FIG. 2.

3

Lower Top Panel (A) onto the Side Panels and Tighten Rafx Cams (f).
Note: Be sure open holes on Top Panel Face to the FRONT
Turn this assembly over.

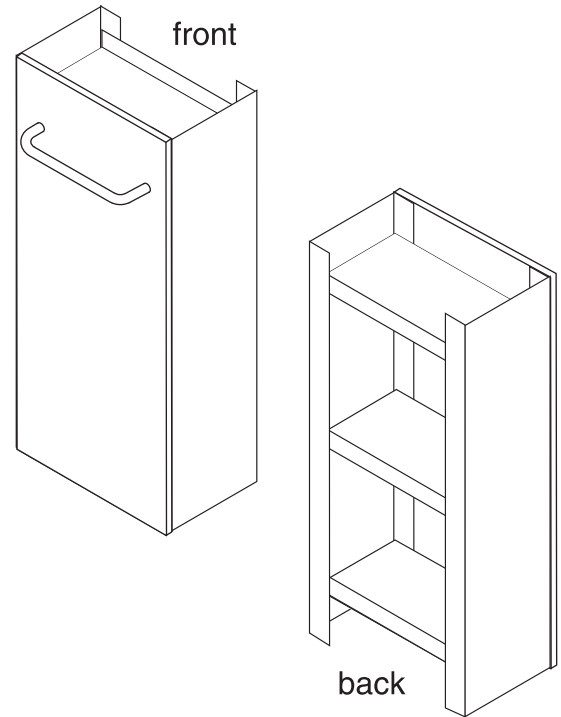


4



Screw both Hinge Rods (aa) into Cart Assembly.

Assembled Door Preview

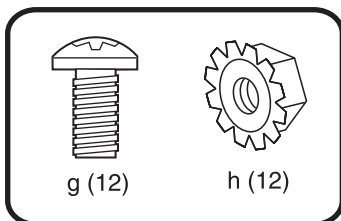
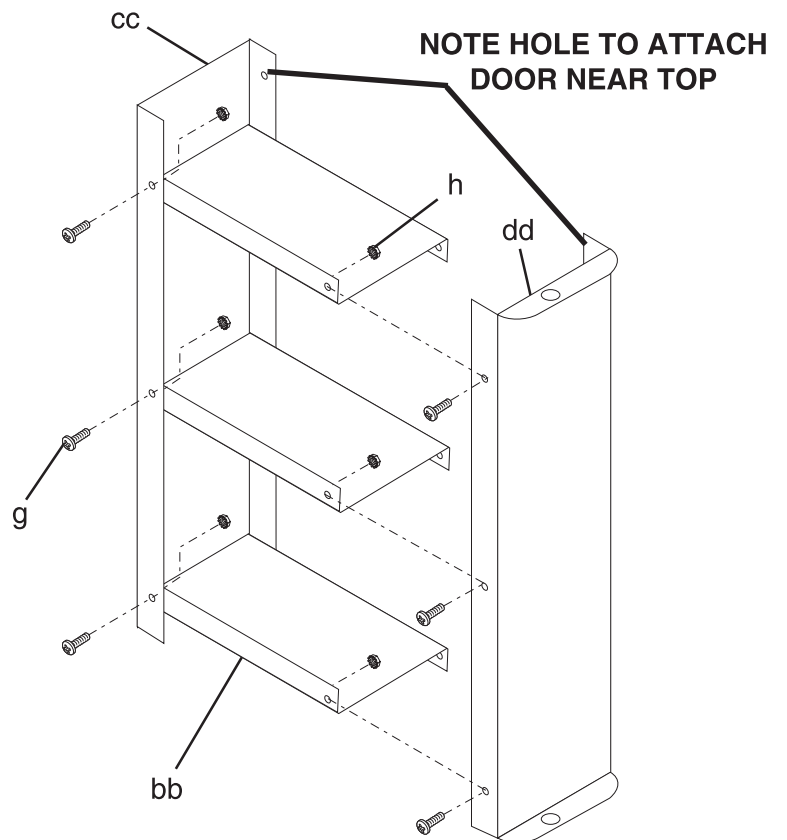


5

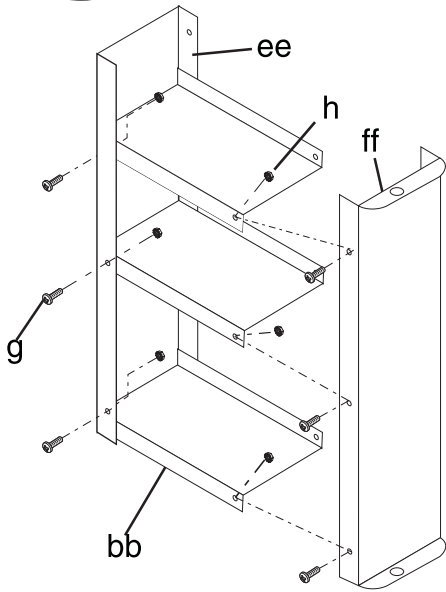
Reference Illustration for correct positioning of Metal Shelves () BEFORE beginning this step.

For Left Door: Attach Metal Shelf using holes where flange is facing out with two Machine Screws 1/4 -20 x 1/2 (g) and secure in place with two 1/4 - 20 nuts (h).

Repeat procedure for other two shelves.

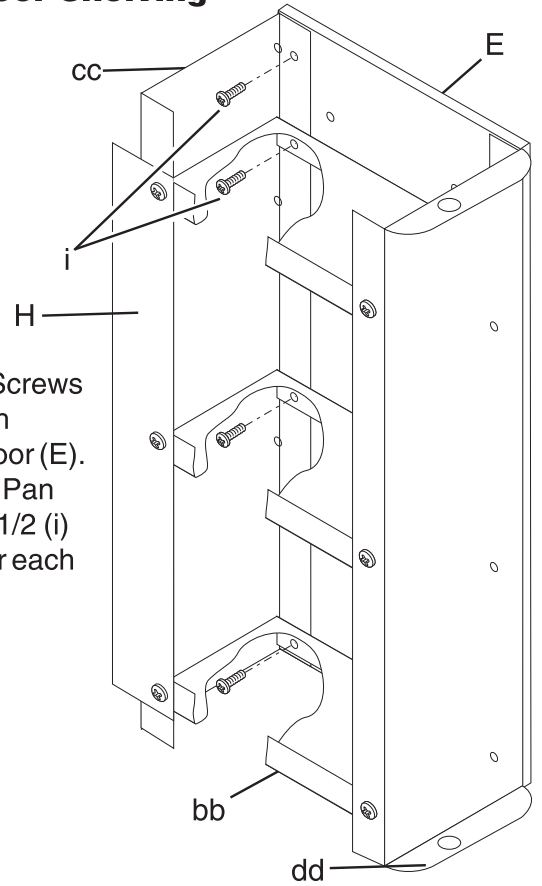


6 Right Door Shelving

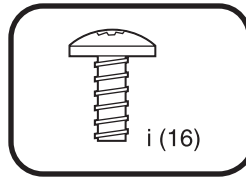


To assemble Right Door, use Inner Left Side Panel (ee) and Outer Right Side Panel (ff) and then repeat instructions to insert Metal Shelves.

7 Left Door Shelving



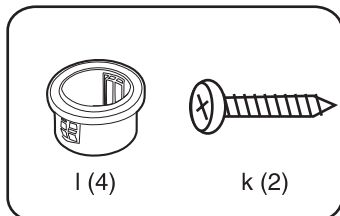
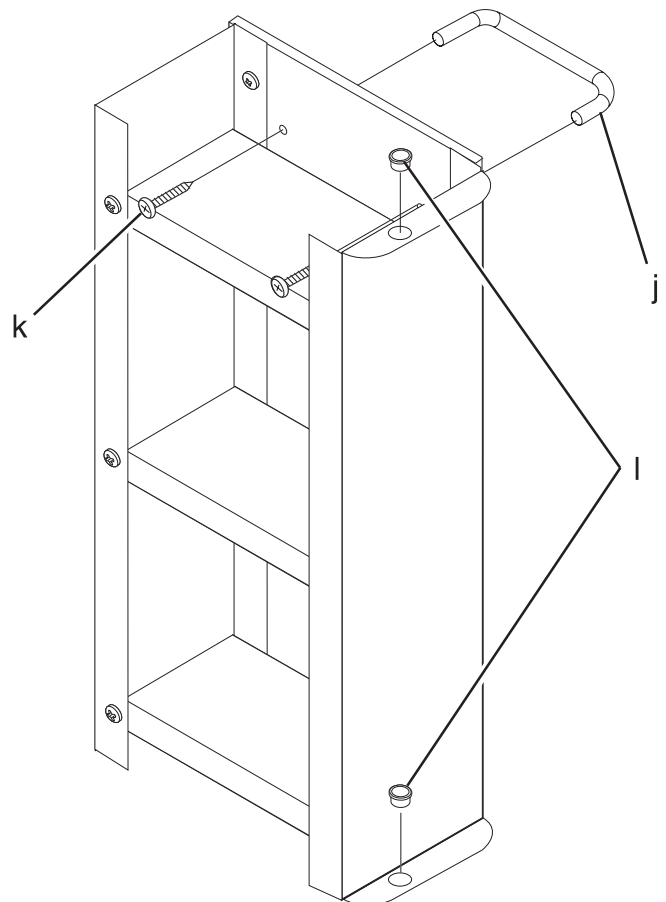
Use two Pan Head Screws #14 x 1/2 (i) to attach assembly to top of Door (E). Continue to use two Pan Head Screws #14 x 1/2 (i) to attach holes under each Metal Shelf to Door.



8

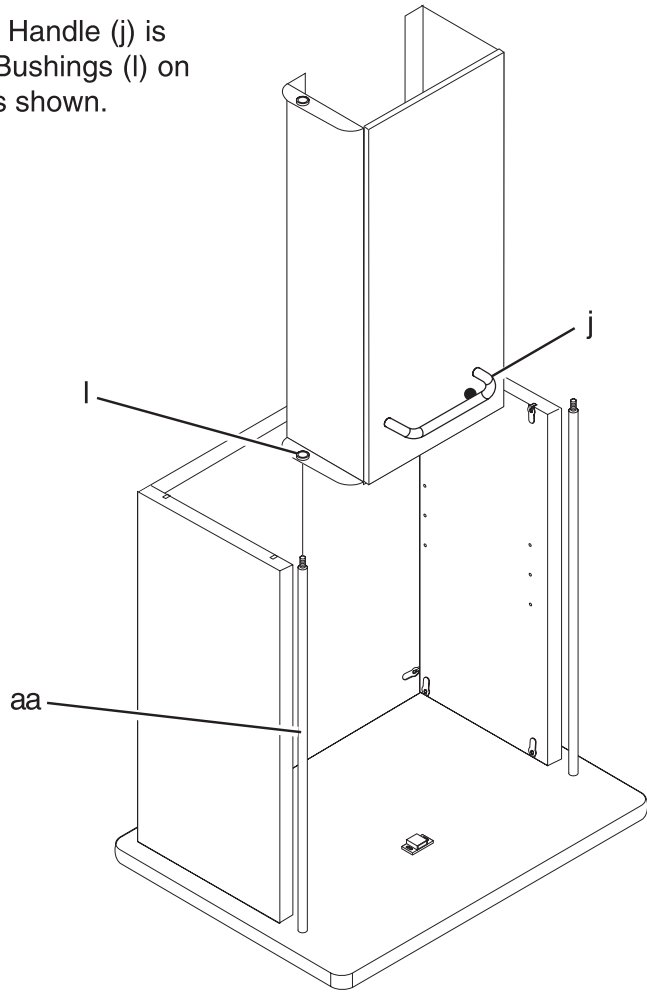
Attach one Handle (j) to each Door using two 1-1/4" Wood Screws (k) for each Handle.

Next, attach one Bushing (l) to hole on top and bottom of Outer Left Side Panel and Outer Right Side Panel on each Door.



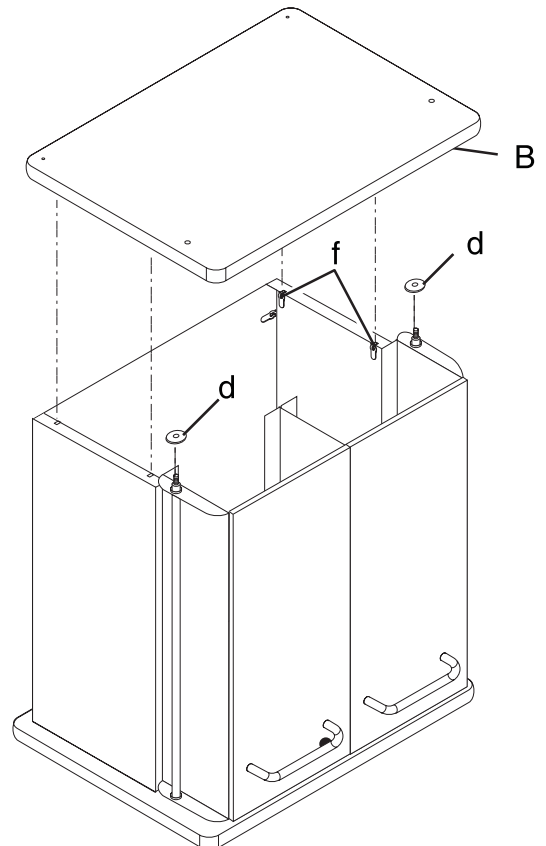
9

Flip Door Assembly over so Handle (j) is towards the floor and slide Bushings (l) on door over Hinge Rod (aa) as shown. Repeat step for other door.



10

Attach Bottom Panel (B) to Assembly by lining up Rafix Bolts (a) on underside of the Bottom Panel with the Rafix Cams (f) at the top of the Assembly. DO NOT TIGHTEN RAFIX CAMS YET. Install washers (d) as shown.

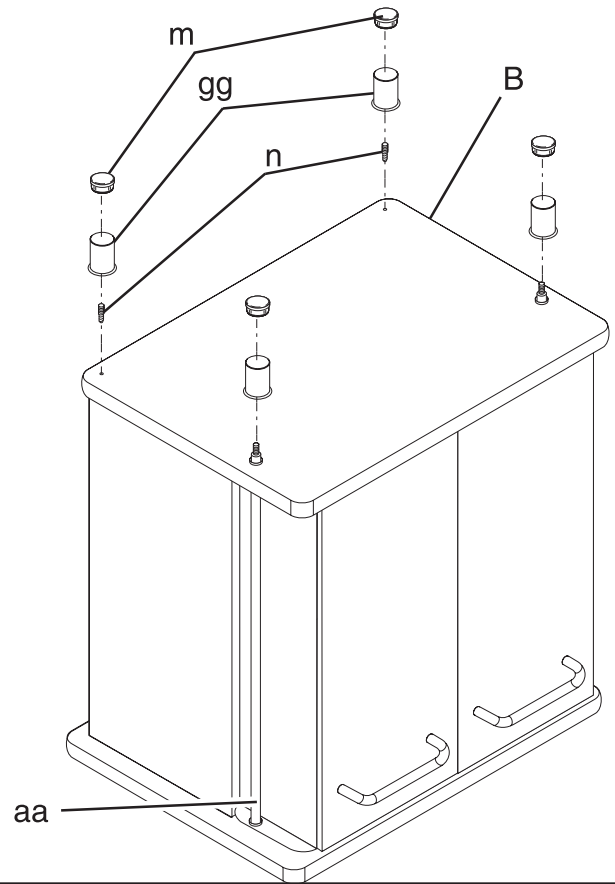
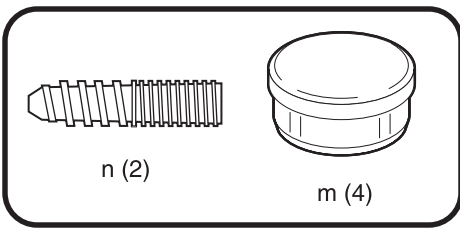


11

Pre-assemble each Foot (gg) with one End Cap (m). Also, insert a Table Screw 1/4 - 20 x 1 (n) into two Feet.

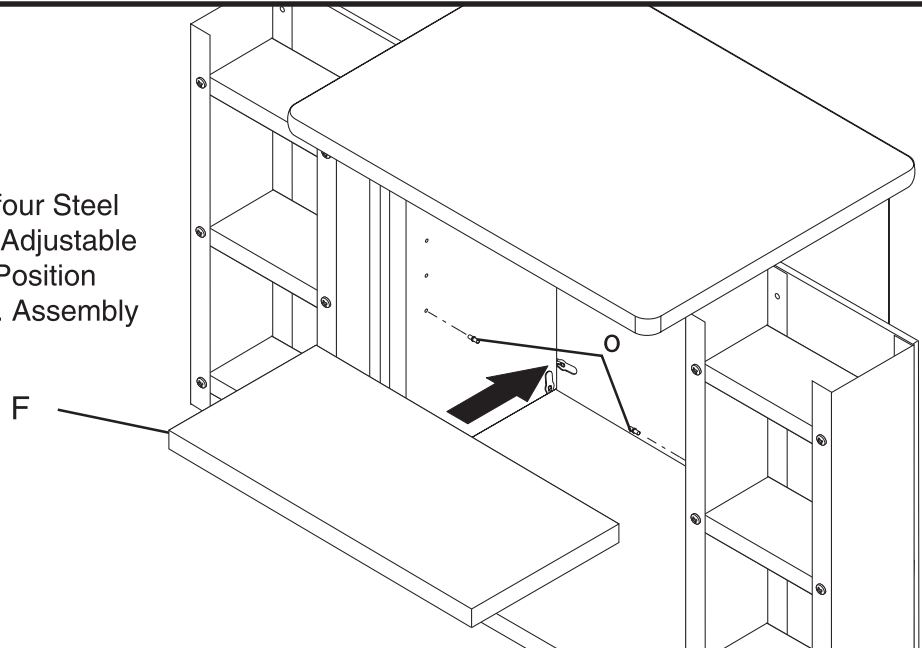
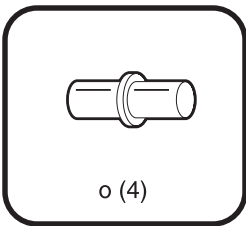
Attach Feet without Table Screws to the Hinge Rods (aa). Next, attach two Feet with Table Screws to remaining holes on the Bottom Panel (B).

Open doors carefully and tighten all Rafix Cams on Bottom Panel.



12

Flip Assembly over and place four Steel Pins (o) to desired location for Adjustable Shelf (F) inside of Assembly. Position Adjustable Shelf on Steel Pins. Assembly of your unit is now complete.



13

Exploded view of Lock Assembly with Straight Cam

