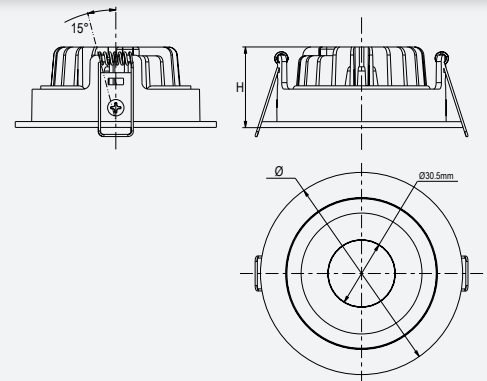


## VISUAL COMFORT LED DOWNLIGHT

- Die-casting Aluminium body
- Powder coated finish
- Polycarbonate lens (PMMA)
- COB LED chips
- Come with constant current LED driver
- Trailing edge dimming
- IP54 weatherproof front only
- 0.9m Flex & Plug
- CRI>90
- Power factor: >0.9
- Efficacy: 85lm/W
- Lifespan: 50,000Hrs
- Tiltable
- Operating Ambient Temp: -20~40°C
- Electrical Classification: Class II
- Warranty: 5 Years

# DAINTREE

EDL103-3/4 WW



## TECHNICAL SPECIFICATIONS

MODEL NO.	INPUT VOLTAGE	POWER	LUMEN	COLOUR TEMPERATURE	BEAM ANGLE	DIMENSIONS (Ø×H)	FITTING COLOUR
EDL103-3 WW WH	240V	8W	700lm	3000K	36°	92 x 37 mm	White
EDL103-4 WW WH	240V	8W	700lm	3000K	36°	92 x 37 mm	Black