

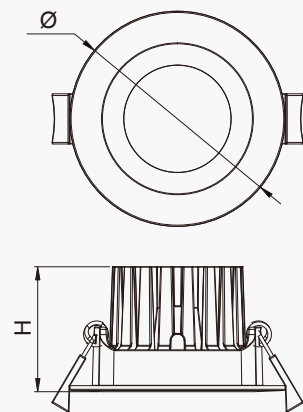


GIMBLE RECESSED LED DOWNLIGHT

- Die-casting Aluminum body
- Powder coated finish
- Polycarbonate reflector
- COB LED chips
- Come with constant current LED driver
- Trailing edge dimming
- IP44
- 1.2 Flex & Plug
- CRI: >80
- Power factor: >0.9
- Efficacy: >83lm/W
- Lifespan: 30,000Hrs
- IC Rating: IC-4
- Operating Ambient Temp: -20~40°C
- Electrical Classification: Class II
- Warranty: 3 Years
- Fixed

DAINTREE

EDL110-1 WW WH
EDL110-1 WW BK



TECHNICAL SPECIFICATIONS

MODEL NO.	INPUT VOLTAGE	POWER	LUMEN	COLOUR TEMPERATURE	BEAM ANGLE	DIMENSIONS (Ø×H)	FITTING COLOUR
EDL110-1 WW WH	240V	10W	830lm	3000K	60°	90 x 52 mm	White
EDL110-1 WW BK	240V	10W	830lm	3000K	60°	90 x 52 mm	Black