

PTG-2R

4WD electric racing rally

1/10
SCALE

CHASSIS

LC RACING 
RADIO CONTROLLED BUGGIES

WWW.LCRACING.NET / @SmallCarBigFun @LC Racing.EMB



Specifications are subject to change without notice.



**Apply Silicone Oil
(NOT INCLUDED)**
硅油 (本产品不包含)



**Apply Grease
(NOT INCLUDED)**
润滑油脂
(本产品不包含)



**Apply Threadlock
(NOT INCLUDED)**
螺丝胶 (本产品不包含)

2x

**Assemble as many
times as specified
按指定的次数组装**

TOOLS REQUIRED

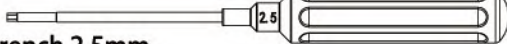
Allen Wrench 1.5mm
1.5mm内六角螺丝刀



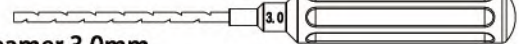
Allen Wrench 2.0mm
2.0mm内六角螺丝刀



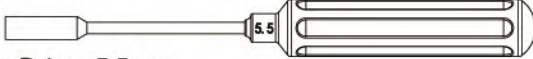
Allen Wrench 2.5mm
2.5mm内六角螺丝刀



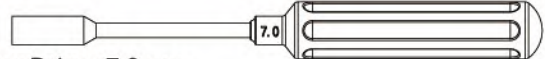
Arm Reamer 3.0mm
3.0mm铰刀



Socket Driver 5.5mm
5.5mm套筒



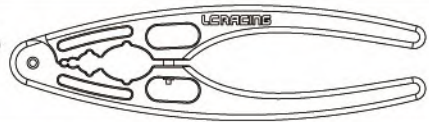
Socket Driver 7.0mm
7.0mm套筒



Cutter
美工刀



Multi Clamp
多功能钳



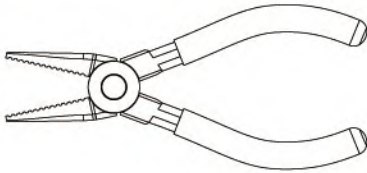
Reamer
扩孔器



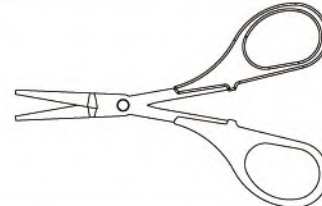
Tweezer
镊子



Pliers
尖嘴钳



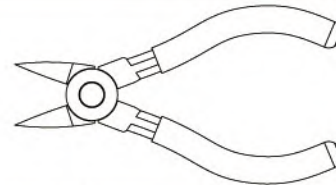
Curve Scissors
剪刀



Turnbuckle Wrench
4mm+3mm
连杆扳手



Side Cutters
斜口剪



WARNING:

This product is not a toy. Keep out of reach of children 3 years of age or younger. It is not recommended for children under 14-year-old and any minor under the age of 18 should be accompanied by an adult when operating. This product is a precision machine that requires proper assembly and setup to avoid accidents. Failure to take caution when operating this product may result in serious injury or property damage. It is the owner's responsibility to operate this product in a safe manner. Manufacturer and its distributors are not responsible in any way for all bodily injury(s) and/or property damage that may occur from the use of or caused by in any way of this product.

SAFTY PRECAUTIONS

- Never charge a lithium polymer battery with a charger designed for NiCd, NiMH, or any other type of battery chemistry. Use ONLY charger designed for LiPo Battery.
- Do not leave LiPo battery unattended during charging.
- Do not overcharge the battery.
- Always place the battery on a heat resistant surface alone when charging.
- Always put the LiPo battery inside a charging protection container while charging.
- Do not allow LiPo cells to overheat at any time. Cells which reach greater than 140 Fahrenheit (60°C) will usually become damaged and will catch fire.

Never put fingers or any objects inside rotating and moving parts, this may cause serious damage and injury.

Do not touch motor, electronic speed control and battery after use of model, it may get hot, and you may get burned.

OPERATION SAFTY PRECAUTIONS

Avoid running the car in crowded areas and near small children

Avoid running in standing water and rain. If RC unit, motor, or battery get wet, clean, and dry it carefully.

Always charge lipo battery with a lipo charger bag.

Do not walk away when the battery is charging.

RC OPERATION PROCEDURES

1. Switch on Transmitter first
2. Switch on receiver
3. Check option using transmitter before running
4. Adjust steering servo and trim, make sure the model running straight with transmitter in neutral
5. After running, switch off receiver first, then the transmitter
6. Make sure disconnect and remove all batteries
7. Clean up and apply grease the model
8. Store the model and battery separately when not in use

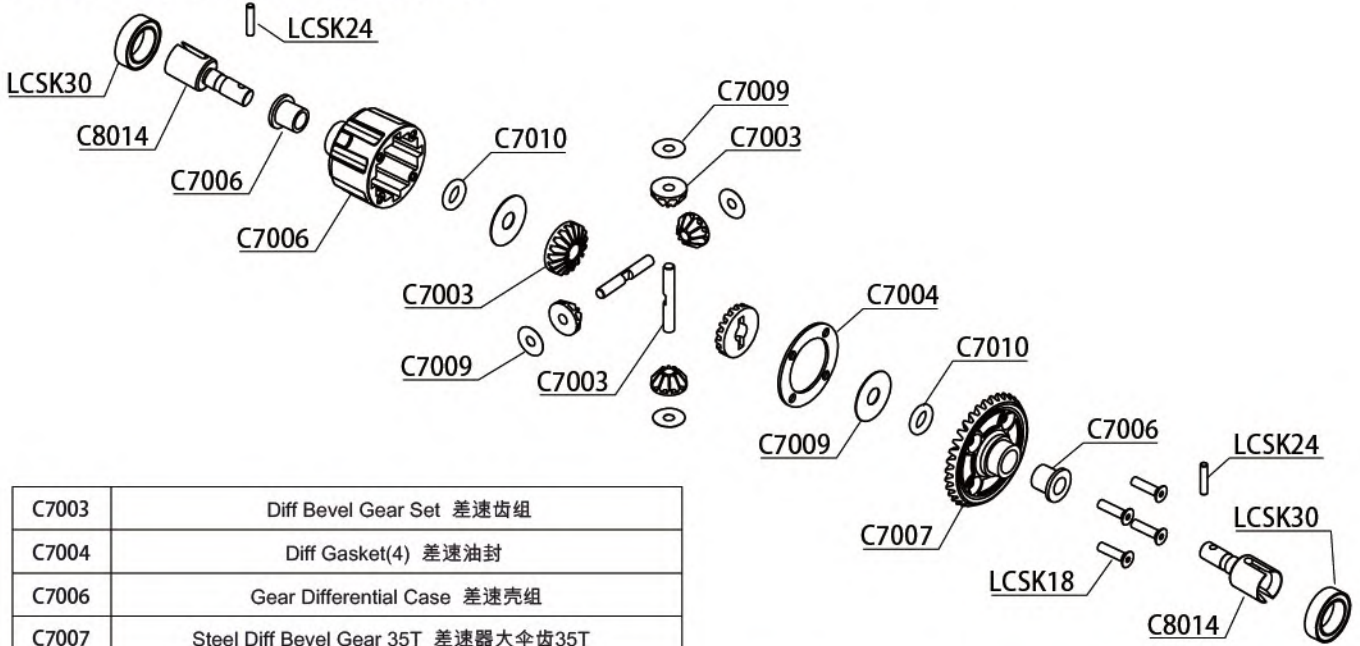
CHOKING HAZARD:

Small parts, not for children, do not put any parts into mouth, or lick any parts of the model. Do not touch the gear when they are running.

Please read the user manual thoroughly before operation. Please be familiar with the caution, function, and usage of the model. The specification is of the R/C product may be altered without notice. This product contains chemicals known to the State of California to cause cancer, birth defects or other reproductive harm. Please recycle.

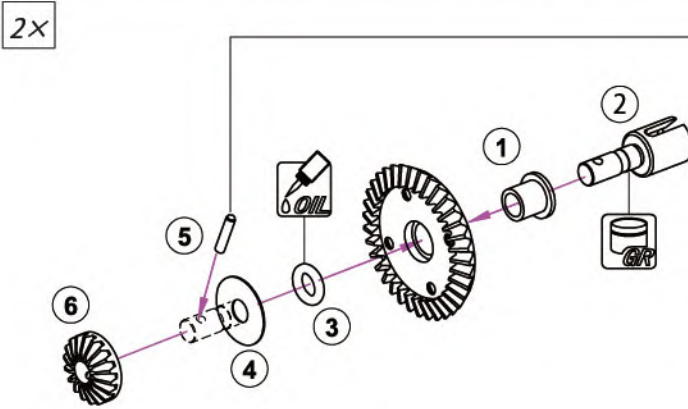
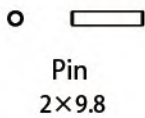
BAG A : FRONT & REAR DIFFERENTIAL ASSEMBLY

A包：前和后差速器安装

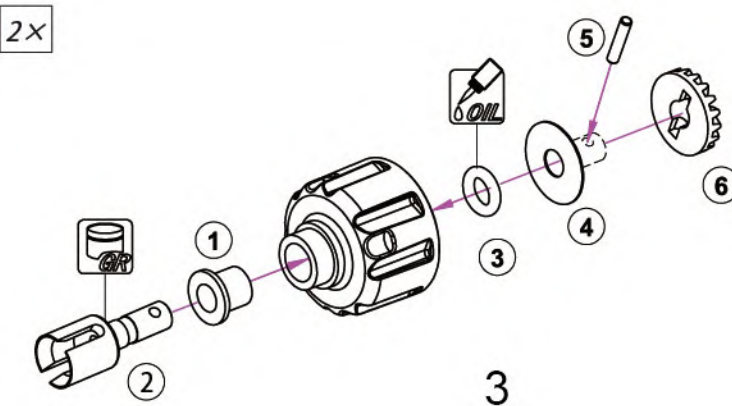
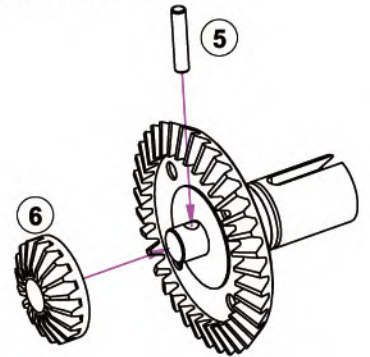


C7003	Diff Bevel Gear Set 差速齿组
C7004	Diff Gasket(4) 差速油封
C7006	Gear Differential Case 差速壳组
C7007	Steel Diff Bevel Gear 35T 差速器大伞齿35T
C7009	Diff Shim 3x9x0.1(10)/5x15x0.3(10) 差速齿垫片
C7010	Diff O-Ring Red 5x2(10) 差速器O圈 5x2
C8014	Gear Diff Outdrive 差速驱动杯

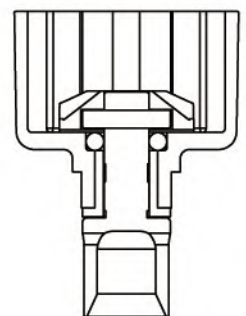
LCSK18	Countersunk Screw M2.5X10mm M2.5x10mm沉头螺丝
LCSK24	2x9.8mm Pins(20) 2x9.8mm滚针
LCSK30	10x15x4mm Bearing(10) 10x15x4mm轴承



STEP ⑤⑥ Detail
第5、6步细节



CUTAWAY VIEW
剖视图

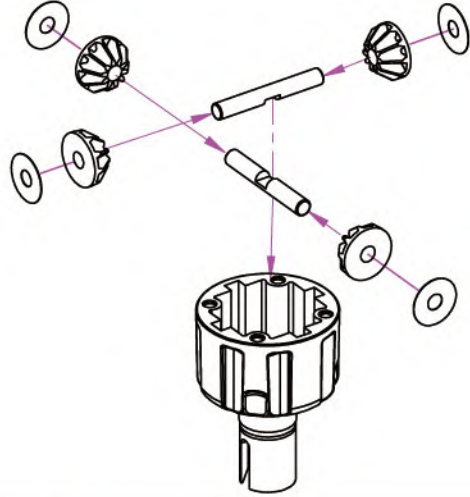




Shim
3×9×0.1

PROPER AMOUNT OF OIL IN THE DIFFS
Remember that during operation the diff gets hotter and the heat may allow the oil to expand. If there is too much oil inside it may interfere with the diff operation and damage the internal gears.
灌注适当的差速油：差速器运作时，差速器内的差速油会产生热量而膨胀，油的体积增大，所以不要加满差速油

2×



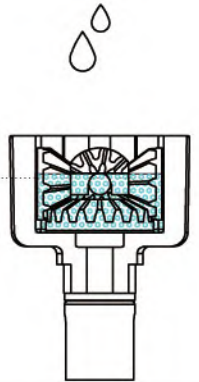
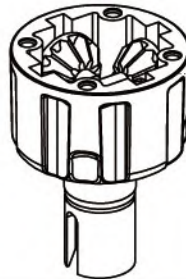
Front diff

Silicone oil 5000-10000Cst
Fill just above the cross-pins
前差速：硅油5000-10000Cst，
填充到正好盖过十字轴



Rear diff

Silicone oil 3000-5000Cst
Fill just above the cross-pins
后差速：硅油3000-5000Cst，
填充到正好盖过十字轴



Fill differential up to the top of the diff cross-pins. DO NOT fill the diff to the top of the housing.
灌注差速油的量，以图示为准

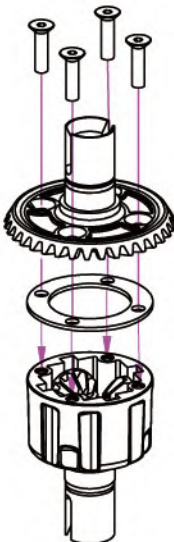


Countersunk Screw
M2.5×10



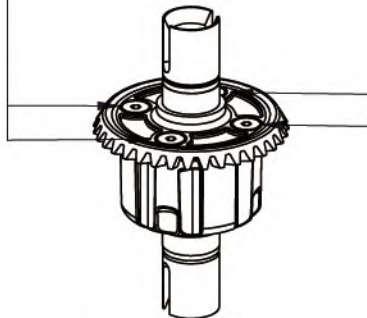
Bearing
10×15×4

2×

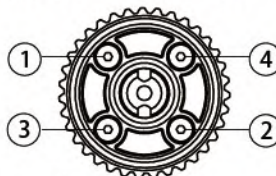


2×

Tighten the screws equally but do NOT tighten them completely.
先用均匀的力道拧紧螺丝，但不要完全拧紧同様

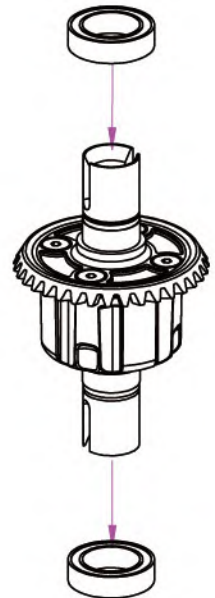


Finish tightening in this order.
然后按以下顺序完全拧紧螺丝



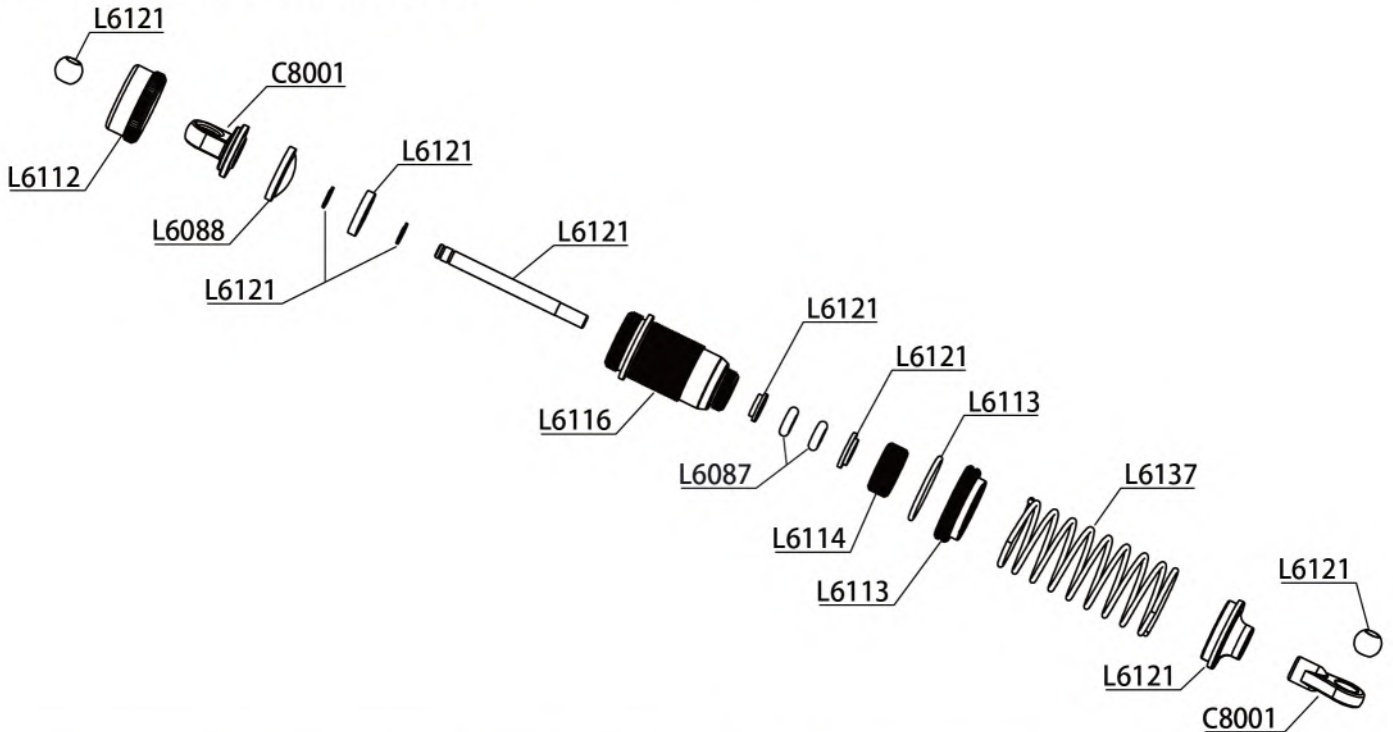
4

2×



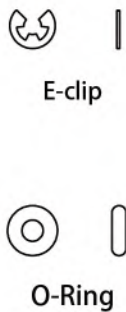
Bag B: FRONT & REAR SHOCK ASSEMBLY

B包：前和后避震器安装

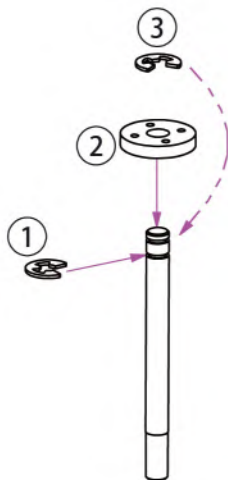


L6022	Front Shock complete Set(2) 前避震组
L6087	Shock O-Ring Red 避震O圈
L6088	Shock Diaphragm(4) 避震囊
L6112	Shock Upper Cap Alu 油压上盖
L6113	Shock Adjustable Nut Alu 油压调节环

L6114	Lower Shock Cap Alu 油压下盖
L6116	Front Shock body (2) 金属前避震桶
L6121	Front Shock Shaft Set(2) 前油压轴组
L6137	Front Shock Spring 1.2mm Φ 1.2前油压弹簧
C8001	Shock Ball Joint Set 避震器塑胶件组

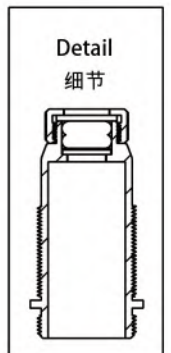
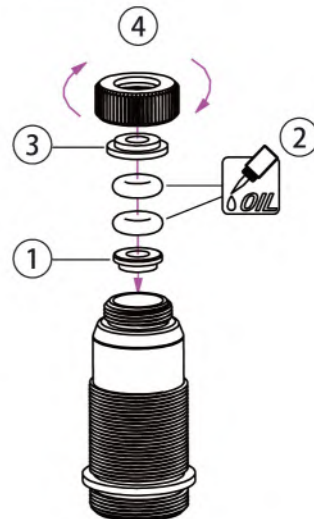


4x



5

4x



4x

The front and rear shock absorbers are the same length
前后避震长度一样

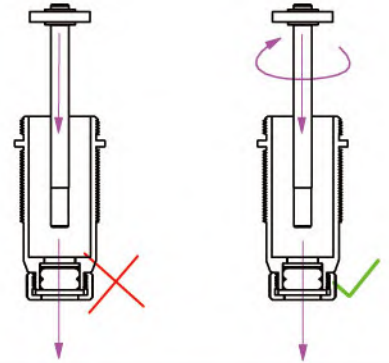


EXTREMELY IMPORTANT

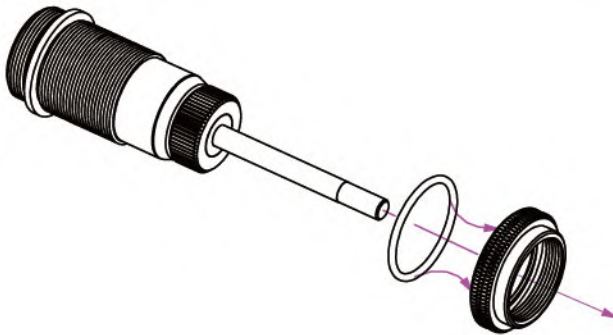
Rotate the shock shaft clockwise through the lower shock body assembly. Do not push the shock shaft straight through the lower shock body assembly! This may damage O-ring. (See below)

特别注意：
避震芯通过避震桶时，必须边顺时针旋转轴芯边通过，不按此方法有可能损坏O圈。如下图所示！

clockwise
顺时针旋转

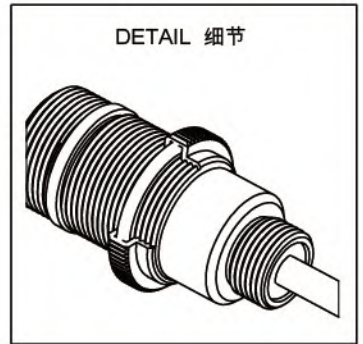


4x

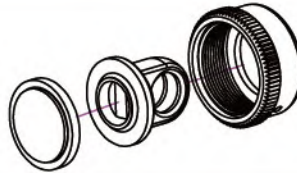


O-Ring
15x3x1mm

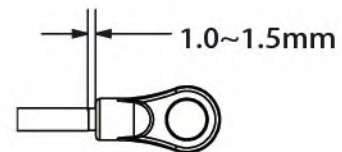
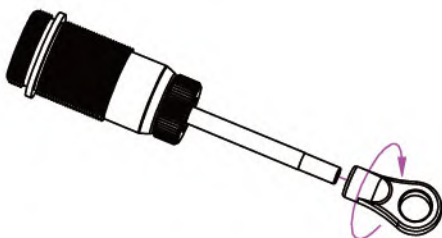
DETAIL 细节



4x



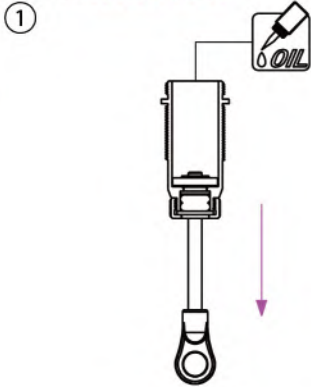
4x



Default Shock Rebound Setting **0% Rebound** 原厂设定避震回弹率0%

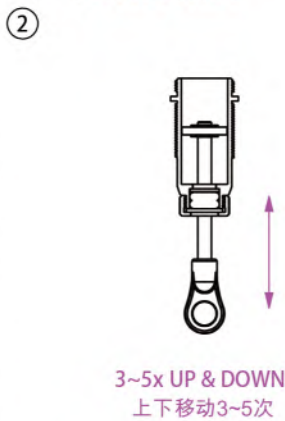
Follow the steps below to set the shock rebound to the default setting of 0% 请按以下步骤设定0%回弹率.

2x FRONT 前避震
Oil 350cst-700cst

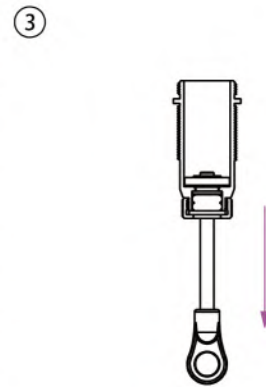


Extend the shock shaft all the way. Fill with shock oil.
将避震行程拉到最大，倒入避震油。

2x REAR 后避震
Oil 350cst-600cst



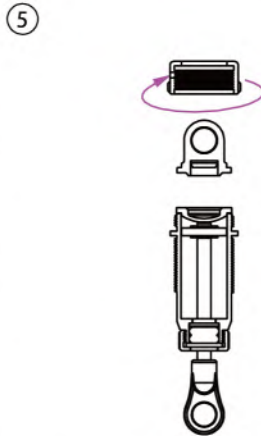
Move the shock shaft up and down a few times to release the air bubbles trapped beneath the piston.
上下拉动避震芯，把活塞下方的气泡释放出来。



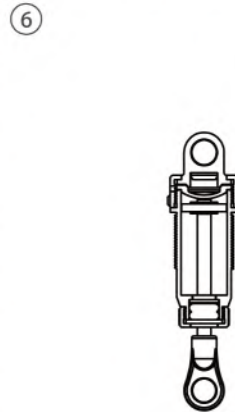
Put the filled shock vertically for several minutes with the shock shaft fully extended in order to release the remaining air bubbles.
把避震芯拉到最长，垂直放置几分钟，直到气泡消失。



With the shock shaft fully retracted, install shock diaphragm onto shock body by slightly pushing it into the shock body allowing excess oil over flow, wipe off excess shock oil with a towel before moving onto the next step.
将避震芯行程推到最上方，然后轻轻地将油压气室盖在避震桶上，用手轻轻按压排出多余避震油。

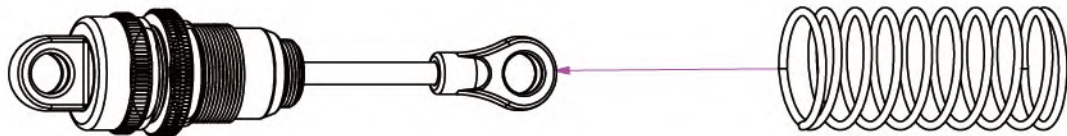


Place the shock ball joint onto shock diaphragm and tighten upper shock cap onto shock body.
轻轻地将避震上波帽放在油压气室上，并缓慢地将油压上盖拧紧。

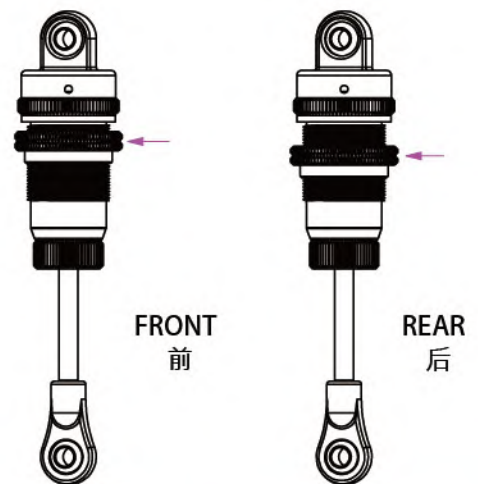
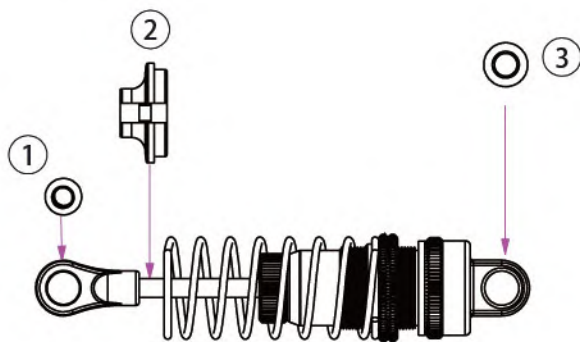


At this point, the shock absorber will have 0% rebound.
此时避震器将会是0%的回弹。

4x



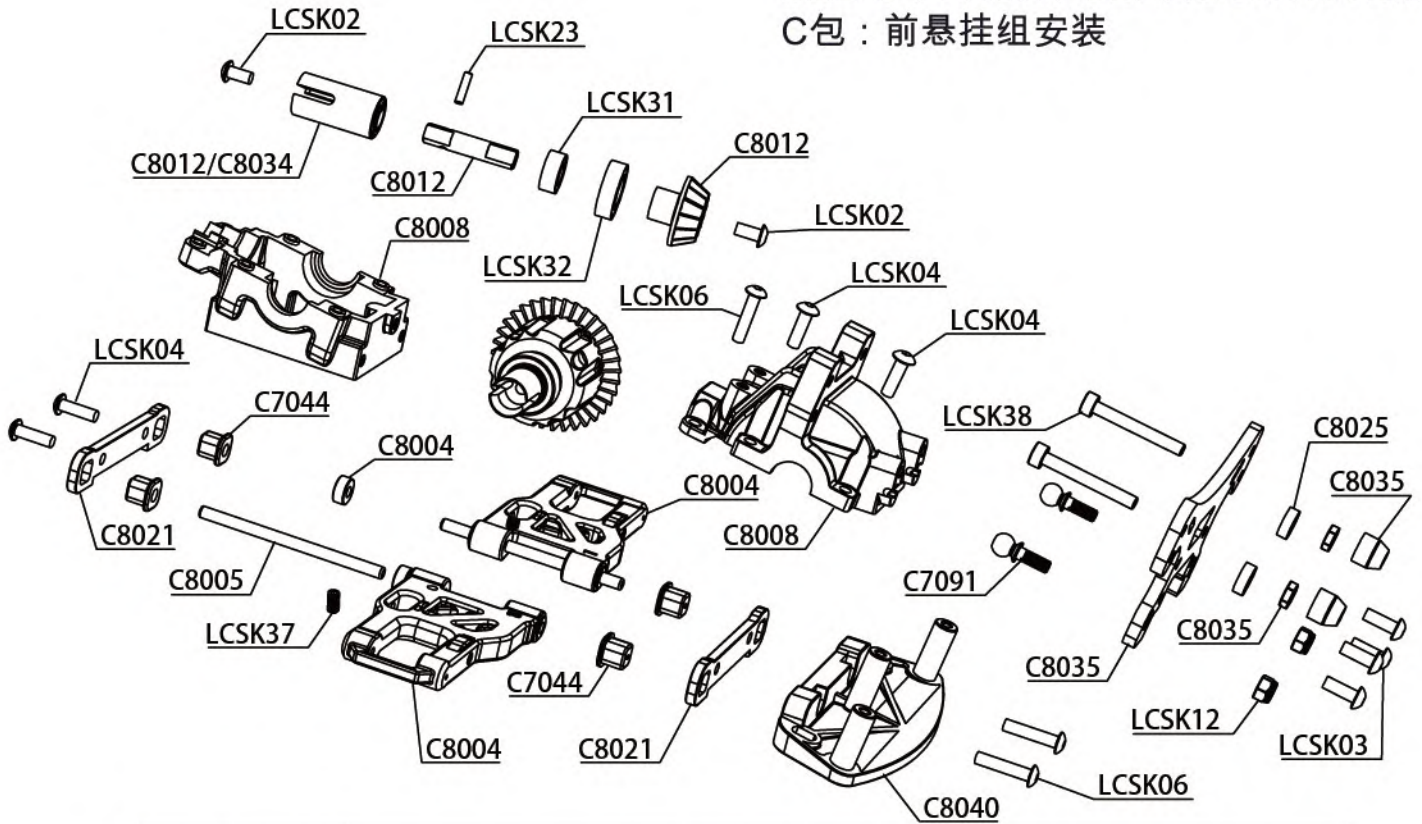
4x



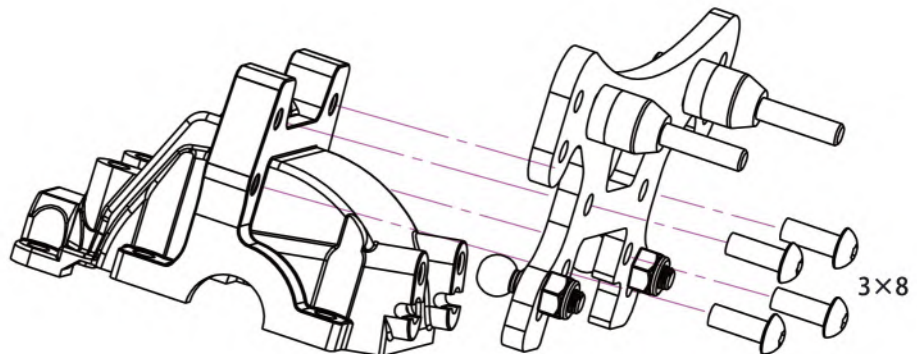
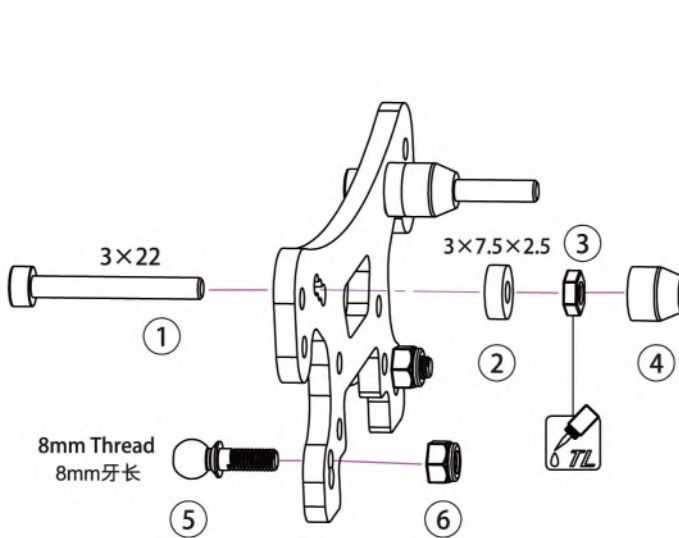
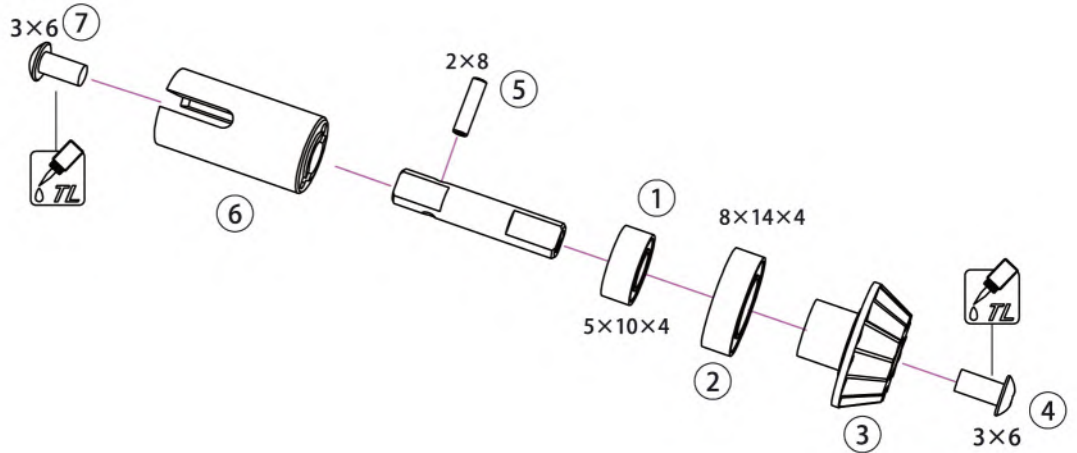
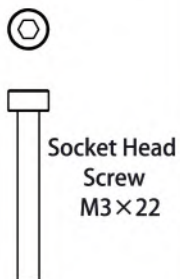
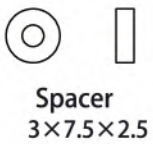
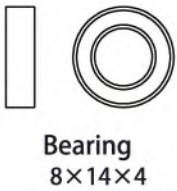
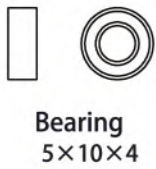
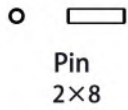
Adjust lower shock ball joint to ensure all four shocks are the same length when fully extended.

Adjust vehicle ride height using the alu shock adjustable nut.
通过调整避震下波帽的螺纹深浅做到四根避震器等长。避震桶身上的调节环用于调校车高。

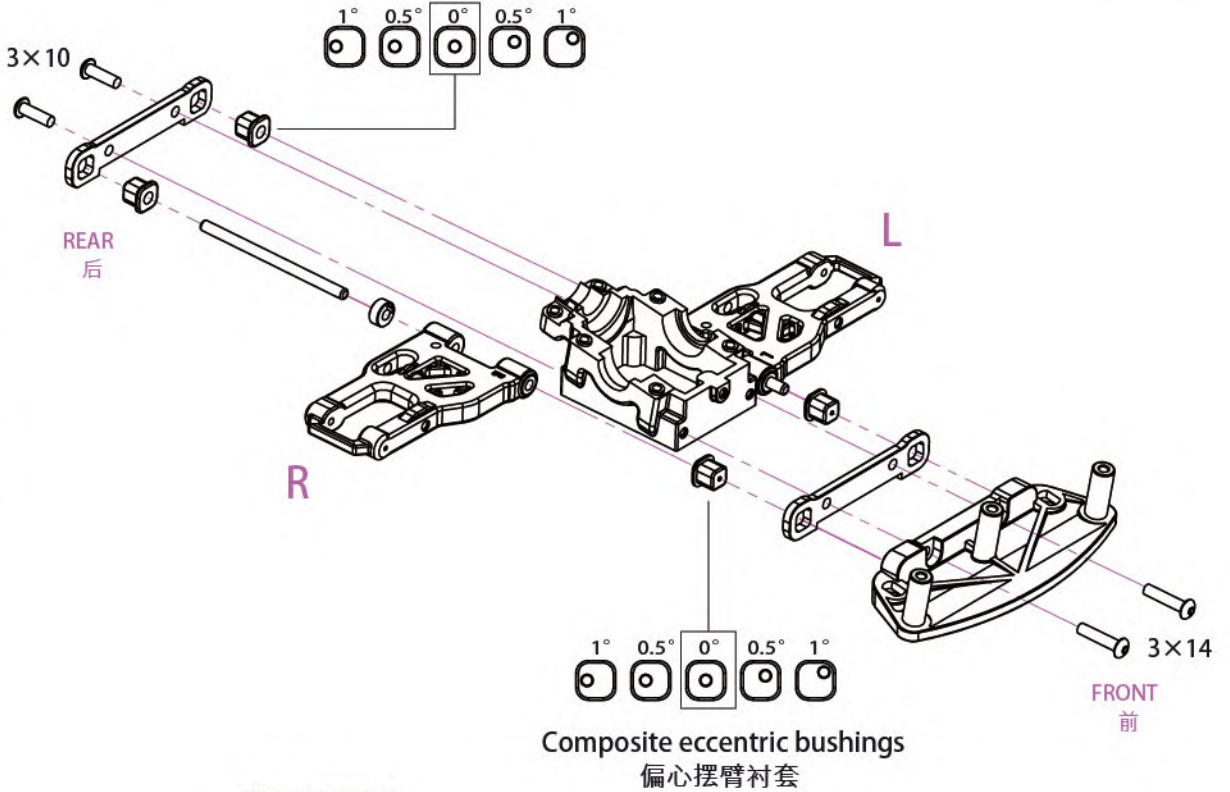
BAG C : FRONT GEAR BOX ASSEMBLY C包：前悬挂组安装



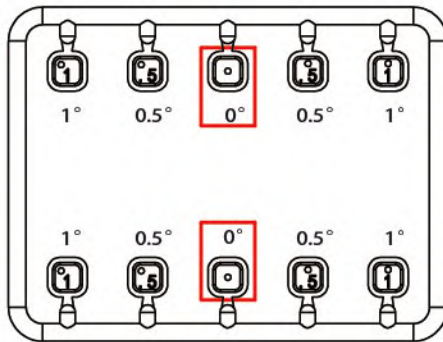
C7044	Arm Mount Inserts Set(4) 摆臂轴套
C7091	Ball Stud 5.5mm With Thread 8mm 5.5球头×8mm
C8004	F+R Suspension Arms Set 前后摆臂
C8005	Hinge Pin Set 摆臂轴组
C8008	F+R Gearbox Set 波箱组
C8012	Steel Bevel Drive Gear with Shaft & Outdrive 伞齿组
C8021	Arm Mount Set Steel 金属投影板组
C8025	Aluminum Spacer 3x6x1(4), 3x6x2(2), 3x7.5x2.5(2) 铝合金垫片
C8034	Metal Outdrive 金属驱动杯
C8035	Front Carbon Fiber Shock Tower 前碳纤维避震板
C8040	Bumper Set (PTG-2R) 防撞组
LCSK02	Round Head Screw M3×6mm(2.0mm Hex Socket/20pcs) M3×6mm 圆头螺丝
LCSK03	Round Head Screw M3X8mm(2.0mm Hex Socket/20pcs) M3×8mm 圆头螺丝
LCSK04	Round Head Screw M3X10mm(2.0mm Hex Socket/20pcs) M3×10mm 圆头螺丝
LCSK06	Round Head Screw M3X14mm(2.0mm Hex Socket/20pcs) M3×14mm 圆头螺丝
LCSK23	2×8mm Pins(20) 2×8mm滚针
LCSK31	5×10×4mm Bearing(10) 5×10×4mm轴承
LCSK32	8×14×4mm Bearing(10) 8×14×4mm轴承
LCSK37	Set screw M3×6mm(1.5mm Hex Socket/20pcs) M3×6mm机米螺丝
LCSK38	Socket Head Screw M3×22mm (2.5mm Hex Socket/10pcs) M3×22mm杯头螺丝



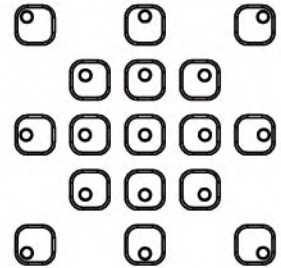
-  
Spacer
3×7×3
-  
Round Head Screw
M3×10
-  
Round Head Screw
M3×14



INITIAL SETTING
初始设置



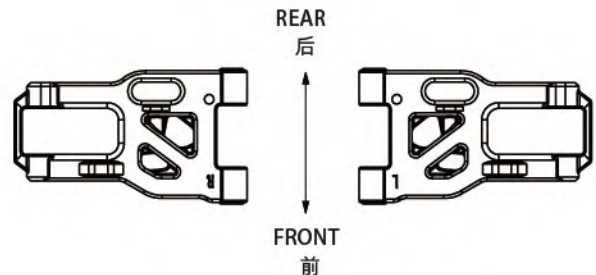
All possible mounting alternatives
of eccentric bushings
(多种摆臂衬套选择)




If the suspension arm does not move freely use an Arm Reamer to size the holes of the arms
如果悬挂摆臂上下动作不顺畅,可用3mm校刀将摆臂插销孔扩大



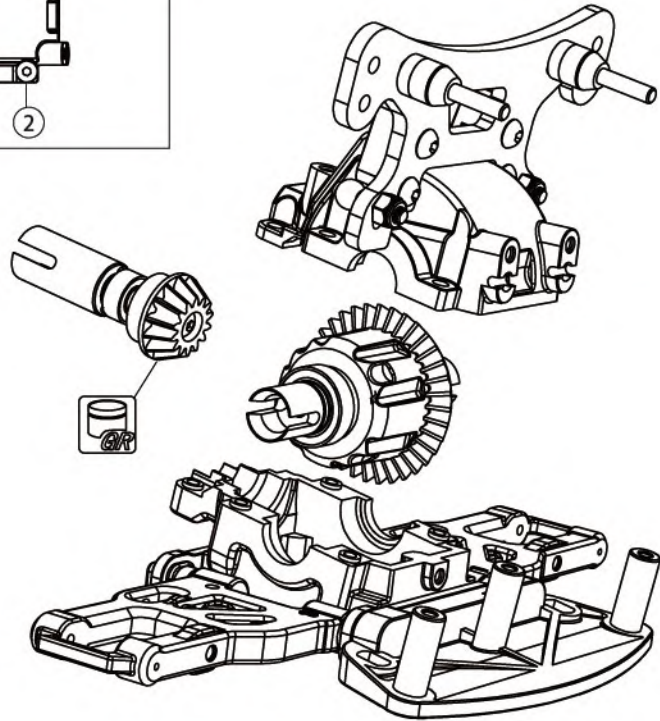
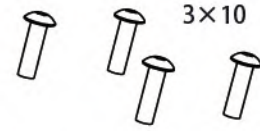
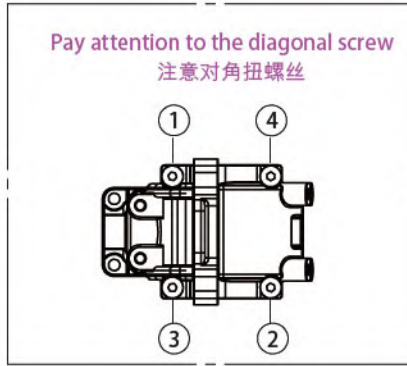
Arm Reamer 3.0mm
3mm校刀



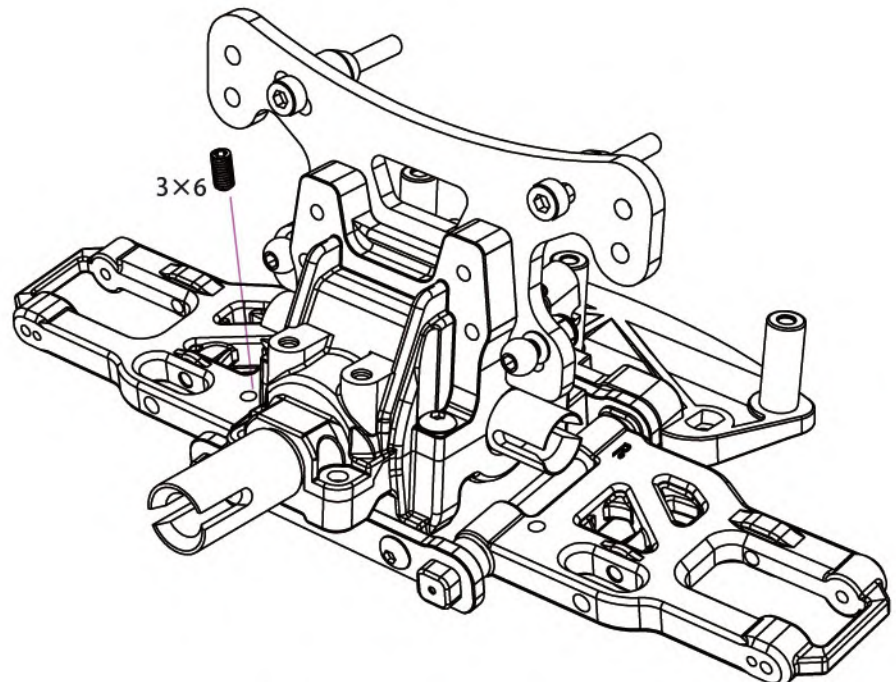


Round Head Screw
M3×10

Pay attention to the diagonal screw
注意对角扭螺丝

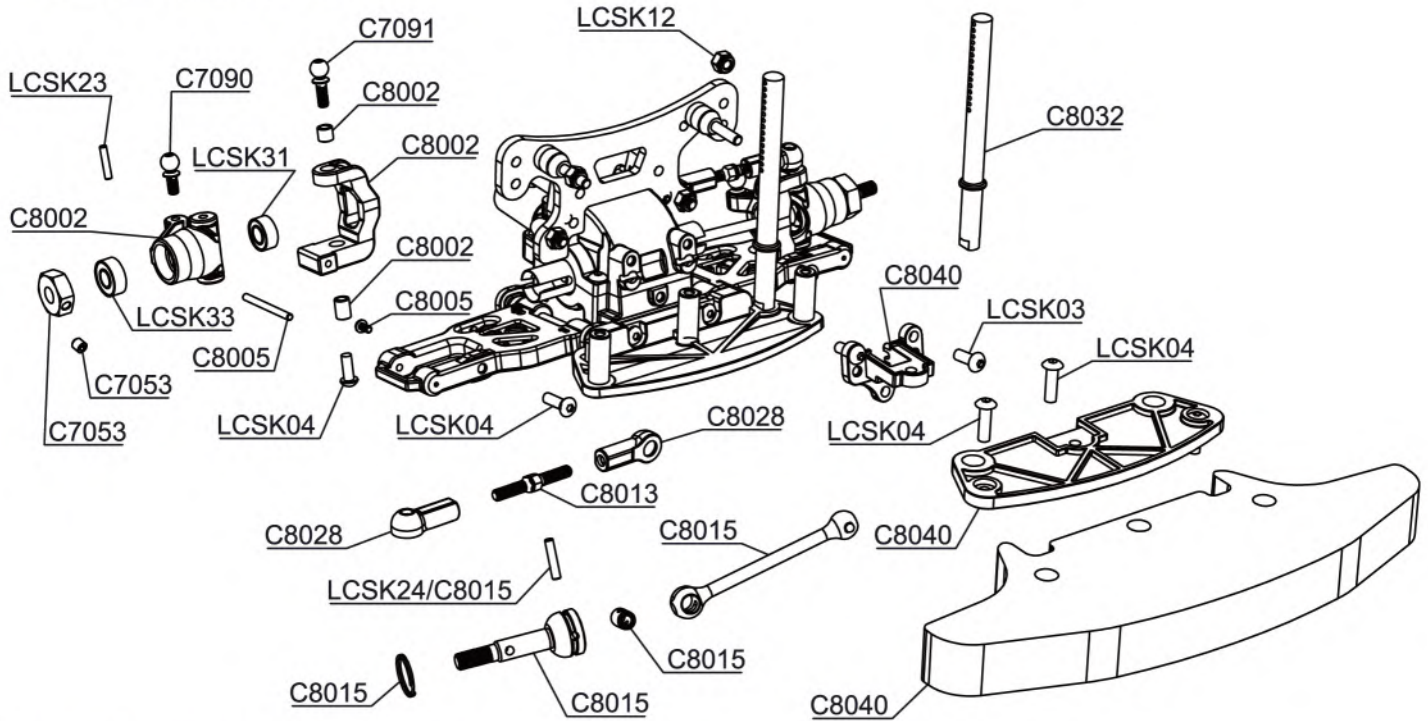



Set Screw
M3×6



BAG C : STEERING BLOCK ASSEMBLY

C包 : 转向组安装

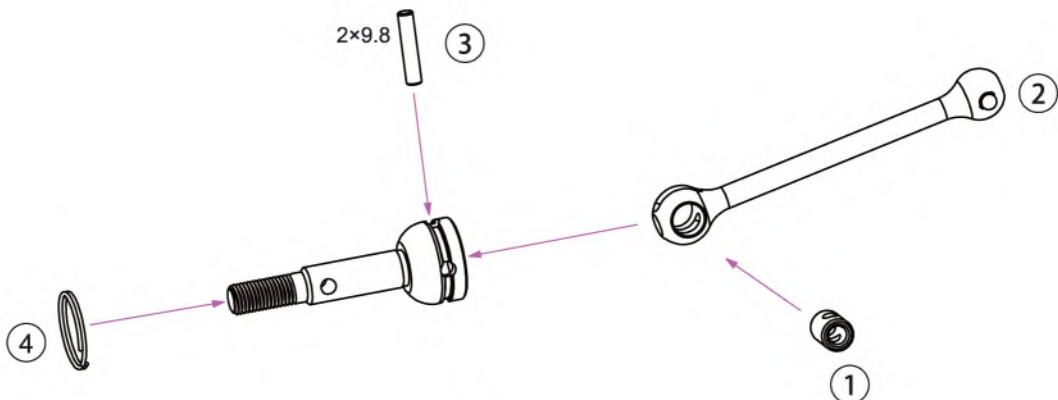


C7053	Wheel Hub Hex 12mm Alu(4) 12mm铝合金结合器
C7090	Ball Stud 5.5mm With Thread 6mm 5.5球头×6mm
C7091	Ball Stud 5.5mm With Thread 8mm 5.5球头×8mm
C8002	Steering Block,C-Hub&Upright Set 轮座组
C8005	Hinge Pin Set 摆臂轴组
C8013	Steel Turnbuckle Set 连杆组
C8015	Front&Rear Drive Shaft Set 前传动轴
C8028	5.5mm Ball Cup + Body Post 波帽组
C8032	Body Post Set 车壳柱组
C8040	Bumper Set (PTG-2R) 防撞组

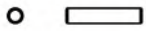
LCSK03	Round Head Screw M3×8mm(2.0mm Hex Socket/20pcs) M3×8mm 圆头螺丝
LCSK04	Round Head Screw M3×10mm(2.0mm Hex Socket/20pcs) M3×10mm 圆头螺丝
LCSK12	Lock Nut M3(5.5mm nut driver/20pcs) M3防松螺母
LCSK23	2×8mm Pins(20) 2×8mm滚针
LCSK24	2×9.8mm Pins(20) 2×9.8mm滚针
LCSK31	5×10×4mm Bearing(10) 5×10×4mm轴承
LCSK33	5×11×4mm Bearing(10) 5×11×4mm轴承

○  Pin
2×9.8

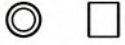
2×



13



Pin
2x9.8



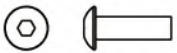
Bushing
3x4.4x4.3



Bearing
5x10x4



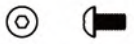
Bearing
5x11x4



Round Head Screw
M3x10

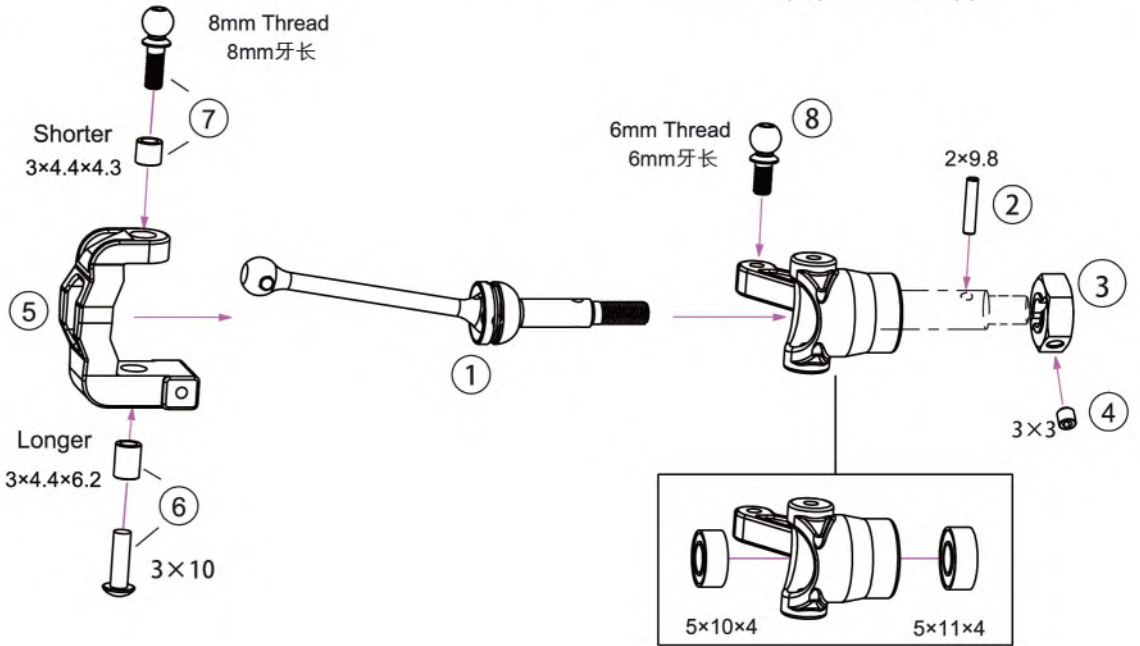


Bushing
3x4.4x6.2



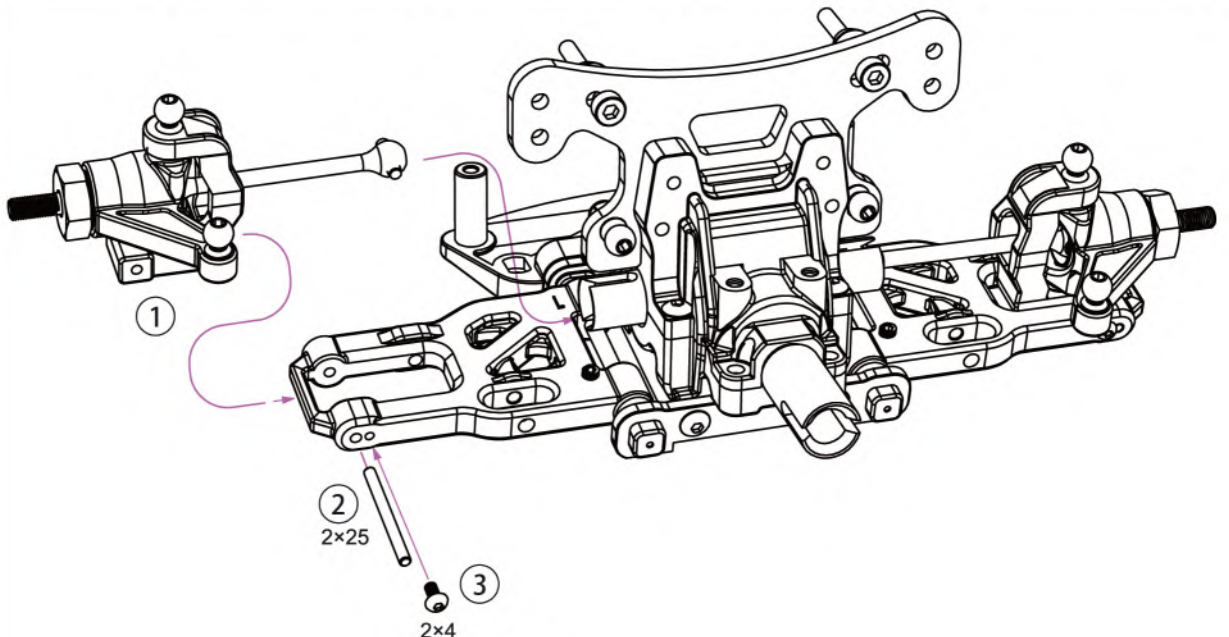
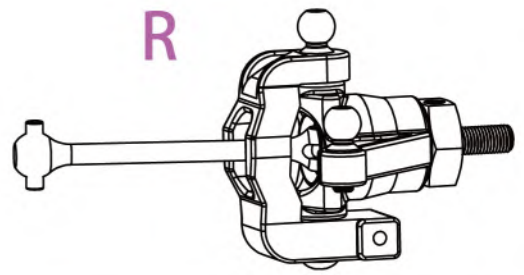
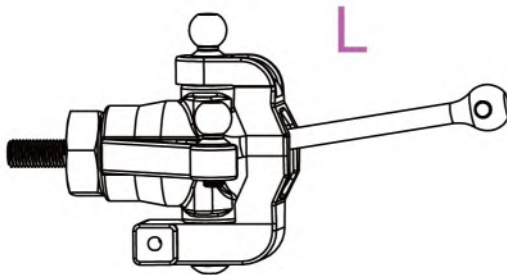
Round Head Screw
M2x4

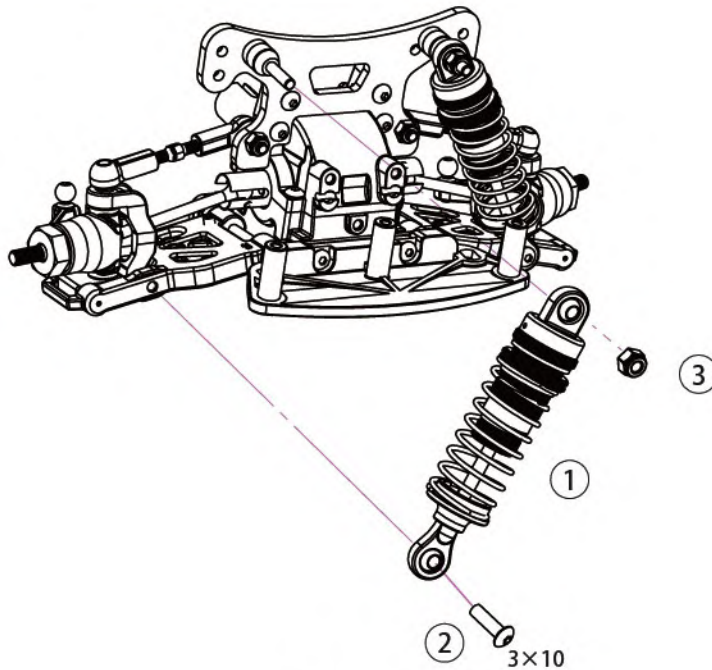
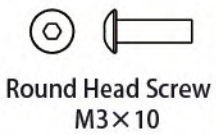
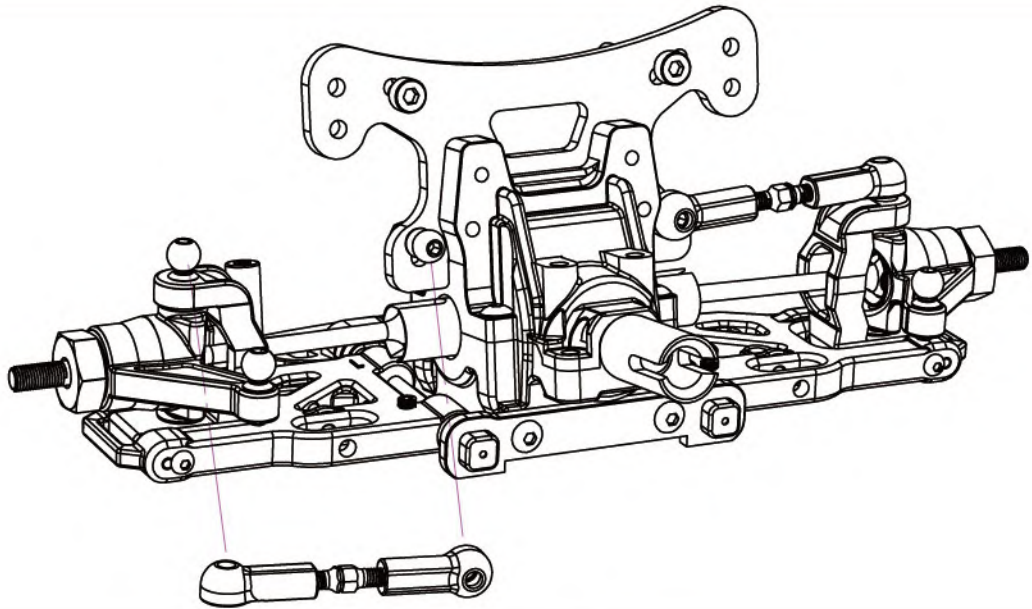
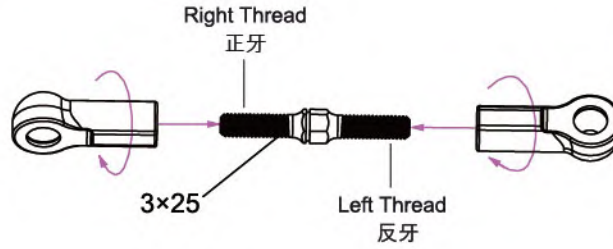
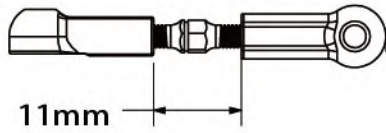
2x

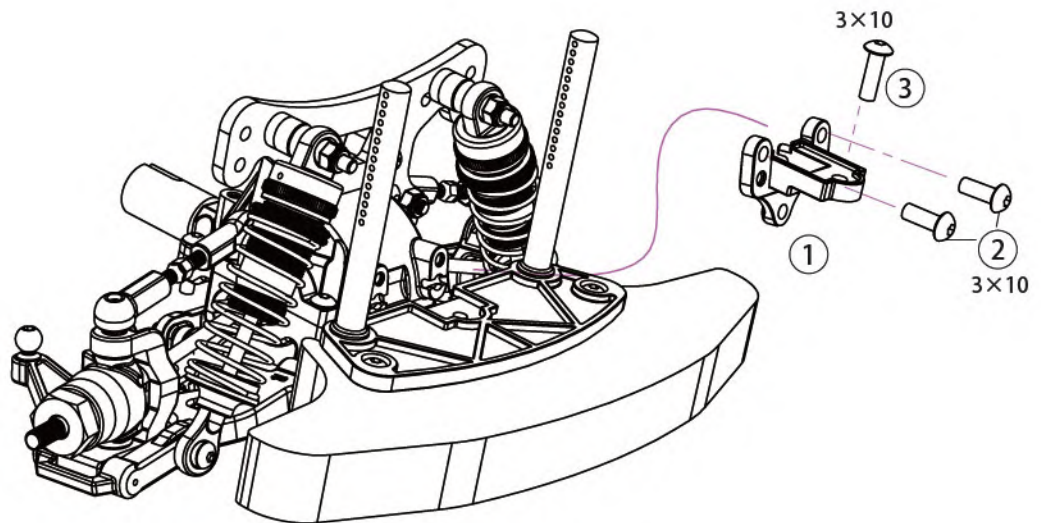
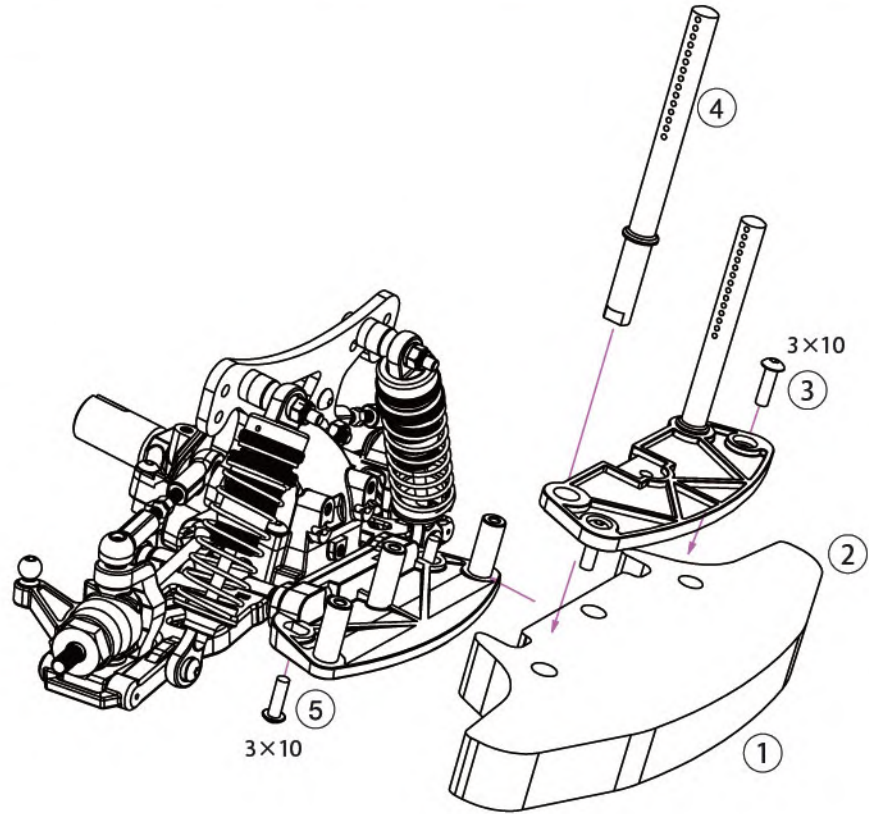



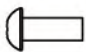
Pay attention to the left and right assembly!


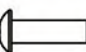
注意组装需区分左右!





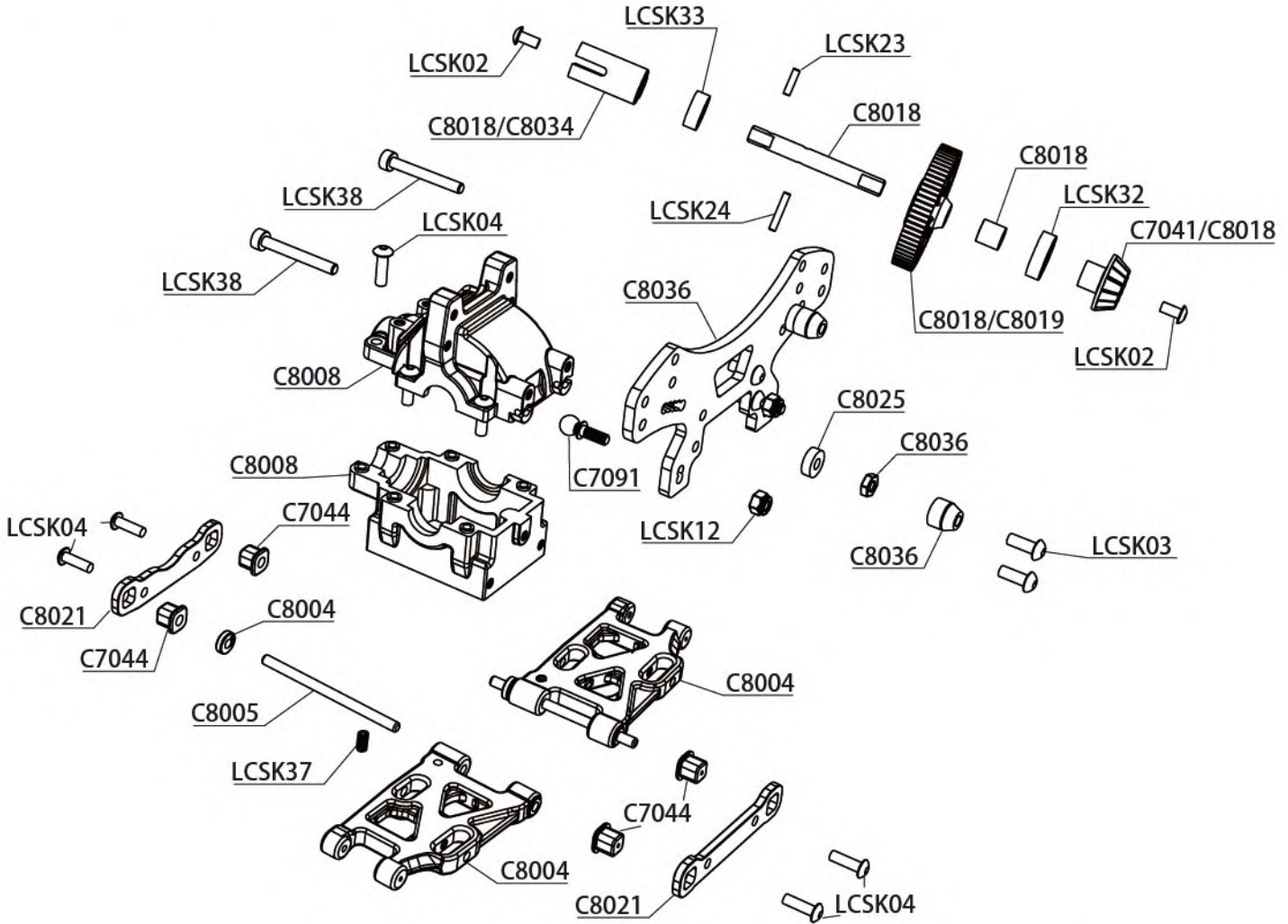


 
Round Head Screw
M3×8

 
Round Head Screw
M3×10

BAG D : REAR GEAR BOX ASSEMBLY

D包：后波箱组安装






C7041	Steel Bevel Drive Gear 14T 14T金属伞齿
C7044	Arm Mount Inserts Set(4) 摆臂轴套(4)
C7091	Ball Stud 5.5mm With Thread 8mm 5.5球头×8mm
C8004	F+R Suspension Arms Set 前后摆臂
C8005	Hinge Pin Set (PTG-2) PTG-2摆臂轴组
C8008	F+R Gearbox Set 波箱组
C8018	Steel Bevel Drive Gear with Spur Gear, Shaft & Outdrive传动组
C8019	Spur Gear 48p 70T 塑胶版70T/48P大齿
C8021	Arm Mount Set Steel 金属投影板组
C8025	Aluminum Spacer 3x6x1(4), 3x6x2(2), 3x7.5x2.5(2) 铝合金垫片
C8036	Rear Carbon Fiber Shock Tower 后碳纤维避震板



LCSK02	Round Head Screw M3×6mm 圆头螺丝M3×6mm
LCSK03	Round Head Screw M3×8mm 圆头螺丝M3×8mm
LCSK04	Round Head Screw M3×10mm 圆头螺丝M3×10mm
LCSK12	Lock Nut M3(5.5mm nut driver/20pcs) M3防松螺母
LCSK23	2×8mm Pins(20) 2×8mm滚针
LCSK24	2×9.8mm Pins(20) 2×9.8mm滚针
LCSK32	8×14×4mm Bearing(10) 8×14×4mm轴承
LCSK33	5×11×4mm Bearing(10) 5×11×4mm轴承
LCSK37	Set screw M3×6mm(1.5mm Hex Socket/20pcs) M3×6mm机米螺丝
LCSK38	Socket Head Screw M3×22mm 杯头螺丝M3×22mm

 
Round Head Screw
M3×6



 
Pin
2×8

 
Pin
2×9.8

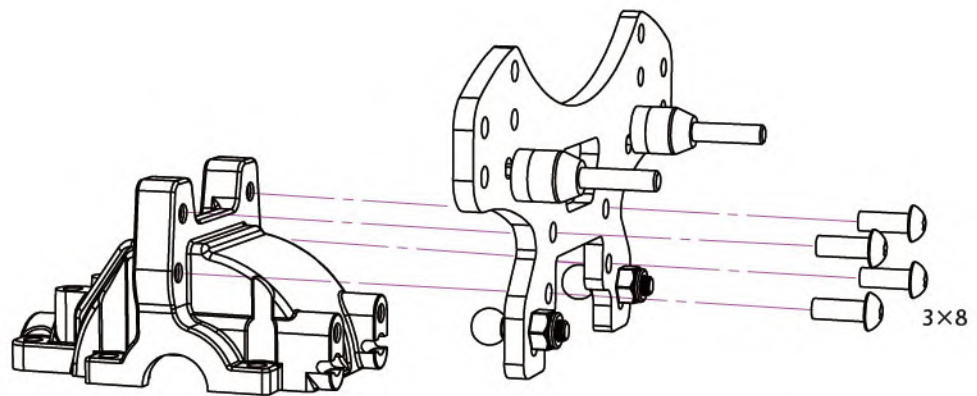
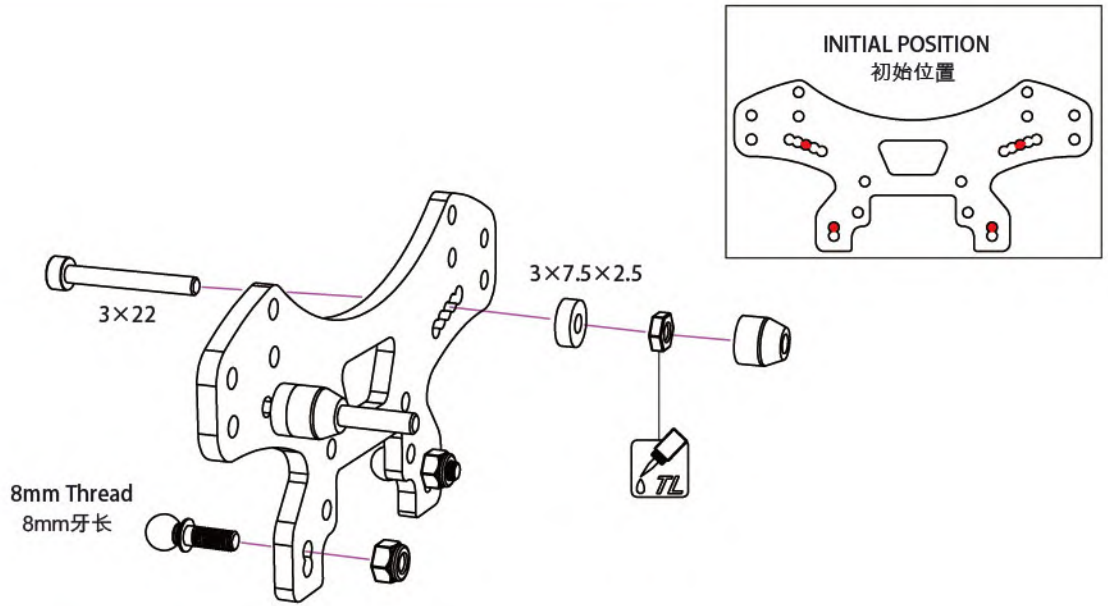
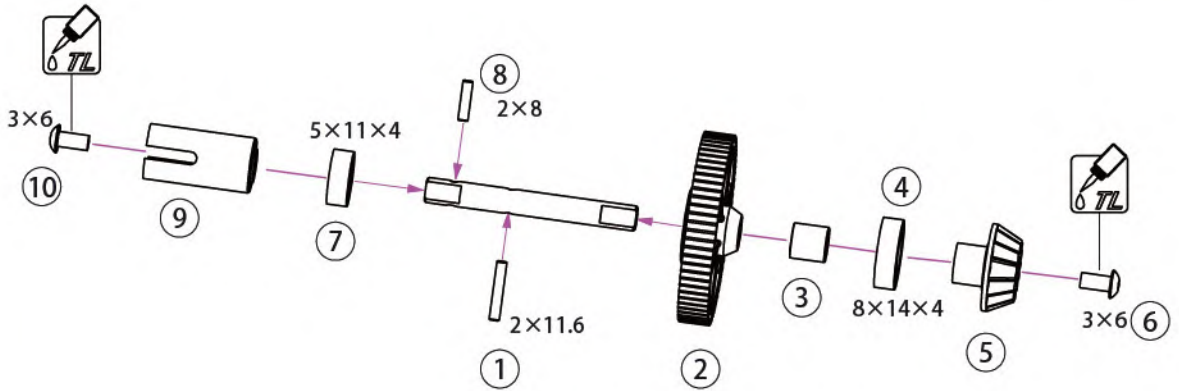
 
Round Head Screw
M3×8

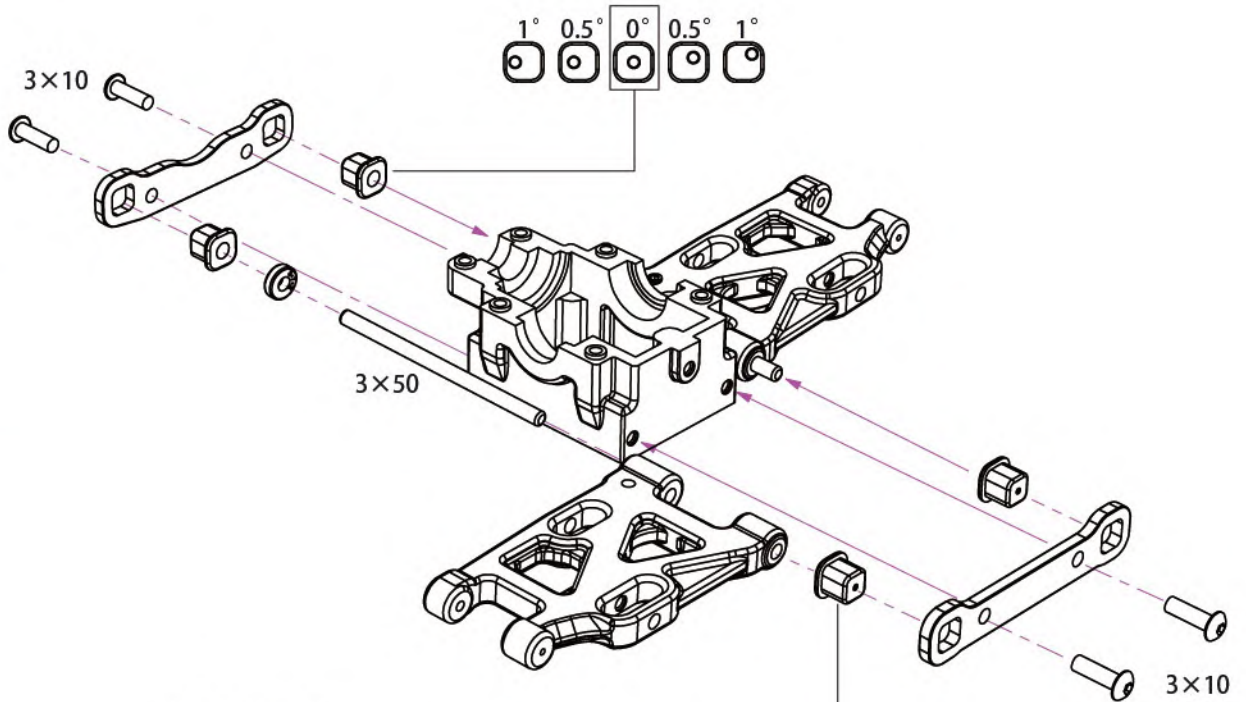
 
Bearing
5×11×4

 
Bearing
8×14×4

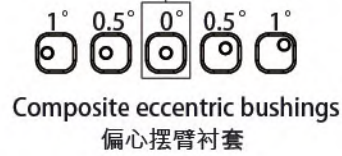
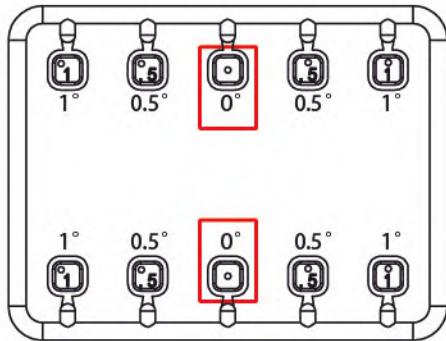
 
Spacer
3×7.5×2.5

 
Lock Nut
M3

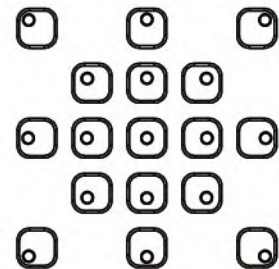




INITIAL SETTING
初始设置



All possible mounting alternatives
of eccentric bushings
多种摆臂衬套选择

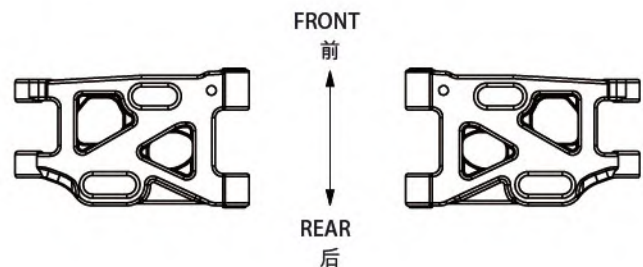


If the suspension arm does not move freely use a Arm Reamer to size the holes of the arms

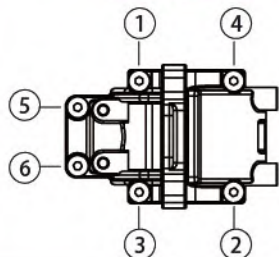
如果悬挂摆臂上下动作不顺畅, 可用 3mm 铰刀将摆臂插销孔扩大



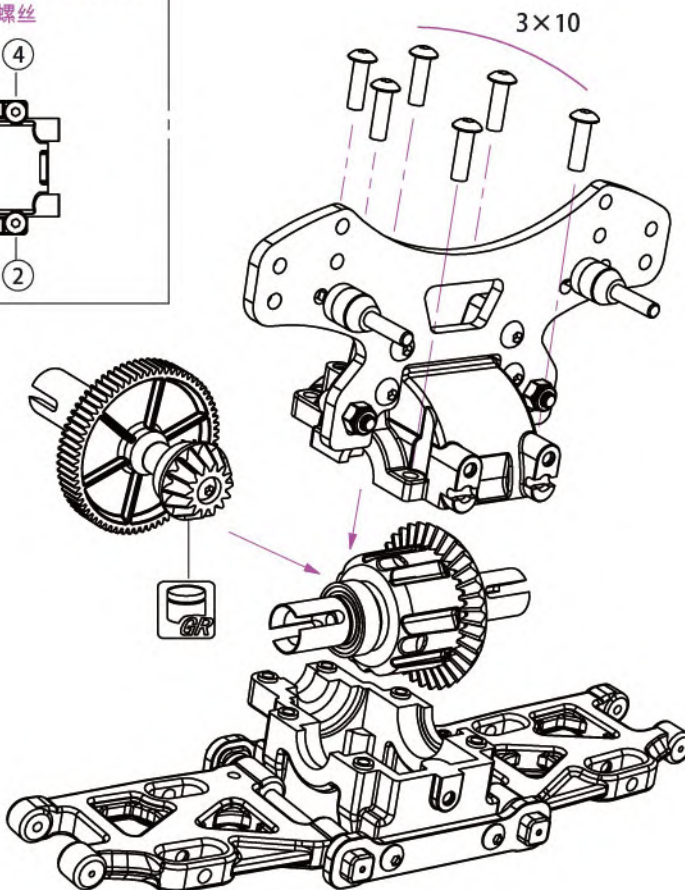
Arm Reamer 3.0mm
3mm 铰刀



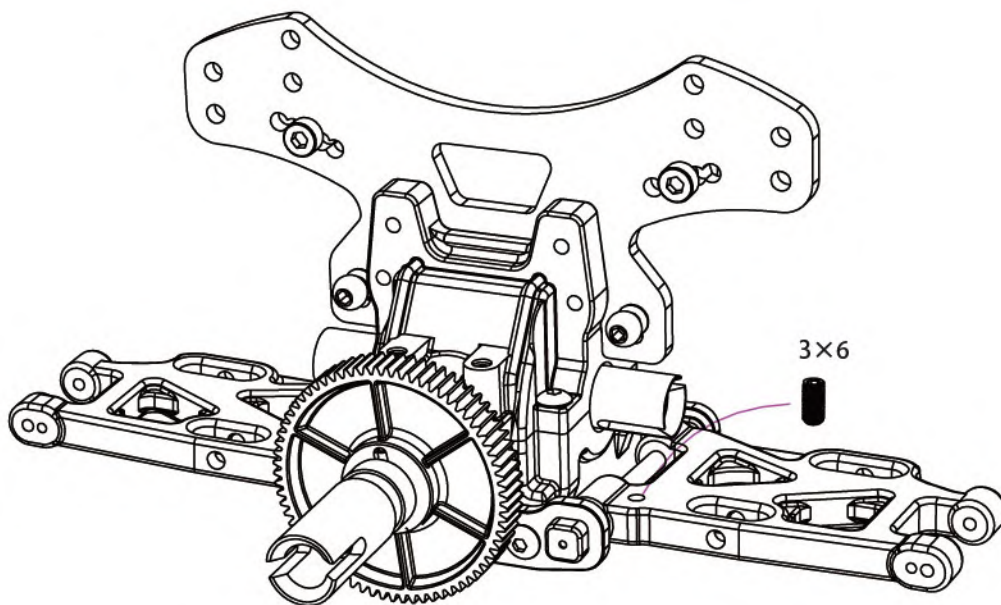
Pay attention to the diagonal screw
注意对角扭螺丝



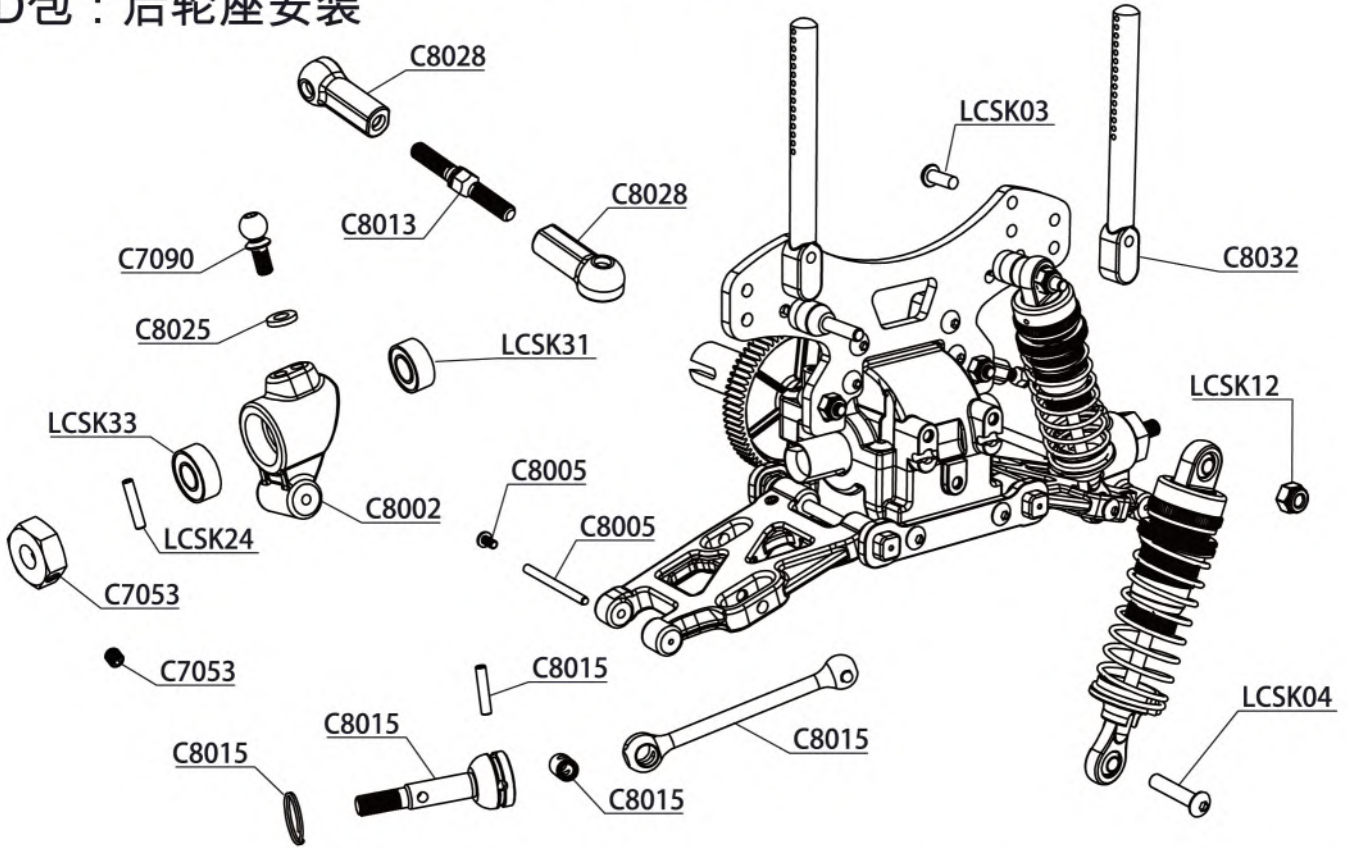
 
Round Head Screw
M3×10



 
Set Screw
M3×6



BAG D : REAR HUB ASSEMBLY D包：后轮座安装

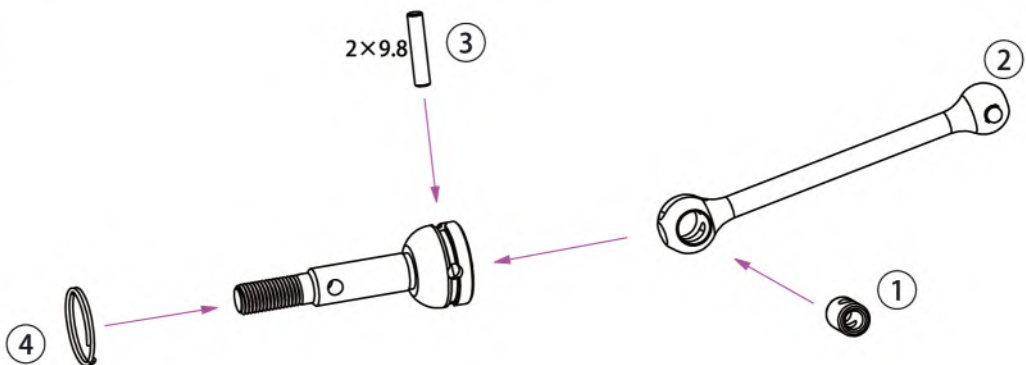




C7053	Wheel Hub Hex 12mm Alu(4) 12mm铝合金结合器
C7090	Ball Stud 5.5mm With Thread 6mm 5.5球头×6mm
C8002	Steering Block,C-Hub&Upright Set 轮座组
C8005	Hinge Pin Set 摆臂轴组
C8013	Steel Turnbuckle Set 连杆组
C8015	Front&Rear Drive Shaft Set 前传动轴
C8025	Aluminum Spacer 3x6x1(4), 3x6x2(2), 3x7.5x2.5(2) 铝合金垫片



C8028	5.5mm Ball Cup + Body Post 5.5波帽组
C8032	Body Post Set 车壳柱组
LCSK03	Round Head Screw M3×8mm M3×8mm 圆头螺丝
LCSK04	Round Head Screw M3×10mm(2.0mm Hex Socket/20pcs) M3×10mm 圆头螺丝
LCSK12	Lock Nut M3(5.5mm nut driver/20pcs) M3防松螺母
LCSK24	2×9.8mm Pins(20) 2×9.8mm滚针
LCSK31	5×10×4mm Bearing(10) 5×10×4mm轴承
LCSK33	5×11×4mm Bearing(10) 5×11×4mm轴承



○ — Pin
2×9.8

2X



 
Pin
2×9.8

 
Bearing
5×10×4

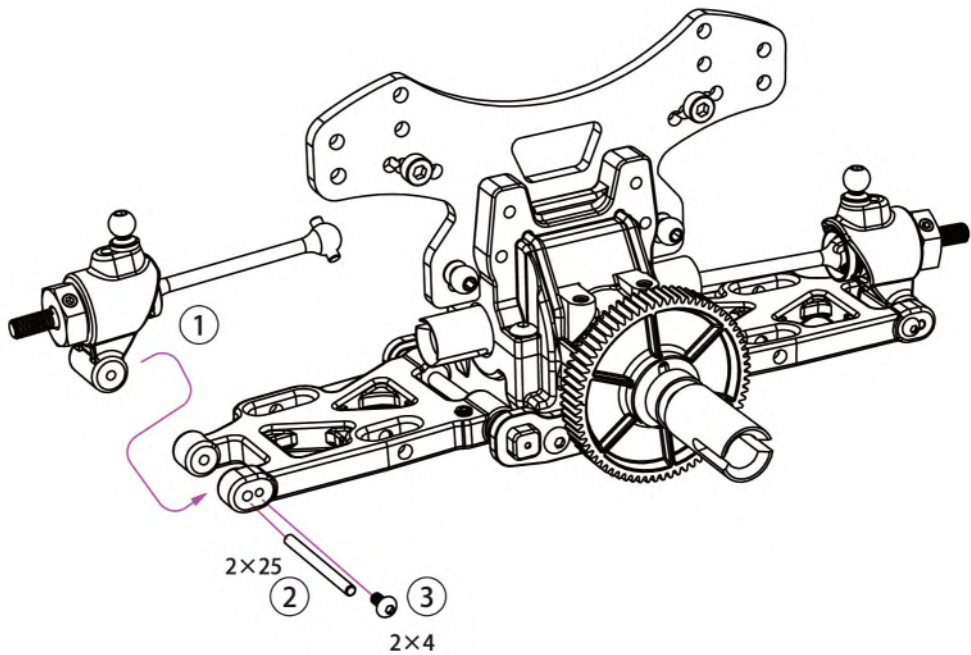
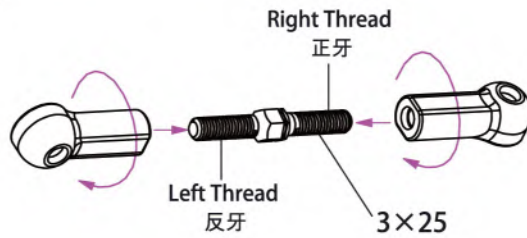
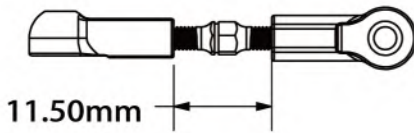
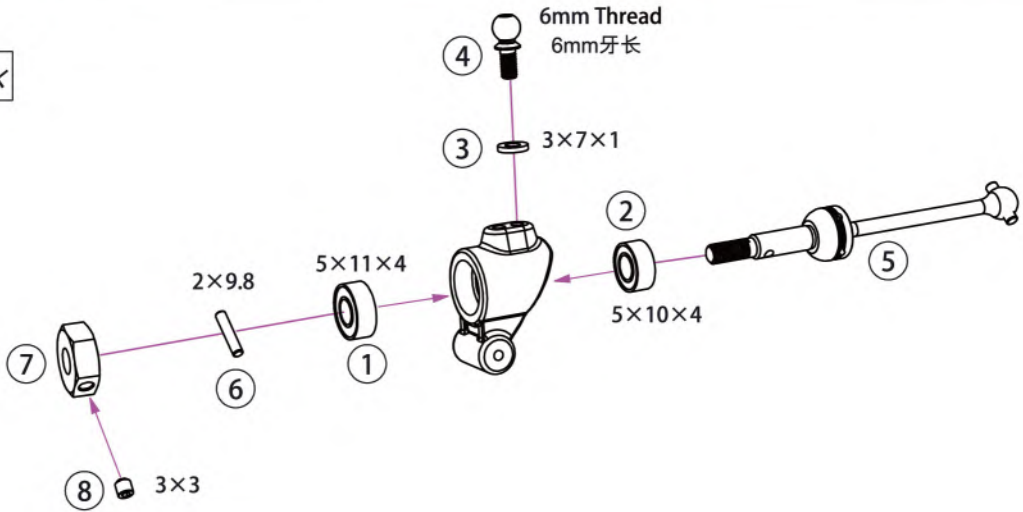
 
Bearing
5×11×4

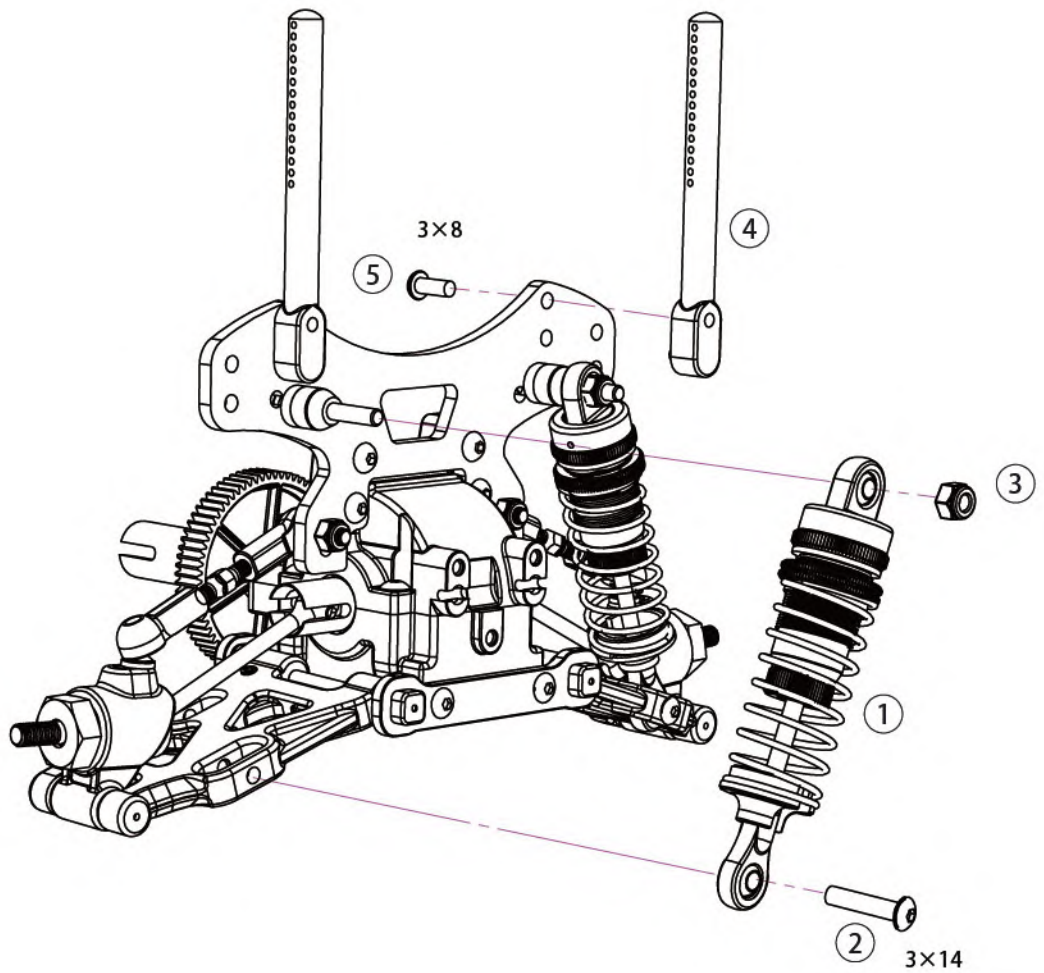
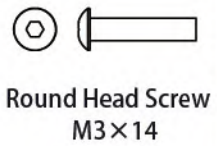
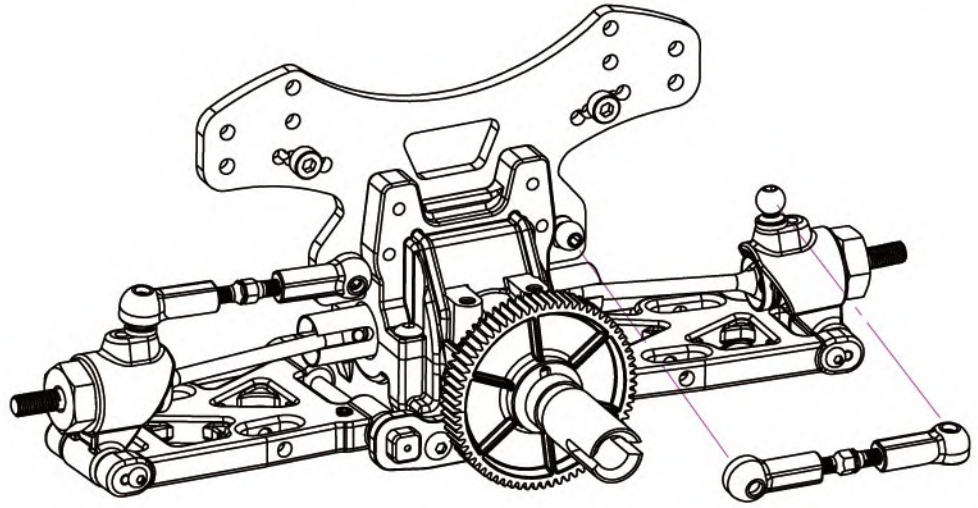
 
Spacer
3×7×1

 
Set Screw
M3×3

 
Round Head
Screw
M2×4

2×







BAG F : STEERING ASSEMBLY

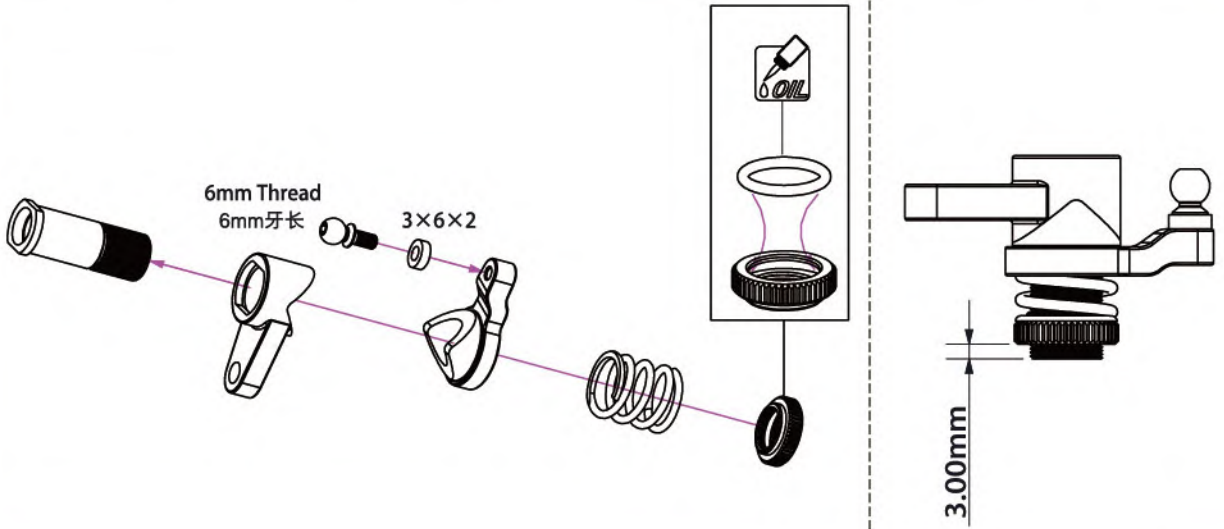
F包：转向组安装


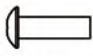
Steering Servo
(NOT INCLUDED)
转向舵机 (本产品不包含)

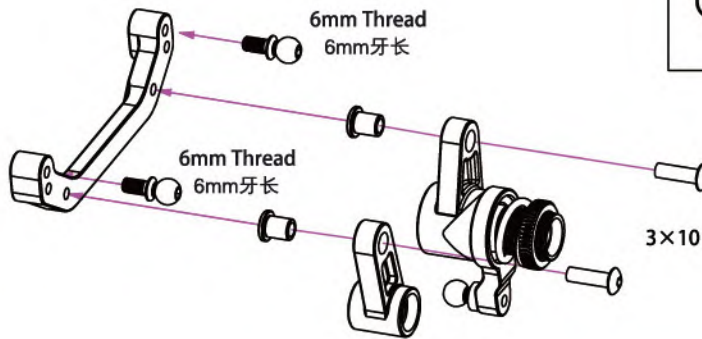
C7052	Steel Bushing-Short(4) 杯士-短
C7056	5.5mm Ball Cap Set(14) 5.5波帽
C7069	Servo Saver,Steering Plate,Servo Arm,Servo Mount Center Bulkhead cover(10) 舵机保护, 转向板, 舵机臂, 舵机座, 中差轴承压块
C7070	Servo Saver Spring&Adjustable Nut 舵机保护弹簧&压环
C7072	Steering Post(2) 转向柱
C7073	Steel Turnbuckle M3x42mm(1) 金属连杆M3x42mm
C7074	Servo Saver Pipe 舵机保护调节柱
C7079	Floating Servo Mount 悬浮舵机座
C7090	Ball Stud 5.5mm With Thread 6mm ϕ 5.5球头×6mm
C8013	Steel Turnbuckle Set 连杆组
C8025	Aluminum Spacer 3x6x1(4), 3x6x2(2), 3x7.5x2.5(2) 铝合金垫片
C8028	5.5mm Ball Cup + Body Post 5.5波帽组
LCKSK02	Round Head Screw M3X6mm M3×6mm 圆头螺丝
LCKSK03	Round Head Screw M3X8mm M3×8mm 圆头螺丝
LCKSK04	Round Head Screw M3X10mm M3×10mm 圆头螺丝
LCKSK08	Countersunk Screw M3×8mm(2.0mm Hex Socket/20pcs) M3×8mm 沉头螺丝
LCKSK26	3×7×0.5mm Stainless Steel Shim(20) 3×7×0.5mm不锈钢垫片
LCKSK34	5×8×2.5mm Bearing(10) 5×8×2.5mm轴承

 
Spacer
 3×6×2

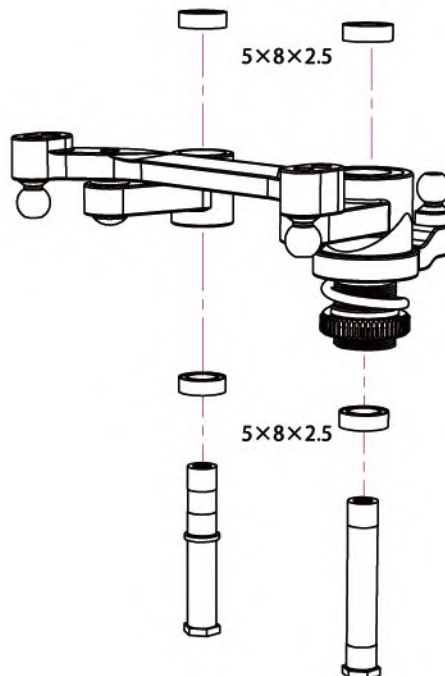
 
O-ring



 
Round Head Screw
 M3.0×10

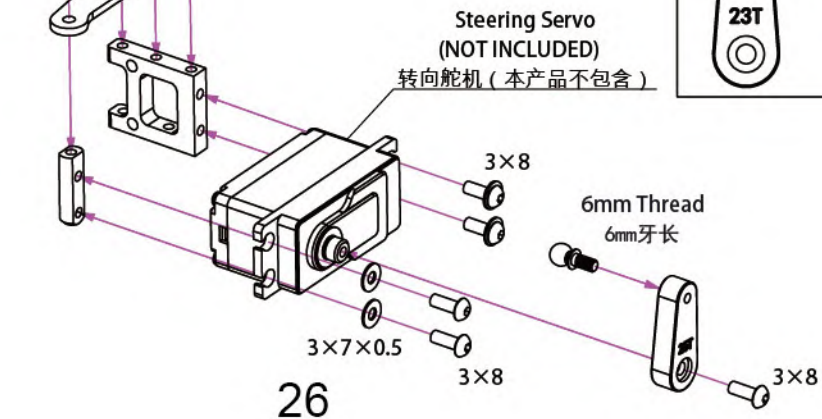
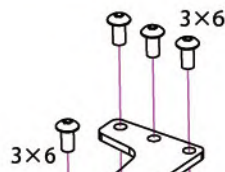
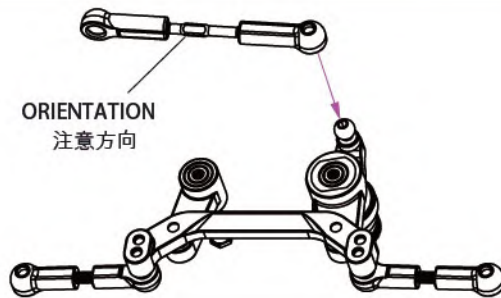
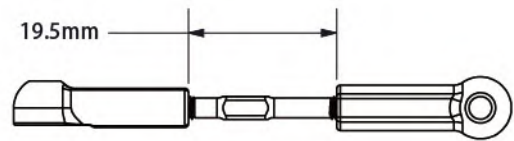
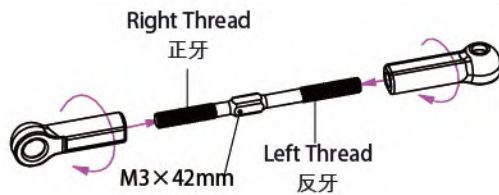
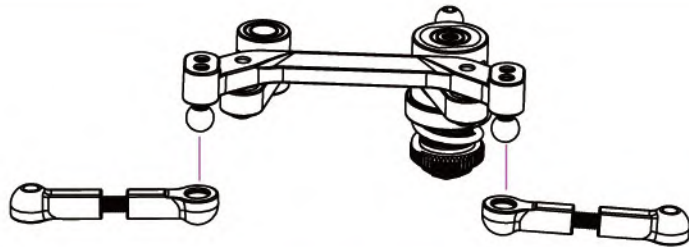
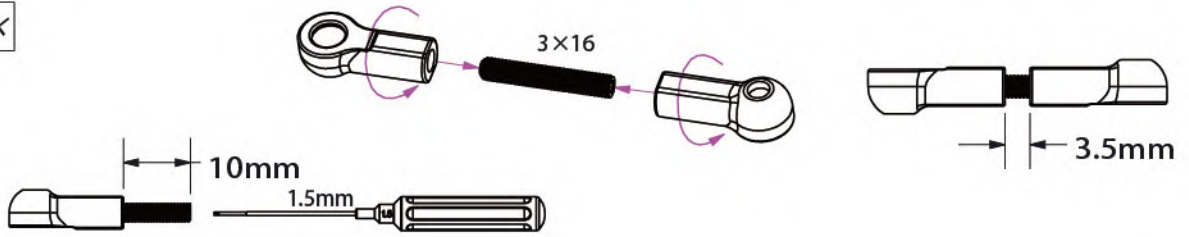


 
Bearing
 5×8×2.5



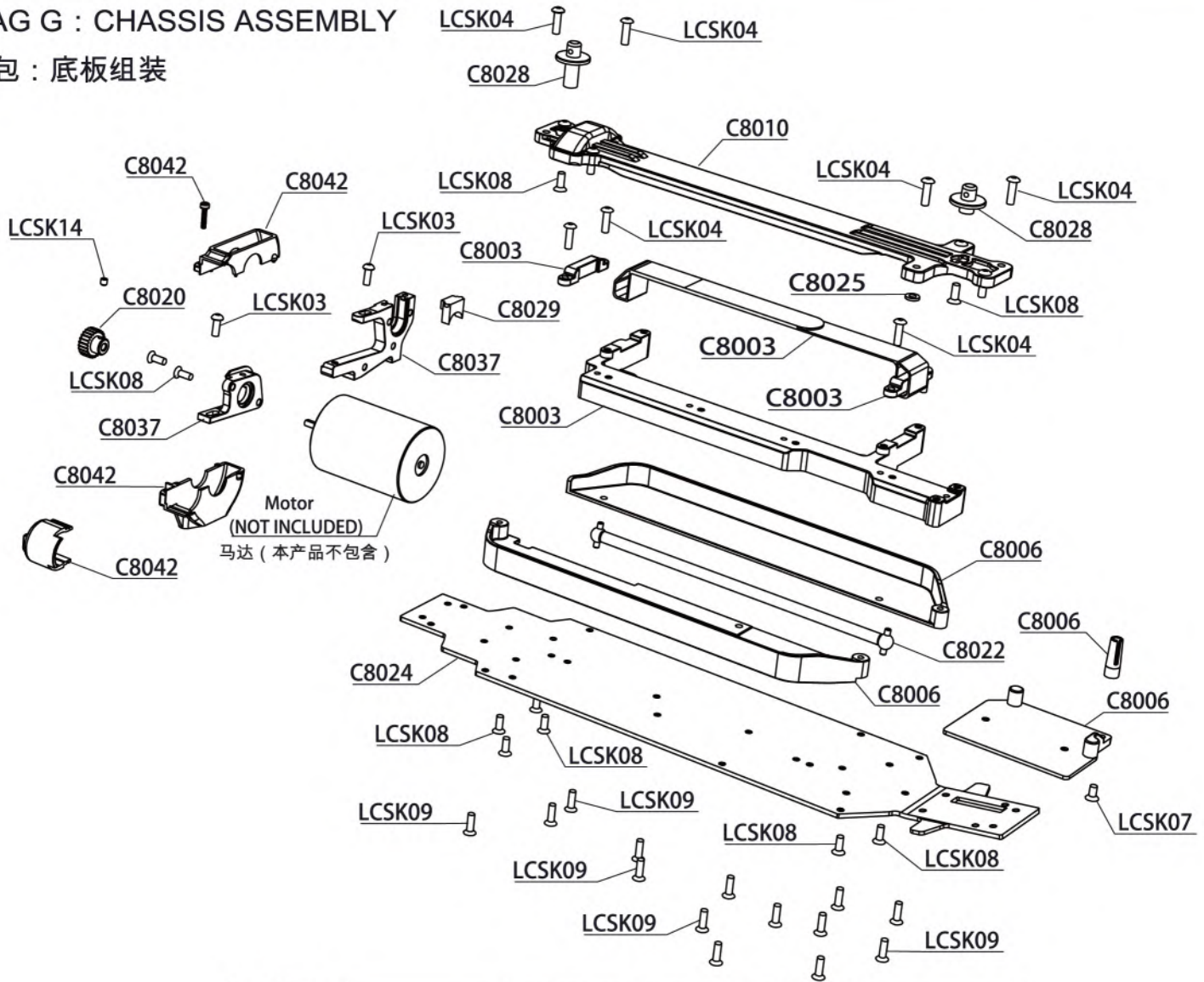


2×



BAG G : CHASSIS ASSEMBLY

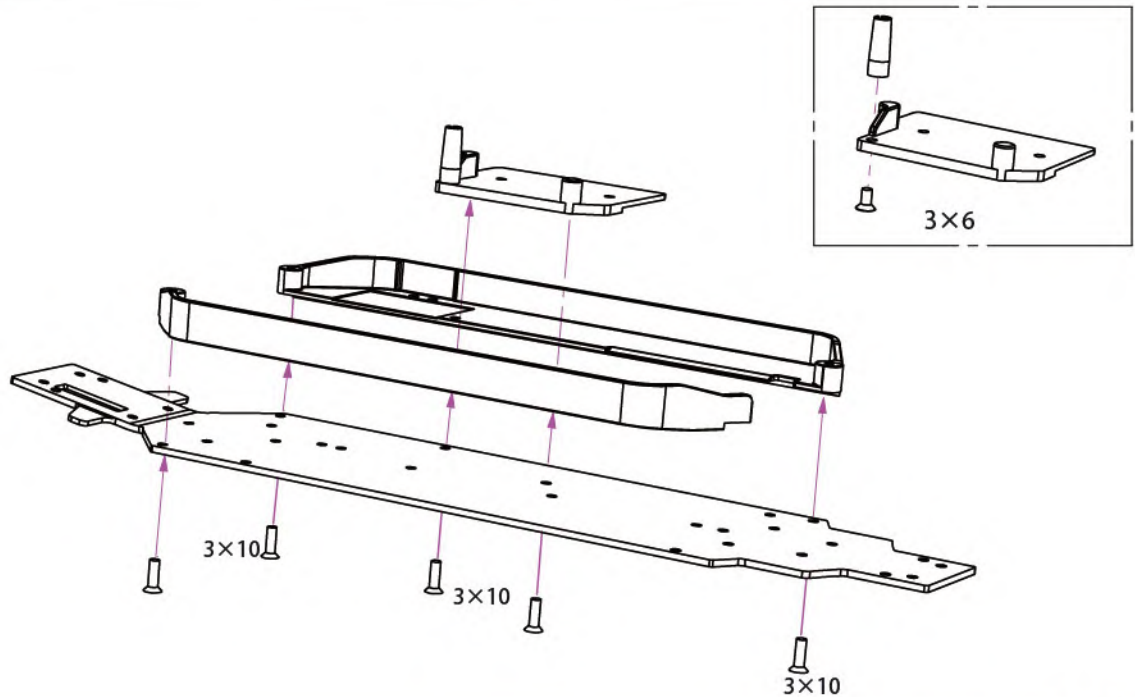
G包：底板组装



C8003	Chassis Brace with Battery Holder 电池固定组
C8006	Chassis Side Guards L+R, Radio Plate 底盘护板+设备板
C8010	Upper Deck 二楼板
C8020	Motor Ponion Gear (24T/48P) 马达齿24T/48P
C8022	Center Drive Shaft Alu 铝合金中传动轴
C8023	Motor Mount Alu 铝合金马达座
C8024	Chassis Alu 2.0mm 铝合金底板2.0mm
C8025	Aluminum Spacer 3x6x1(4), 3x6x2(2), 3x7.5x2.5(2) 铝合金垫片
C8028	5.5mm Ball Cup + Body Post 5.5波帽组
C8029	Spur Gear Shaft Bearing Covers 轴承压块
C8037	Motor Mount Set Alu 7075-T6 铝合金马达座组7075-T6
C8042	Spur Gear Cover Set (PTG-2) 防尘盖
LCSK03	Round Head Screw M3×8mm 圆头螺丝
LCSK04	Round Head Screw M3×10mm 圆头螺丝
LCSK07	Countersunk Screw M3×6mm 沉头螺丝
LCSK08	Countersunk Screw M3×8mm 沉头螺丝
LCSK09	Countersunk Screw M3×10mm 沉头螺丝
LCSK14	Set screw M3×3mm 机米螺丝

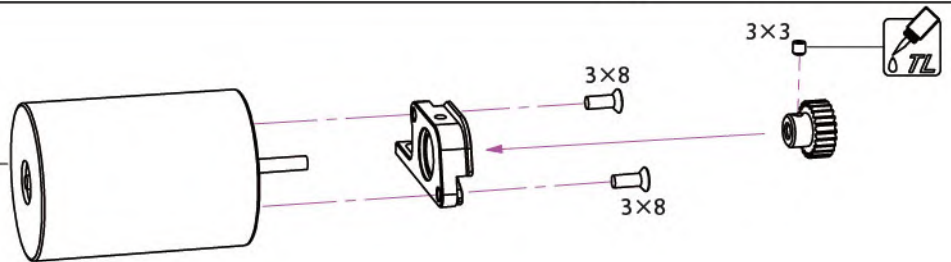
 
Countersunk Screw
M3×6

 
Countersunk Screw
M3×10

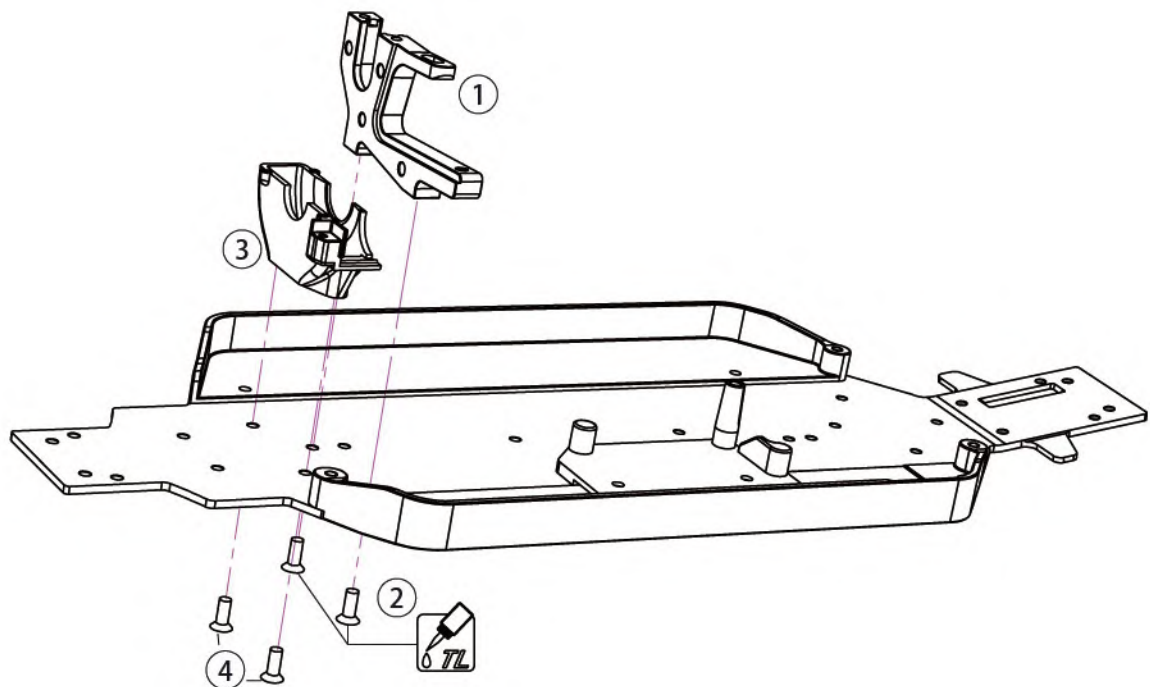


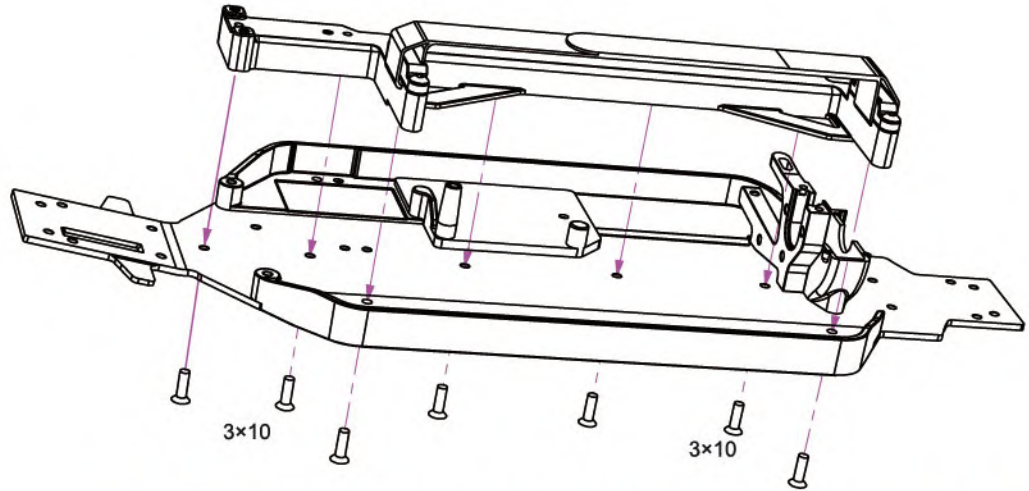
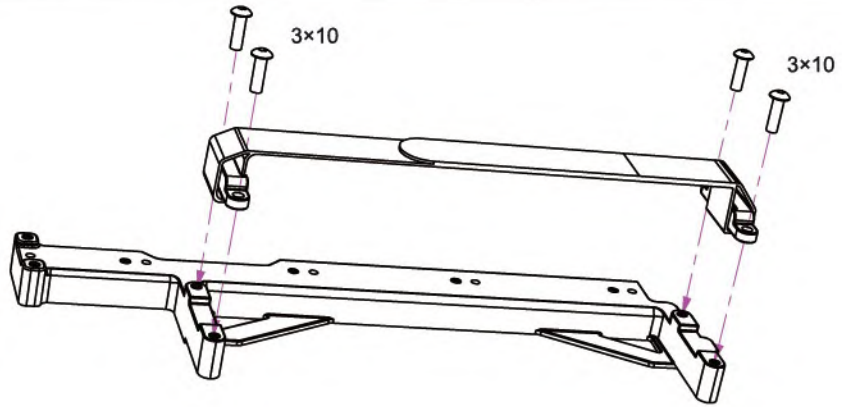
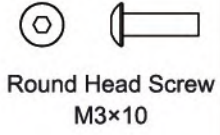
 
Set Screw
M3×3

Motor
(NOT INCLUDED)
马达 (本产品不包含)

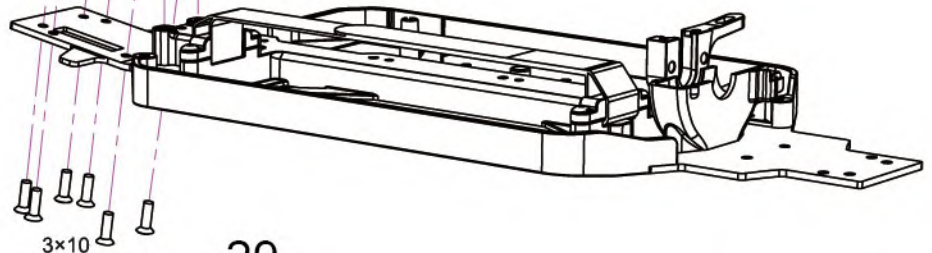
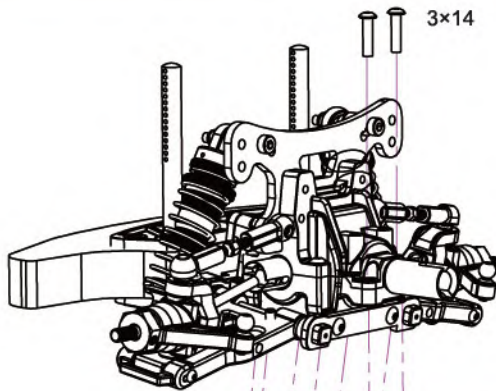


 
Countersunk Screw
M3×8



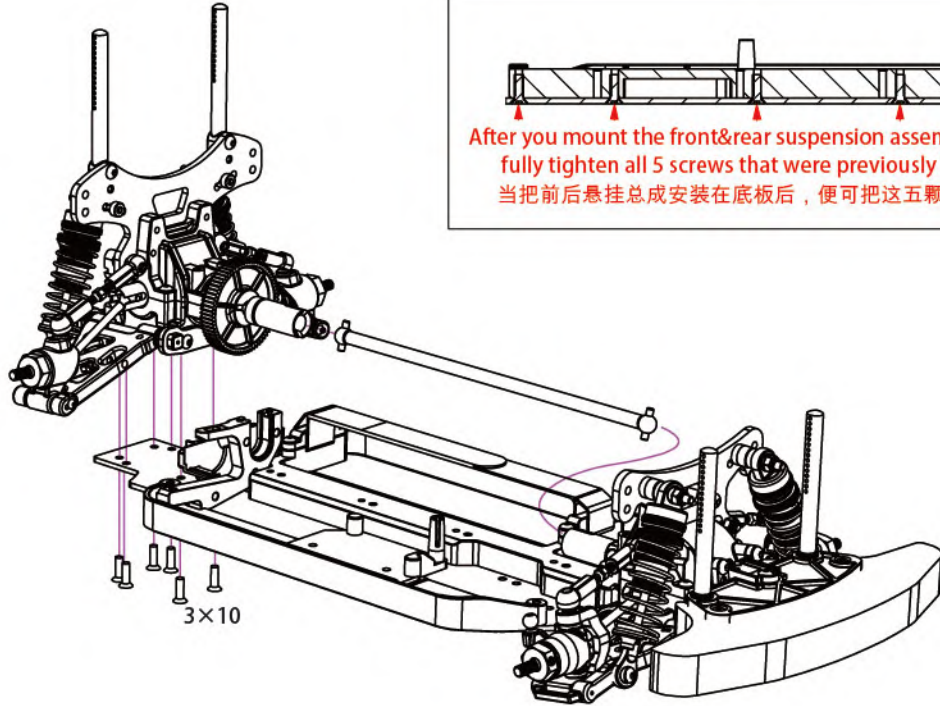


Do not fully tighten the screws during assembly. Fully tighten the screws only after both front and rear suspension assemblies are mounted to the chassis.
在未安装前后总成及悬挂系统前不要完全拧紧螺丝





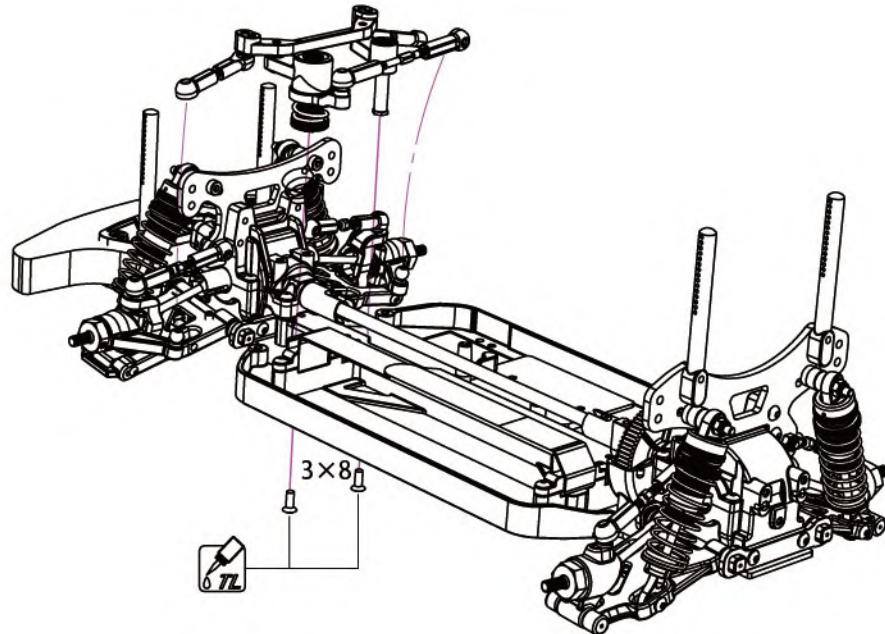
Countersunk Screw
M3×10



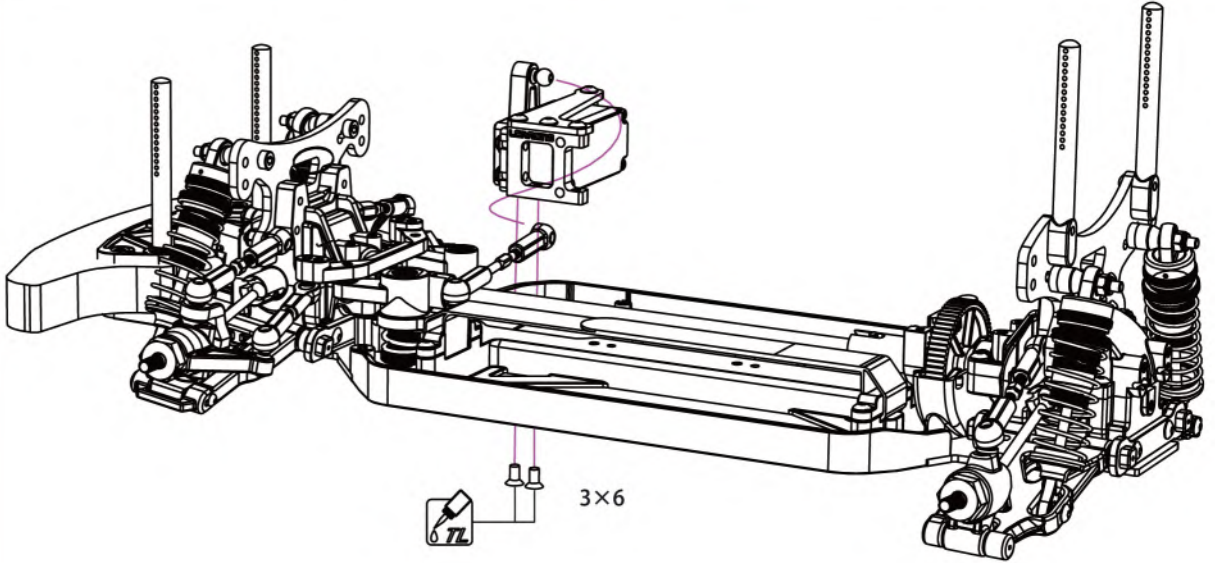
After you mount the front&rear suspension assembly to the chassis, fully tighten all 5 screws that were previously left untightened.
当把前后悬挂总成安装在底板后，便可把这五颗螺丝完全拧紧。



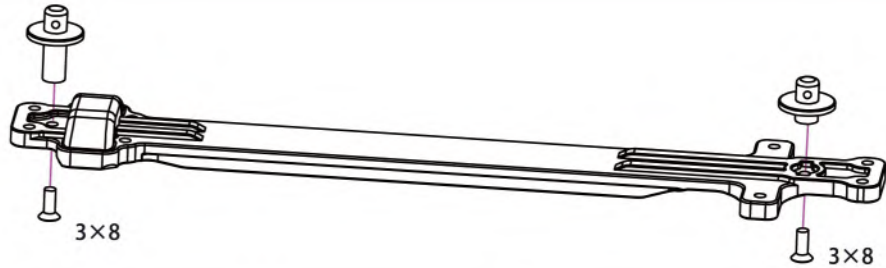
Countersunk Screw
M3×8


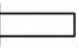


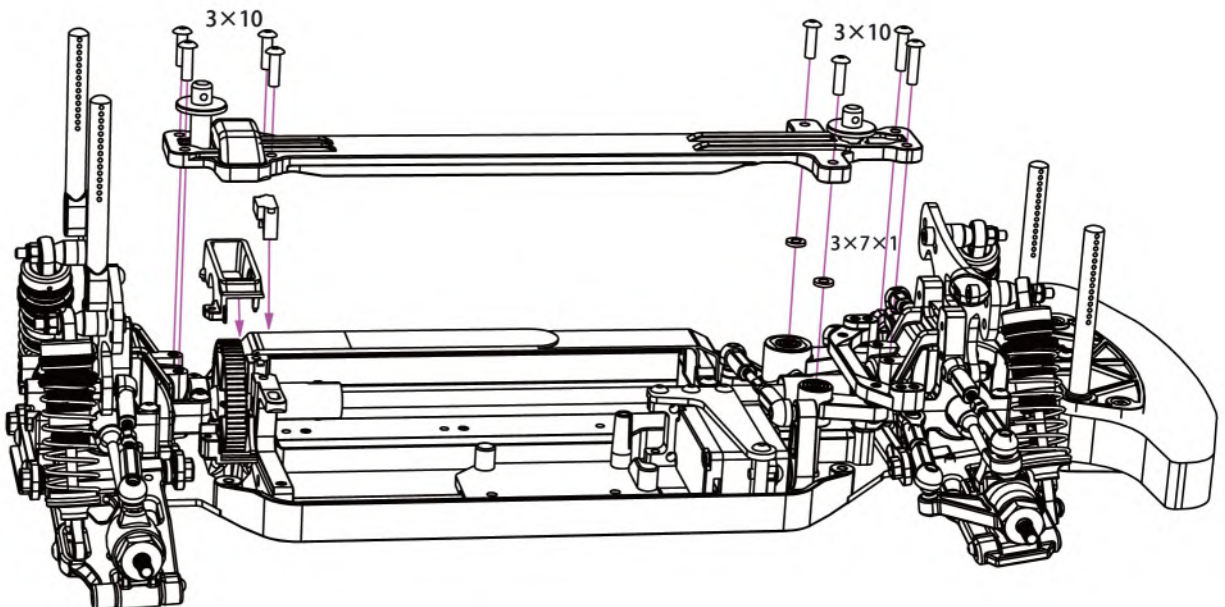
 
Countersunk Screw
M3×6





 
Countersunk Screw
M3×8

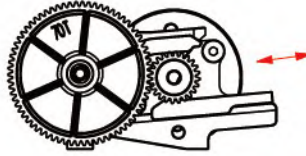


 
Round Head Screw
M3×10



 
Spacer
3×7×1

Adjust the gear engagement and then
tighten the screw
调整齿轮间隙再拧紧螺丝

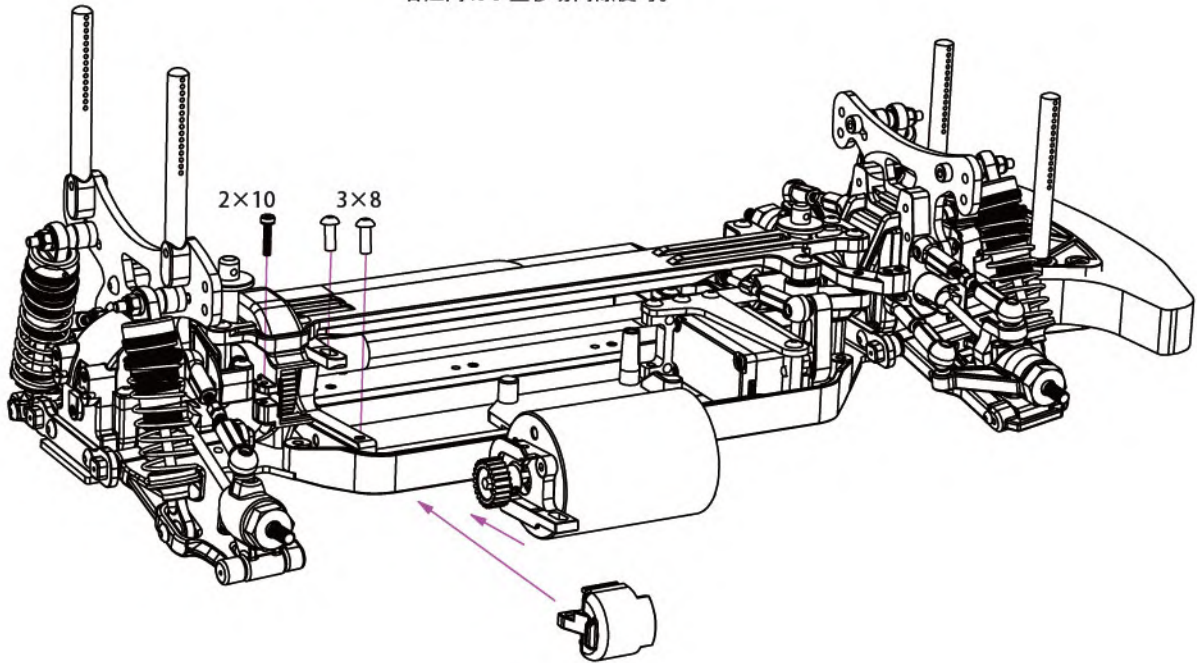


Adjust the motor so the pinion meshes with the spur gear properly. Make sure the gear mesh is not too tight. There should be a small amount of play between the teeth of the pinion gear and the spur gear.

调整马达齿与大齿轮之间的间隙时，注意不要太紧，两者之间有少量移动间隙便可。

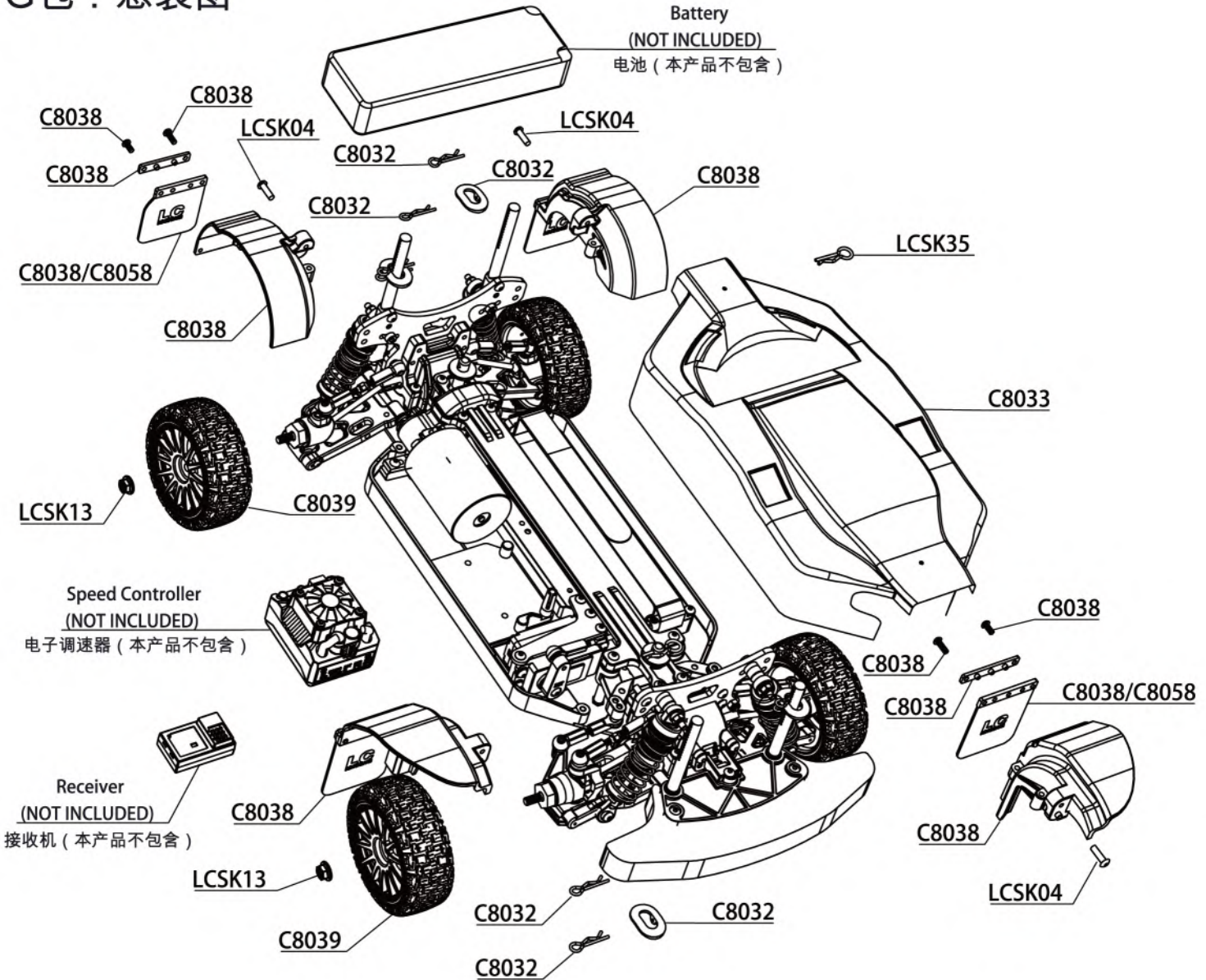

Round Head Screw
M3×8


Socket Head Screw
M2×10

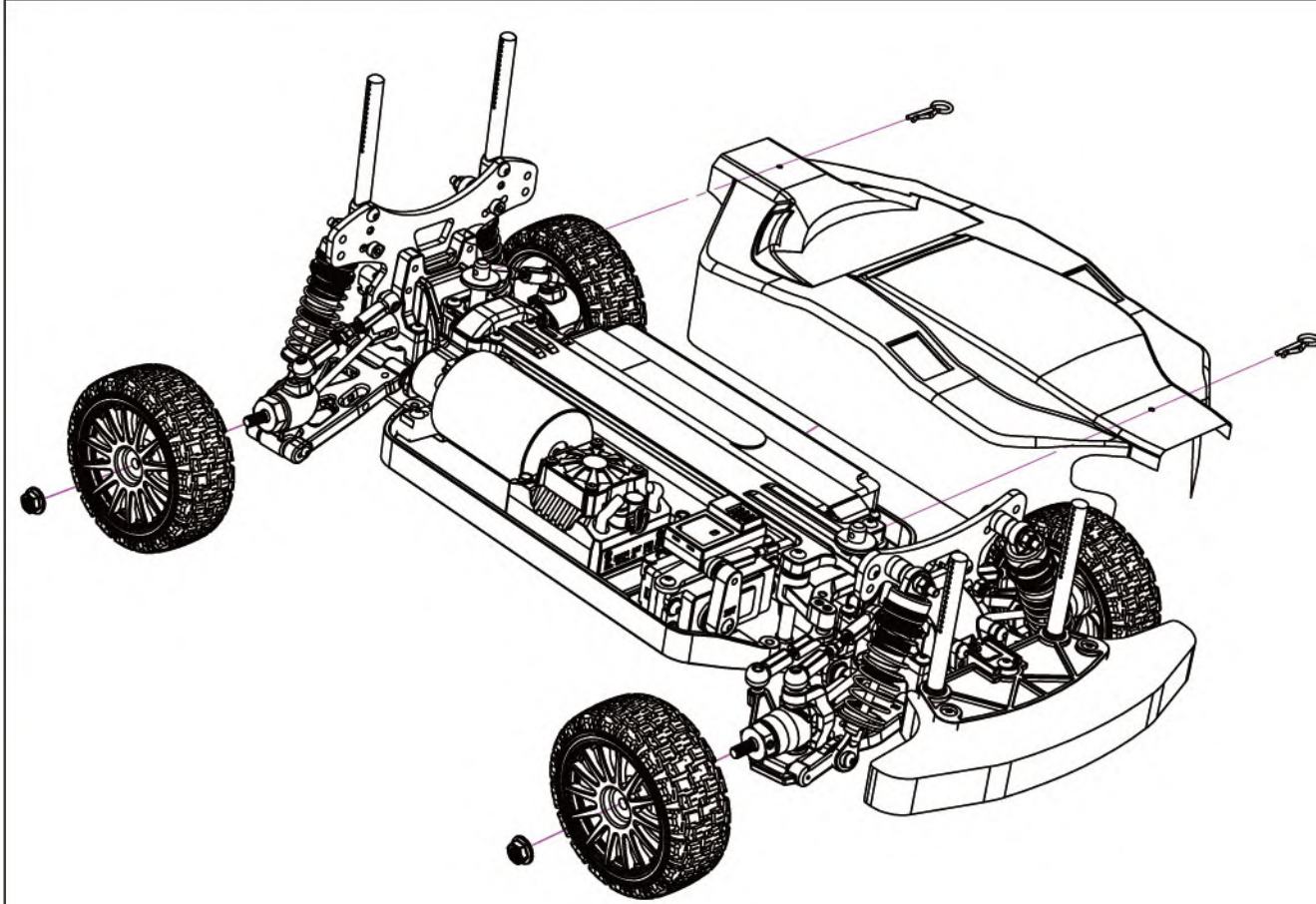
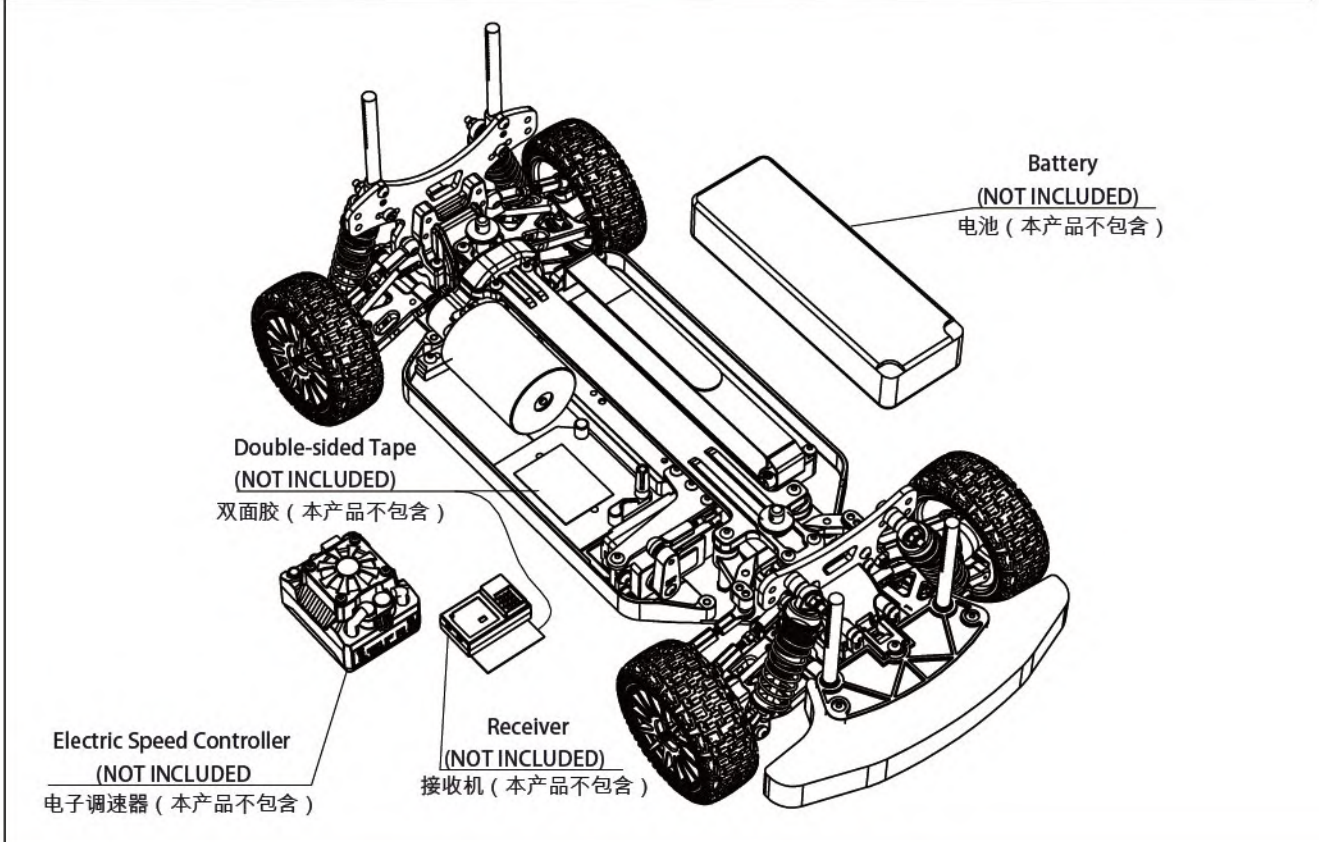


BAG G : FINAL ASSEMBLY

G包：总装图

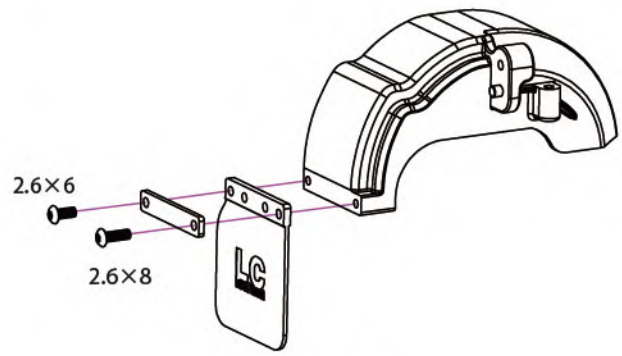
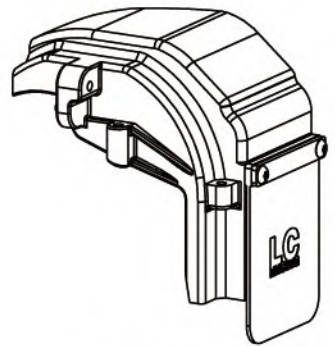
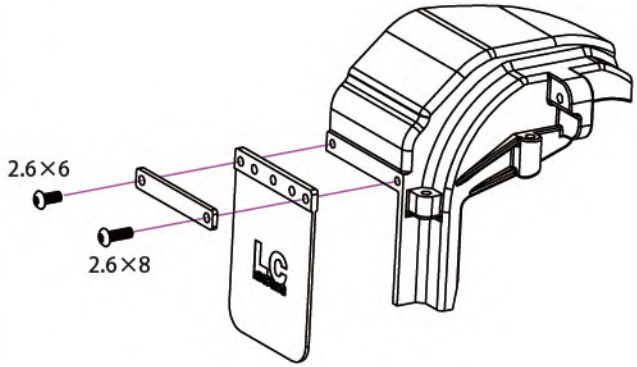
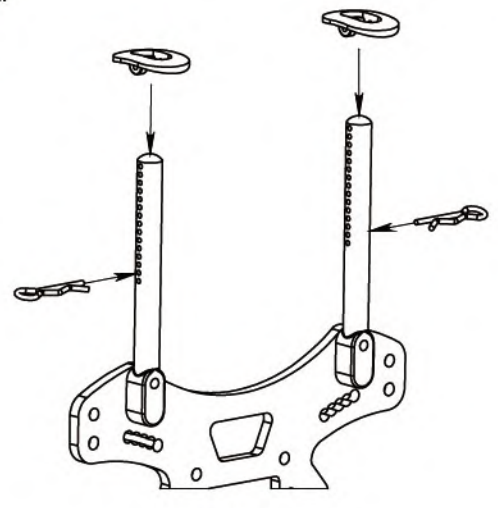
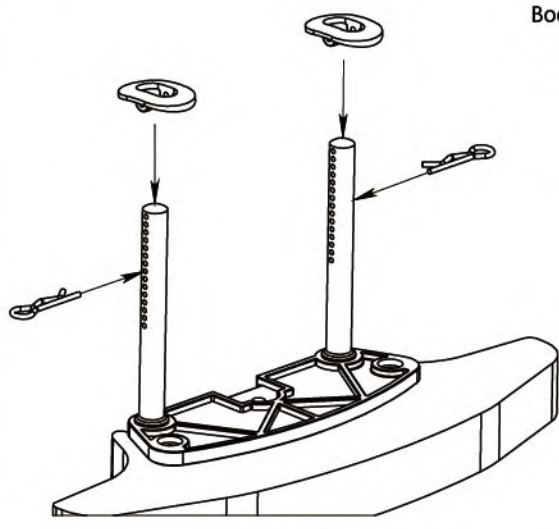


C8032	Body Post Set 车壳柱组
C8033	Chassis Mud Cover Clear 防尘罩
C8038	Mud guard 挡泥板组
C8039	Rally Tire Set 拉力轮组
C8058	Mudguard Flap 4pcs 挡泥片
LCSK04	Round Head Screw M3×10mm M3×10mm 圆头螺丝
LCSK13	Flange Nut M4 M4法兰防松螺母
LCSK35	1/10 Scale body Clip(20) 1/10 R型车壳扣

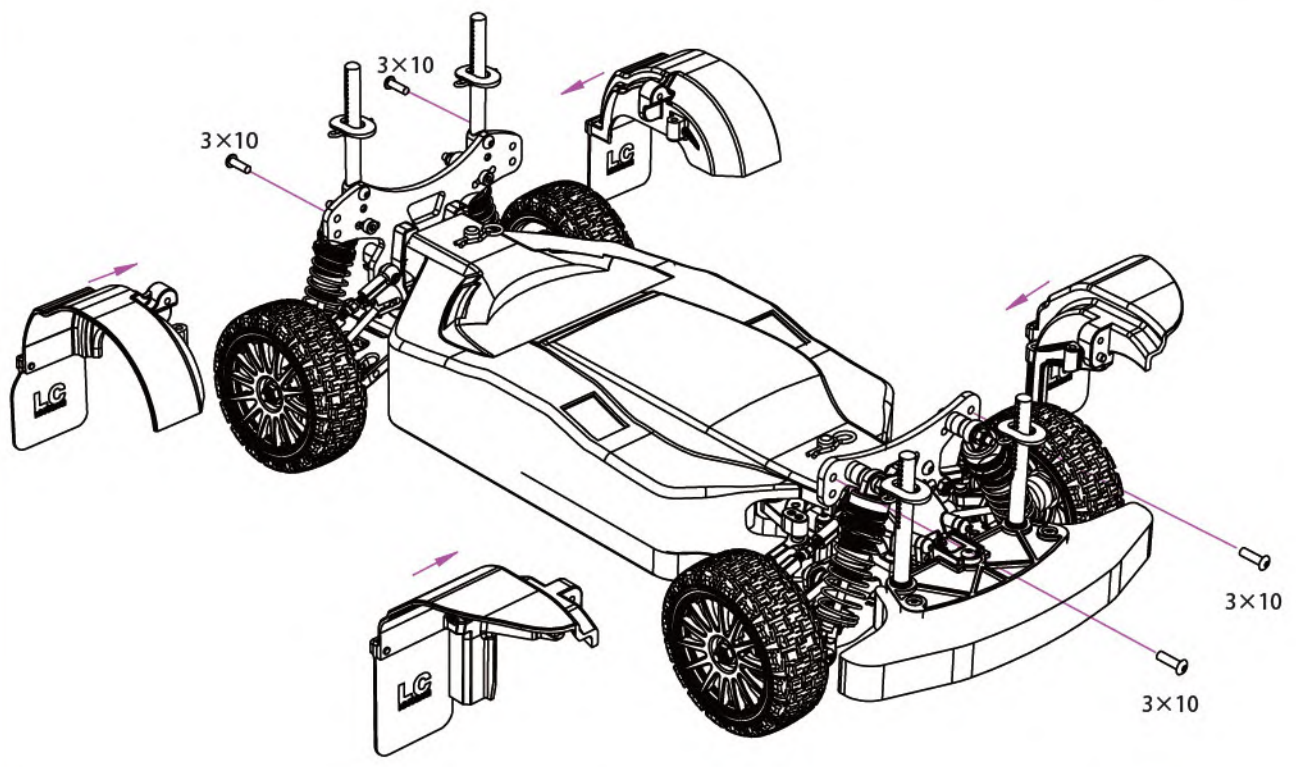




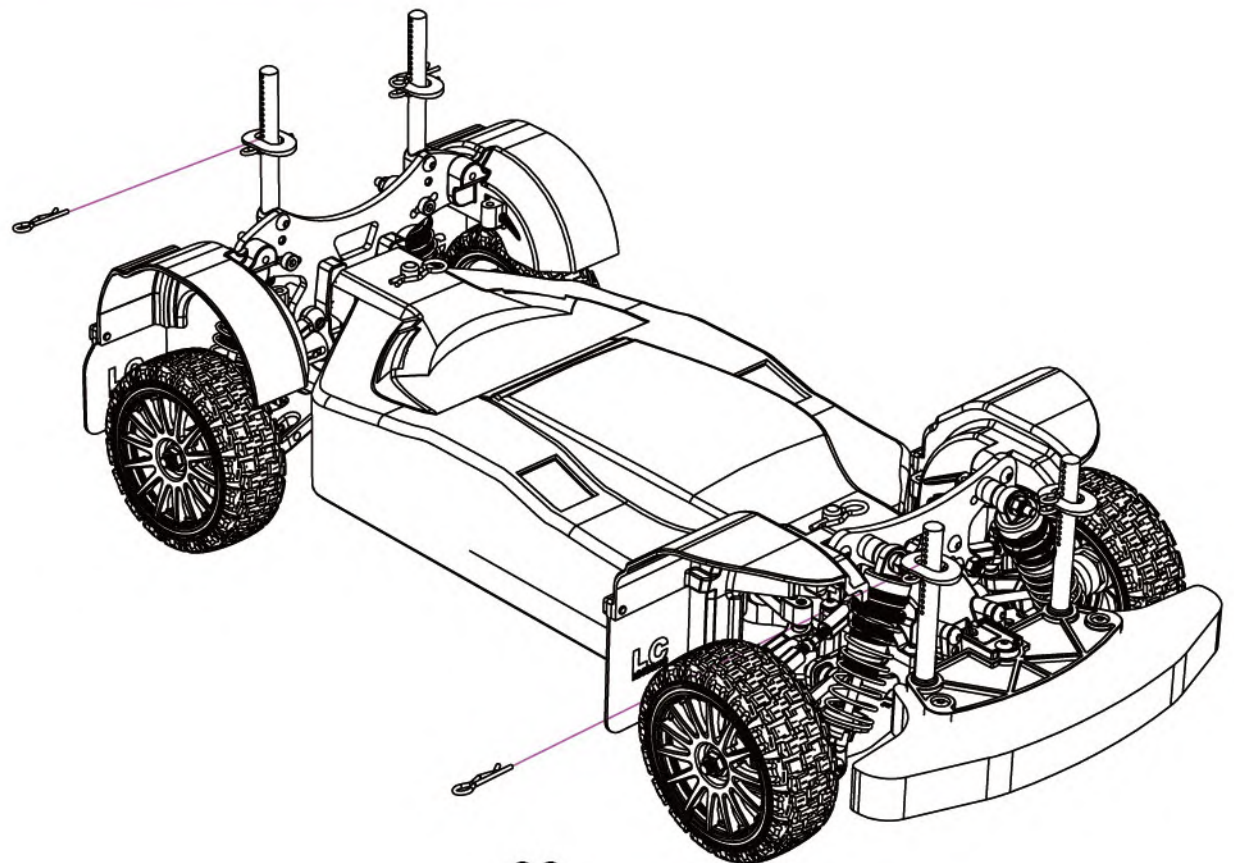
Body Height Adjuster
Support!
车壳高度调节!




Round Head
Screw
M3×10




C8032
Body Clip

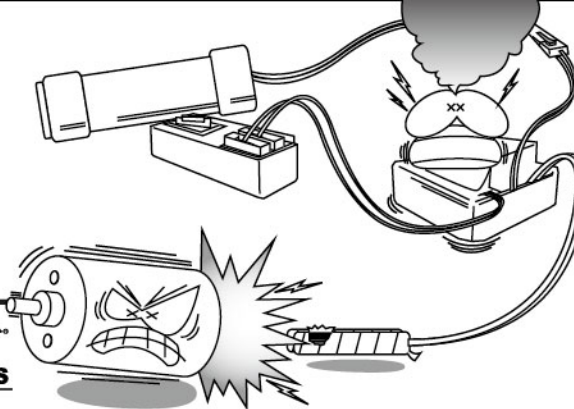




WARNING

LCRACING
RADIO CONTROLLED BUGGIES

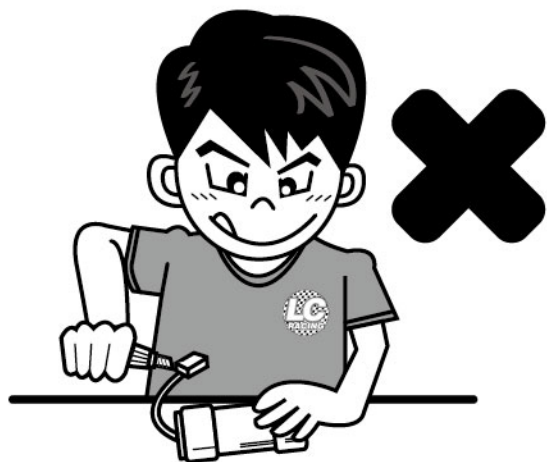
WWW.LCRACING.NET / @SmallCarBigFun @LC Racing EMB



TAKE MAXIMUM CARE IN WIRING, CONNECTING AND INSULATING CABLES.

在处理配线，接线和做线路绝缘的时候，必须万分注意，保证安全。

Versichern sie sich, dass Sie große Sorgfalt beim Verkabeln, Verbinden und bei der Isolierung der Kabel gewähren.



DO NOT DISASSEMBLY BATTERY OR CUT BATTERY CABLES.

禁止拆解电池，禁止剪切电池接线。

If the running battery short - circuits, approx. 300W of electricity can be discharged, leading to fire or burns. Never disassembly battery or cut battery cables.

如果工作电池发生短路，大概300瓦电量会释放出来，会导致起火或者灼伤所以禁止拆解电池，禁止剪切电池接线。

Demontieren Sie nicht die Batterie oder beschädigen Sie diese in irgendeiner Art und Weise.

Sollte der Fahrakku leer sein und das Fahrzeug sich nicht mehr bewegen, laden Sie den Akku auf, um eine Tiefenentladung zu vermeiden.

Hinweis: Bitte niemals den Akku tiefenentladen oder verpolen, da das zum Defekt oder zum Brand des Akkus führen kann.



BE CAREFUL OF INTERFERENCE FROM ANOTHER RADIO.

USE A TRANSMITTER DESIGNED FOR GROUND USE WITH R/C CARS.

注意遥控信号干扰问题。请使用地面用的遥控发射器操控遥控车。

Make sure that no one else is using the same frequency as yours in your operating area. Using the same frequency at the same time, whether it is driving, flying or sailing, can cause loss of control of the R/C model, resulting in a serious accident. 请确保在你操控区域内没有其他人使用同一频率。同时使用同一频率会导致遥控车，遥控飞机或者遥控船失控，造成严重事故。

Achten Sie auf Störungen, die durch andere Sender verursacht werden können. Verwenden Sie einen kompatiblen Sender für R/C Autos.

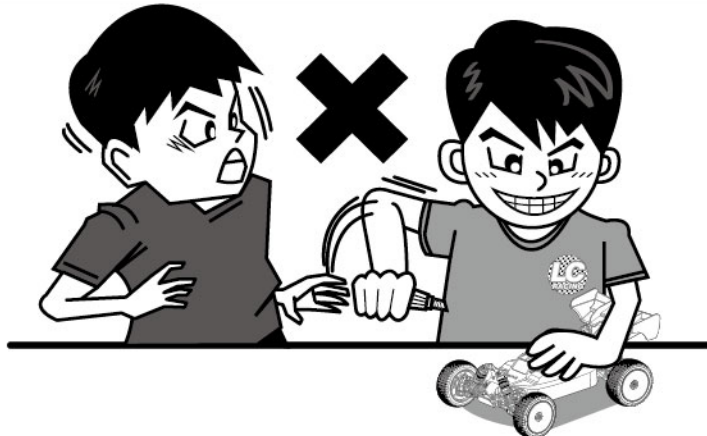
Stellen Sie sicher, dass keiner dieselbe Frequenz in Ihrer Umgebung benutzt. Wenn die selbe Frequenz zur selben Zeit verwendet wird, kann das zum Kontrollverlust und somit zu schweren Unfällen führen.



Read carefully and fully understand the instructions before commencing assembly.

组装前须认真阅读说明书，须完全读懂说明书。

Lesen Sie die komplette Anleitung sorgfältig durch und stellen Sie sicher, dass Sie die Anweisungen vor dem Zusammenbau verstanden haben.

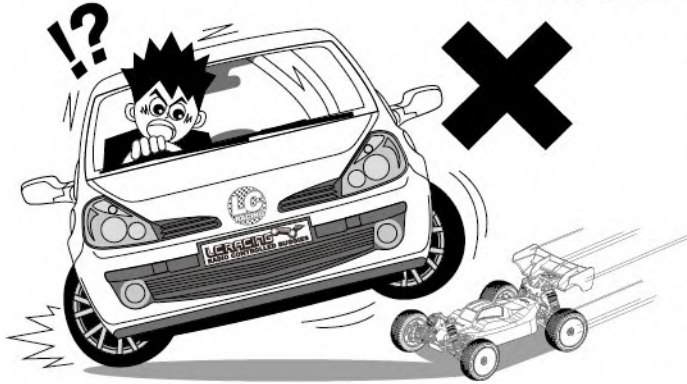


When assembling the kit, tools including knives are used.

Extra care should be taken to avoid personal injury.

组装套件的时候，包括刀片这样的工具会使用到，所以要格外小心，避免受伤。

Wenn Sie den Bausatz zusammenbauen, werden Sie verschiedene Werkzeuge verwenden. Besondere Sorgfalt ist angebracht, um Verletzungen zu verhindern.



OPERATE R/C MODELS IN APPROPRIATE AREAS ONLY
 必须在合适地方操作遥控模型车
 Benutzen Sie das R/C Modell nur in angemessenem Terrain.

1. Never run R/C models on the road
2. Never run R/C models in a crowded area or near small children
3. Do not run R/C models in a narrow space or indoors.
- * Running R/C models in improper areas may result in an accident causing serious injury or property damage.

1. 禁止在马路上操控模型车
2. 禁止在人多的地方或者靠近小孩（儿童）的地方操控模型车
3. 禁止在狭小的地方或者室内操控模型车
- * 禁止在不合适的地方操控模型车，否则会发生严重人身和财产安全损害。

1. Benutzen Sie das R/C Modell nicht auf einer befahrenen Straße.
2. Benutzen Sie das R/C Modell nicht in der Nähe von Menschenmengen oder in der Nähe von Kindern.
3. Benutzen Sie das R/C Modell nicht in engen Bereichen oder im Hause.
- * Wenn Sie das R/C Modell in unangemessenen Bereichen bedienen, kann das zu Unfällen führen, die ernste Verletzungen oder Sachschäden zur Folge haben können.



A supervising adult should also read the instructions if a child assemble the model.

如果由小孩（儿童）组装模型车，须由监护人阅读说明书，进行指导。

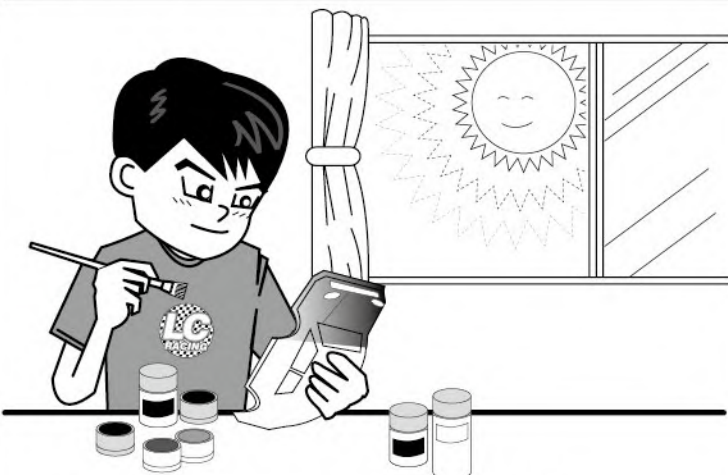
Wenn ein Kind das Modell zusammenbaut, sollte ein Erwachsener auch die Anleitungen durchlesen und verstehen.



When assembling the kit, tools including side cutters are used. Extra care should be taken to avoid personal injury.

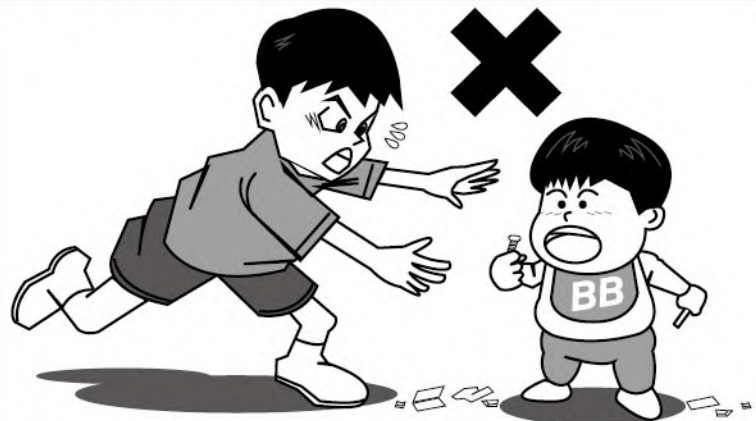
组装套件的时候，包括切边钳这样的工具会使用到，所以要格外小心，避免受伤。

Wenn Sie den Bausatz zusammenbauen, werden Sie unter anderem auch Seitenschneider verwenden. Besondere Sorgfalt ist angebracht, um Verletzungen zu verhindern.



Read and follow the instructions supplied with paints and/or cement, if used (not included in kit).
 如使用到油漆或胶水，须阅读并根据相关说明书使用。
 （一般不含在套件里面）。

Lesen und befolgen Sie die Anleitungen für die Farben und / oder Kleber (nicht im Bausatz enthalten).



Keep out of reach of small children. Children must not be allowed to put any parts in their mouths or pull vinyl bags over their heads.
 须远离孩童！防止小孩（儿童）将任何零件放进嘴里，或者将乙烯塑料袋盖住头。

Aus der Reichweite von kleinen Kindern halten. Achten Sie darauf, dass Kinder keine Teile in den Mund nehmen oder sich die Tüten über den Kopf ziehen.



LCRACING [®]

RADIO CONTROLLED BUGGIES

WWW.LCRACING.NET / @SmallCarBigFun @LC Racing.EMB

