

WARNING: FALL AND SUFFOCATION HAZARD

IMPORTANT: RETAIN FOR FUTURE REFERENCE.

Failure to follow these warnings and the assembly instructions could result in serious injury or death. This product is for use with the Colugo Compact Stroller only.

WARNINGS

- Never leave child unattended. Always keep child in view while in the stroller.

Avoid serious injury from falling or sliding out. Child may slip into leg openings and strangle. Never use in reclined carriage position unless using infant insert. Always use restraint system. This seat unit is not suitable for children under 6 months without using infant insert.

- **TO PREVENT HAZARDOUS, UNSTABLE CONDITION,** do not place more than 10 lbs in the storage basket.

- **TO AVOID INJURY TO YOUR CHILD: DO NOT USE STORAGE BASKET AS A CHILD CARRIER.**

- Never place purse, shopping bags, parcels or unapproved products on the handle or canopy.

- This stroller can be used with children up to 55 lbs.

- Never place hot liquids in the organizer. Maximum weight 2 lbs.

- **AVOID FINGER ENTRAPMENT:** Use care when folding and unfolding the stroller. Be certain the stroller is fully opened and latched before allowing child near the stroller.

- **ALWAYS ENSURE** that all parts of the child's body are clear of any moving parts. Do not carry additional children, parcels, goods or accessories in or on this product except as recommended in the manufacturers instructions.

- The brake must be locked while taking the child out of stroller and when parked.

- Keep stroller away from open fire and other sources of strong heat.

- Do not make any alterations or modifications to the stroller with products not supplied by the manufacturer as this may cause instability or structural damage.

- Do not use on stairs or escalators.

- When folded, make sure the stroller is stored in a place where it does not risk falling on a child.

USING YOUR COLUGO ON THE GO ORGANIZER

STEP 1

Tuck the waist straps into the rear elastic pocket and fold the top panel to the rear.

STEP 2

Attach each handlebar strap by threading the strap through the d-ring and back around the handlebar (grip side toward the handlebar).

STEP 3

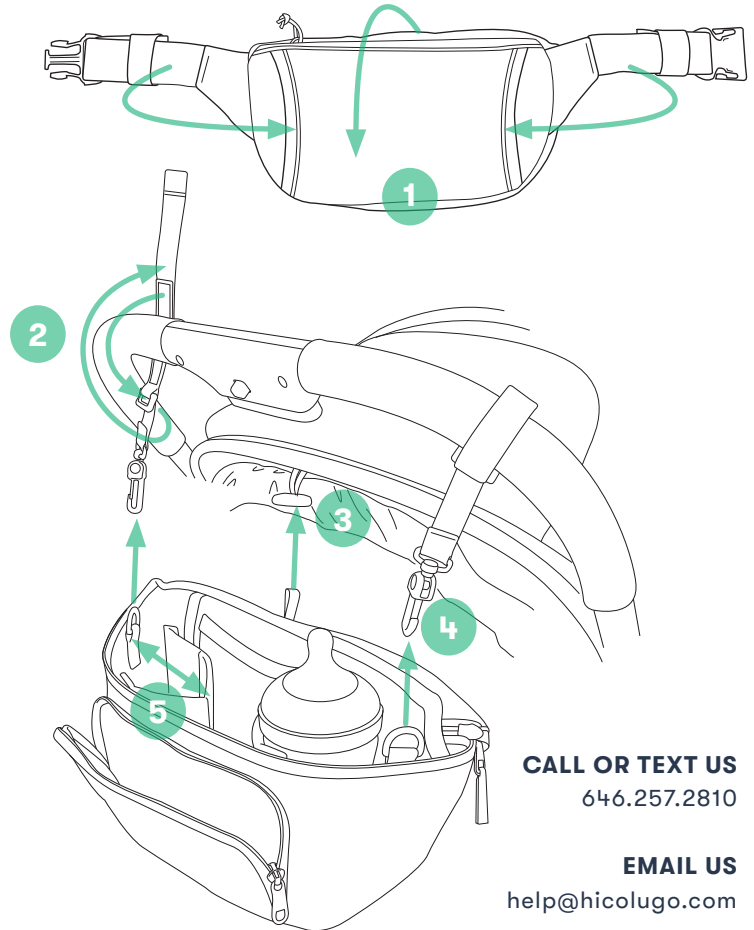
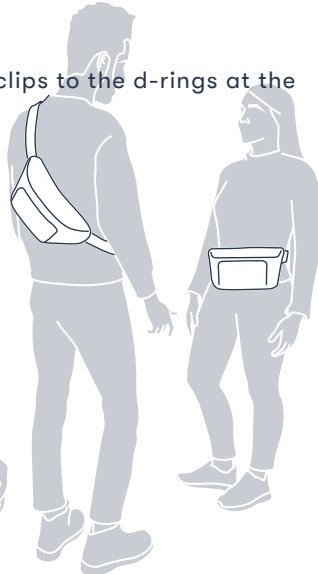
Secure the organizer to the rear canopy toggle using the elastic loop.

STEP 4

Snap the handlebar strap clips to the d-rings at the interior of the organizer.

STEP 5

Pop out the cupholders.



CALL OR TEXT US

646.257.2810

EMAIL US

help@hicolugo.com