

180w PERC Monocrystalline Solar Module



Key Features

Anti-PID



PV cells produced have achieved anti-PID (Potential-Induced Degradation) ability following the optimization of its manufacturing technology.



Solar Performance

Excellent temperature co-efficient, giving higher yields in the long term.



Static Load

Certified to withstand increased loads of upto 5400Pa (IEC 61215).



Low-light

Outstanding performance in weak-light conditions.



High Conversion

High efficiency, all the innovative manufacturing technology, brings high conversion (18.1%)



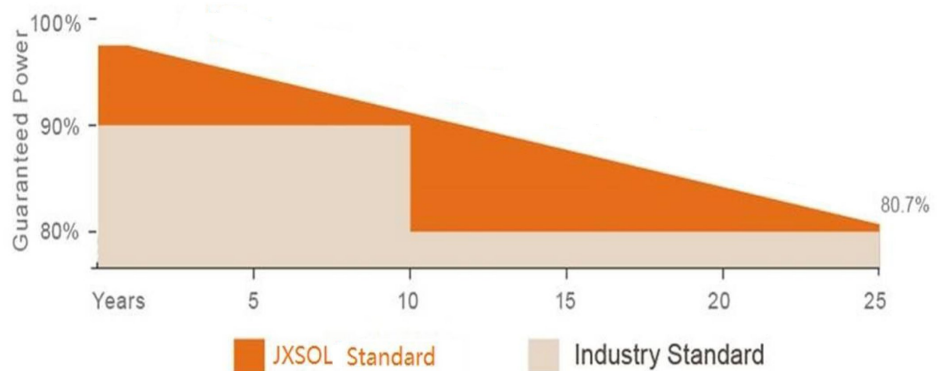
5 Busbars per Solar Cell

5+ busbars improve the efficiency of modules, offers a better aesthetic appearance, making it perfect for rooftop installation.

Management System and Product

Conform to IEC 61215, IEC 61730, CEC Listed and CE
 ISO 9001 : 2015 : ISO Quality Management System
 ISO 14001 : 2015 : ISO Environmental Management System

Linear Performance Warranty



12 YEARS Guarantee on product material and workmanship

25 YEARS linear power output warranty

ELECTRICAL DATA

Peak Power Watts-Pmax (Wp)	180
Power Output Tolerance-P MAX (W)	0~+5W
Maximum Power Voltage-V MPP (V)	18.90
Maximum Power Current-I MPP (A)	9.50
Open Circuit Voltage-V OC (V)	23.00
Short Circuit Current-I SC (A)	10.00
Module Efficiency η_m (%)	18.1%
STC: Irradiance 1000 W/m ² , Cell Temperature 25°C, Air Mass AM1.5	

MECHANICAL DATA

Solar Cells	PERC Monocrystalline 156 x 156mm
Cell Orientation	36 Cells (4 x 9)
Module Dimensions	1480 x 670 x 35mm
Weight	12kgs
Glass	3.2mm, High Transmission, AR Coated Tempered Glass
Frame	Black Frame Anodized Aluminium Alloy
Backsheet	White
J-Box	IP67 rated (3 Diodes)
Cables	Photovoltaic Technology Cable 2.5mm ² , 900mm
Connector	MC4 or MC4 Compatible

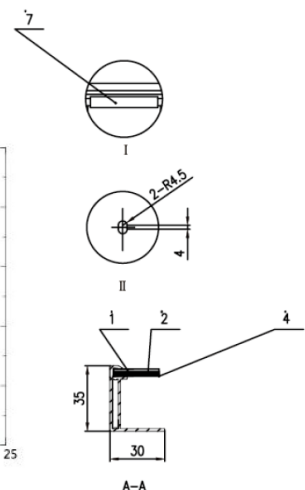
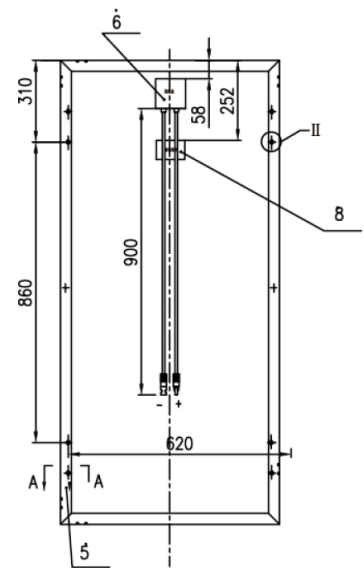
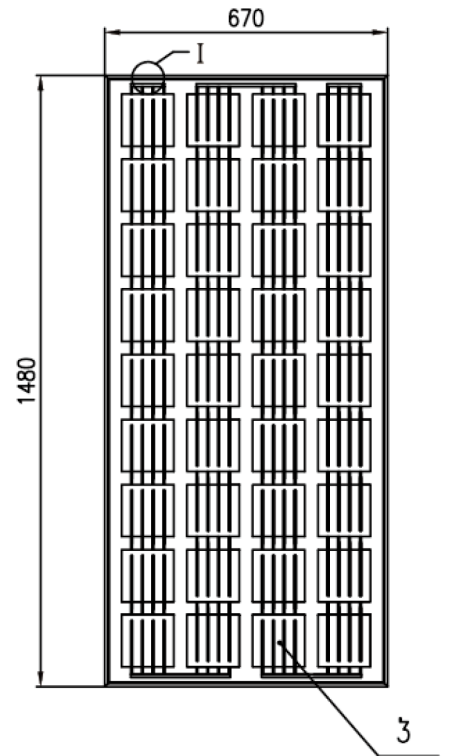
TEMPERATURE RATINGS

Nominal Operating Cell Temperature (NOCT)	44°C (±2°C)
Temperature Coefficient of P _{MAX}	-0.39% / °C
Temperature Coefficient of V _{OC}	-0.29% / °C
Temperature Coefficient of I _{SC}	0.05% / °C

MAXIMUM RATINGS

Operational Temperature	-40~+85°C
Maximum System Voltage	715V DC(IEC)
Max Series Fuse Rating	10A

Solar Module Diagram



I-V and P-V Curves for Solar Modules 36-180w

