



metacaulk®

SAS 90

SMOKE & ACOUSTIC

PRODUCT DATA SHEET

METACALK® SAS 90 - Smoke & Acoustic



Description:

Metacaulk SAS 90 Smoke & Acoustic is a high-quality, latex-based sealant formulated to reduce sound transmission and to maintain the specified STC (Sound Transmission Class) of sound-rated assemblies per International Building Code (IBC) requirements for airborne sound. Metacaulk SAS 90 adheres to most building materials and cures to form a paintable, permanently flexible barrier that prevents the passage of smoke and gasses through **non-fire-rated** penetrations and joints in smoke barrier partitions as required by the IBC.

Applications:

- One and two-sided applications
- Top and bottom runners prior to application of drywall
- Outer edge perimeter joints of drywall
- Cut-outs and utility penetrations
- Bottom of wall, wall to wall, and head of wall joints in smoke partitions
- Suitable for use in minimally dynamic joints
- Penetrations for metallic, insulated metallic, ducts, conduit, cables and wires in non-fire rated smoke partitions and acoustical assemblies (check with manufacturer for non-metallic approvals)

Limitations:

- Not for use in fire-rated floor or wall assemblies

Advantages:

- Available in Gun-grade and Spray-grade
- Mold and mildew resistant
- High-strength adhesion to most building materials
- Durable, long-lasting bond
- Permanently flexible
- Paintable

MADE IN USA

Packaging:

Product Code	Code Description	Description	Size	Quantity
66653	MCSAS90-5caulk	Gun grade caulk	5 gallon Pail (106L)	1 pail
66654	MCSAS90-5spray	Spray grade	5 gallon Pail (106L)	1 pail
66655	MCSAS90-28F	Gun grade caulk	28oz Fiber Tube (828.06mL)	12 tubes/case
66656	MCSAS90-20	Gun grade caulk	20.2oz Sausage (591.48mL)	16 tubes/case

Top Applicable Specifications Divisions:

- Section 07 86 00 - Smoke Seals
- Section 07 90 00 - Joint Protection
- Section 09 20 00 - Plaster and Gypsum Board
- Section 22 00 00 - Plumbing
- Section 23 00 00 - Heating, Ventilating, and Air Conditioning (HVAC)
- Section 26 00 00 - Electrical

Maintenance:

Inspect sealant at a minimum of every five years. If sealant or bond of sealant is damaged, completely remove or cut away sealant in the damaged area, clean surface, and reapply sealant.

**METACAULK® SAS 90 - Smoke & Acoustic****Caulk Installation:****Surface Preparation**

Surfaces should be clean of any debris or material that may prevent or deter adhesion. Such debris include, but not limited to: dirt, frost, loose particles, existing sealants, grease, oils, rust, etc.

Application

1. Cut nozzle to desired bead size. $\frac{3}{8}$ " is recommended for most applications.
2. Apply sealant on the underside of all runners at the ceiling and floor prior to the installation of drywall, the outer edge perimeter joints, cut-outs, and utility penetrations to ensure the required STC is achieved or maintained.
3. Smooth caulk using a wet finger, putty knife, spatula, or other similar means.
4. Sealant normally "skins over" in 15 minutes, dries to touch in 2 hour, and cures in 24 to 48 hours. Allow 3 to 7 days for full cure depending on ambient conditions.

Cleanup

Excess caulk should be cleaned off tools and nonporous surfaces while it is in the uncured state using a dry cloth or paper towels (soap and water may be used). Excessive amounts may require the use of a solvent such as mineral spirits. After curing, excess sealant must be cut or scraped away.

Spray Installation:**Surface Preparation**

Spray application requires airless spray equipment that meets the following:

- Working Pressure: 2500 PSI (72 Bar) minimum
- Delivery: 0.72 US gpm (2.7 l/min) minimum
- Spray Tip Opening: 0.023" - 0.026" recommended
- All seals and contact surfaces should be suitable for latex emulsion contact.

Surfaces should be clean of any debris or material that may prevent or deter adhesion. Such debris include, but not limited to: dirt, frost, loose particles, existing sealants, grease, oils, rust, etc.

Application

1. A minimum of $\frac{3}{8}$ " fluid line is required, a $\frac{1}{2}$ " line is preferred. For long hose runs or lifts to higher elevations, consult pump manufacturer. A reversible spray tip is recommended. A 6" fan pattern is recommended to reduce overspray.
2. Apply sealant on the underside of all runners at the ceiling and floor prior to the installation of drywall, the outer edge perimeter joints, cut-outs, and utility penetrations to ensure the required STC is achieved or maintained.
3. Sealant normally "skins over" in 15 minutes, dries to touch in 2 hours, and cures and in 24 to 48 hours. Allow 3 to 7 days for full cure dependent on ambient conditions.

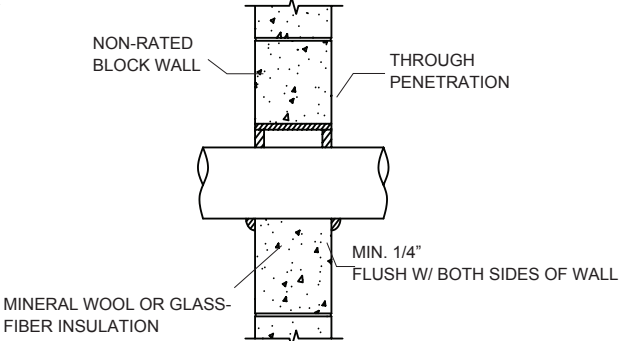
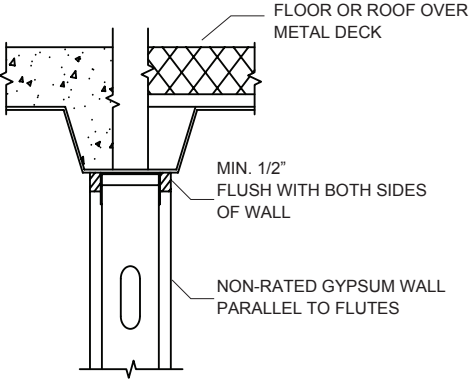
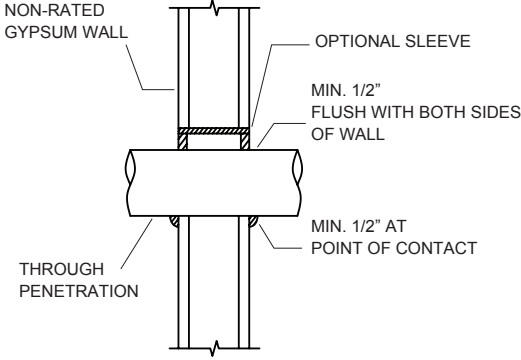
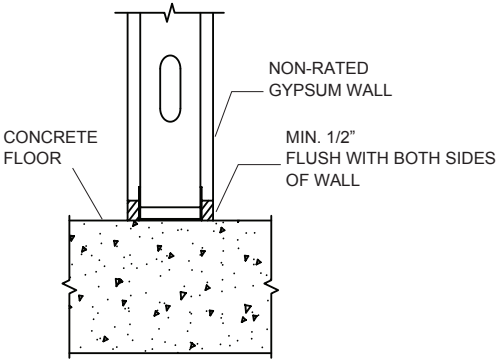
Cleanup

Excess sealant should be cleaned off tools and nonporous surfaces while it is in the uncured state using a dry cloth or paper towels (soap and water may be used). Excessive amounts may require the use of a solvent such as mineral spirits. After curing, excess sealant must be cut or scraped away.

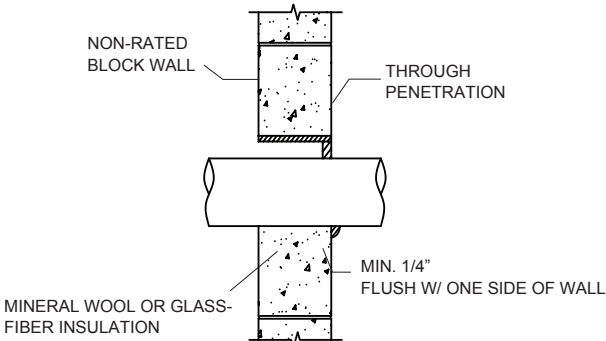
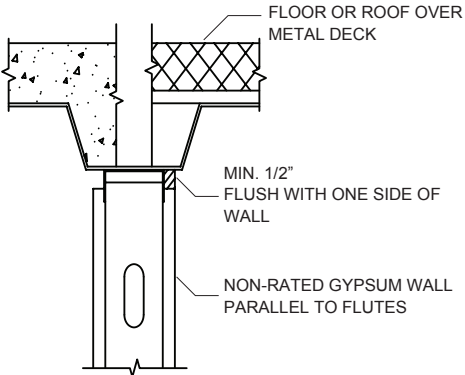
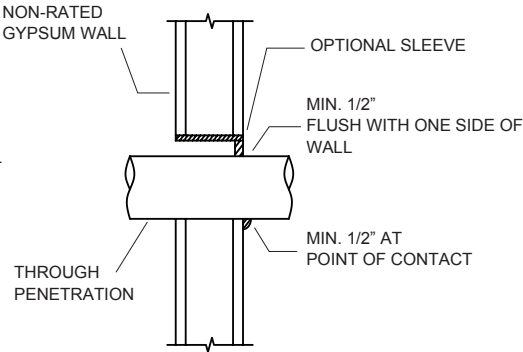
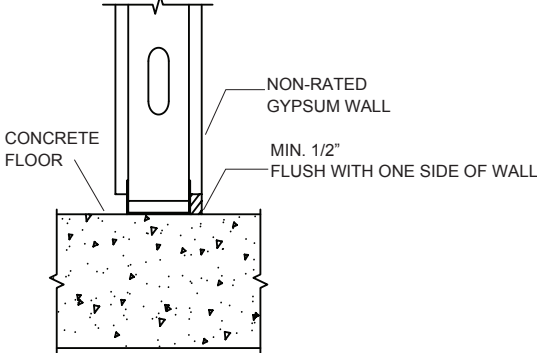
METACALK® SAS 90 - Smoke & Acoustic

Caulk Installation Examples:
Drawings of Non Fire-rated Smoke Partitions

TWO-SIDED APPLICATIONS:



ONE-SIDED APPLICATIONS:

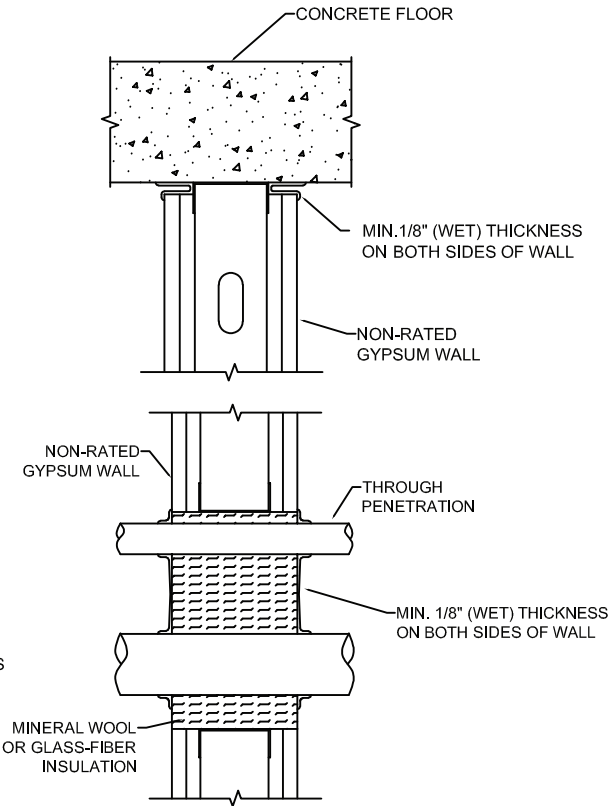
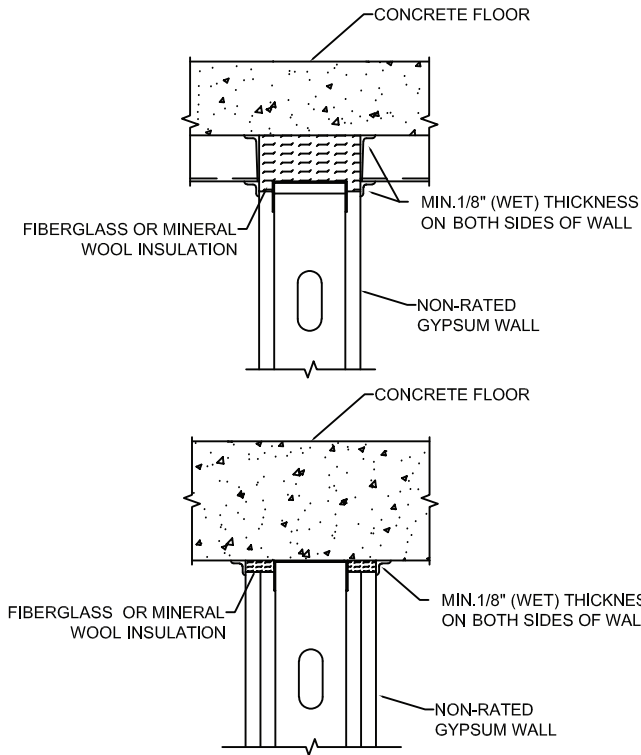


METACAULK® SAS 90 - Smoke & Acoustic

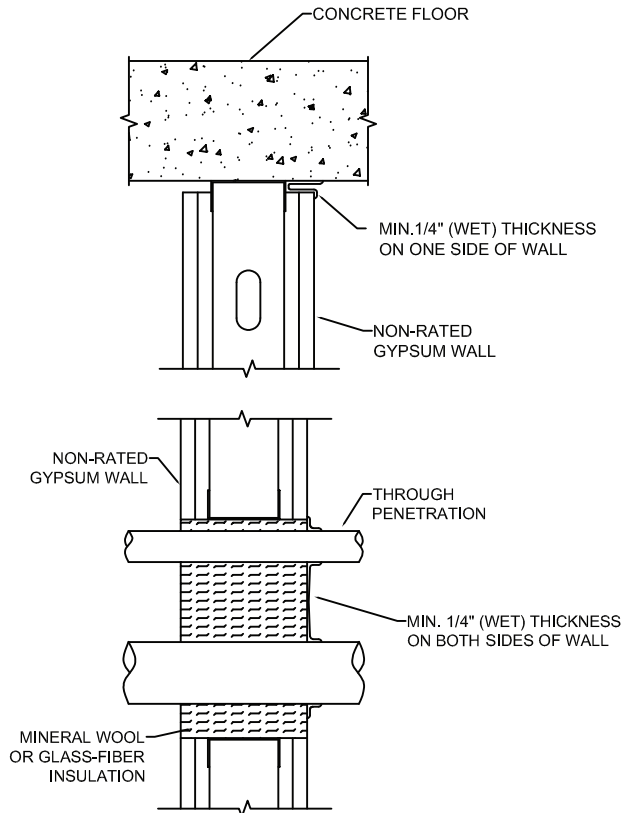
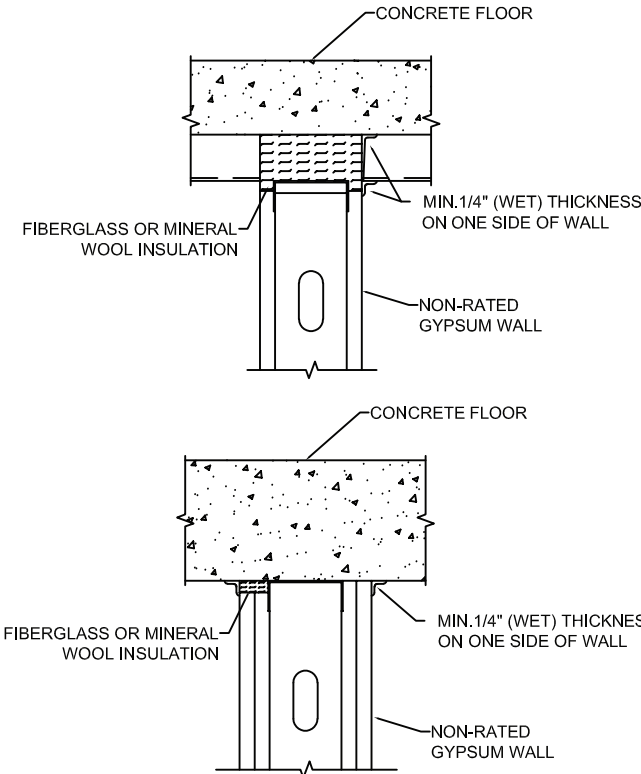
Spray Installation Examples:

Drawings of Non Fire-rated Smoke Partitions

TWO-SIDED APPLICATIONS:



ONE-SIDED APPLICATIONS:





PRODUCT DATA SHEET

METACAULK® SAS 90 - Smoke & Acoustic

Technical Data (Typical Physical Properties):

Chemistry:	Acrylic Polymer	ASTM-E90:	Tested to ASTM-E90 "Standard Test Method for Laboratory Measurement of Airborne Sound Transmission Loss of Building Partitions and Elements" STC rating 52
Odor:	Low acrylic odor	ASTM-C919:	Tested ASTM-C919 "Standard Practice for Use of Sealants in Acoustical Applications"
Uncured State:	Glossy paste	ASTM-C834:	Meets ASTM-C834, Type OP, Grade 0°C "Standard Specification for Latex Sealants"
Application Temp:	60°F to 90°F (16°C to 32°C)	ASTM-E84:	Tested to "Standard Test Method for Surface Burning Characteristics of Building Materials" Flame Spread: 20; Smoke Developed: 5
Tooling Time:	10 - 15 minutes	ASTM-G21:	Tested to ASTM-G21 "Standard Practice for Determining Resistance of Synthetic Polymeric Materials to Fungi" 28 days
Drying Time:	Tack-free: 2 hours; Dry-through: 24 - 48 hours	LEED v4 Emissions:	Tested to CDPH Standard Method / CA Section 01350 Emissions Testing
Full Cure Time:	3 - 7 days	Freeze/Thaw Capabilities:	Excellent - 5 cycles
Shelf Life:	Caulk — 2 years Spray — 12 months	Movement Capabilities:	Remains Flexible
Cured State:	Rubbery solid	Density/Weight; Solids Content by Weight and Volume:	Caulk — 13.5lb/gal; 83.6%; 70.4% Spray — 11.5 lb/gal; 76.8%; 68.7%
V.O.C Content:	23.3 g/l	Service Temperature:	< 185°F (85°C)
Coverage:	Caulk — 3/8" bead = 1.36ft/fl oz; 1/4" bead - 3.07ft/fl oz Spray — 12.8 sq. ft./gal @ 1/8"	Storage Temperature:	Caulk — 32°F - 120°F (0°C to 49°C) Spray — 40°F - 95°F (4.4°C to 35°C)
pH:	8 to 9	Paintability:	Paintable with latex paint after 2 hours; with oil-based paint after 24+ hours
Color:	White	*Curing conditions of 75°F (24°C) and 50% relative humidity	

Technical Services:

Balco representatives are available to assist you in selecting the sealant or adhesive appropriate for your application. For additional technical information, call 1-800-767-0082 or go to www.balcousa.com.

Limited Warranty:

Balco, Inc. warrants our products to be free from defects, provided the instructions for storage and handling of said products are followed. THIS LIMITED WARRANTY IS IN LIEU OF ANY EXPRESS OR IMPLIED WARRANTIES, INCLUDING ANY IMPLIED WARRANTY OF MERCHANTABILITY OR FITNESS FOR A PARTICULAR PURPOSE, AND OF ANY OTHER OBLIGATION ON THE PART OF BALCO, INC. The sole remedy for breach of the Limited Warranty shall be the refund of the purchase price. All other liability is negated and disclaimed, and Balco, Inc. shall not be liable for incidental or consequential damages.



PRODUCT DATA SHEET

METACALK® SAS 90 - Smoke & Acoustic

Cautions:



WARNING: SUSPECTED OF CAUSING CANCER. Wear protective gloves. Wear eye or face protection. Wash hands thoroughly after handling. **IF ON SKIN:** Wash with soap and water. Remove contaminated clothing, washing before reuse. If skin irritation occurs: Get medical attention. **IF IN EYES:** Rinse cautiously with water. Remove contact lenses if present and easy to do. Continue rinsing. If eye irritation persists: Get medical attention. **IF INGESTED:** Wash mouth with water. Remove victim to fresh air. Give small quantities of water to drink. Do not induce vomiting. Store locked up. Dispose of contents in accordance with all local, regional, national, and international regulations.



WARNING: This product can expose you to chemicals including Titanium Dioxide, which is known to the state of California to cause cancer. For more information go to www.P65Warnings.gov



Balco, Inc. 2626 S Sheridan, Wichita, Kansas 67217 316.945.9328 | 800.767.0082 balcousa.com

A CSW Industrials Company. Balco, the logos and other trademarks are property of Balco, Inc., its affiliates or its licensors and are protected by copyright, trademark and other intellectual property laws, and may not be used without permission. Balco, Inc. reserves the right to change specifications without prior notice.
©Balco, Inc. All rights reserved. B50124-0222