



It's not magic, it's engineering.®

Impact and Airborne Sound Control

GENIECLIP®

Sound Isolation Clips



GENIECLIP®

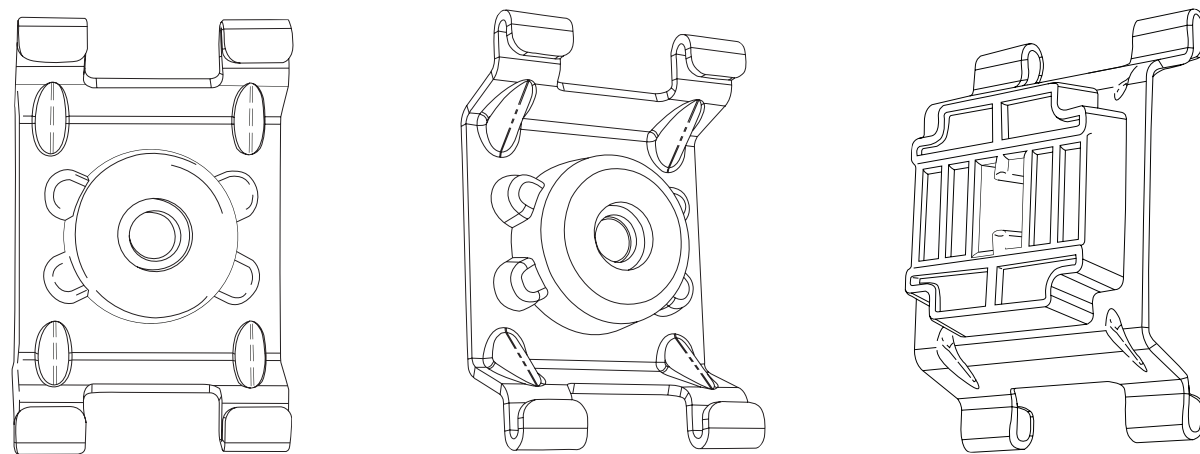
Innovative and reliable sound isolation

PRODUCT OVERVIEW

Engineered for superior acoustical performance in reducing the transmission of airborne and impact sound through wall and floor-ceiling assemblies.

The **GenieClip RST** is a unibody molded rubber and galvanized steel mount used to attach gypsum wallboard (GWB) to either wall or floor-ceiling assemblies. Made from recycled components, and engineered to allow reduction in assembly weight, the **GenieClip** contributes to LEED® certified buildings.

The **GenieClip RST** is easy and fast to install using standard steel furring channel, and is extremely stable when held in place with a single fastener. There is nothing to adjust or site fit. The furring channel is simply snapped into the **GenieClip RST** and the gypsum wallboard can be immediately installed.



GenieClip RST Patents: US 7895803, US 9121469, CA 2552516, AU 2007276677, CN ZL200780034674.1, SG 149449, EU Patent Pending

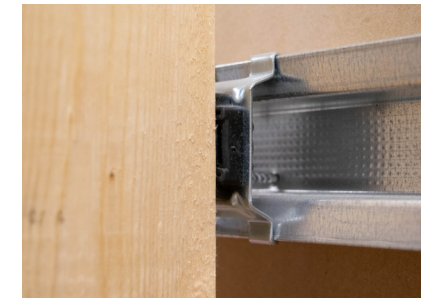
ENGINEERED TO WORK



Only one screw required to attach **GenieClip® RST** to wood or metal wall studs or floor joists

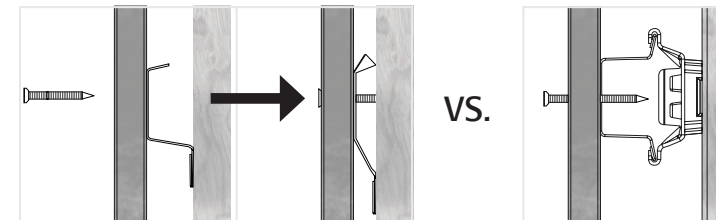


Engage standard 25 gauge drywall furring channel into either claw, then squeeze channel to engage the claw



GenieClip RST video:
<https://www.youtube.com/watch?v=C1y7ETzty50>

ENGINEERED TO BE FOOLPROOF



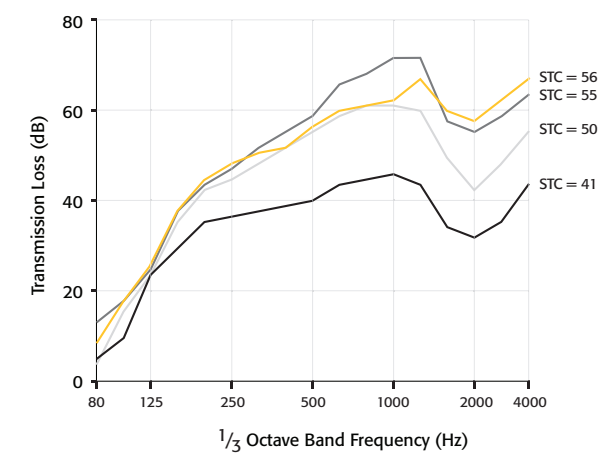
Resilient Channel Crushed

GenieClip RST

Resilient channel is commonly short circuited, whereas the **GenieClip RST** is impossible to short circuit.

ENGINEERED TO REDUCE SOUND TRANSMISSION

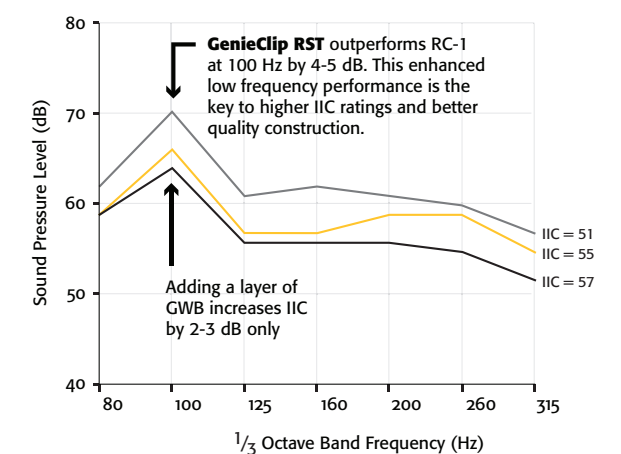
LOW FREQUENCY PERFORMANCE



■ **GenieClip RST** (STC = 56)
■ RC-1 (STC = 55)
■ Double Stud (STC = 50)
■ Direct Attach (STC = 41)

* 3 5/8" metal stud wall, 1 layer of GWB on each side

WOOD TRUSS IIC COMPARISON

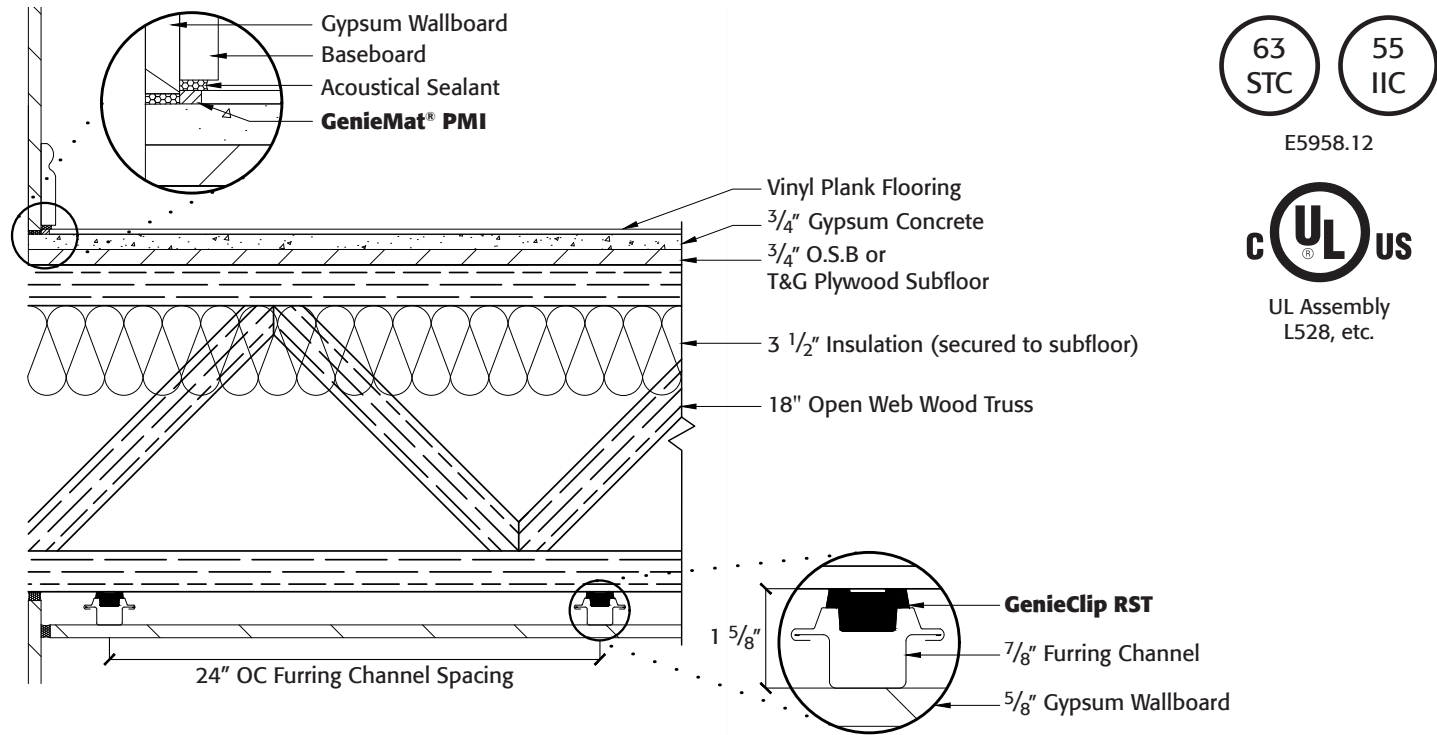


■ RC-1 (IIC = 51)
■ **GenieClip RST** with single layer GWB (IIC = 55)
■ **GenieClip RST** with double layer GWB (IIC = 57)

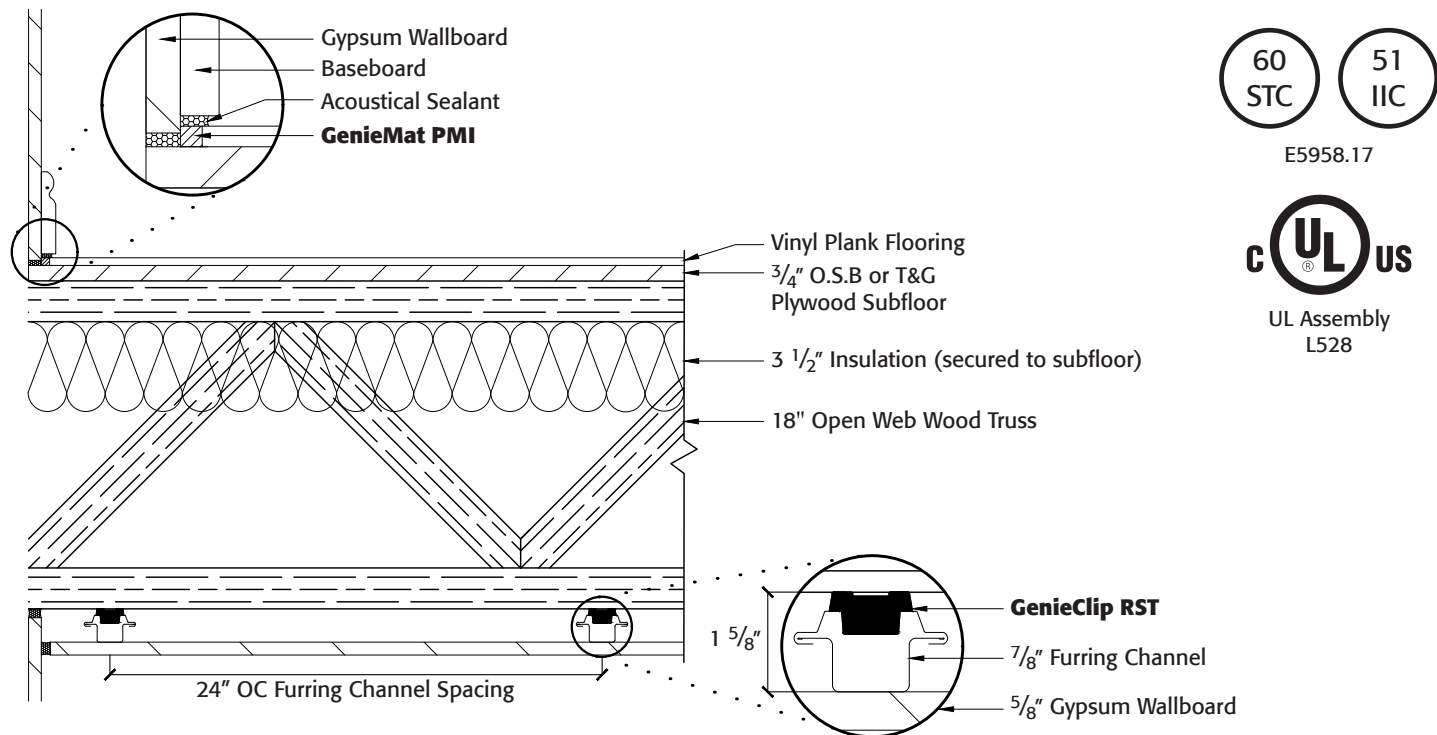
FLOOR-CEILING ASSEMBLIES

OPEN-WEB WOOD TRUSSES

Wood Truss with GenieClip® RST and Gypsum Concrete



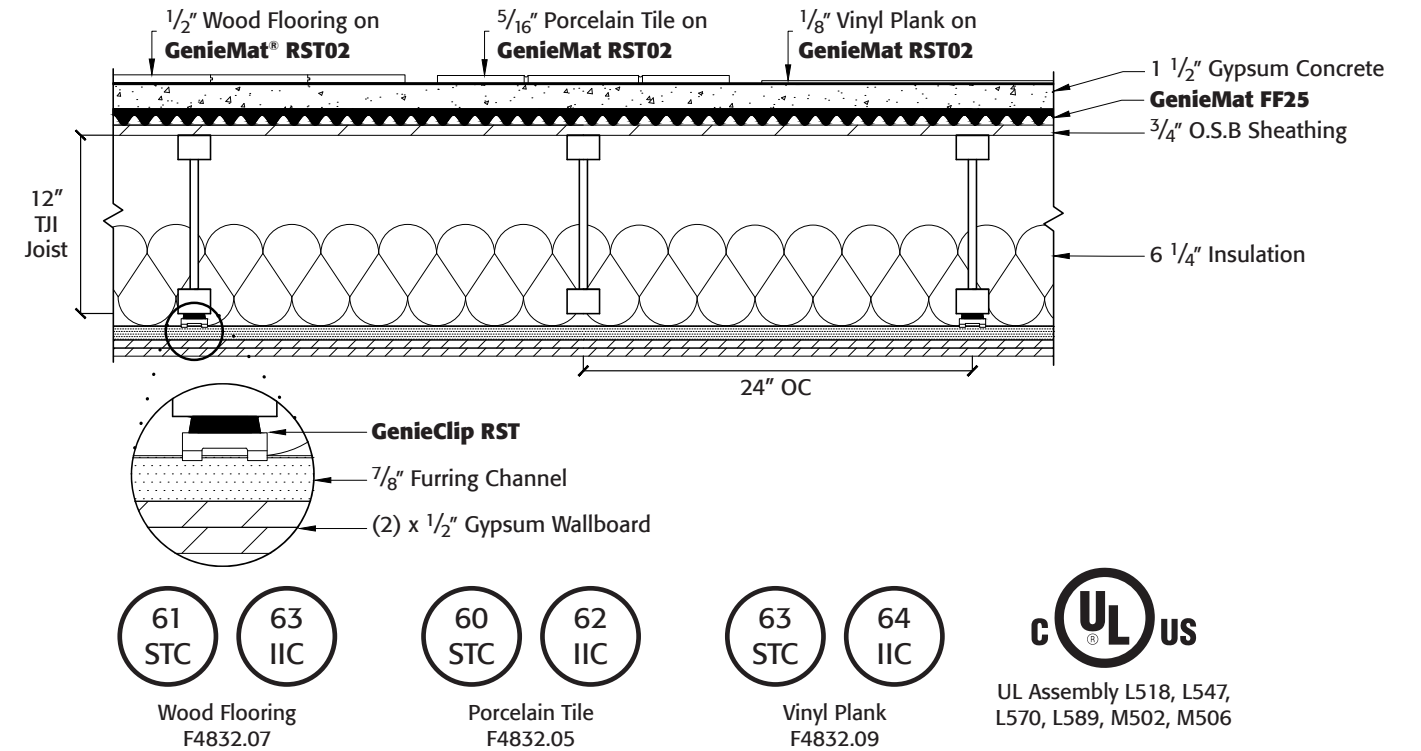
Wood Truss with GenieClip RST and NO Gypsum Concrete



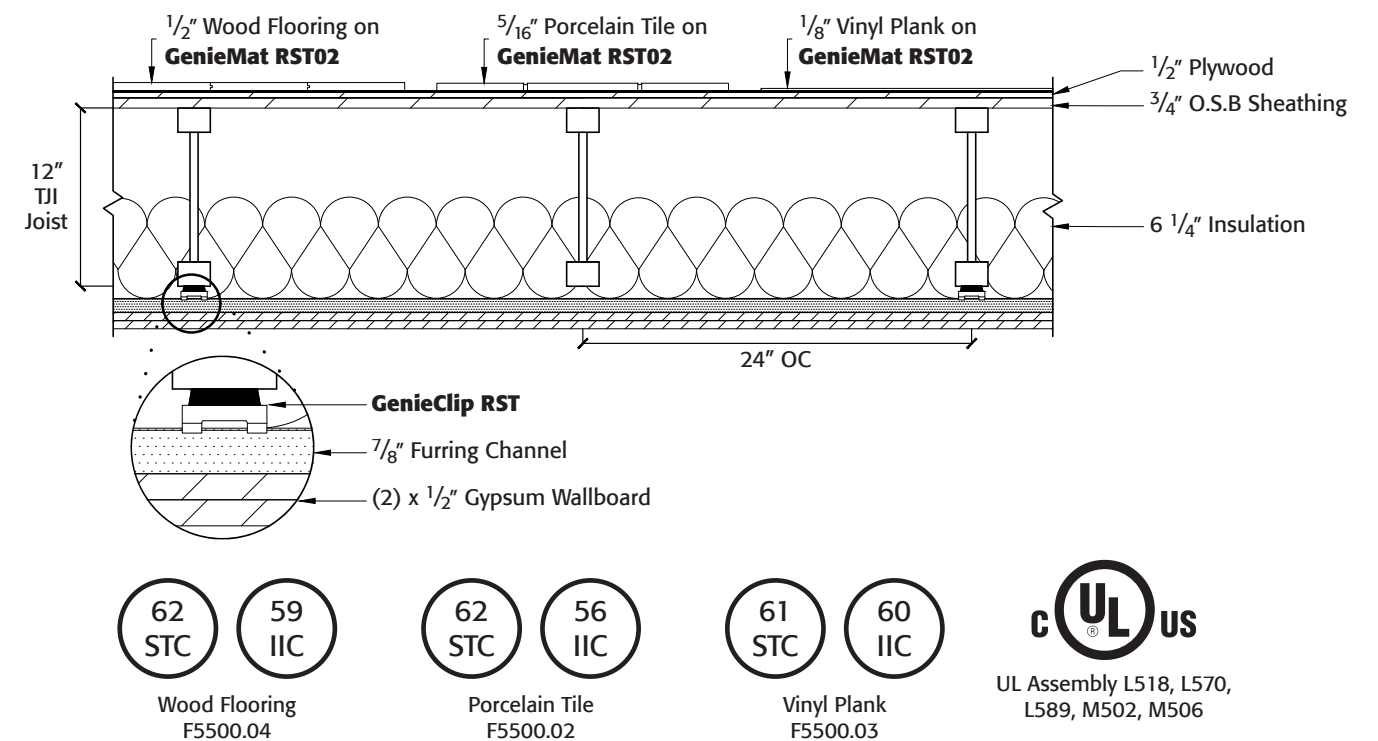
FLOOR-CEILING ASSEMBLIES

ENGINEERED JOISTS

TJI Floor Joist with GenieClip® RST and Gypsum Concrete



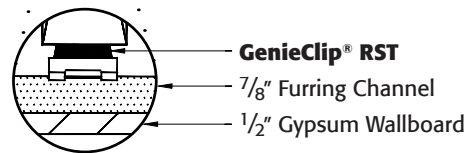
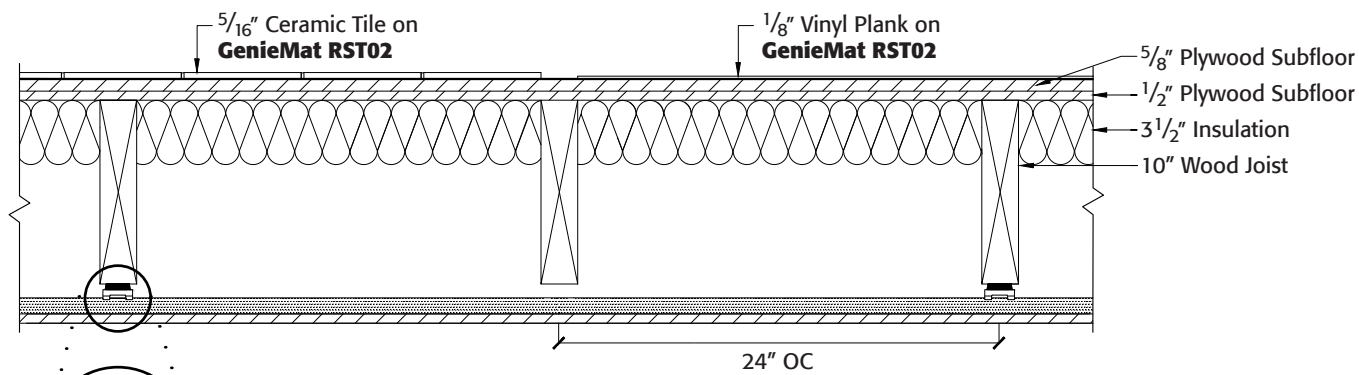
TJI Floor Joist with GenieClip RST and NO Gypsum Concrete



FLOOR-CEILING ASSEMBLIES

SOLID WOOD 2 X 10 JOIST

Solid Joist with NO Gypsum Concrete



58
STC

52
IIC

Ceramic Tile
5013136 7013208

55
STC

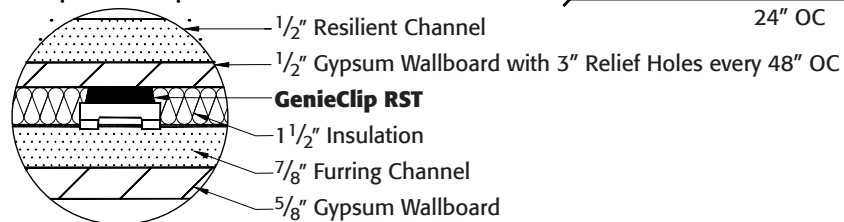
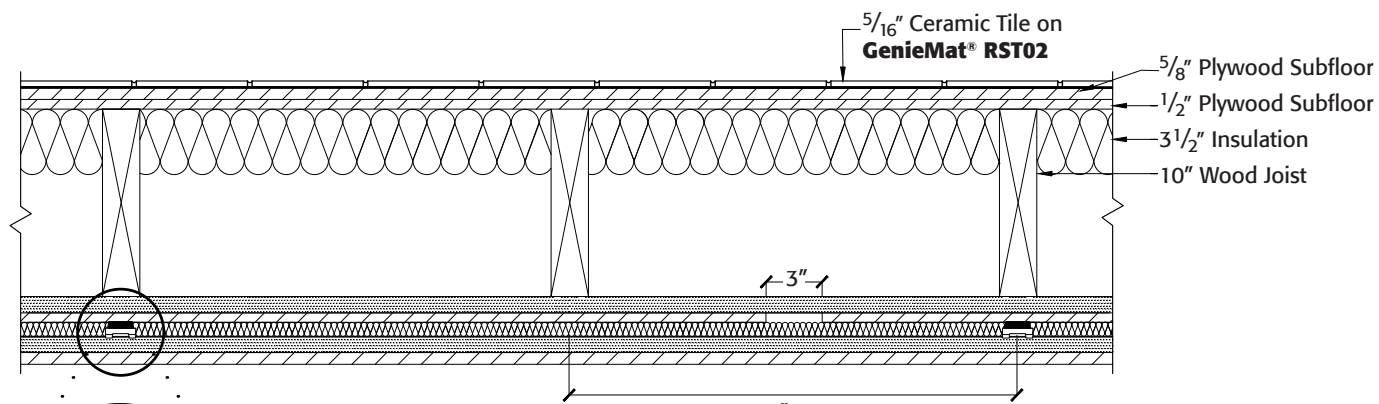
50
IIC

Vinyl Plank
5013143 7013216



UL Assembly
L502

Solid Joist Retrofit Ceiling



60
STC

50
IIC

Ceramic Tile
5013119

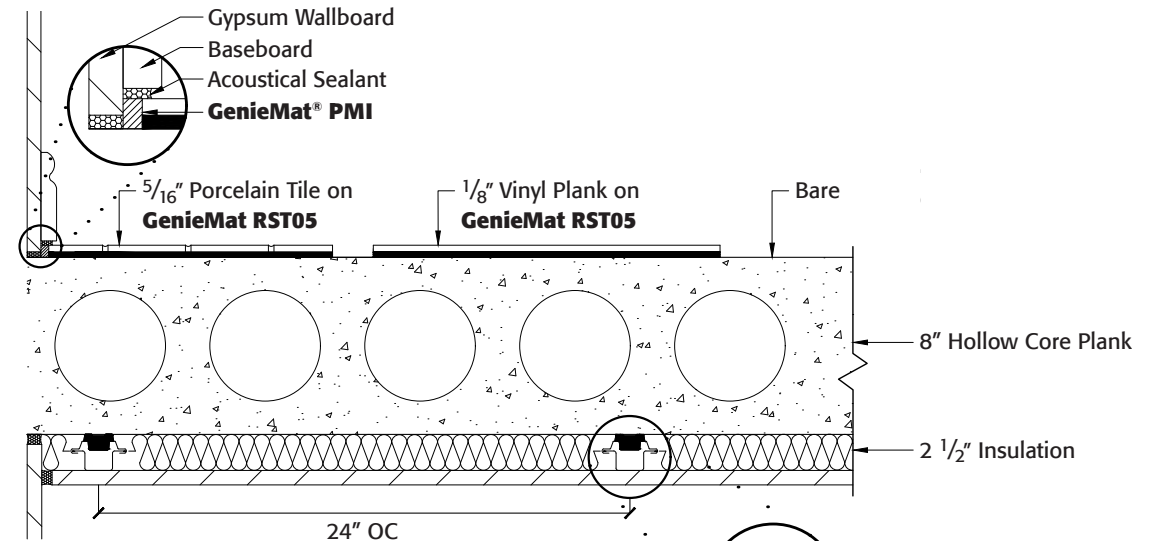


UL Assembly
L502

FLOOR-CEILING ASSEMBLIES

HOLLOW CORE PLANK

8" Hollow Core Plank



58
STC

59
IIC

Porcelain Tile
F0223.08

60
STC

58
IIC

Vinyl Plank
F0223.05

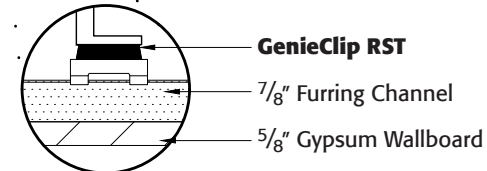
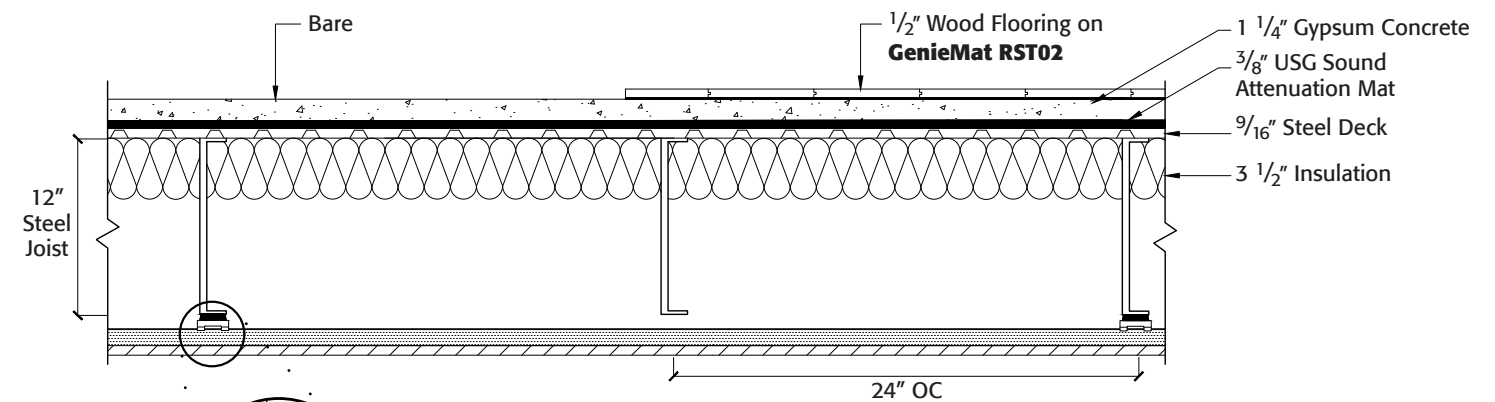
60
STC

55
IIC

Bare
F0223.06

STEEL FLOOR SYSTEMS

Steel Deck and Joist System



59
STC

52
IIC

Bare
F2761.04

58
STC

62
IIC

Wood Flooring
F2761.05

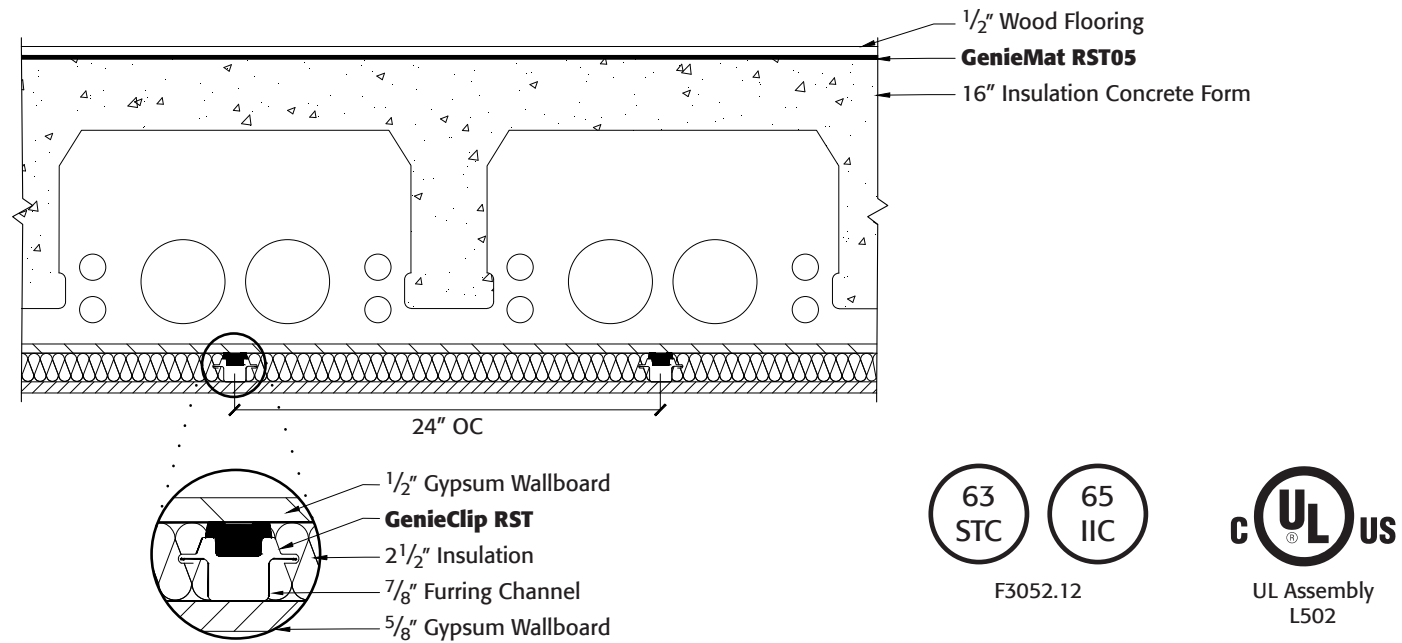


UL Assembly
G551

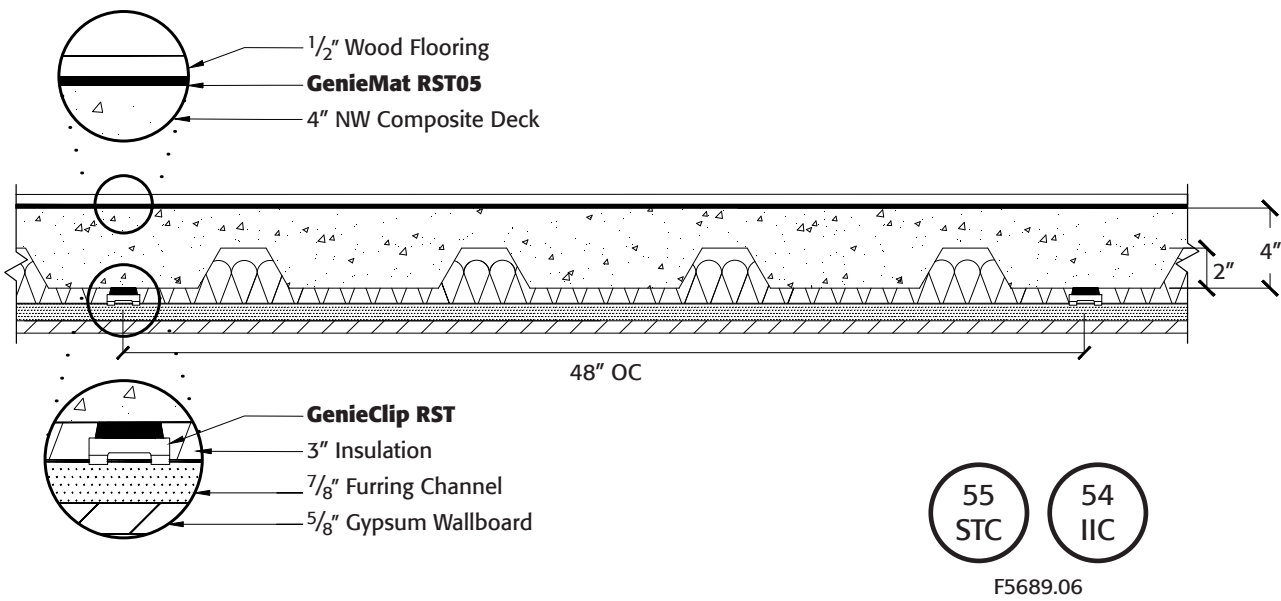
FLOOR-CEILING ASSEMBLIES

COMPOSITE FLOOR SYSTEMS

16" Insulated Concrete Form



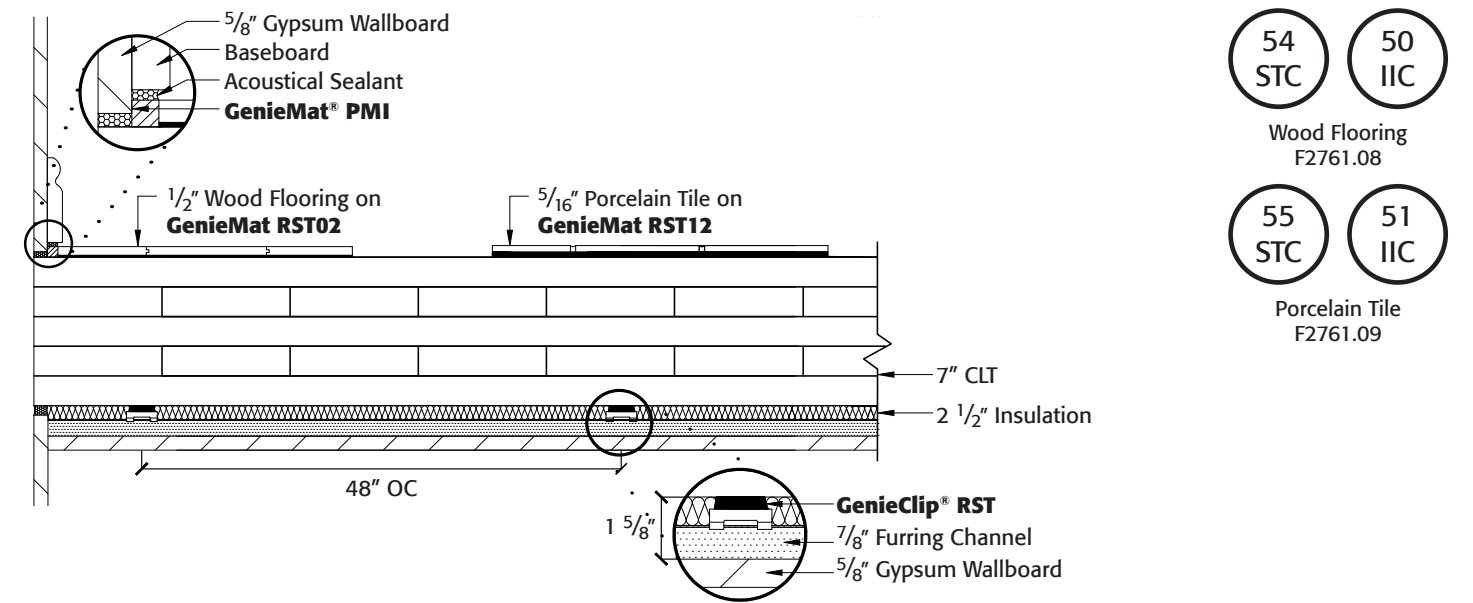
4" Normal Weight Composite Deck



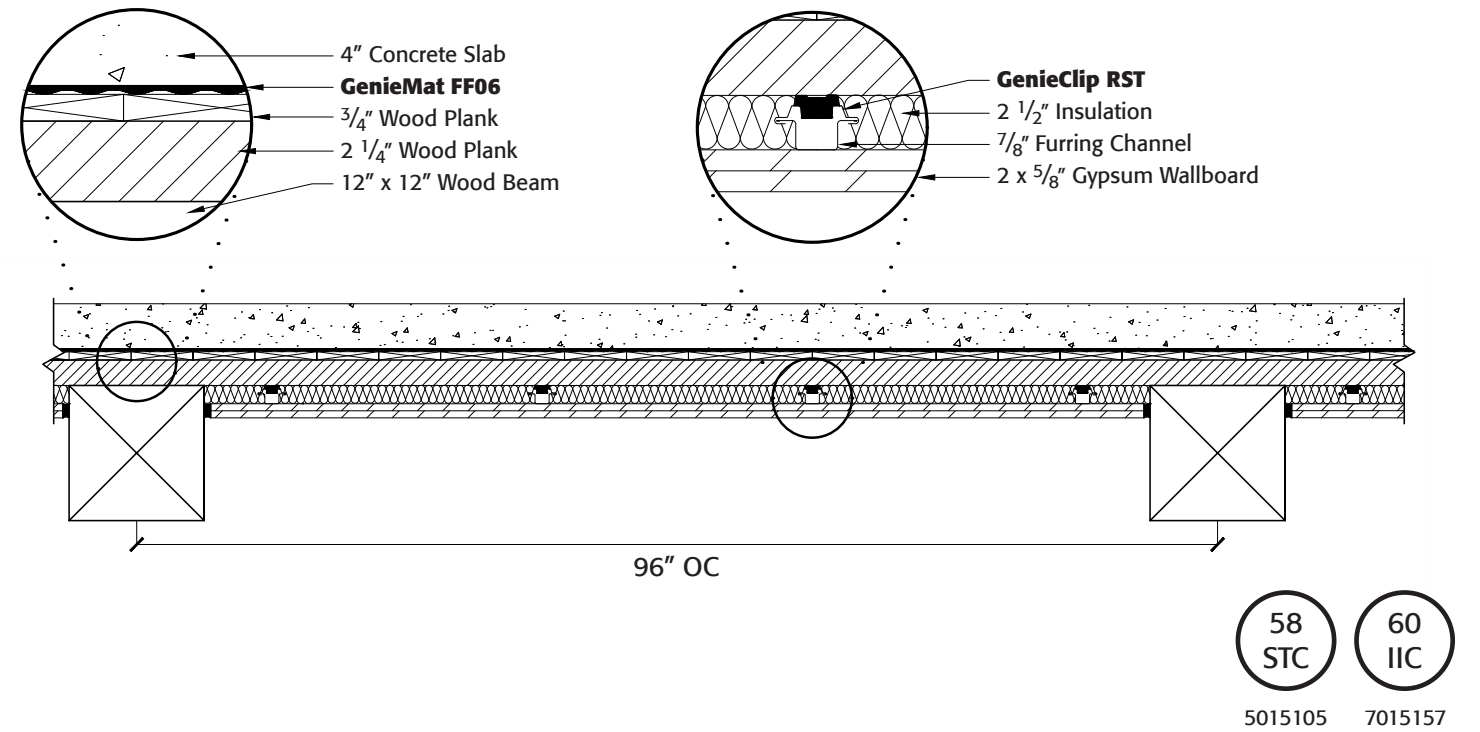
FLOOR-CEILING ASSEMBLIES

TIMBER FLOORS

Cross Laminated Timber



Wood Beam and Plank



GENIECLIP® LB



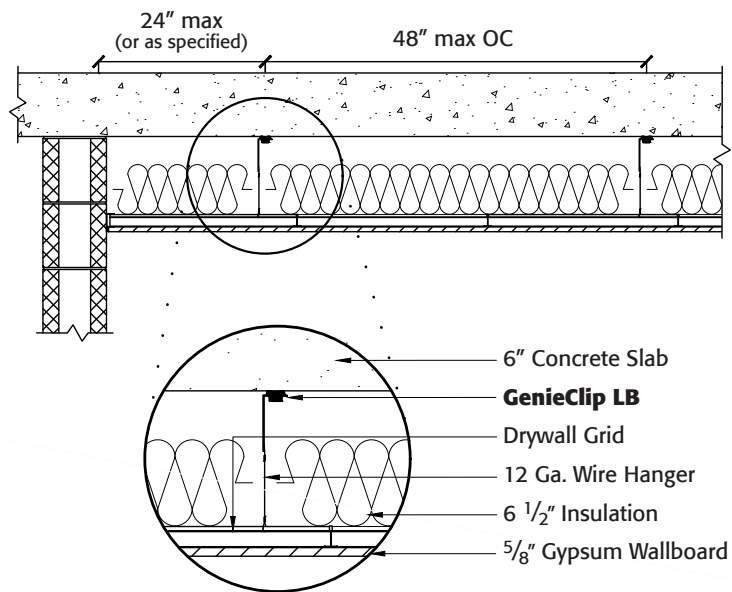
Resilient sound isolation bracket used in a variety of applications where structural support is required, including wall sway bracing, ceiling suspension, and accessory mounting.

Significantly improves low and high frequency sound control performance. Substantially reduces impact noise in floor-ceiling assemblies. Adaptable to a variety of sound control applications.

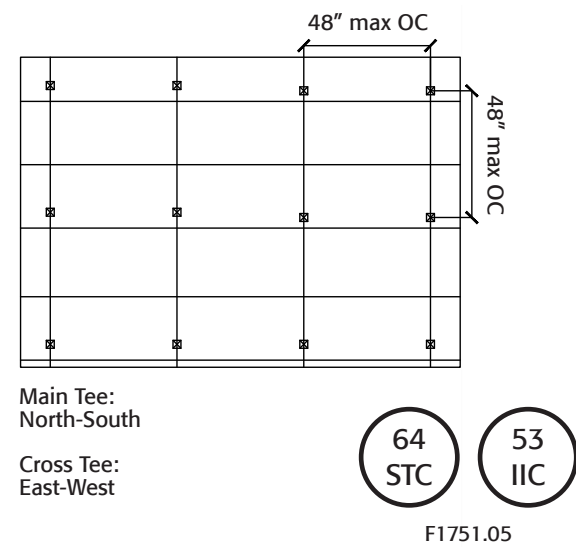
Can be installed from the ground using extended gas-powered tools for wire-suspended ceilings.

Isolated Wire Suspended Ceilings

PROFILE VIEW



PLAN VIEW



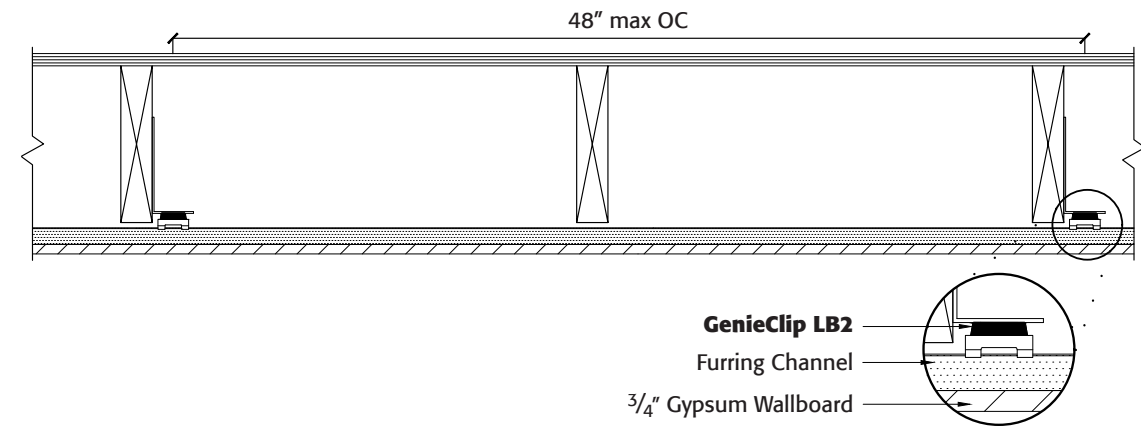
GENIECLIP® LB2



Resilient sound isolation clip with extended steel bracket used as a stand-alone system or in conjunction with a **GenieClip RST** wall or ceiling system. Extends or reduces the profile space between the gypsum wallboard layer and floor joists or wall studs and provides support at the wall termination of furring channels.

Improves low and high frequency sound control performance. Reduces impact noise in floor-ceiling assemblies. Allows for thinner and even no resilient mat used in certain floor-ceiling assemblies.

Levelling a Wood Joist Ceiling



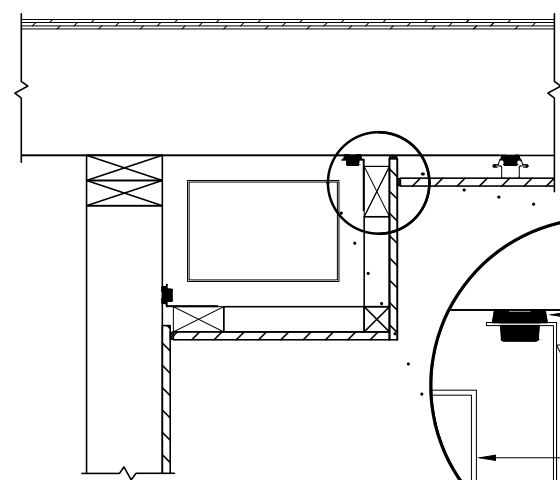
GENIECLIP C3



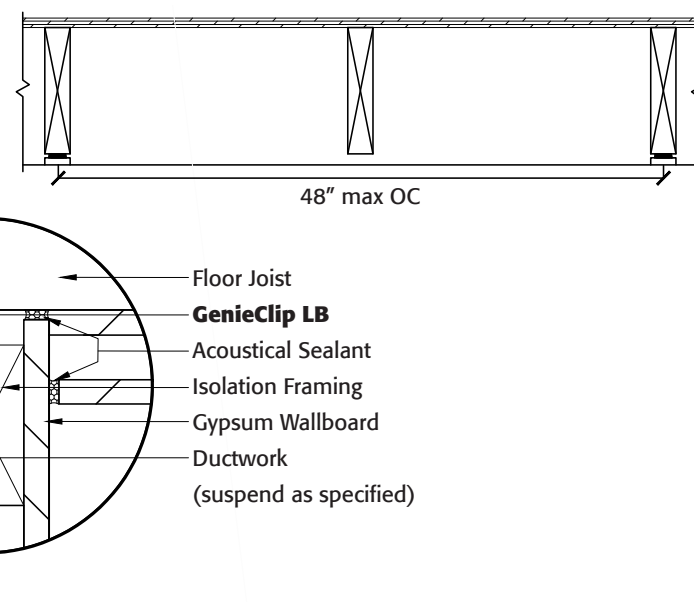
Ideal for use with threaded rod (black iron) suspended ceilings or when wire isolation cannot be achieved at the structural deck interface.

Isolated Framing for Bulkhead Mounting

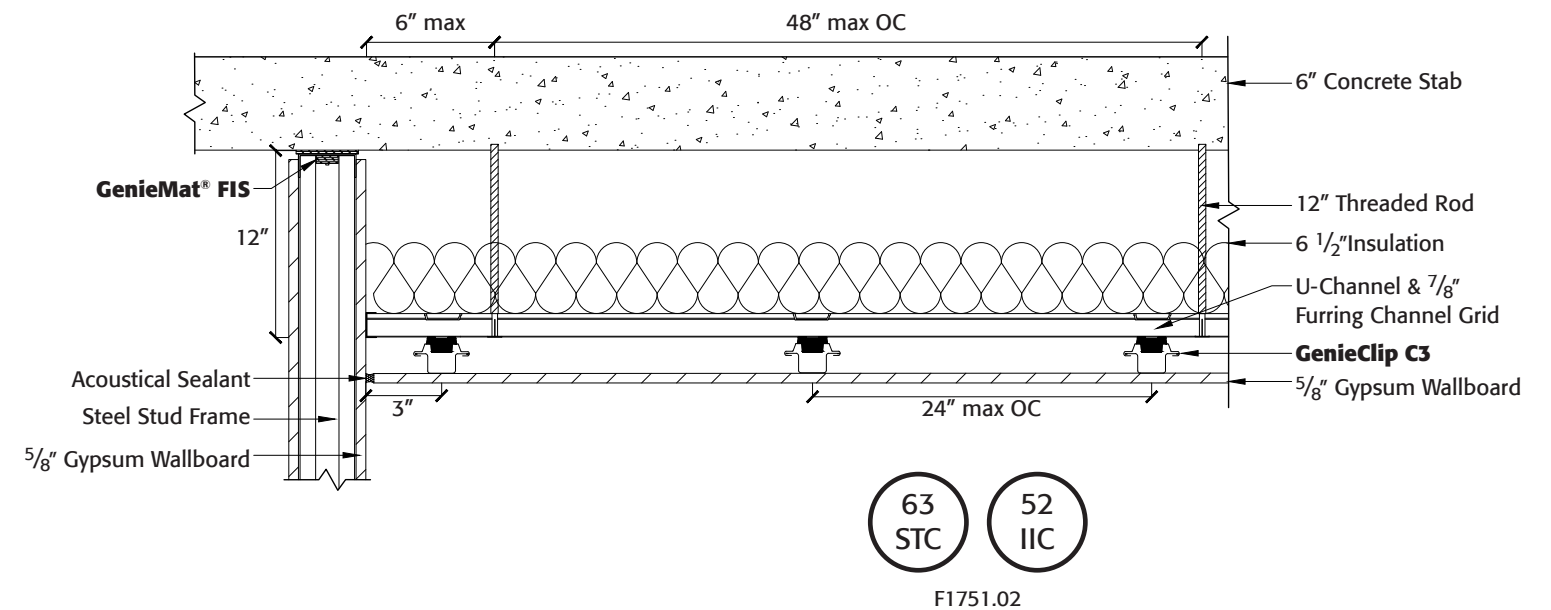
PROFILE VIEW



FRONT VIEW



Isolation of Threaded Rod Ceiling



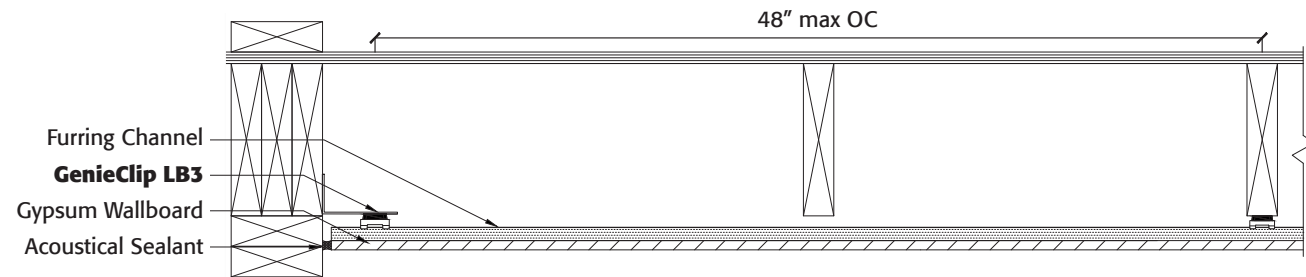
GENIECLIP® LB3



Resilient sound isolation clip with extended steel bracket used as a stand-alone system or in conjunction with a **GenieClip RST** wall or ceiling system. Extends or reduces the profile space between the gypsum wallboard layer and floor joists or wall studs and provides support at the wall termination of furring channels.

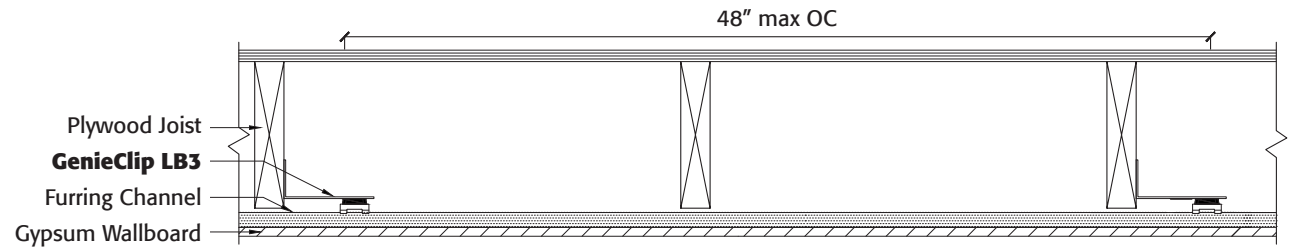
Improves low and high frequency sound control performance. Reduces impact noise in floor-ceiling assemblies. Allows for thinner and even no resilient mat used in certain floor-ceiling assemblies.

Eliminate Perimeter Blocking

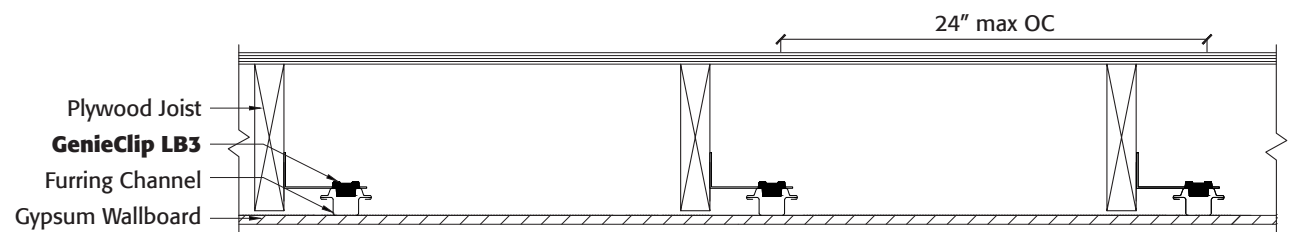


Using the **GenieClip LB3** at the perimeter of an isolated ceiling can eliminate the need for additional wood blocking.

Maximize Ceiling Height



To maximize ceiling height, use the **GenieClip LB3** side-mounted on wood frame construction.



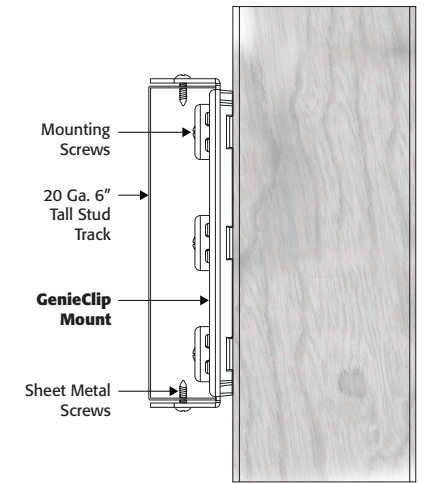
By installing the furring channel parallel to the joist, the **GenieClip LB3** can maximize ceiling height while maintaining isolation.

GENIECLIP® MOUNT

RESILIENT SOUND ISOLATION CLIP FOR HEAVY MOUNTING

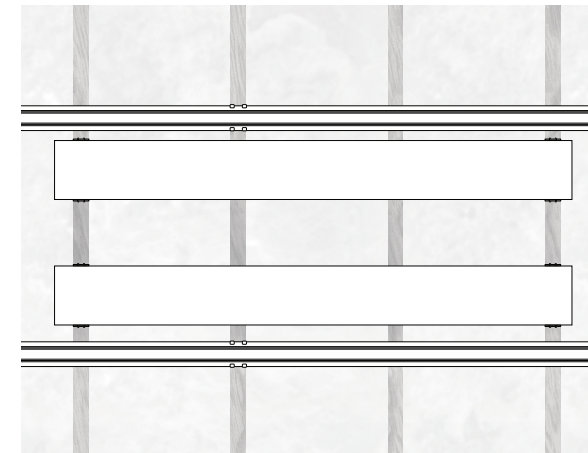
The **GenieClip Mount** is a resilient unibody molded rubber and steel bracket used for sound isolation in a variety of applications where superior structural support is required for installation, such as TVs, kitchen cabinets, headboards, garage door openers, various medical equipment, and handrails.

The **GenieClip Mount** supports, in shear and tension, a piece of 6" metal stud track at the same depth as the resiliently isolated drywall furring channel.

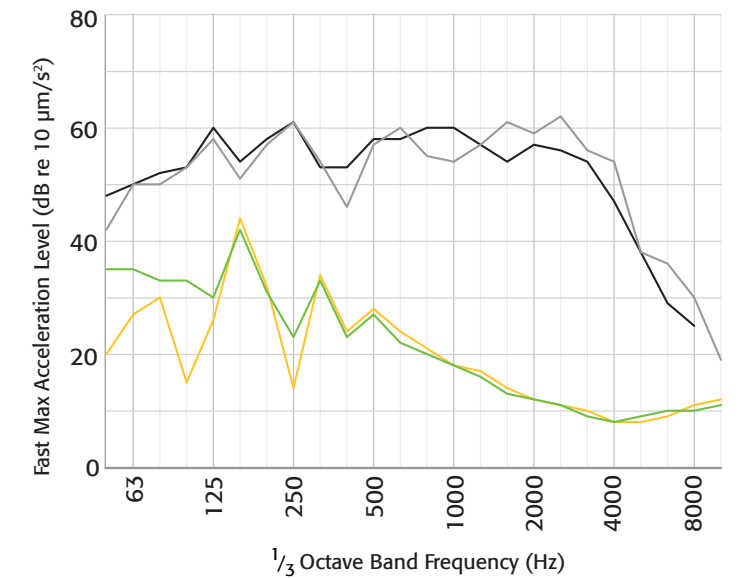


ADVANTAGES

Significantly improves low and high frequency sound control performance. Substantially reduces impact noise from fixtures mounted on walls and ceilings. Easily fastens to standard 6" metal stud track.



Front view of installed **GenieClip Mount** and metal stud track.



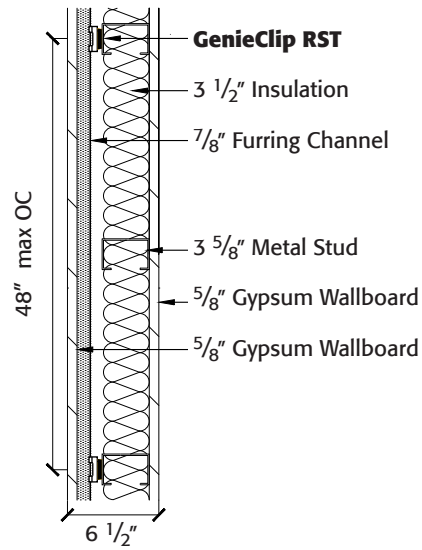
- Accelerometer 1 directly attached to drywall at stud (62 dBA)
- Accelerometer 2 directly attached to drywall between studs (64 dBA)
- GenieClip Mount** assembly. Accelerometer 1 directly attached to drywall at stud (29 dBA)
- GenieClip Mount** assembly. Accelerometer 2 directly attached to drywall between studs (27 dBA)

Vibration level on receiver room side of wall due to kitchen cabinet door slams with and without **GenieClip Mounts**.

WALL ASSEMBLIES

METAL STUD

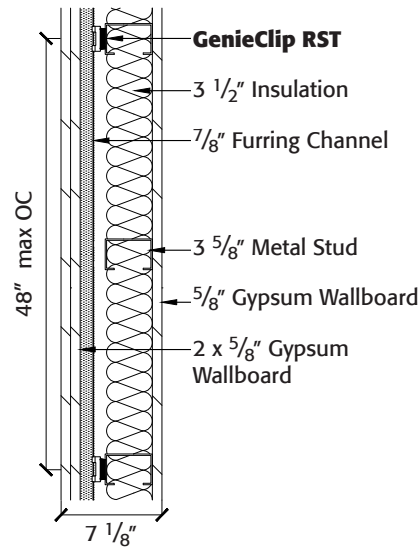
GenieClip® RST with 2 Layers



56
STC

UL Assembly
U419, U423

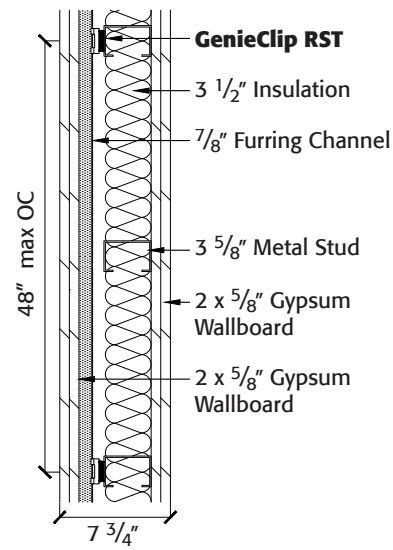
GenieClip RST with 3 Layers



60
STC

UL Assembly
U419, U423

GenieClip RST with 4 Layers



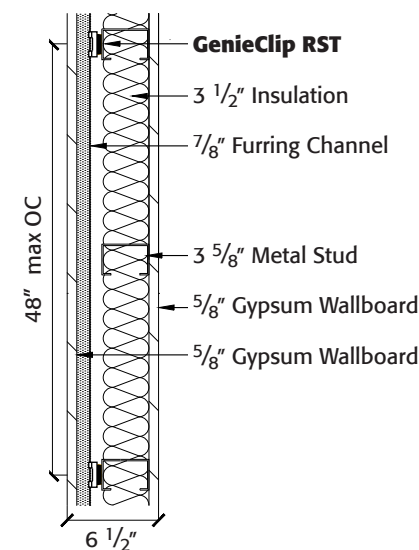
64
STC

UL Assembly
U419, U423

WALL ASSEMBLIES

ENGINEERED PARTITIONS

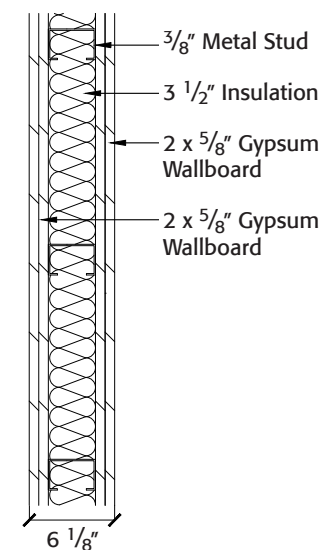
NEW WAY with GenieClip® RST



56
STC

UL Assembly
U419, U423

OLD WAY with 4 Layers

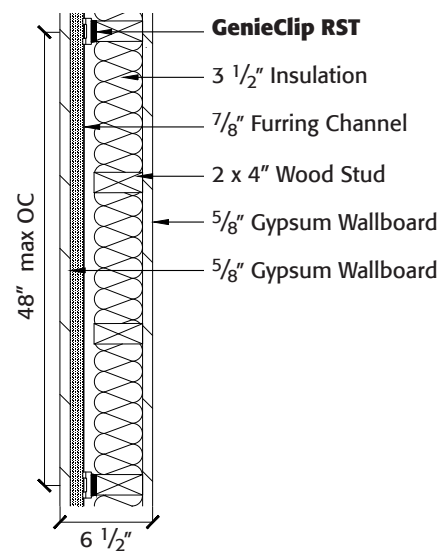


49
STC

UL Assembly
U419, U423

WOOD STUD

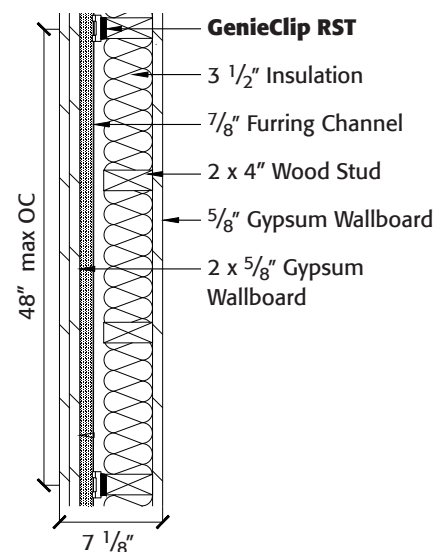
GenieClip RST with 2 Layers



57
STC

UL Assembly
U305

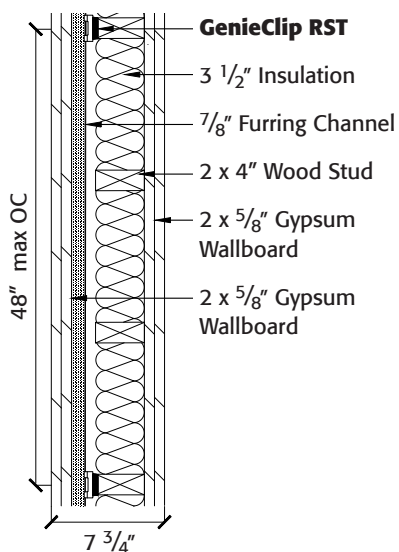
GenieClip RST with 3 Layers



61
STC

UL Assembly
U305

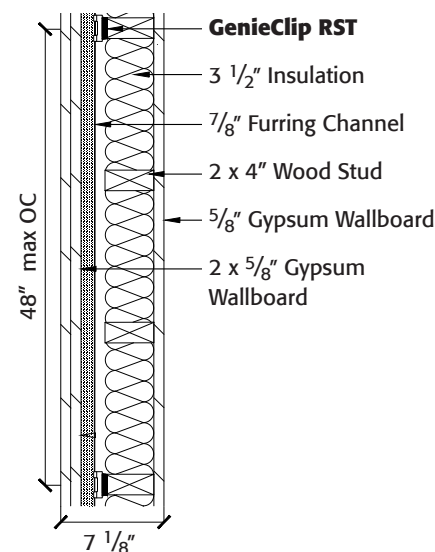
GenieClip RST with 4 Layers



64
STC

UL Assembly
U305

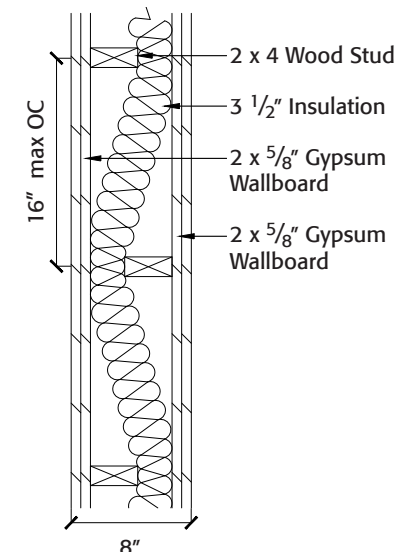
NEW WAY with GenieClip RST



61
STC

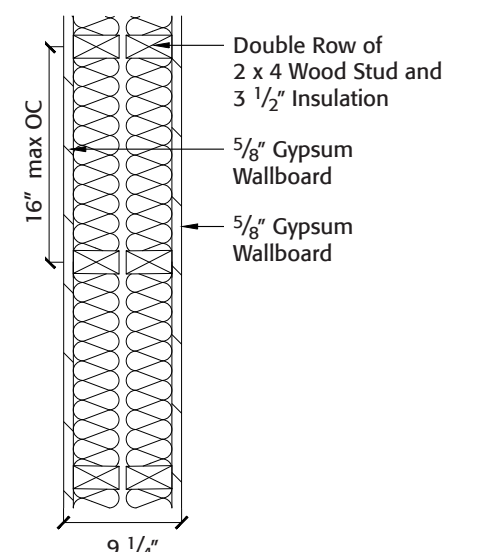
UL Assembly
U305

OLD WAY with Staggered or Double Studs (Metal or Wood)



47
STC

UL Assembly
U340



61
STC

UL Assembly
U341

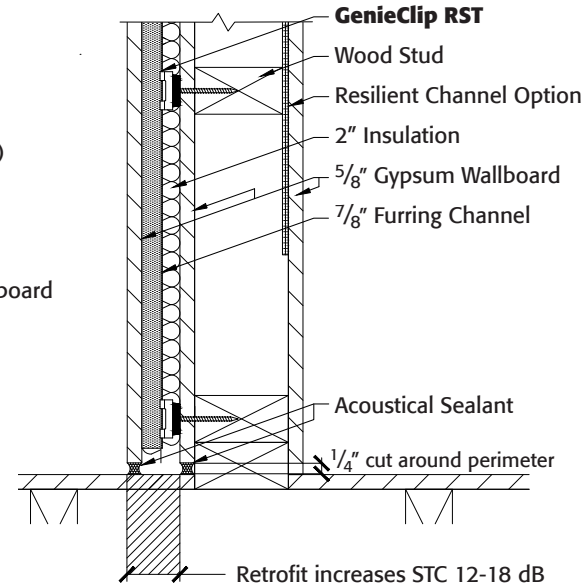
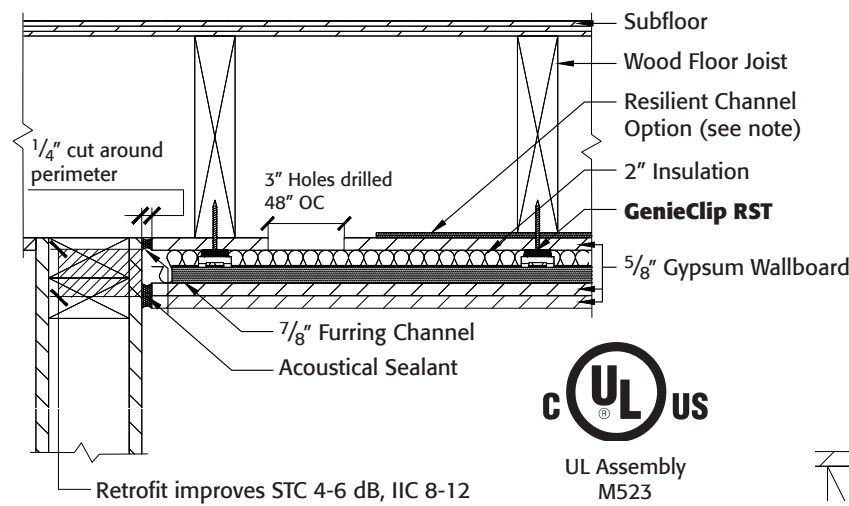
RETROFIT ASSEMBLIES

GENIECLIP® BENEFITS

- Increase IIC by 8-12 points in floor ceiling retrofit assemblies
- Increase STC by 12-18 points in wall retrofit assemblies
- Retrofit directly to existing ceiling or wall
- Greater STC than other popular retrofit solutions

Floor-Ceiling Assembly

Wall Assembly



Note: Resilient channel failure is a common observation by Acoustical Engineers. Short circuited resilient channel results in up to a 10 STC point reduction.

LoVerde, J., & Dong, W. (2009). Quantitative comparisons of resilient channel designs and installation methods.

THE GENIECLIP IS PROVEN TO:

- Meet building codes for fire and sound
- Prevent costly litigation and reconstruction

IMPORTANCE OF ENGINEERED ELASTOMER

ISOLATION CLIP	DUROMETER	DYNAMIC STIFFNESS	STC*
GenieClip RST	37	11.3 N/mm	57
Isomax™	56	21.6 N/mm	57**
RSIC-1®	57	21.2 N/mm	56
RSIC-V®	No Rubber	No Rubber	52

*2x4 wood stud 16" OC, 1 layer of 5/8" Type X GWB on each side with 3 1/2" insulation

** Test conducted with 5 1/2" insulation

TEST RESULTS

FLOOR-CEILING ASSEMBLIES							
TEST REPORT NUMBER	CEILING TYPE	STRUCTURE	FINISH FLOOR	UNDERLAYMENT	SUBFLOOR	STC RATING (ASTM E90)	IIC RATING (ASTM E492)
G0535.08	1/2" RC Deluxe®, 5/8" GWB Type C	Open Web Truss	Vinyl Plank	GenieMat® RST02PS	3/4" Gypsum, 3/4" OSB	60	50
G0535.09	GenieClip® RST , 5/8" GWB Type C	Open Web Truss	Vinyl Plank	GenieMat RST02PS	3/4" Gypsum, 3/4" OSB	63	59
G1707.07	GenieClip RST , 5/8" GWB Type C	Open Web Truss	Porcelain Tile	GenieMat RST02PS	3/4" Gypsum, 3/4" OSB	62	54
G1707.08	GenieClip RST , 5/8" GWB Type C	Open Web Truss	Wood	GenieMat FF06	3/4" Gypsum, 3/4" OSB	62	60
E5958.16	GenieClip RST , 5/8" GWB Type C	Open Web Truss	Vinyl Plank	GenieMat RST05	3/4" OSB	60	55
E5958.17	GenieClip RST , 5/8" GWB Type C	Open Web Truss	Vinyl Plank	None	3/4" OSB	60	51
F4832.12	GenieClip RST , 2x 1/2" GWB Type C	Engineered Joist	None	None	1 1/2" Gypsum, GenieMat FF25 , 3/4" OSB	61	59
F4832.14	GenieClip RST , 2x 1/2" GWB Type C	Engineered Joist	Wood	GenieMat RST02	1/2" Plywood, 3/4" OSB	58	61
F4832.18	GenieClip RST , 2x 1/2" GWB Type C	Engineered Joist	Porcelain Tile	GenieMat RST02	1/2" Plywood, 3/4" OSB	59	55
F5500.03	GenieClip RST , 2x 1/2" GWB Type C	Engineered Joist	Vinyl Plank	GenieMat RST02	1/2" Plywood, 3/4" OSB	61	60
F5500.05	GenieClip RST , 2x 1/2" GWB Type C	Engineered Joist	Carpet	None	1/2" Plywood, 3/4" OSB	61	82
5013136 7013208	GenieClip RST , 1/2" GWB Type C	2x10 Solid Wood Joist	Ceramic Tile	GenieMat RST02	5/8" Plywood, 1/2" Plywood	58	52
5013143 7013216	GenieClip RST , 1/2" GWB Type C	2x10 Solid Wood Joist	Vinyl Plank	GenieMat RST02	5/8" Plywood, 1/2" Plywood	55	50
5013119 7013183	GenieClip RST Retrofit	2x10 Solid Wood Joist	Ceramic Tile	GenieMat RST02	5/8" Plywood, 1/2" Plywood	60	50
5014139 7014190	GenieClip RST , 1/2" GWB Type C	2x10 Solid Wood Joist	None	GenieMat RST02	3/4" Gypsum, GenieMat FF06 , 5/8" Plywood	59	52

* RC Deluxe is a brand of resilient bar

TEST RESULTS

FLOOR-CEILING ASSEMBLIES							
TEST REPORT NUMBER	CEILING TYPE	STRUCTURE	FINISH FLOOR	UNDERLAYMENT	SUBFLOOR	STC RATING (ASTM E90)	IIC RATING (ASTM E492)
E5958.05	6" Drop Ceiling, GenieClip® LB , 5/8" GWB Type X	7" CLT	None	None	2x 11/16" AdvanTech Wood Subfloor, GenieMat® FF25	61	55
E5958.07	12" Drop Ceiling, GenieClip LB , 5/8" GWB Type X	7" CLT	Vinyl Plank	GenieMat RST05	None	58	58
F2761.08	GenieClip RST , 5/8" GWB Type C	7" CLT	Wood	GenieMat RST02	None	54	50
F2761.09	GenieClip RST , 5/8" GWB Type C	7" CLT	Porcelain Tile	GenieMat RST12	None	55	51
F3052.11	1/2" Gypsum, GenieClip RST , 5/8" GWB Type X	16" Insulated Concrete Form	None	None	None	64	55
F3052.12	1/2" Gypsum, GenieClip RST , 5/8" GWB Type X	16" Insulated Concrete Form	Wood	GenieMat RST05	1 1/4" Gypsum, 9/16" Steel Deck	63	65
F2761.04	GenieClip RST , 5/8" GWB Type C	10" Steel Joist	None	3/8" Sound Mat	3/4" Concrete Panel	59	52
F5689.18	GenieClip RST , 2x 5/8" GWB Type C	10" Steel Joist	Porcelain Tile	GenieMat RST12	None	62	50
F5689.20	GenieClip RST , 2x 5/8" GWB Type C	10" Steel Joist	Vinyl Plank	GenieMat RST02	None	60	52
F5689.05	GenieClip RST , 5/8" GWB Type C	4" Composite Deck	Vinyl Plank	GenieMat RST02	None	54	55
F5689.06	GenieClip RST , 5/8" GWB Type C	4" Composite Deck	Wood	GenieMat RST05	None	55	54
F0223.05	GenieClip RST , 5/8" GWB Type C	8" Hollow Core Plank	Vinyl Plank	GenieMat RST05	None	60	58
F0223.06	GenieClip RST , 5/8" GWB Type C	8" Hollow Core Plank	None	None	None	60	55
F0223.08	GenieClip RST , 5/8" GWB Type C	8" Hollow Core Plank	Porcelain Tile	GenieMat RST05	None	58	59
F1751.01	12" Drop Ceiling, 5/8" GWB Type C	6" Concrete Slab	None	None	None	63	42
F1751.02	12" Drop Ceiling, GenieClip C3 , 5/8" GWB Type C	6" Concrete Slab	None	None	None	63	52
F1751.05	12" Drop Ceiling, GenieClip LB , 5/8" GWB Type C	6" Concrete Slab	None	None	None	64	53
F1751.03	12" Drop Ceiling, GenieClip C3 , 5/8" GWB Type C	6" Concrete Slab	Wood	GenieMat RST05	None	62	68
F1751.04	12" Drop Ceiling, GenieClip LB , 5/8" GWB Type C	6" Concrete Slab	Wood	GenieMat RST05	None	63	69
F9365.07	6" Drop Ceiling, GenieClip LB , 5/8" GWB Type C	6" Concrete Slab	Vinyl Plank	GenieMat RST02PS	None	62	60

TEST RESULTS

STEEL STUD WALL ASSEMBLIES						
TEST REPORT NUMBER	PRODUCT	STEEL STUD WALL STRUCTURE	GWB LAYERS (5/8" TYPE X)	TL @80 Hz (dB)	TL @100 Hz (dB)	STC (ASTM E413)
TL07-614	None	20 Ga., 3 5/8" wide spaced 24" O.C.	1x1	14	18	41
TL07-620	GenieClip® RST	20 Ga., 3 5/8" wide spaced 24" O.C.	1x1	17	25	56
TL07-625	RC Deluxe®	20 Ga., 3 5/8" wide spaced 24" O.C.	1x1	13	23	50
TL07-629	RSIC-1®	20 Ga., 3 5/8" wide spaced 24" O.C.	1x1	15	24	54
TL07-633	RSIC-V®	20 Ga., 3 5/8" wide spaced 24" O.C.	1x1	12	23	51
TL07-615	None	20 Ga., 3 5/8" wide spaced 24" O.C.	2x1	16	23	45
TL07-626	RC Deluxe®	20 Ga., 3 5/8" wide spaced 24" O.C.	2x1	19	30	55
TL07-617	GenieClip RST	20 Ga., 3 5/8" wide spaced 24" O.C.	2x1	24	31	60
TL07-630	RSIC-1®	20 Ga., 3 5/8" wide spaced 24" O.C.	2x1	22	32	60
TL07-634	RSIC-V®	20 Ga., 3 5/8" wide spaced 24" O.C.	2x1	17	29	56
TL07-616	None	20 Ga., 3 5/8" wide spaced 24" O.C.	2x2	18	24	49
TL07-627	RC Deluxe®	20 Ga., 3 5/8" wide spaced 24" O.C.	2x2	28	36	60
TL07-618	GenieClip RST	20 Ga., 3 5/8" wide spaced 24" O.C.	2x2	32	37	64
TL07-631	RSIC-1®	20 Ga., 3 5/8" wide spaced 24" O.C.	2x2	30	38	64
TL07-635	RSIC-V®	20 Ga., 3 5/8" wide spaced 24" O.C.	2x2	28	36	60
TL09-600	2x GenieClip RST	20 Ga., 3 5/8" wide spaced 24" O.C.	1x1	22	28	59
TL09-601	2x GenieClip RST	20 Ga., 3 5/8" wide spaced 24" O.C.	2x1	28	36	63
TL09-602	2x GenieClip RST	20 Ga., 3 5/8" wide spaced 24" O.C.	2x2	35	42	66

* RC Deluxe is a brand of resilient bar

** RSIC-V and RSIC-1 are both brands of isolation clips

TEST RESULTS

WOOD STUD WALL ASSEMBLIES						
TEST REPORT NUMBER	PRODUCT	WOOD STUD WALL STRUCTURE	GWB LAYERS (5/8" Type X)	TL @80 Hz (dB)	TL @100 Hz (dB)	STC (ASTM E413)
TL07-674	None	2 x 4 spaced 16" O.C.	1x1	23	23	37
TL07-673	GenieClip® RST	2 x 4 spaced 16" O.C.	1x1	20	27	57
TL07-754	RC Deluxe®	2 x 4 spaced 16" O.C.	1x1	15	20	50
TL07-753	RSIC-1®	2 x 4 spaced 16" O.C.	1x1	17	25	56
TL07-746	RSIC-V®	2 x 4 spaced 16" O.C.	1x1	14	22	52
TL07-672	GenieClip RST	2 x 4 spaced 16" O.C.	2x1	27	33	61
TL07-740	None	2 x 4 spaced 16" O.C.	2x1	25	25	39
TL07-744	RC Deluxe®	2 x 4 spaced 16" O.C.	2x1	19	25	55
TL07-752	RSIC-1®	2 x 4 spaced 16" O.C.	2x1	25	30	61
TL07-747	RSIC-V®	2 x 4 spaced 16" O.C.	2x1	22	28	58
TL07-670	GenieClip RST	2 x 4 spaced 16" O.C.	2x2	31	39	64
TL07-741	None	2 x 4 spaced 16" O.C.	2x2	27	28	41
TL07-743	RC Deluxe®	2 x 4 spaced 16" O.C.	2x2	25	30	60
TL07-751	RSIC-1®	2 x 4 spaced 16" O.C.	2x2	30	35	65
TL07-748	RSIC-V®	2 x 4 spaced 16" O.C.	2x2	28	33	63
TL07-644	GenieClip RST	2 x 4 spaced 16" O.C.	1x1 +1 layer	16	18	48
TL07-697	GenieClip RST	2 x 4 spaced 16" O.C.	2x1 +1 layer	17	24	54
TL11-120	None	Double Stud 2 x 4 spaced 16" O.C., 1" air gap	1x1	32	35	61
TL11-121	None	Staggered Stud 2 x 4 spaced 8" O.C.	2x2	29	36	47

* RC Deluxe is a brand of resilient bar

** RSIC-V and RSIC-1 are both brands of isolation clips

CONTACT US

For Your Project Specific Questions
T. 416.449.0049 | **E.** info@pliteq.com

© Pliteq Inc. 2021.

®™ Trademarks of Pliteq Inc. The information provided is accurate to the best of our knowledge at the time of issue. However, we reserve the right to make changes when necessary without further notification. Suggested application may need to be modified to conform with local building codes and conditions. We cannot accept responsibility for products that are not used, or installed, to our specifications. All listed dimensions are nominal.



www.pliteq.com