

**Section 07 92 00**  
**Acoustical Joint Sealants**

**NOTE TO SPECIFIER: This specification section addresses only “Acoustical Joint Sealants” associated with sound attenuation. Specifications for other purposes, such as “Elastomeric Joint Sealants”, under companion section 07 84 43 must be evaluated separately.**

**PART 1 - General**

1.01 Related Documents:

A. Drawings and general provisions of Contract, including General and Supplementary Conditions and Division-1 Specification Section, apply to work specified in this section.

1.02 Definitions:

A. Acoustic Joint Sealant: “Acoustic Joint Sealant: Material or combination of materials used to achieve specified acoustical rating of non-fire-rated assembly by providing an effective barrier against sound transmission through construction joint and through penetration openings.”

1.03 General Description of the Work of this Section:

Only tested acoustic systems shall be used in specific locations as follows:

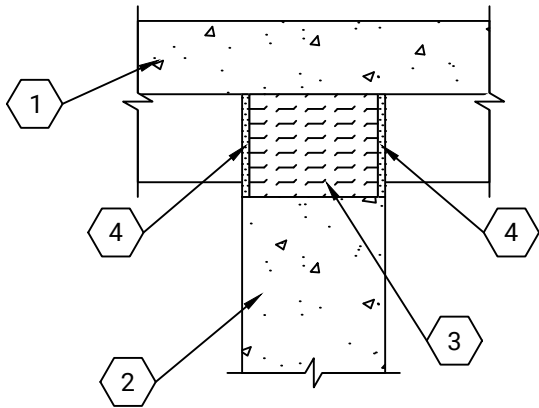
- A. Top-of-Wall, Wall-to-Wall, Bottom-of-Wall Joints in gypsum board partitions.
- B. Top-of-Wall, Wall-to-Wall, Floor-to-Wall Joints in concrete walls.
- C. Floor-to-Floor Joints in concrete floors
- D. Through-penetrations in gypsum and masonry walls and floors.

1.04 Related Work of Other Sections

A. Coordinate work of this section with work of other sections as required to properly execute the work and as necessary to maintain satisfactory progress of the work of other sections, including:

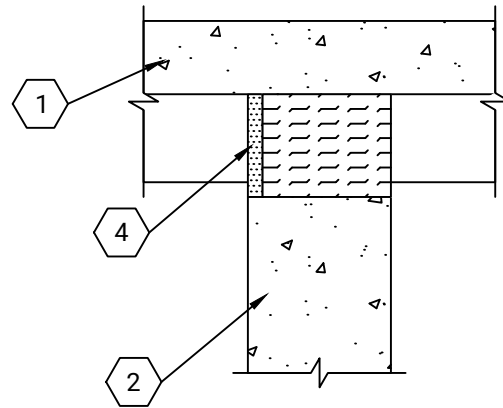
- 1. Section 07 84 00 - General Firestopping
- 2. Section 07 84 13 - Penetration Firestopping
- 3. Section 07 84 43 - Joint Systems
- 4. Section 07 84 53 - Building Perimeter Firestopping
- 5. Section 22 00 00 - Plumbing Firestopping
- 6. Section 23 00 00 - HVAC Firestopping
- 7. Section 26 00 00 - Electrical
- 8. Section 27 05 28 - Communications Firestopping

1/4" (6.4 mm) Thickness - Both Sides of Wall



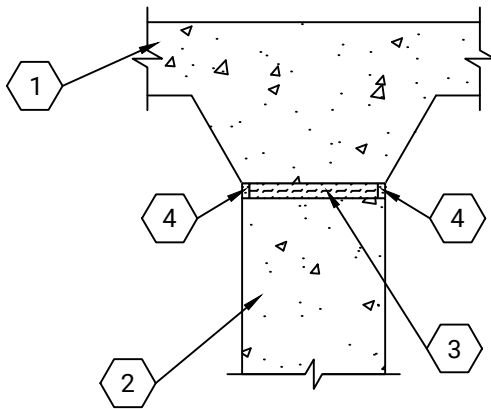
Detail 2-1

1/2" (12.7mm) Thickness - One Side of Wall



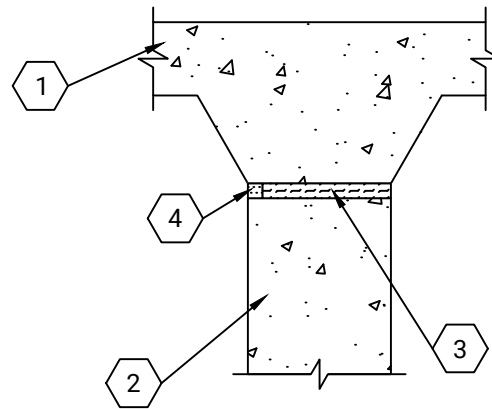
Detail 2-2

1/4" (6.4 mm) Thickness - Both Sides of Wall



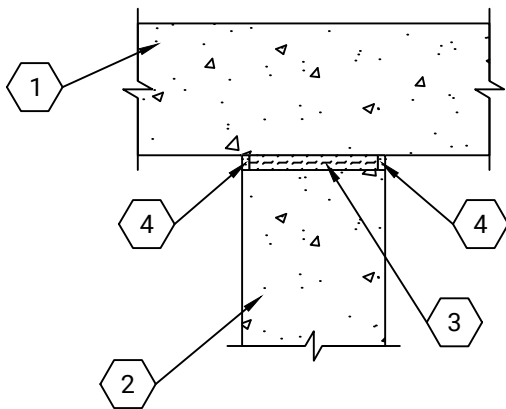
Detail 2-3

1/2" (12.7mm) Thickness - One Side of Wall



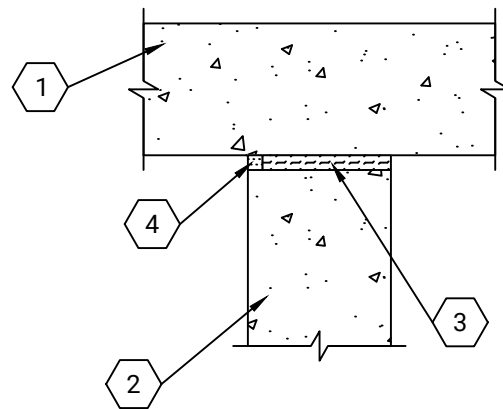
Detail 2-4

1/4" (6.4 mm) Thickness - Both Sides of Wall



Detail 2-5

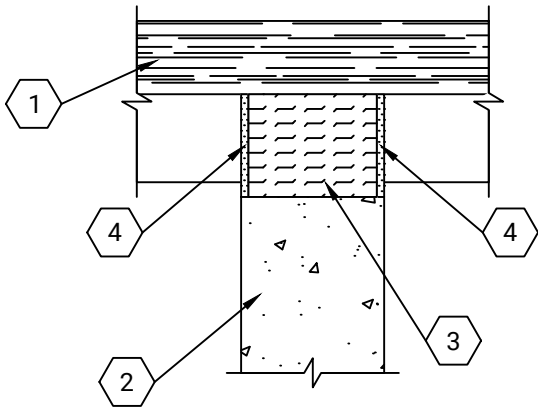
1/2" (12.7mm) Thickness - One Side of Wall



Detail 2-6

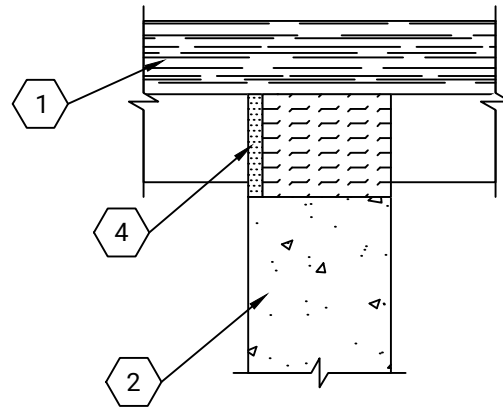
- 1 Concrete Floor
- 2 Non-Rated Concrete and Concrete Block Wall
- 3 Fiberglass Batt Insulation or Mineral Wool Batt Insulation
- 4 SpecSeal® Smoke 'N' Sound Sealant

1/4" (6.4 mm) Thickness - Both Sides of Wall



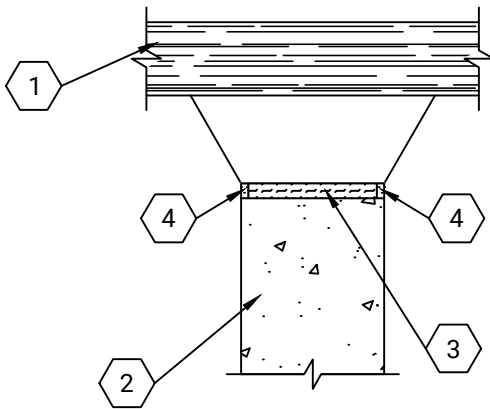
Detail 3-1

1/2" (12.7mm) Thickness - One Side of Wall



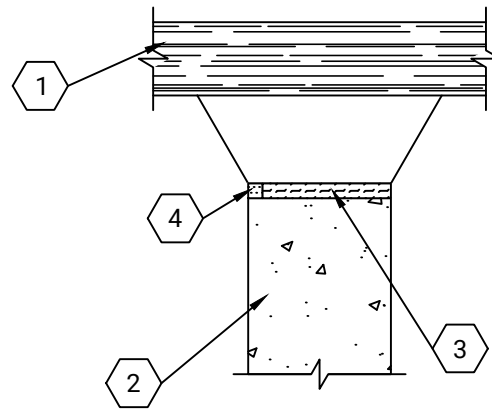
Detail 3-2

1/4" (6.4 mm) Thickness - Both Sides of Wall



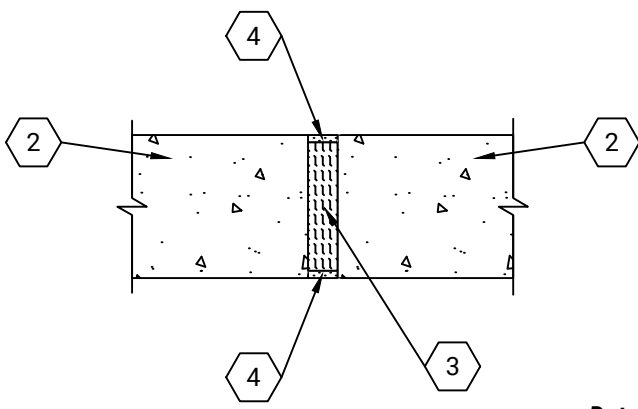
Detail 3-3

1/2" (12.7mm) Thickness - One Side of Wall



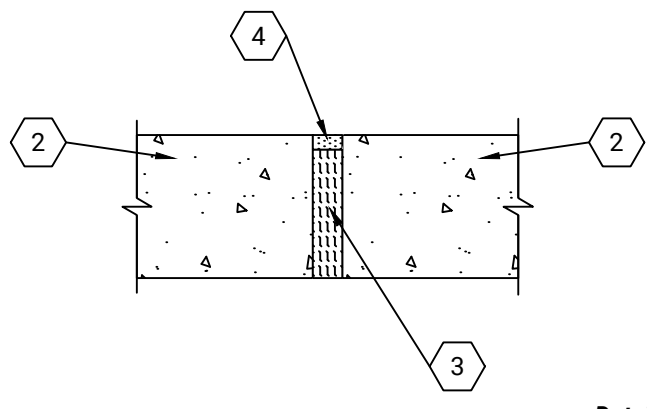
Detail 3-4

1/4" (6.4 mm) Thickness - Both Sides of Wall



Detail 3-5

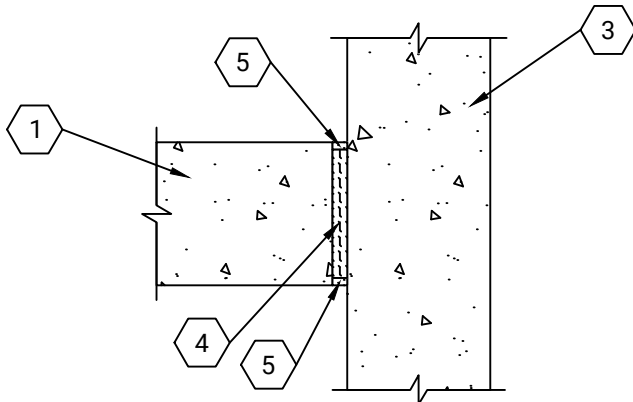
1/2" (12.7mm) Thickness - One Side of Wall



Detail 3-6

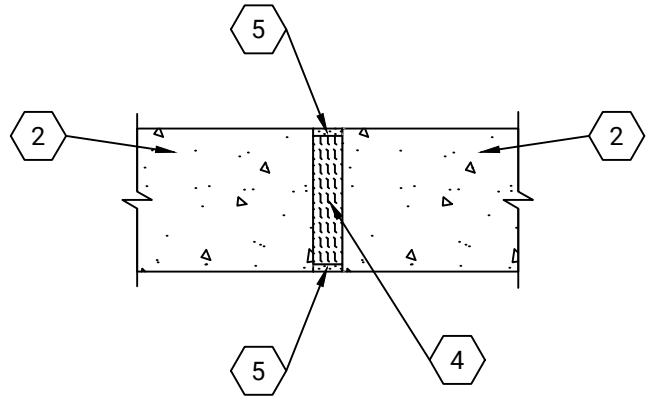
- 1 Roof
- 2 Non-Rated Concrete and Concrete Block Wall
- 3 Fiberglass Batt Insulation or Mineral Wool Batt Insulation
- 4 SpecSeal® Smoke 'N' Sound Sealant

1/4" (6.4 mm) Thickness - Both Sides of Floor



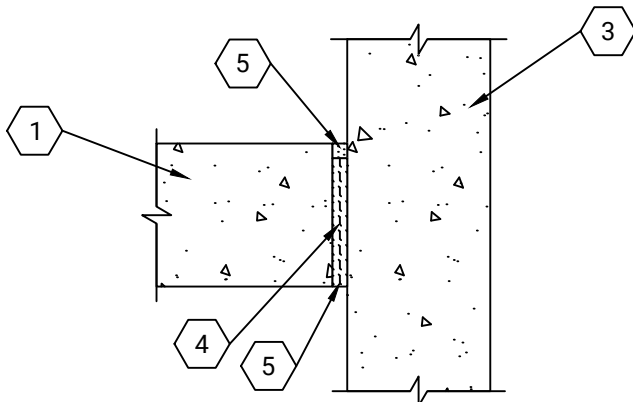
Detail 4-1

1/4" (6.4 mm) Thickness - Both Sides of Floor



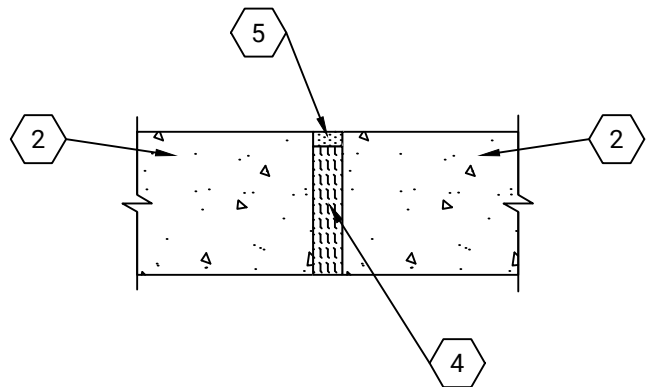
Detail 4-2

1/2" (12.7mm) Thickness - Top Side of Floor



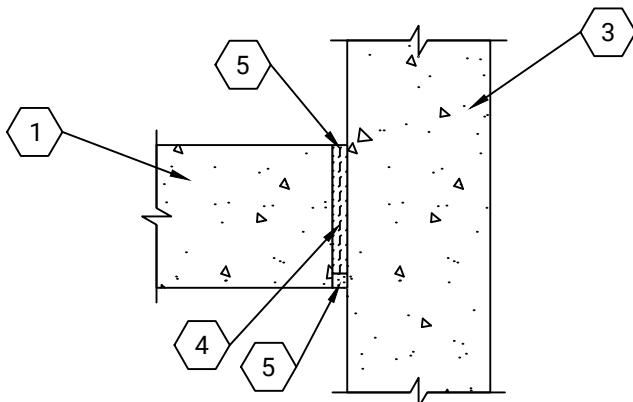
Detail 4-3

1/2" (12.7mm) Thickness - Top Side of Floor



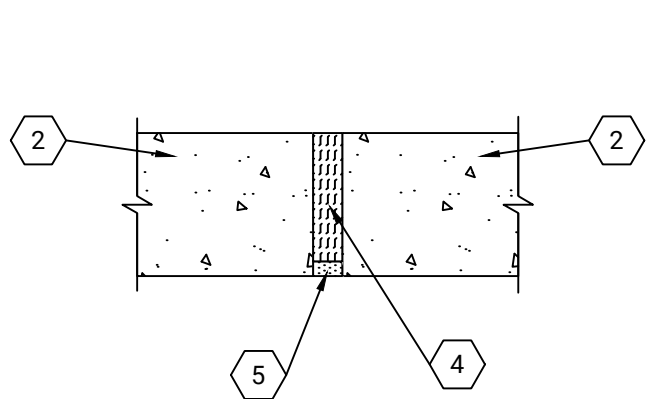
Detail 4-4

1/2" (12.7mm) Thickness - Bottom Side of Floor



Detail 4-5

1/2" (12.7mm) Thickness - Bottom Side of Floor

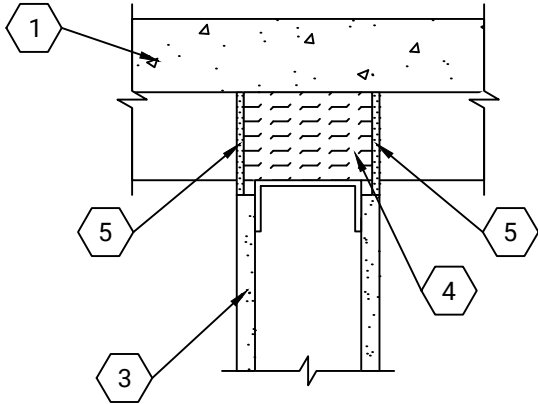


Detail 4-6

- 1 Concrete Floor
- 2 Non-Rated Concrete Floor
- 3 Non-Rated Concrete and Concrete Block Wall
- 4 Fiberglass Batt Insulation or Mineral Wool Batt Insulation

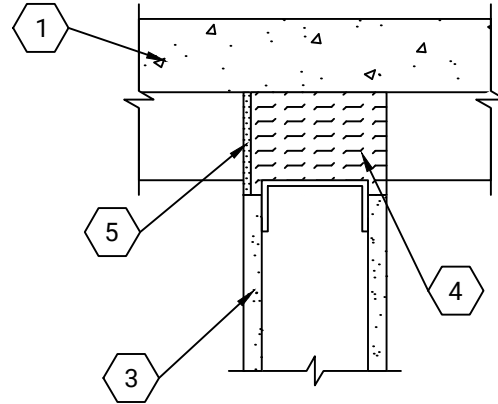
- 5 SpecSeal® Smoke 'N' Sound Sealant

1/4" (6.4 mm) Thickness - Both Sides of Wall



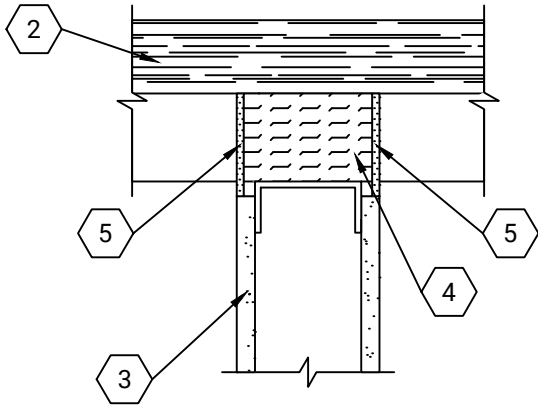
Detail 5-1

1/4" (6.4 mm) Thickness - One Side of Wall



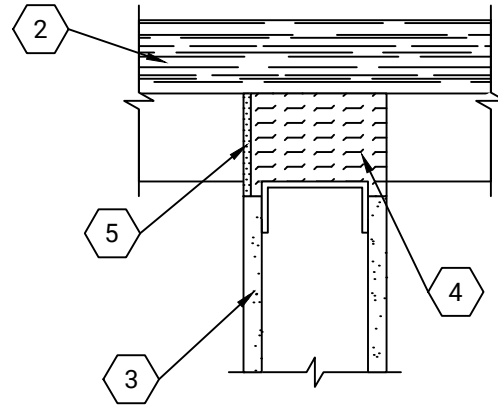
Detail 5-2

1/4" (6.4 mm) Thickness - Both Sides of Wall



Detail 5-3

1/4" (6.4 mm) Thickness - One Side of Wall

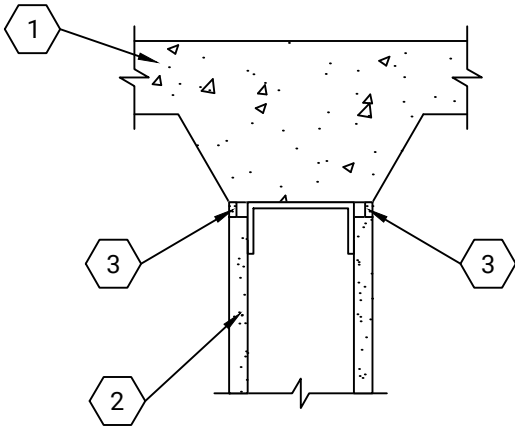


Detail 5-4

- 1 Concrete Floor
- 2 Roof
- 3 Non-Rated Gypsum Wall
- 4 Fiberglass Batt Insulation or Mineral Wool Batt Insulation

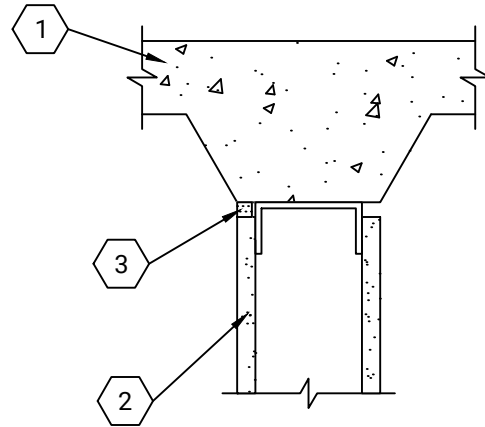
- 5 SpecSeal® Smoke 'N' Sound Sealant

1/4" (6.4 mm) Thickness - Both Sides of Wall



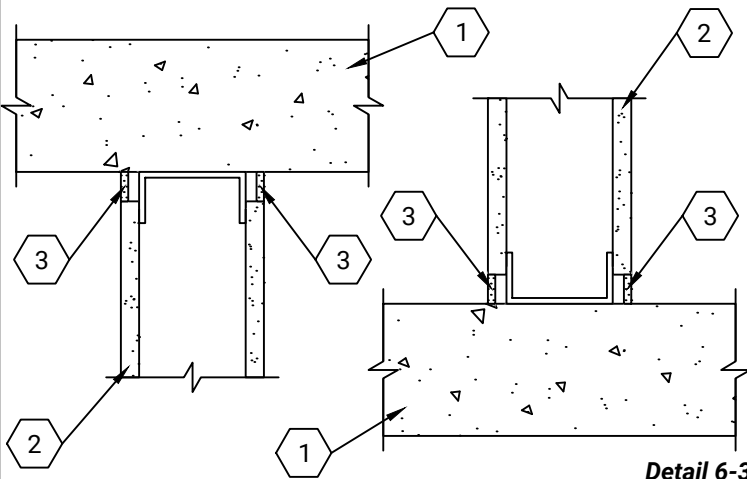
Detail 6-1

1/2" (12.7mm) Thickness - One Side of Wall



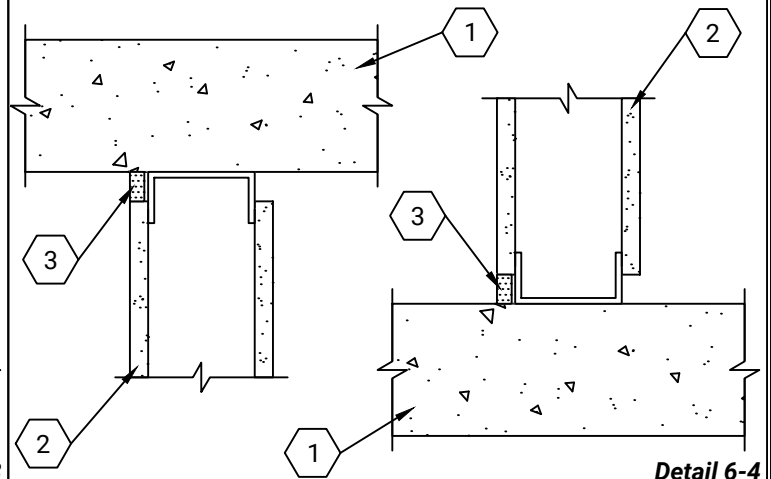
Detail 6-2

1/4" (6.4 mm) Thickness - Both Sides of Wall



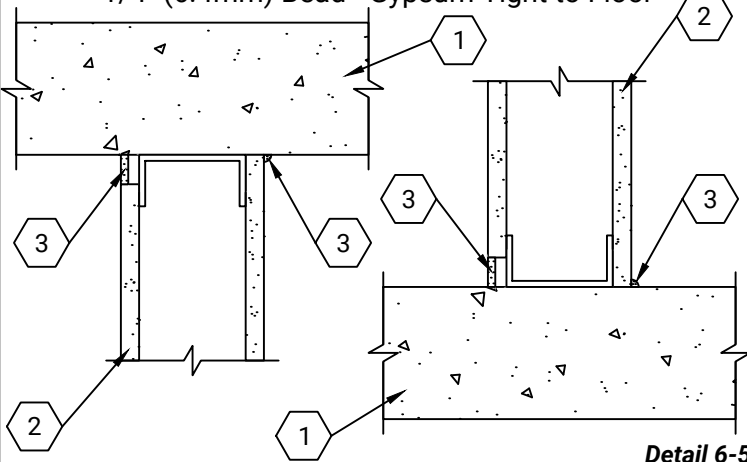
Detail 6-3

1/2" (12.7mm) Thickness - One Side of Wall



Detail 6-4

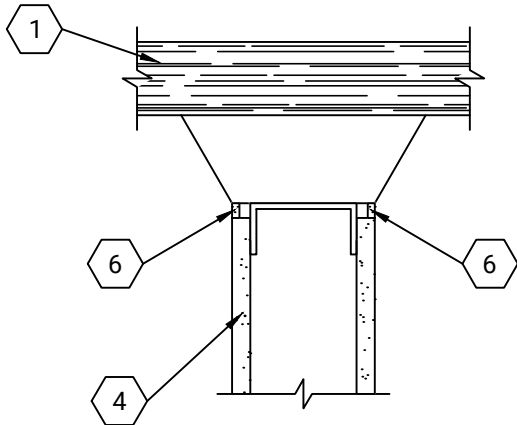
1/4" (6.4mm) Thickness - Gypsum Offset from Floor  
1/4" (6.4mm) Bead - Gypsum Tight to Floor



Detail 6-5

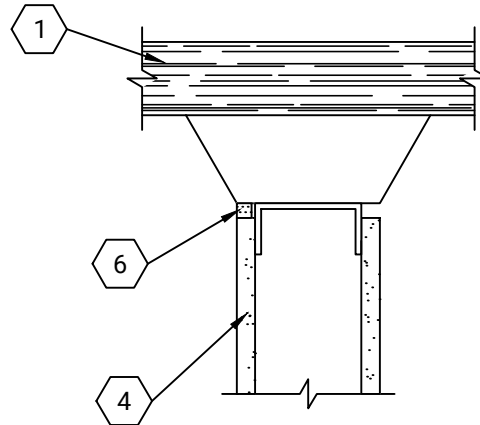
- 1 Concrete Floor
- 2 Non-Rated Gypsum Wall
- 3 SpecSeal® Smoke 'N' Sound Sealant

1/4" (6.4 mm) Thickness - Both Sides of Wall



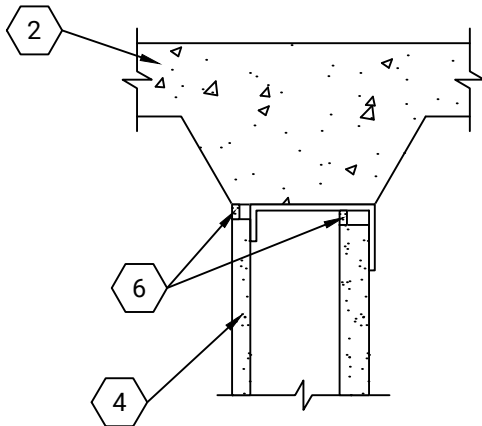
Detail 7-1

1/2" (12.7mm) Thickness - One Side of Wall



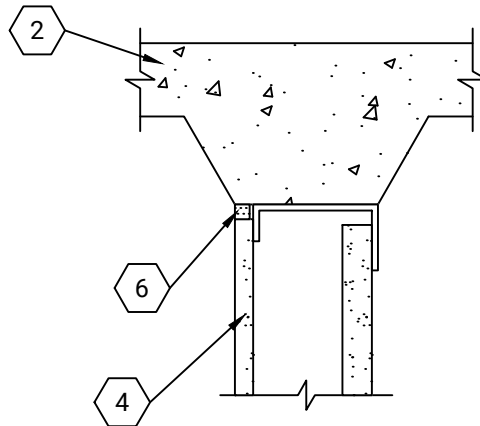
Detail 7-2

1/4" (6.4 mm) Thickness - Both Sides of Wall



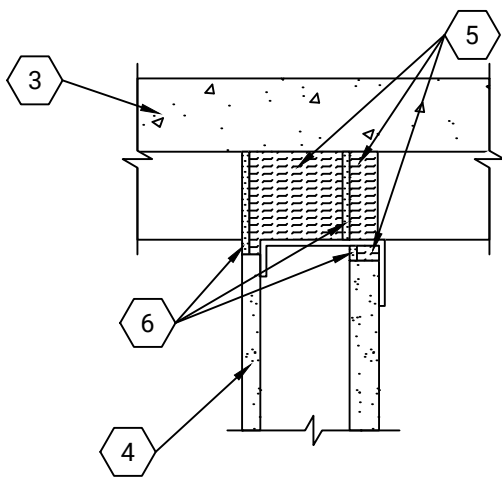
Detail 7-3

1/2" (12.7mm) Thickness - One Side of Wall



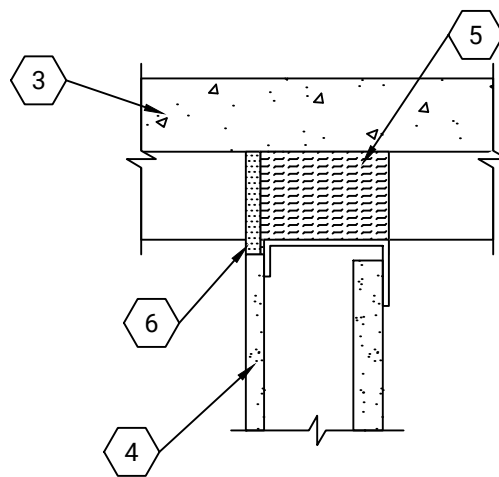
Detail 7-4

1/4" (6.4 mm) Thickness - Both Sides of Wall



Detail 7-5

1/2" (12.7mm) Thickness - One Side of Wall

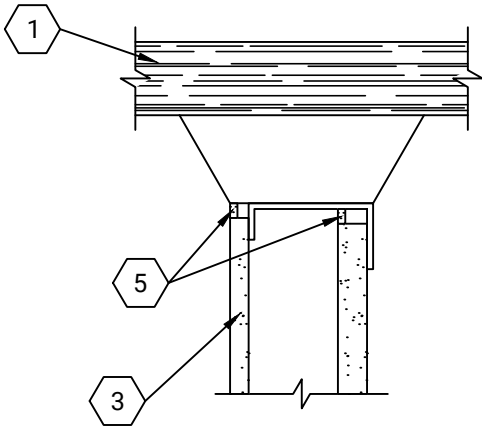


Detail 7-6

- 1 Roof
- 2 Concrete Floor
- 3 Floor or Roof
- 4 Non-Rated Gypsum Wall or Gypsum Shaft Wall

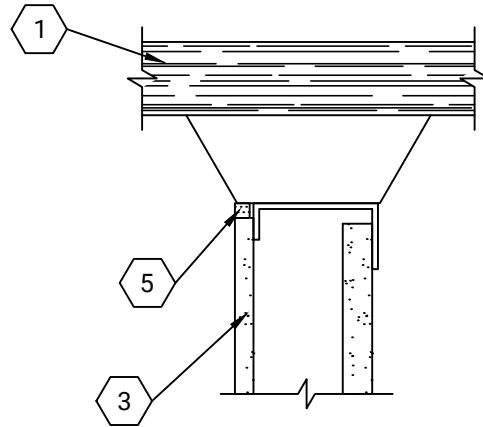
- 5 Fiberglass Batt Insulation or Mineral Wool Batt Insulation
- 6 SpecSeal® Smoke 'N' Sound Sealant

1/4" (6.4 mm) Thickness - Both Sides of Wall



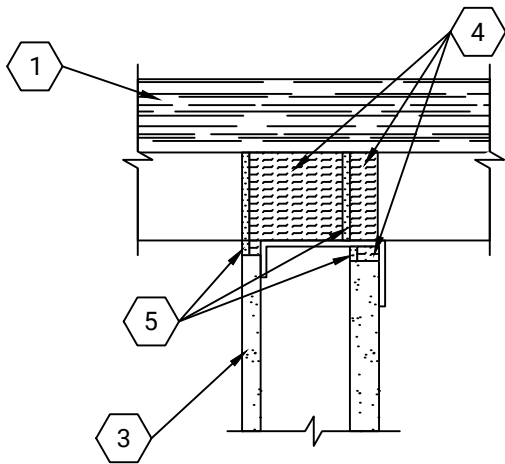
Detail 8-1

1/2" (12.7mm) Thickness - One Side of Wall



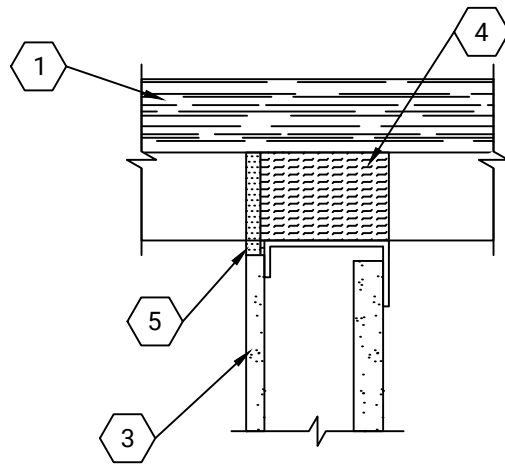
Detail 8-2

1/4" (6.4 mm) Thickness - Both Sides of Wall



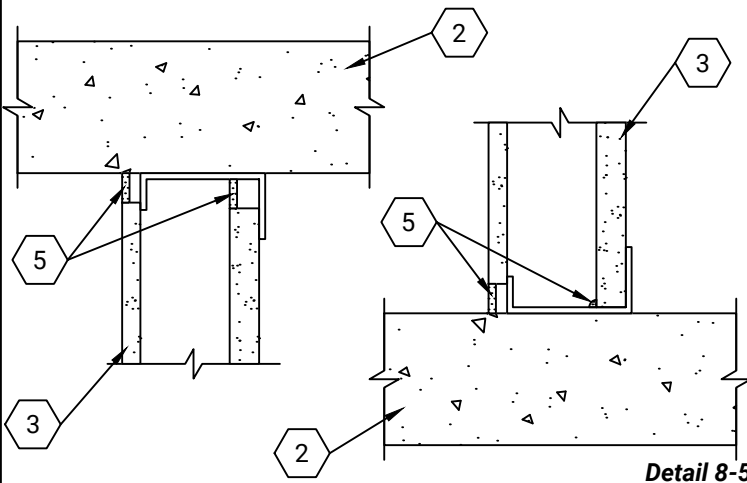
Detail 8-3

1/2" (12.7mm) Thickness - One Side of Wall



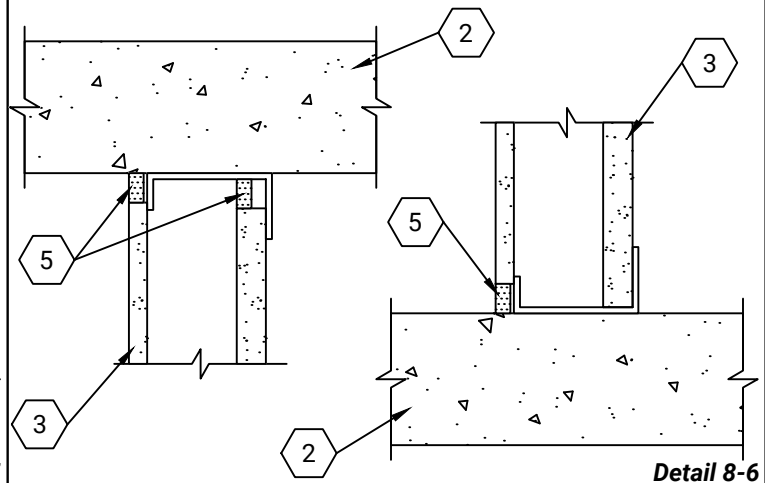
Detail 8-4

1/4" (6.4 mm) Thickness - Both Sides of Wall



Detail 8-5

1/2" (12.7mm) Thickness - One Side of Wall



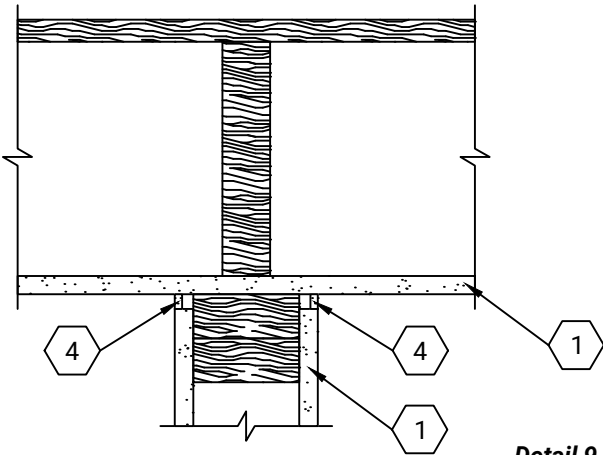
Detail 8-6

- 1 Roof
- 2 Concrete Floor
- 3 Non-Rated Gypsum Shaft Wall
- 4 Fiberglass Batt Insulation or Mineral Wool Batt Insulation

- 5 SpecSeal® Smoke 'N' Sound Sealant

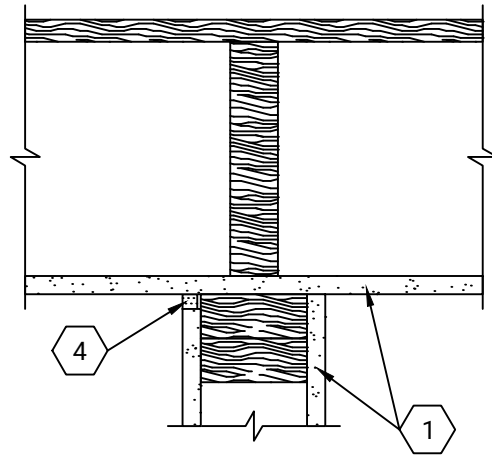


1/4" (6.4 mm) Thickness - Both Sides of Wall



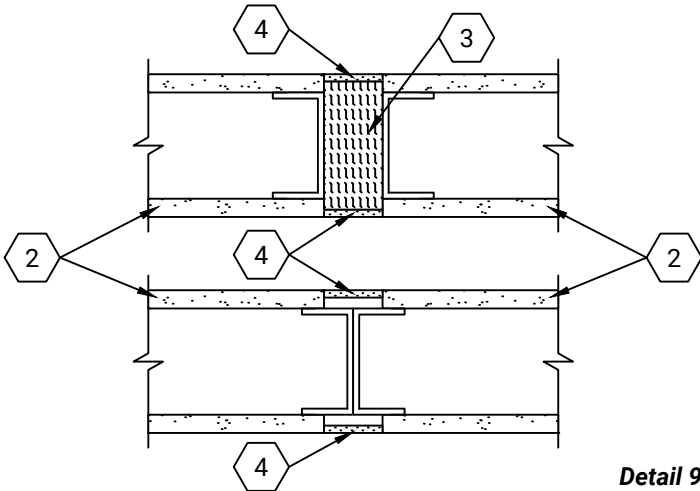
Detail 9-1

1/2" (12.7mm) Thickness - One Side of Wall



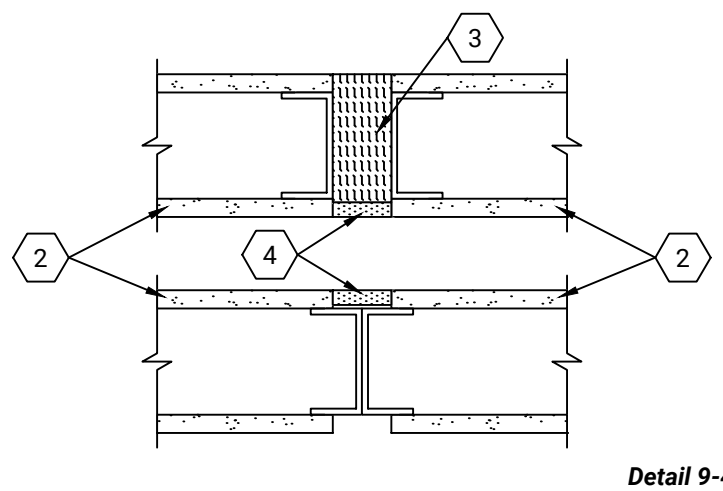
Detail 9-2

1/4" (6.4 mm) Thickness - Both Sides of Wall



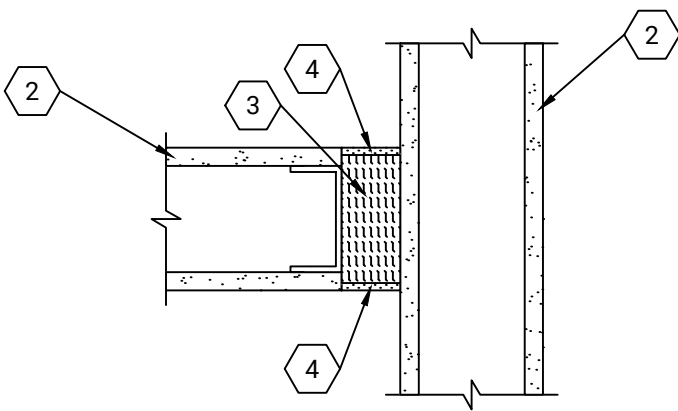
Detail 9-3

1/2" (12.7mm) Thickness - One Side of Wall



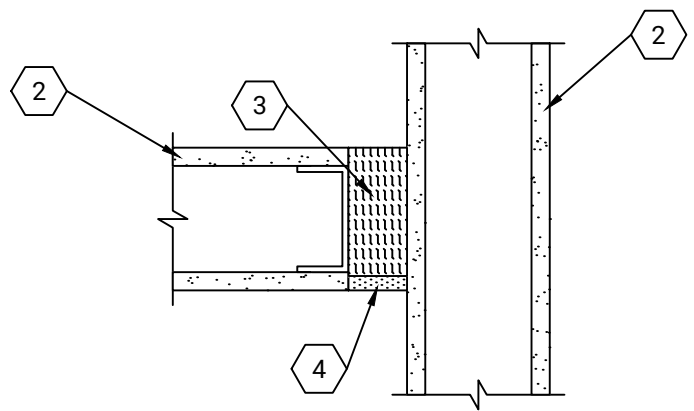
Detail 9-4

1/4" (6.4 mm) Thickness - Both Sides of Wall



Detail 9-5

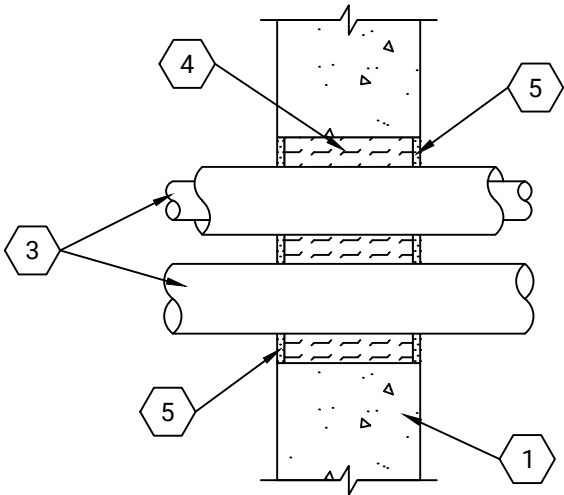
1/2" (12.7mm) Thickness - One Side of Wall



Detail 9-6

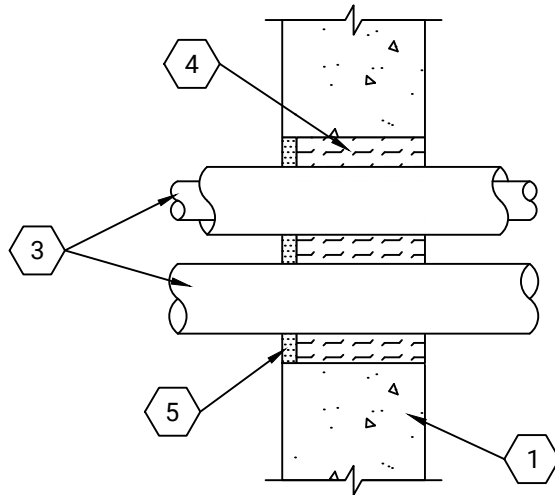
- 1 Non-Rated Gypsum Assembly
- 2 Non-Rated Gypsum Wall
- 3 Fiberglass Batt Insulation or Mineral Wool Batt Insulation
- 4 SpecSeal® Smoke 'N' Sound Sealant

1/4" (6.4 mm) Thickness - Both Sides of Wall



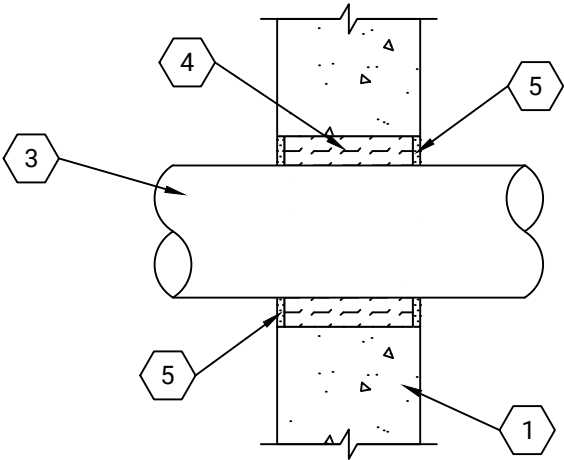
Detail 10-1

1/2" (12.7mm) Thickness - One Side of Wall



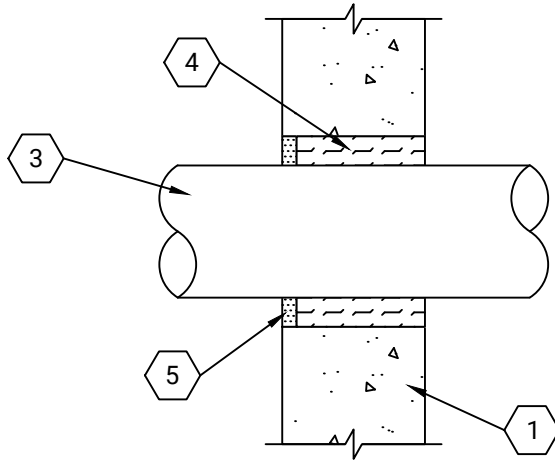
Detail 10-2

1/4" (6.4 mm) Thickness - Both Sides of Wall



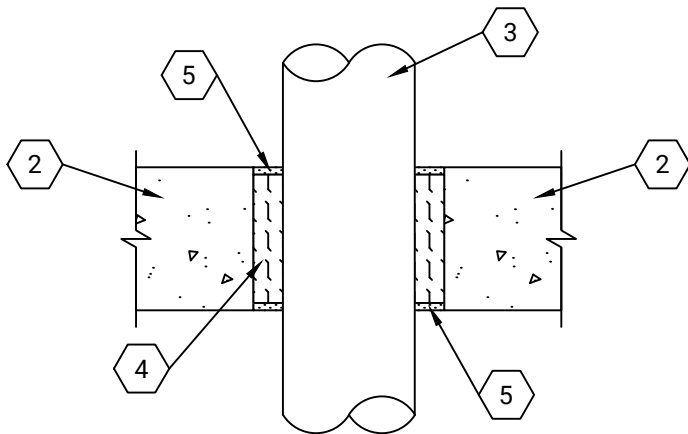
Detail 10-3

1/2" (12.7mm) Thickness - One Side of Wall



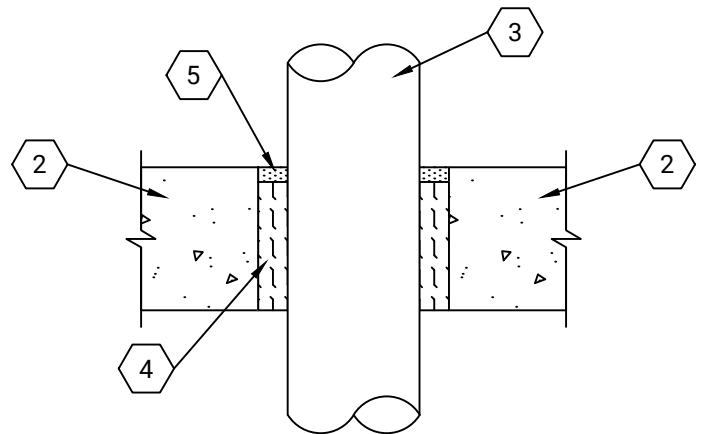
Detail 10-4

1/4" (6.4 mm) Thickness - Both Sides of Wall



Detail 10-5

1/2" (12.7mm) Thickness - Top Side of Floor

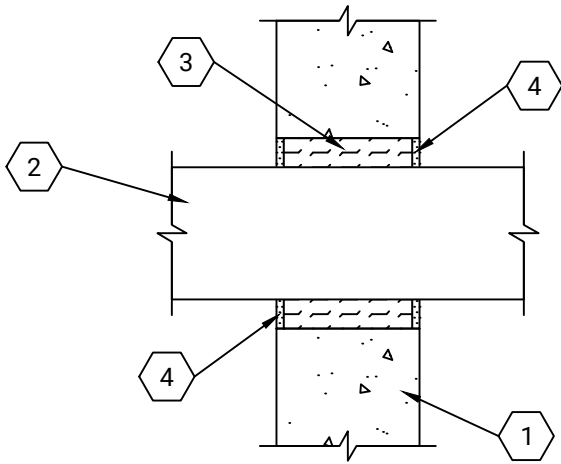


Detail 10-6

- 1 Non-Rated Concrete and Concrete Block Wall
- 2 Non-Rated Concrete Floor
- 3 Through Penetrant
- 4 Fiberglass Batt Insulation or Mineral Wool Batt Insulation

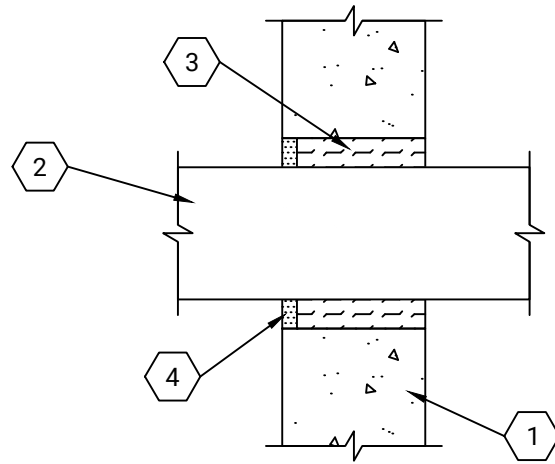
- 5 SpecSeal® Smoke 'N' Sound Sealant

1/4" (6.4 mm) Thickness - Both Sides of Wall



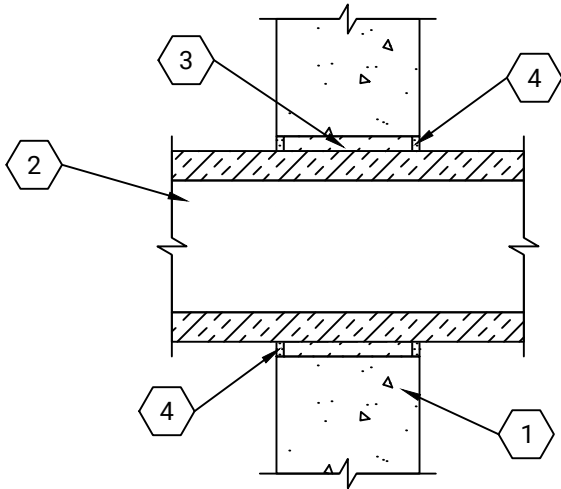
Detail 11-1

1/2" (12.7mm) Thickness - One Side of Wall



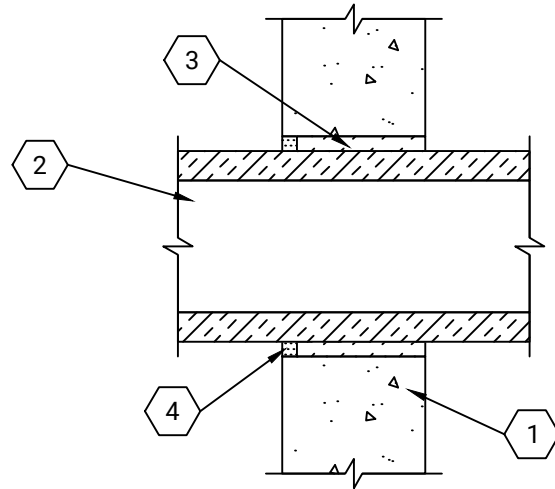
Detail 11-2

1/4" (6.4 mm) Thickness - Both Sides of Wall



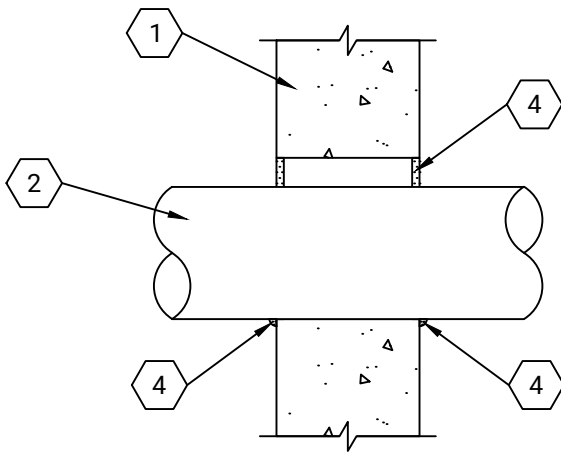
Detail 11-3

1/2" (12.7mm) Thickness - One Side of Wall



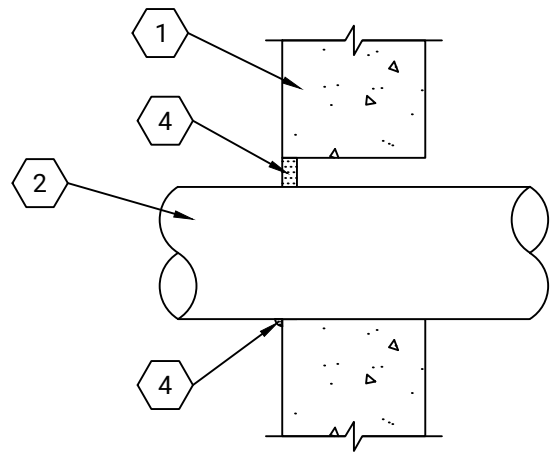
Detail 11-4

1/4" (6.4 mm) Thickness - Both Sides of Wall



Detail 11-5

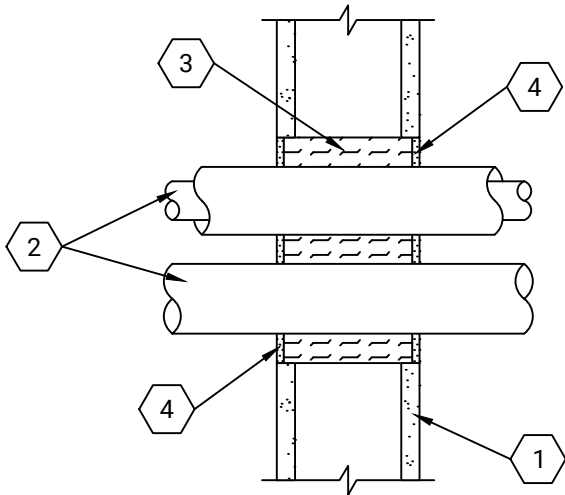
1/2" (12.7mm) Thickness - One Side of Wall



Detail 11-6

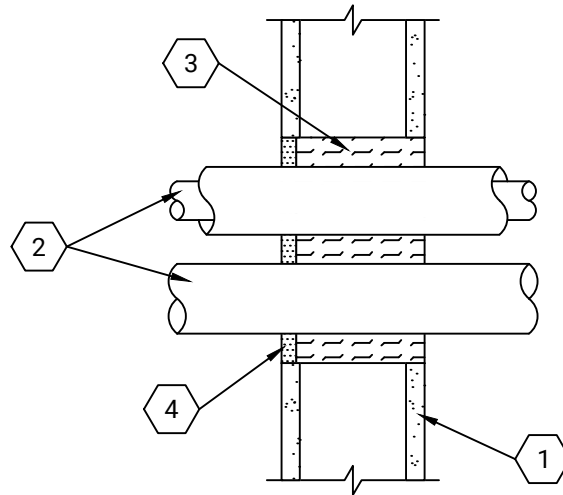
- 1 Non-Rated Concrete and Concrete Block Wall
- 2 Through Penetrant
- 3 Fiberglass Batt Insulation or Mineral Wool Batt Insulation
- 4 SpecSeal® Smoke 'N' Sound Sealant

1/4" (6.4 mm) Thickness - Both Sides of Wall



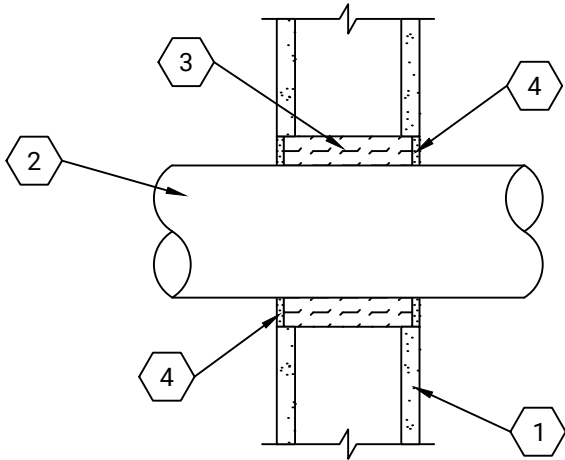
Detail 12-1

1/2" (12.7mm) Thickness - One Side of Wall



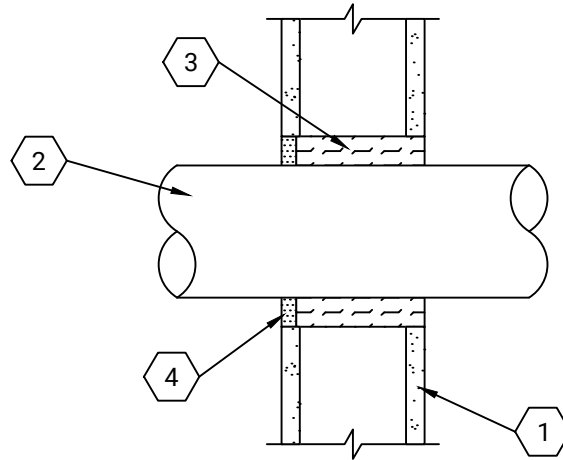
Detail 12-2

1/4" (6.4 mm) Thickness - Both Sides of Wall



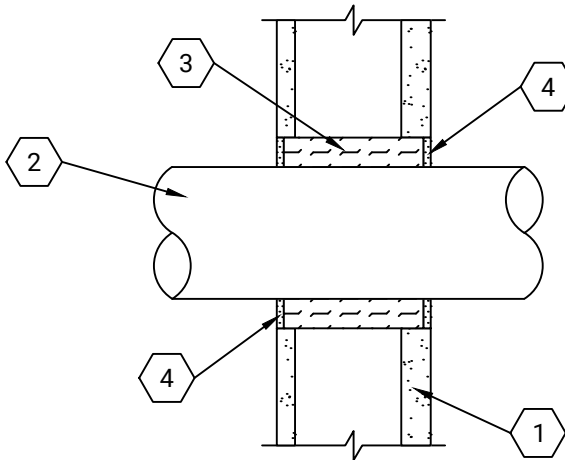
Detail 12-3

1/2" (12.7mm) Thickness - One Side of Wall



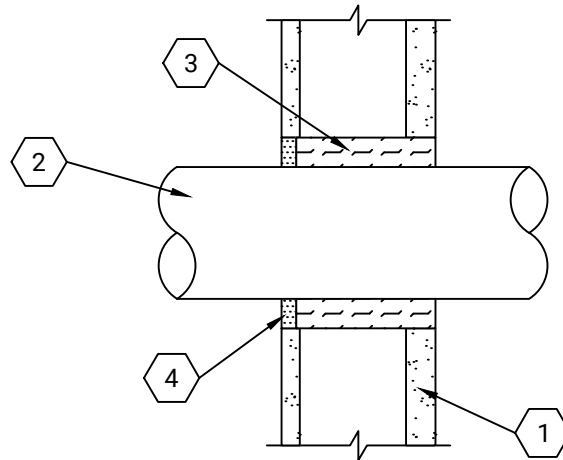
Detail 12-4

1/4" (6.4 mm) Thickness - Both Sides of Wall



Detail 12-5

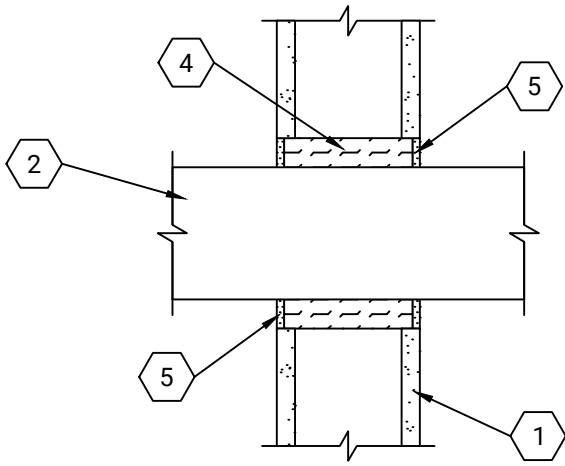
1/2" (12.7mm) Thickness - One Side of Wall



Detail 12-6

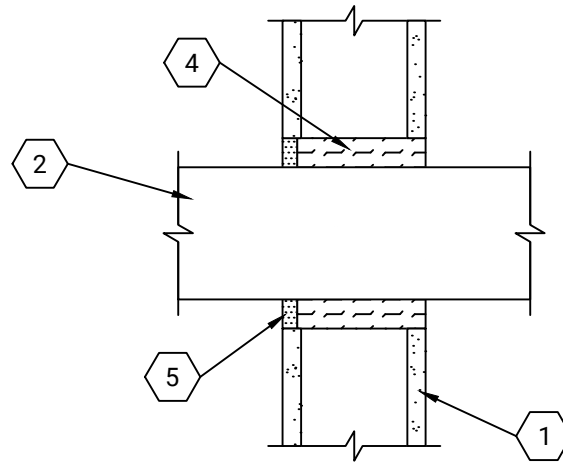
- 1 Non-Rated Gypsum Wall or Gypsum Shaft Wall
- 2 Through Penetrant
- 3 Fiberglass Batt Insulation or Mineral Wool Batt Insulation
- 4 SpecSeal® Smoke 'N' Sound Sealant

1/4" (6.4 mm) Thickness - Both Sides of Wall



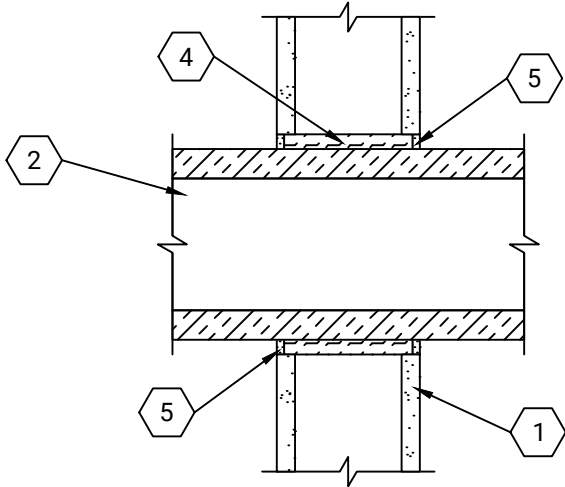
Detail 13-1

1/2" (12.7mm) Thickness - One Side of Wall



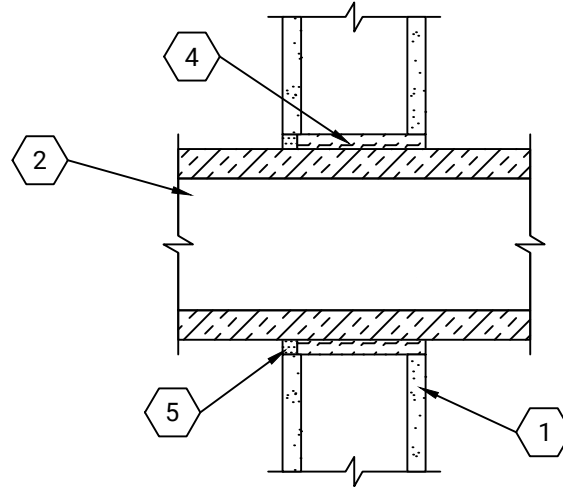
Detail 13-2

1/4" (6.4 mm) Thickness - Both Sides of Wall



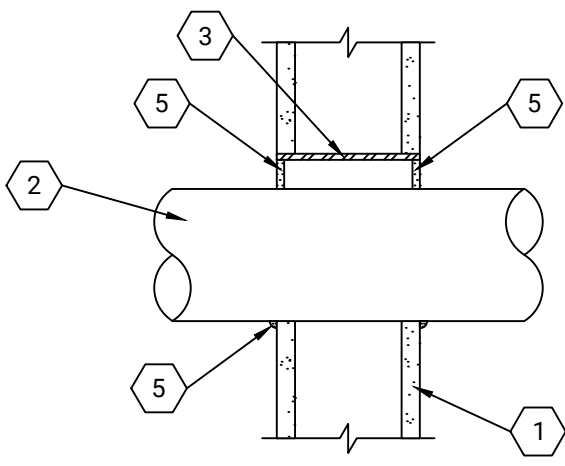
Detail 13-3

1/2" (12.7mm) Thickness - One Side of Wall



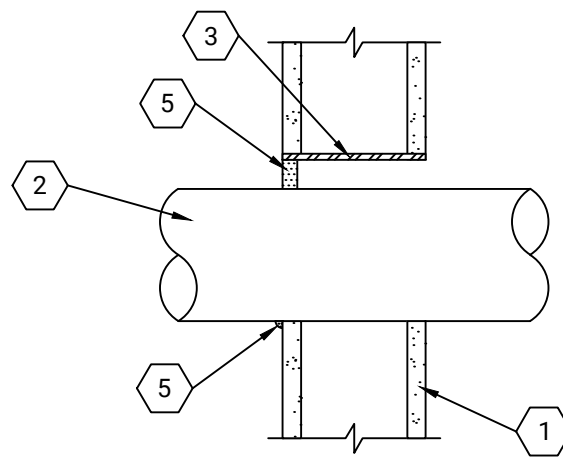
Detail 13-4

1/4" (6.4 mm) Thickness - Both Sides of Wall



Detail 13-5

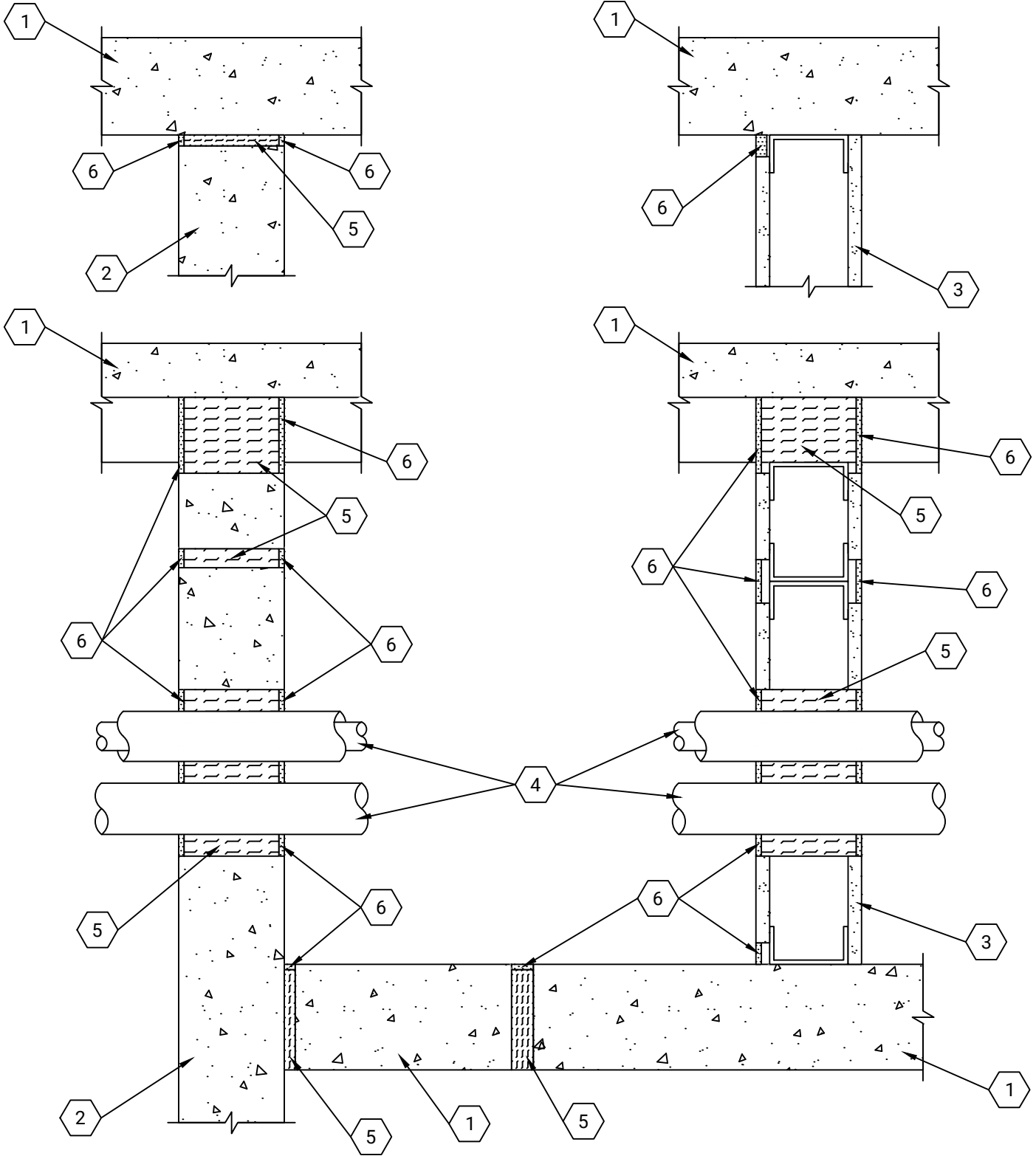
1/2" (12.7mm) Thickness - One Side of Wall



Detail 13-6

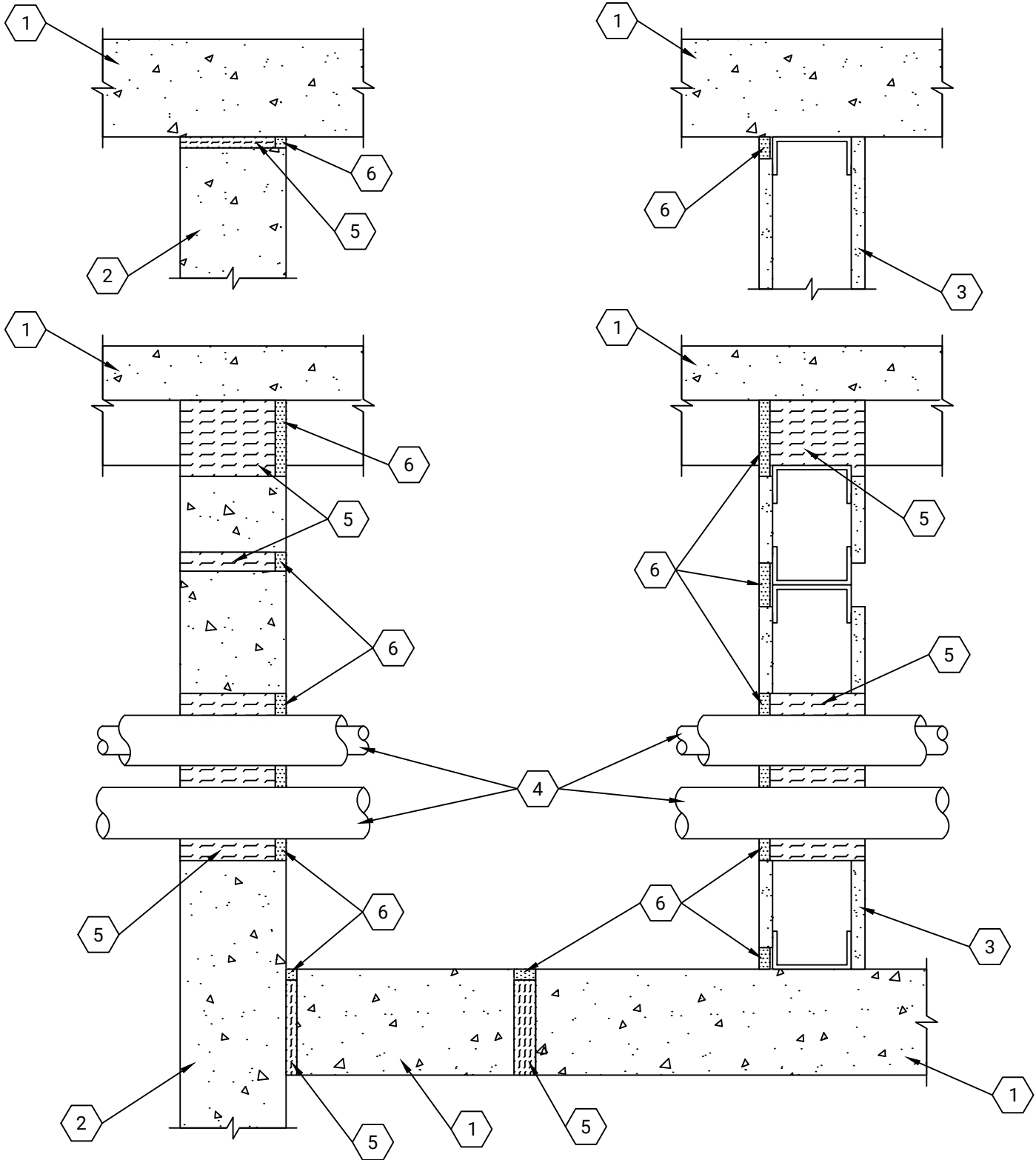
- 1 Non-Rated Gypsum Wall
- 2 Through Penetrant
- 3 Sleeve (Optional)
- 4 Fiberglass Batt Insulation or Mineral Wool Batt Insulation

- 5 SpecSeal® Smoke 'N' Sound Sealant



Detail 14-1

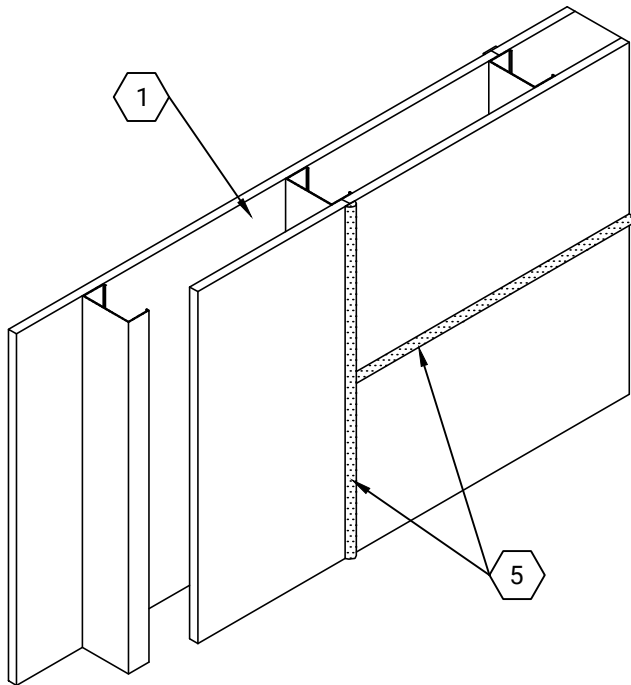
- 1 Concrete Floor
- 2 Non-Rated Concrete and Concrete Block Wall
- 3 Non-Rated Gypsum Wall
- 4 Through Penetrant
- 5 Fiberglass Batt Insulation or Mineral Wool Batt Insulation
- 6 SpecSeal® Smoke 'N' Sound Sealant



Detail 15-1

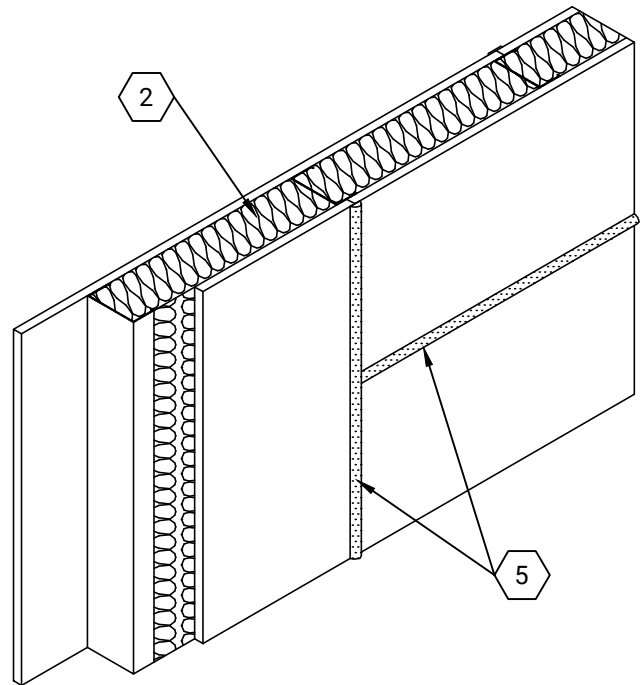
- 1 Concrete Floor
- 2 Non-Rated Concrete and Concrete Block Wall
- 3 Non-Rated Gypsum Wall
- 4 Through Penetrant
- 5 Fiberglass Batt Insulation or Mineral Wool Batt Insulation
- 6 SpecSeal® Smoke 'N' Sound Sealant

3/8" (9.5mm) Diameter Bead Over Butted Seams



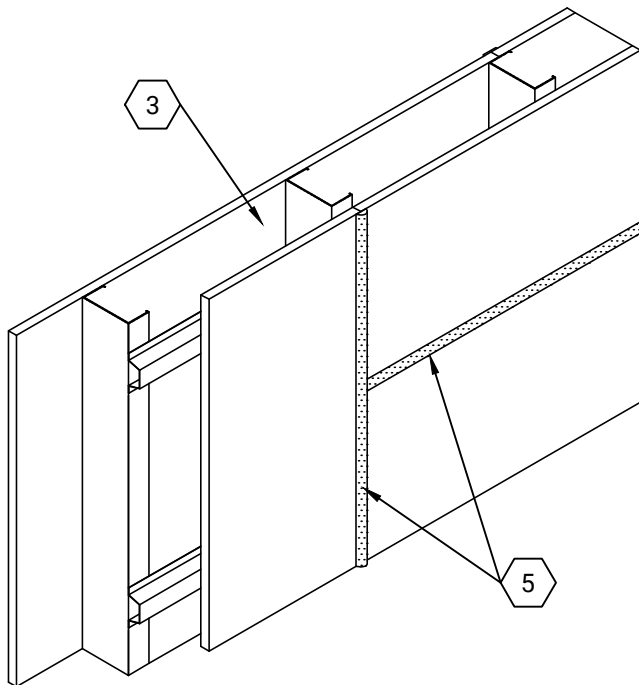
Detail 16-1

3/8" (9.5mm) Diameter Bead Over Butted Seams



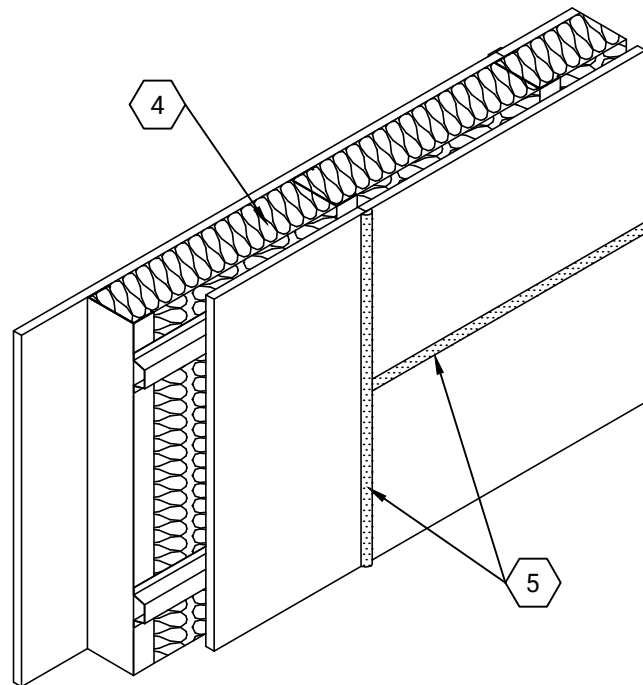
Detail 16-2

3/8" (9.5mm) Diameter Bead Over Butted Seams



Detail 16-3

3/8" (9.5mm) Diameter Bead Over Butted Seams



Detail 16-4

- 1 Non-Rated Gypsum Wall
- 2 Non-Rated Gypsum Wall with Insulated Stud Cavities
- 3 Non-Rated Gypsum Wall with Resilient Channels
- 4 Non-Rated Gypsum Wall with Insulated Stud Cavity and Resilient Channels

- 5 SpecSeal® Smoke 'N' Sound Sealant