

Resilmount A237R

Direct Fix Furring Channel Resilmount Mount



APPLICATION

Resilmount A237R™ are an engineered, patented acoustic resilient mounting bracket for Studco furring channels, for reducing airborne vibration and structure-borne vibration in wood, steel and concrete wall and ceiling applications.



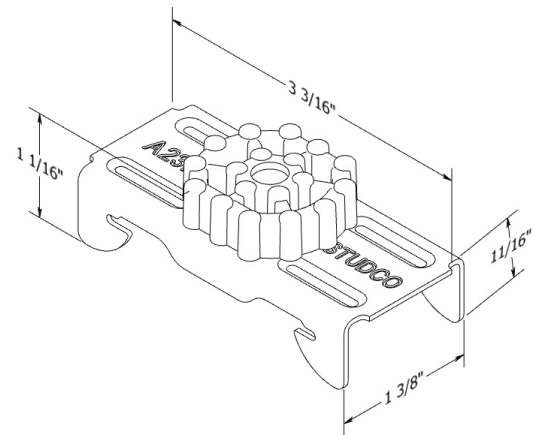
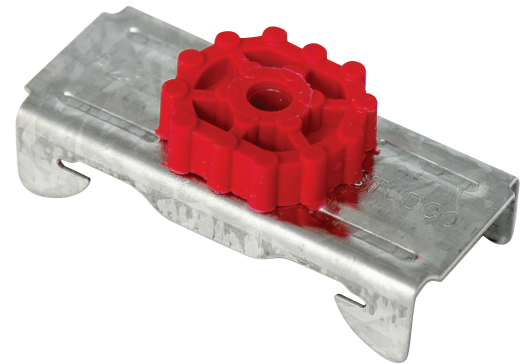
FEATURES

- Engineered thermoplastic rubber outperforms standard rubber because of its sound absorbing characteristics.
- A237R can be used with any wood, steel, CMU or concrete application.
- A237R decouples gypsum board from the structure.
- A237R is UL approved in 118 wall and ceiling assemblies.
- Consistent and reliable quality – manufactured under ISO 9001 quality control system.
- Resilmount is the most cost effective way to isolate airborne noise.
- A237R clips can be used to suit 7/8" and 1 1/2" furring channels.
- A237R are provided with a 1/4" hole for a variety of fasteners.



DYNAMIC CHARACTERISTICS

Resilmounts patented thermoplastic rubber outperforms standard rubber because of its unique natural absorbing characteristics. Resilmounts unique sound cell design guards against structure borne vibrations transferring into the body of the resilmount because of its strong column design providing a small percentage of contact surface area with the structure or substrate it is fastened to. This aids in absorbing and breaking up airborne sound at its transfer point.



Resilmount A237R

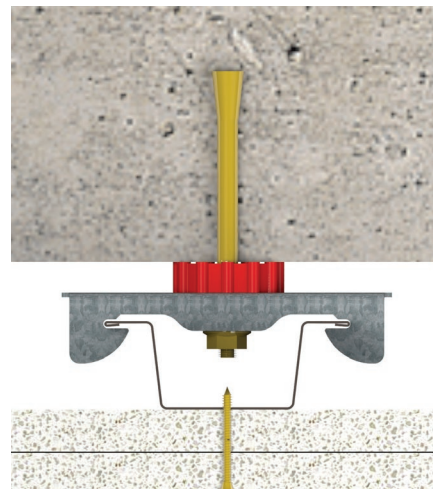


Datasheet



INSTALLATION NOTES

- A237R to be fastened to structure with a minimum #8 screw or masonry sleeve anchors. (See fasteners manufacturers specifications).
- Acoustical design load: 36lbs
- Maximum spacing of clips on furring channel is 48".
- Spacing between furring channels should not exceed 24".



RELATED PRODUCTS

- A96R Resilmount Clip with right angle bracket.
- A237 Resilmount Clip without rubber.
- A48R Resilmount Right angle bracket.
- A24R Double Resilmount bracket.



SPECIFICATIONS

Code	Clip Height	Metal Thickness	Clip width x length	Height of rubber*
A237R	1 1/8"	0.047"	1 3/8" x 3 1/8"	3/8"

*Height of rubber on top of clip



WARRANTY

This product is covered by a year guarantee. Conditions and limitations of guarantees and warranties are set out in Studco Project Guarantee certificate.



FURTHER ASSISTANCE

Contact the technical engineering team at Studco Technical Services for assistance with specifications, product selection, acoustic engineering and structural engineering enquiries. Tel: 800.675.8023 or email sales@resilmount.com



ACCREDITATION/CERTIFICATION



UL & Warnock Hersey Listed