

Information used for this guide, courtesy of:
TacomaWorld: [pc3coyote](#)

Tools Not Included But May Be Required

- 10mm socket
- Phillips screw driver
- Electrical tape (if required)
- Zip ties (if required)
- Trim removal picks and prys
- Dremel (may not apply)



Time Requirement ~ 2.5 hours

Lost/Broken Part Replacement Numbers On Last Page Of This Guide

DISCONNECT THE BATTERY BEFORE YOU BEGIN INSTALLATION

Step 1 Removing Door Panels

1-A. Remove felt inside door handle cubby with pick.



1-B. Remove plastic guard behind door handle with pick



1-C. Remove three fasteners securing door panel



1-D. Remove two Phillip screws



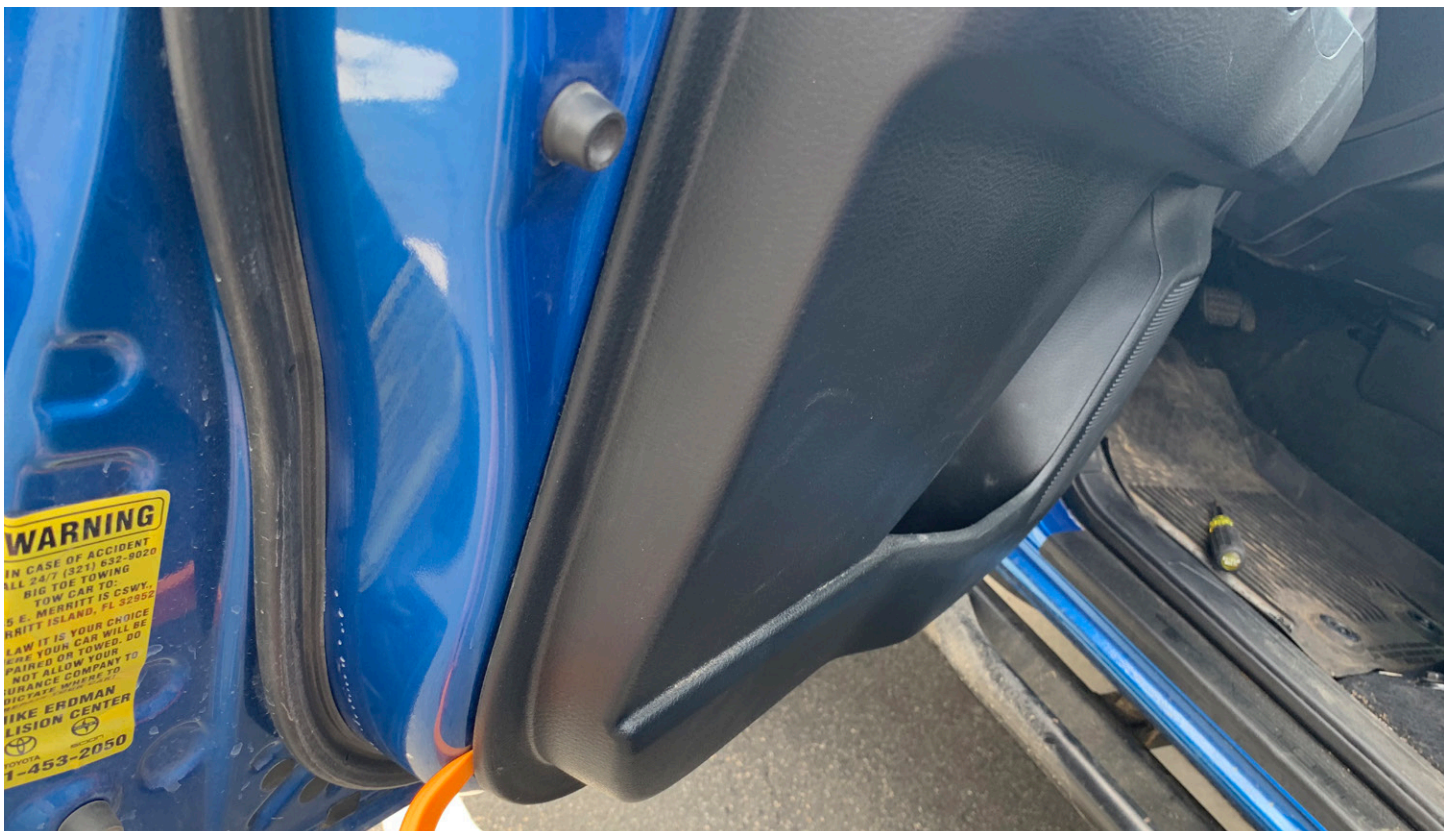
1-E. Push the center button in, located on the plastic panel and then pry outside with pick



1-F. Remove the upper mirror trim piece with trim removal tool



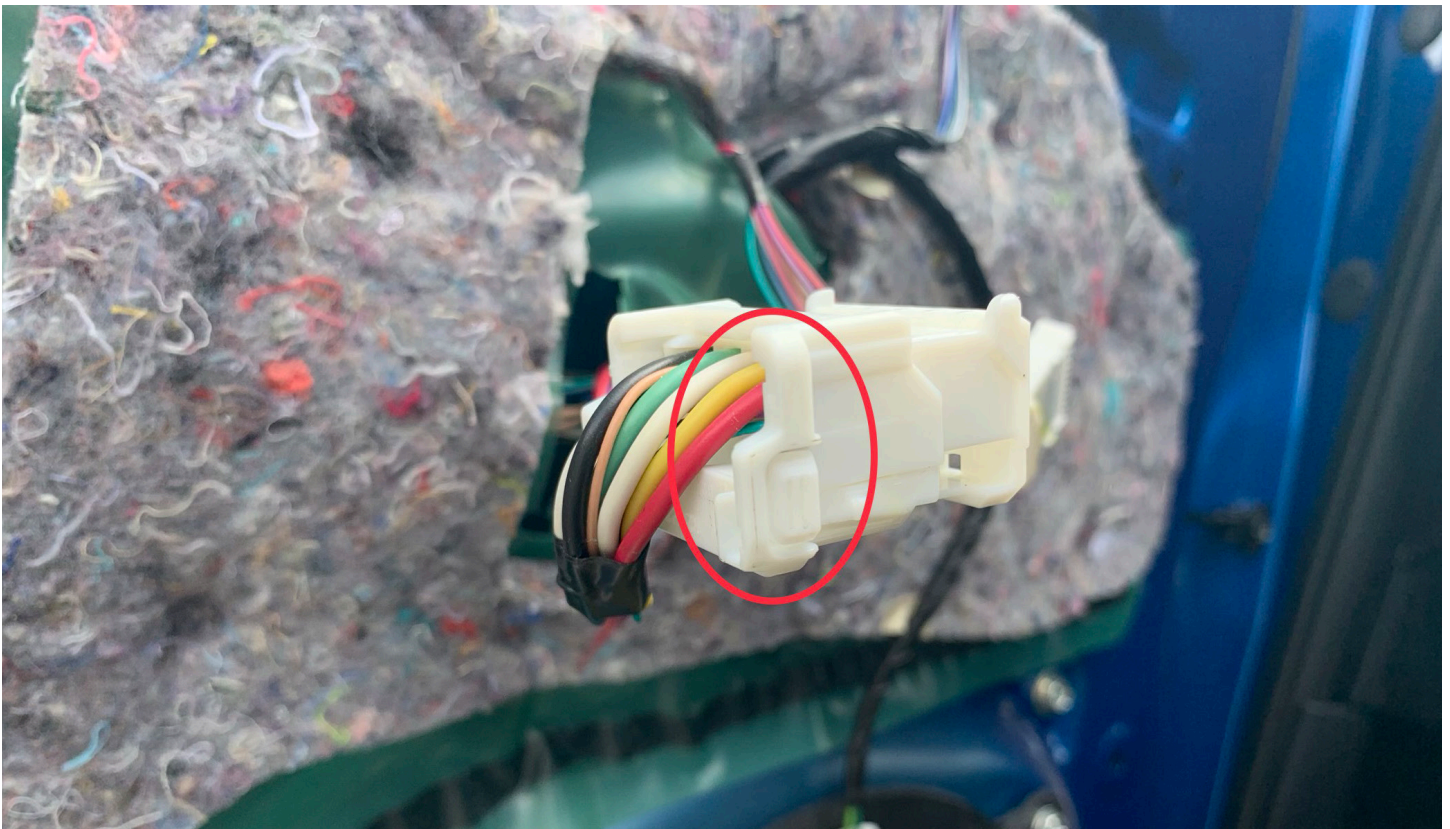
1-G. Remove door panel with trim removal tool starting at the bottom pulling hard and sliding up towards the window



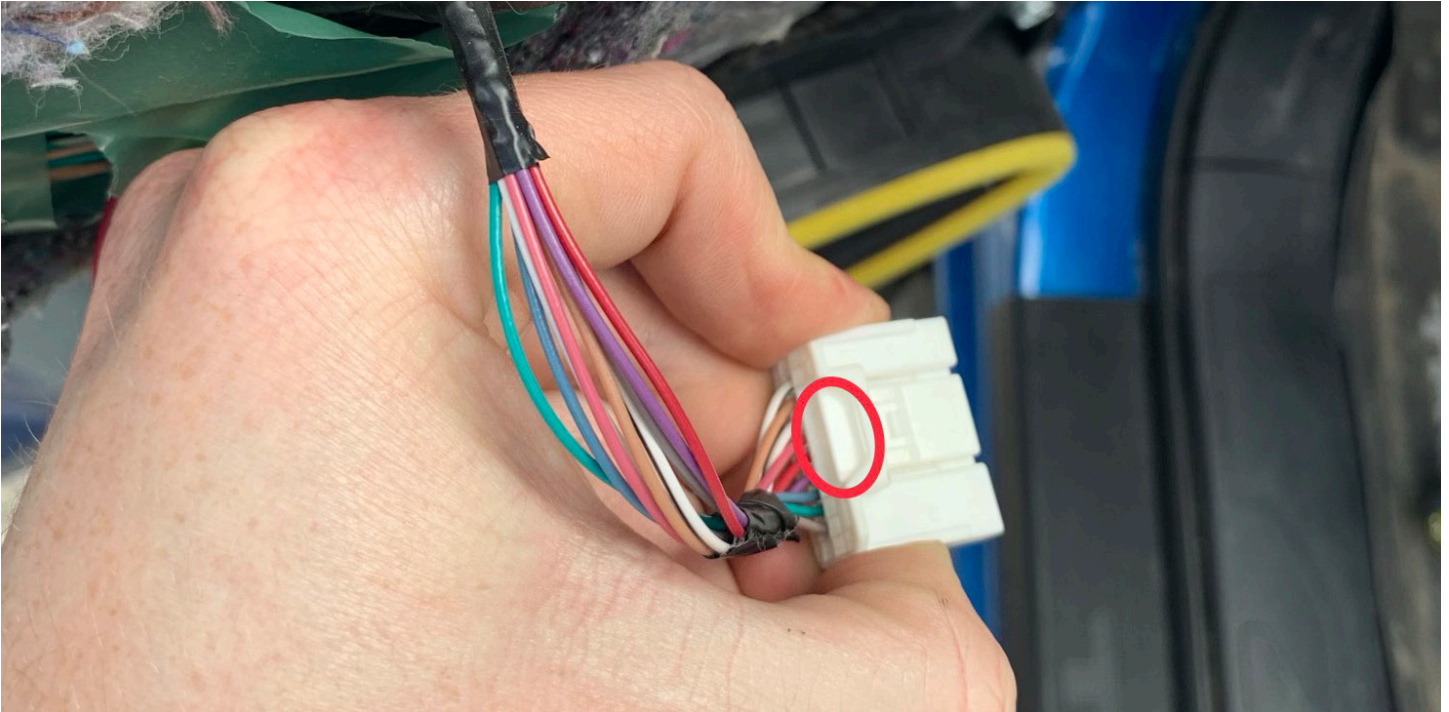
1-H. Slide out two door handle cables



1-I. Disconnect the first of two electrical plugs, the larger plug has a release tab you press down and a collar that slides back.



1-J. Disconnect the second of two electrical plugs. The smaller one has a release tab you press down.

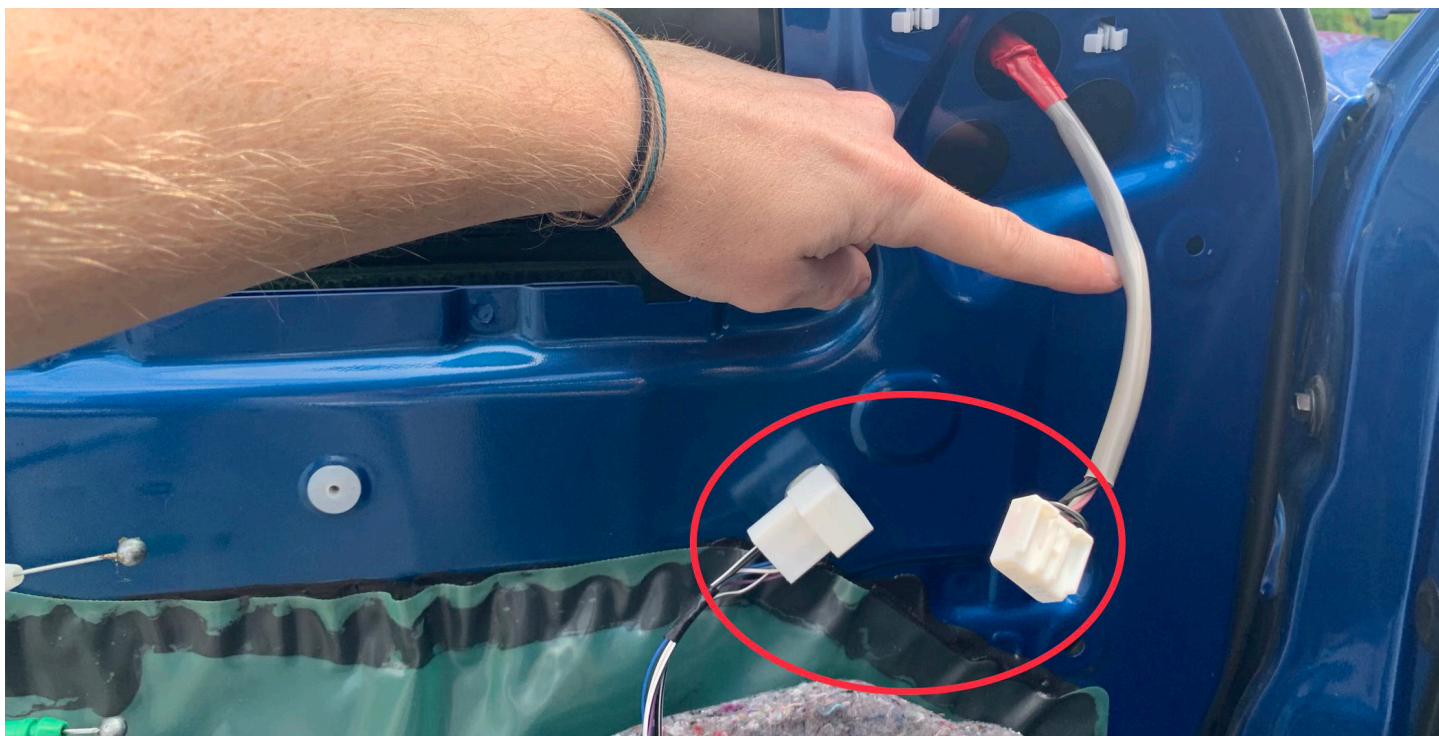


1-K. Set door panel aside. Repeat for the passenger side

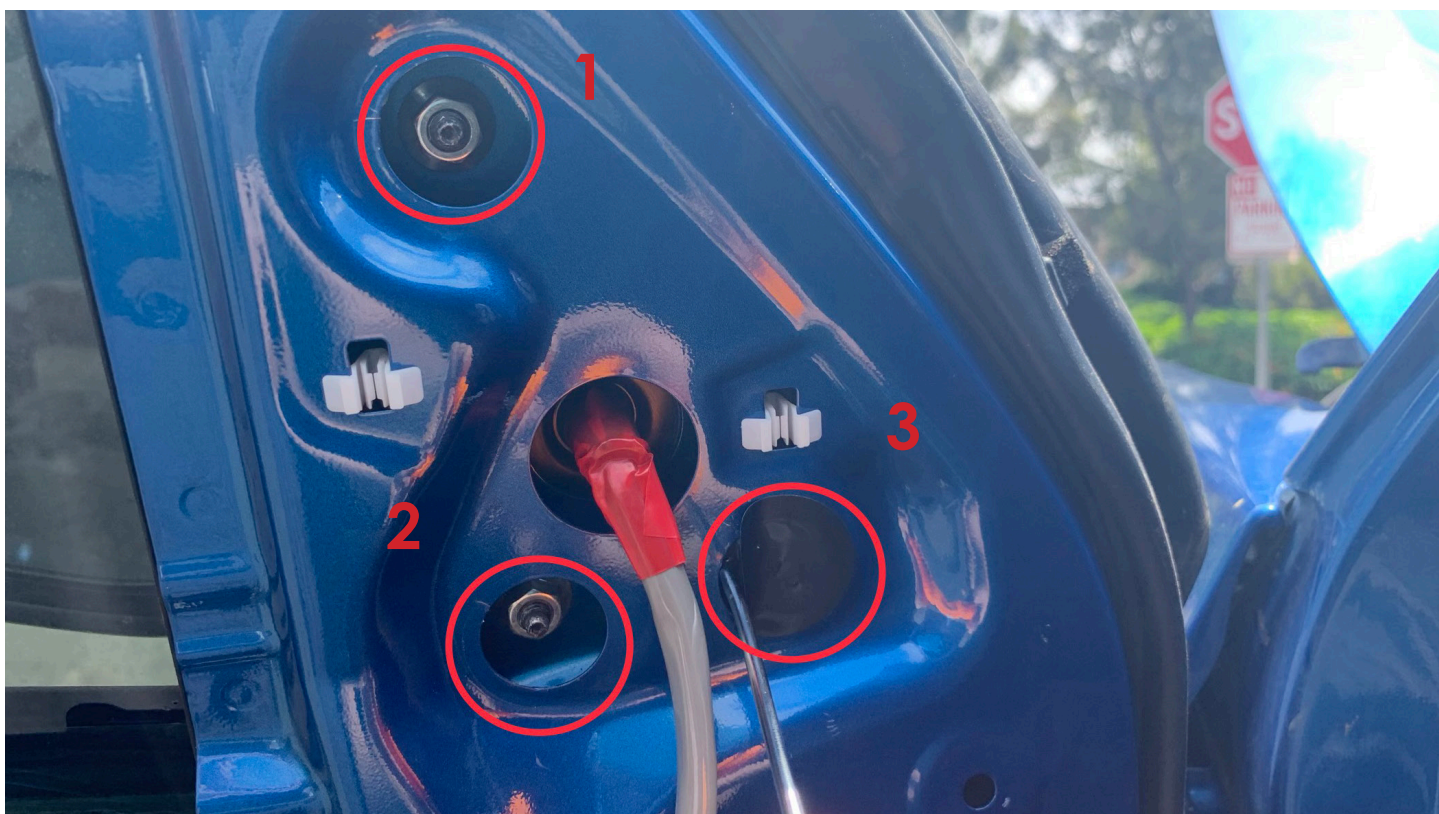


Step 2 Installing the Puddle Lights

2-A. Disconnect mirror plug



2-B. Remove three black tape pieces covering the bolts securing the mirror with pick



2-C. Remove three nuts off the mirror bolts passing through the door with a 10mm socket **while holding the mirror on the outside of the door so it doesn't fall**



2-D. Remove the mirror from outside the door by sliding the bolts through the door once the nuts have been removed

2-E. Disconnect the 10" extension from the meso harness

2-F. Remove the tape on the mirror cable pass-through



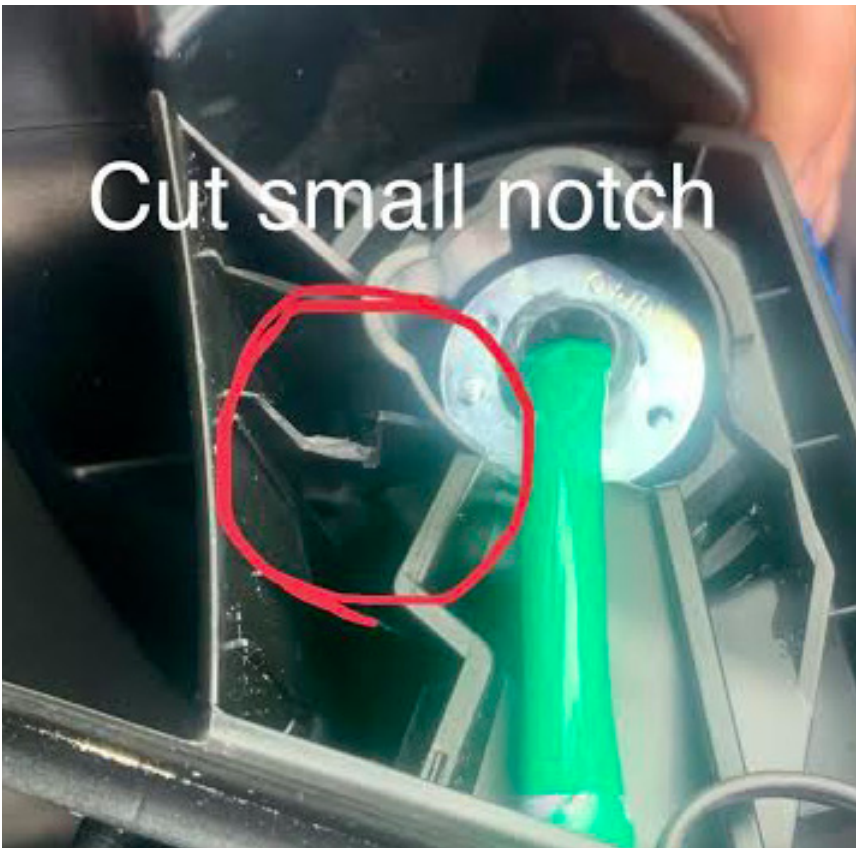
2-G. Remove lower mirror trim piece with pick



2-H. Fish 10" extension through mirror trim piece and then through mirror arm



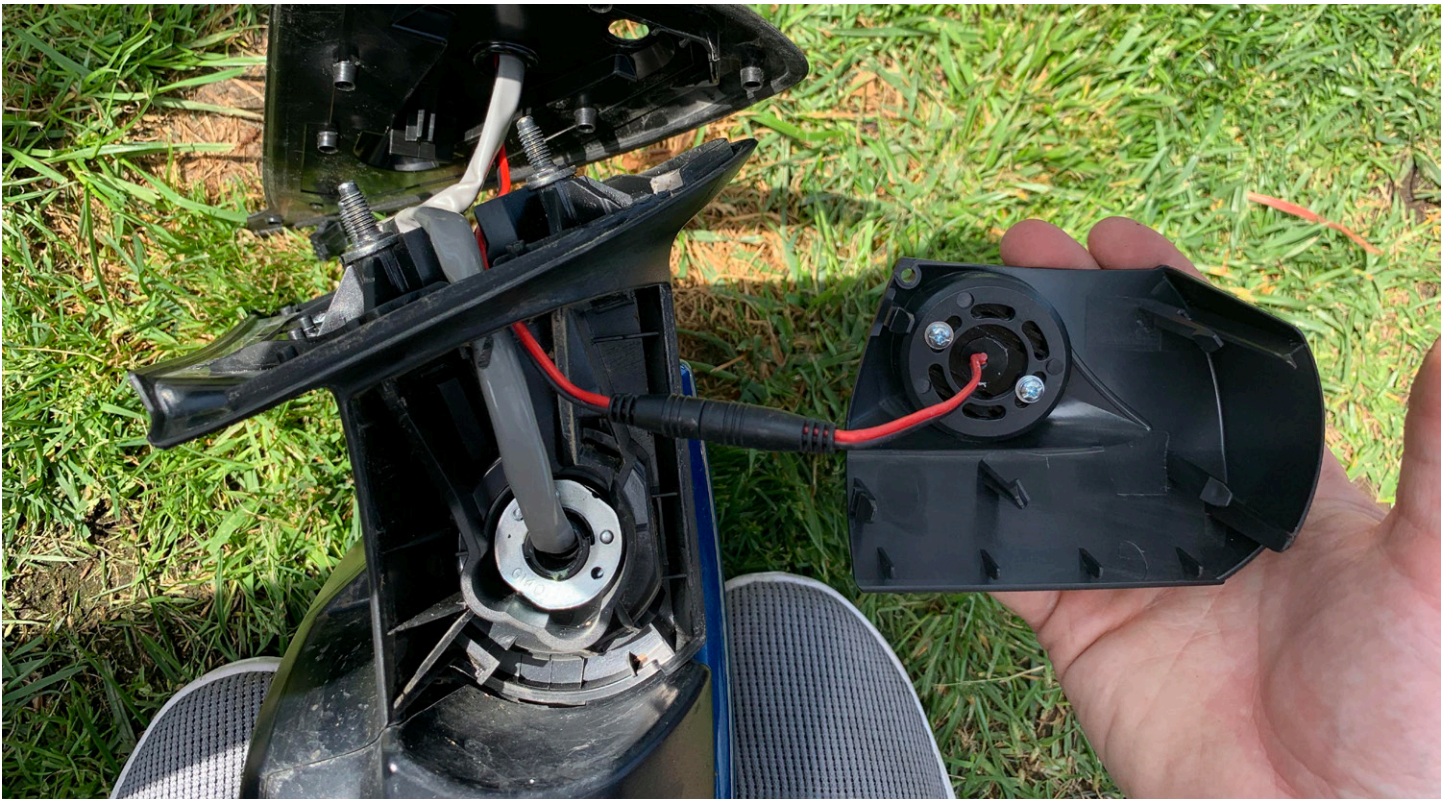
2-1. NOTICE: There may be clearance issues with the **PASSENGER** side puddle light shell being unable to seat properly. To fix this, use a pair of tins snips or dremel tool to cut away at a small section of the inside side mirror (not puddle pod) illustrated below.



2-J. CONTINUED



2-K. Connect the extension to the puddle light and snap it into place

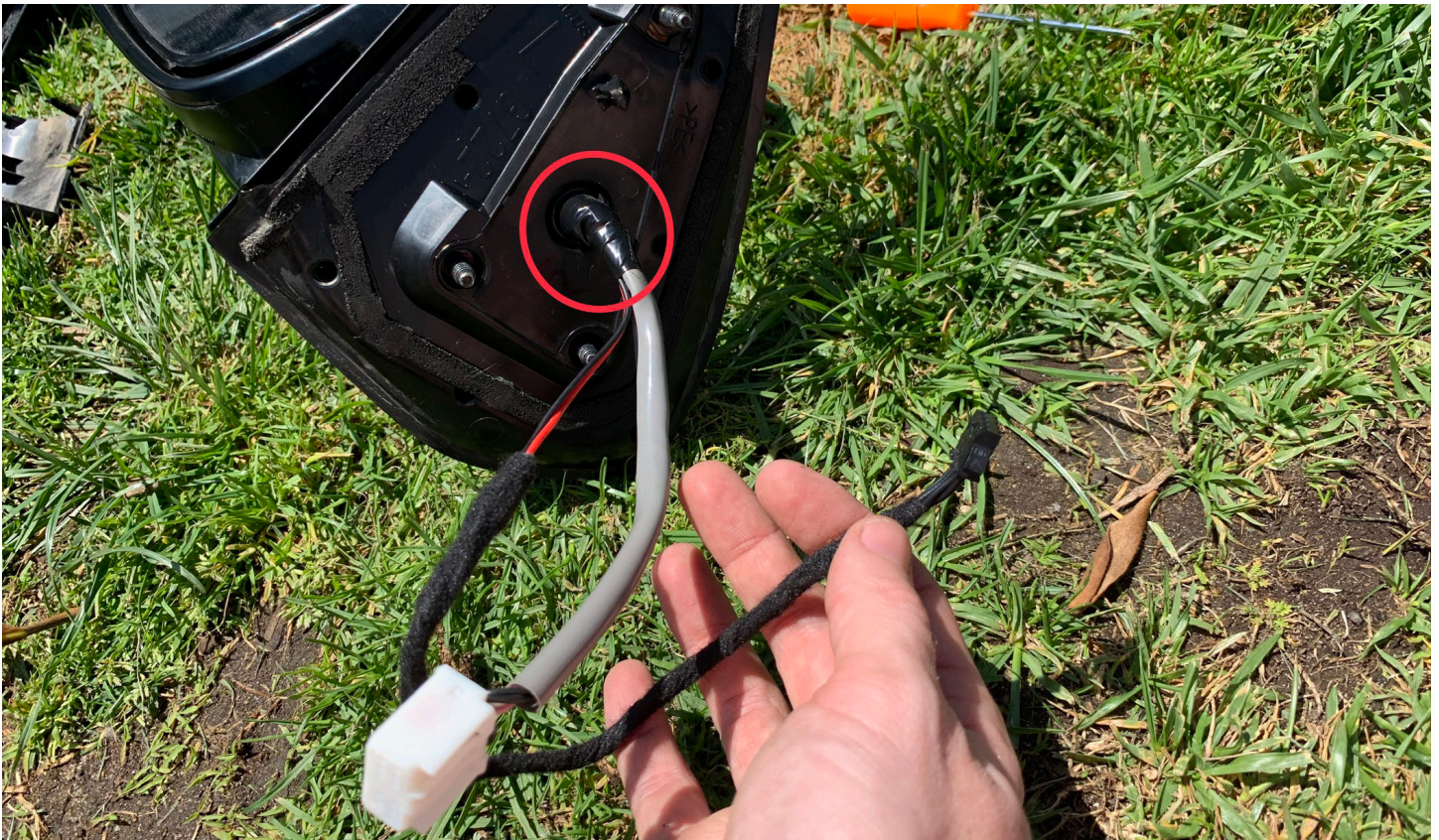


2-K. CONTINUED

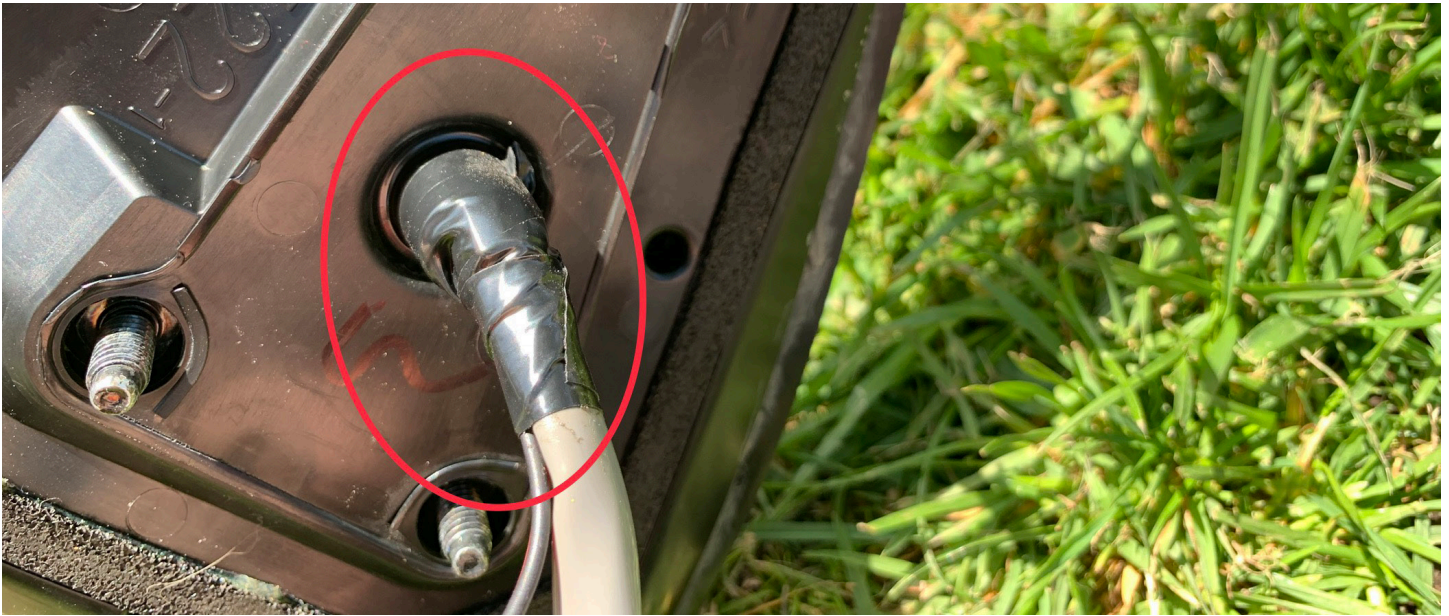


2-L. Pull out slack of cords and push the trim piece flush onto the mirror

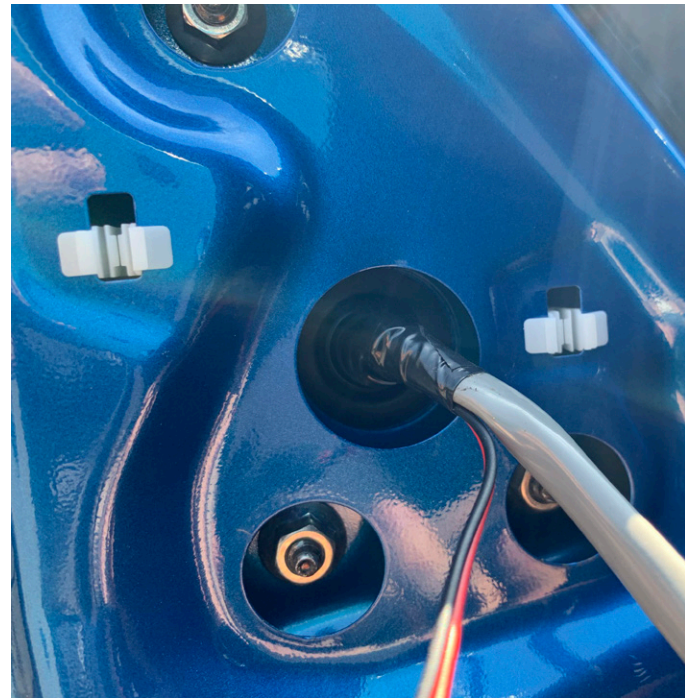
2-M. Re-wrap the cables coming out of the pass-through with electrical tape



2-M. CONTINUED



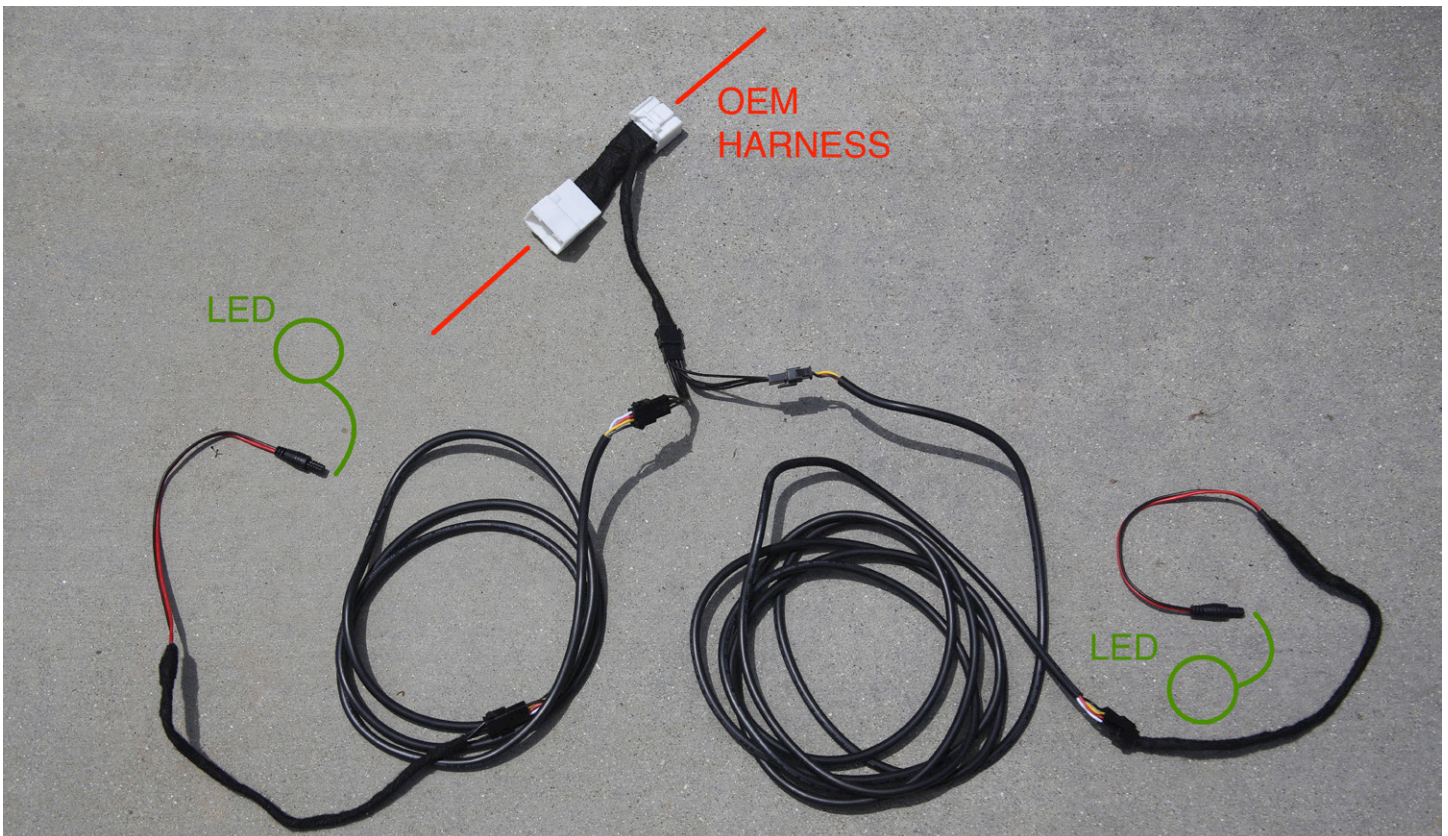
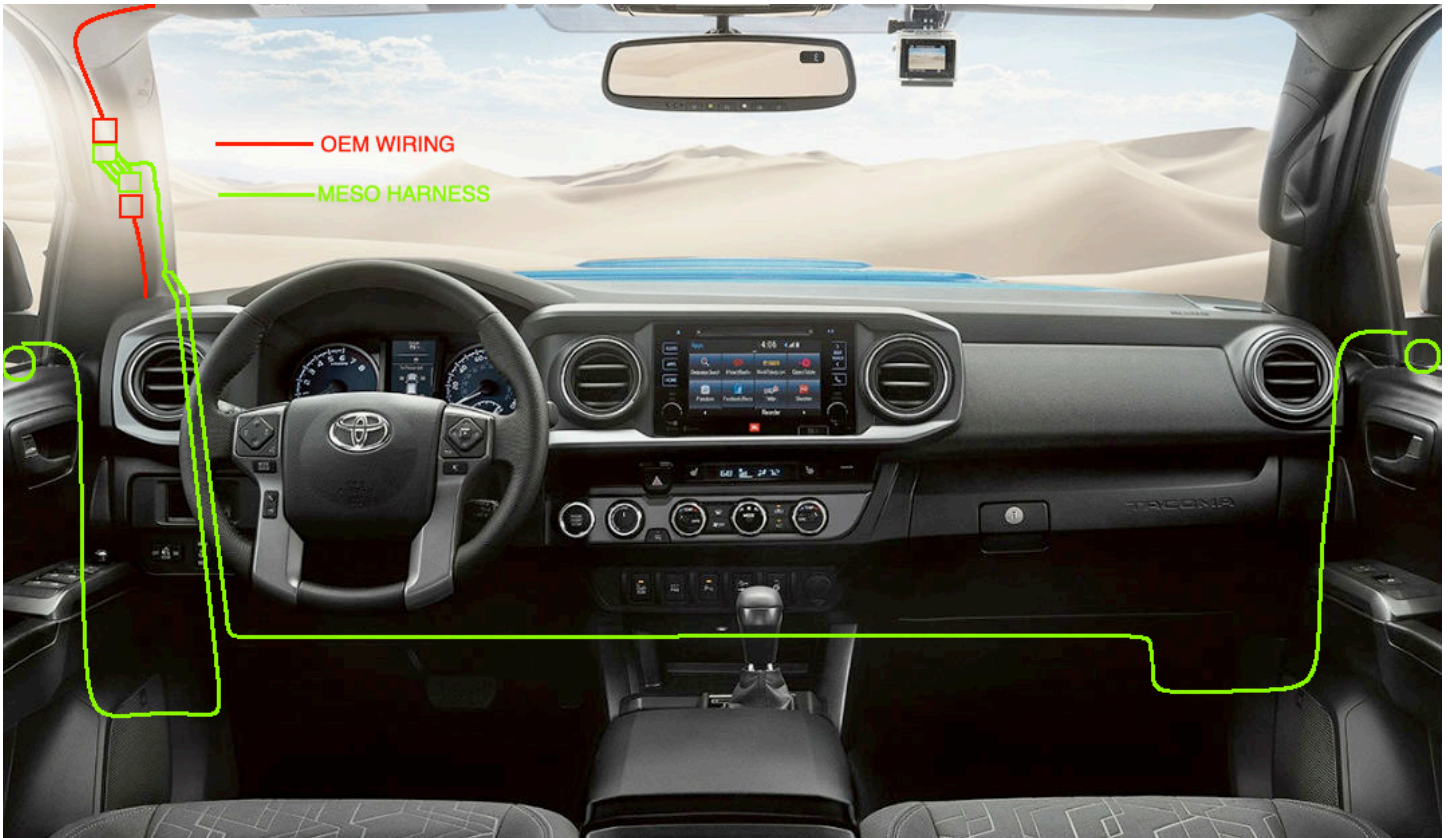
2-N. Reinstall mirror from outside door with 10mm socket to reinstall the nuts onto the bolts while passing the cords through the door and holding the mirror in place



2-O. Repeat for passenger side

Step 3 Installing the Harness Leads

3-A. Overall wiring



3-B. Remove Floor mat

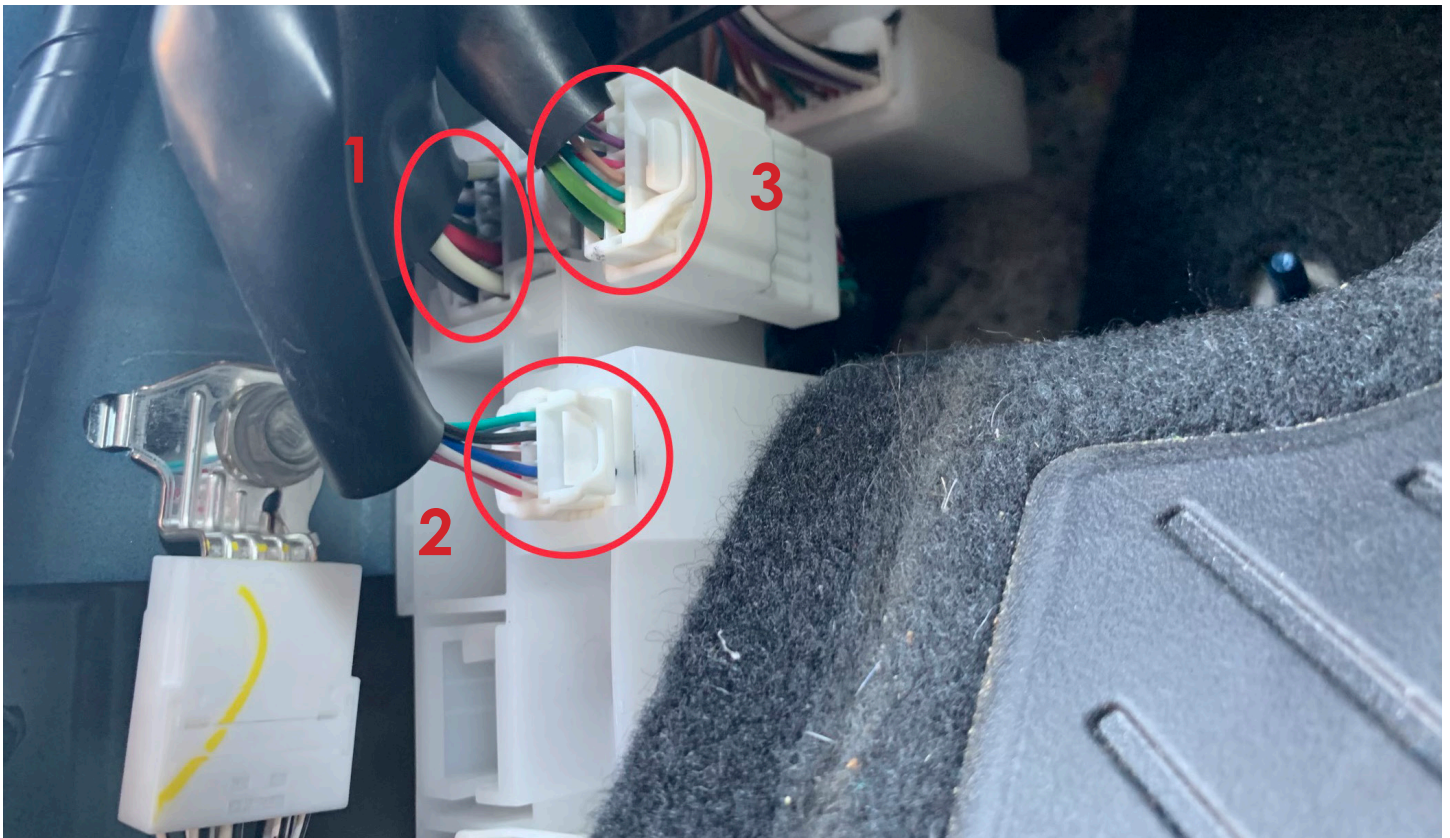
3-C. Remove lower kick panel trim piece with tool



3-D. Remove twist cap nut with your hand and then pull side foot well panel trim piece out



3-E. Disconnect three plugs in the driver foot well



3-F. Between the door and the cab, pop off boot from door with pick careful not to hit wires by slowly prying around the edge

3-G. Pop off boot from the cab side by prying on around the edge on the outside with the pick and pushing from inside the cab and cut the electrical tape securing the open end of the boot that goes into the cab



3-G. CONTINUED



3-H. Take the shorter lead side of the meso harness and add some tape around the extension connector and its wires (if required) so the wires don't pull out and so the connector release tab doesn't snag on the boot as you push it through



3-I. Feed the meso cable through the cab pass through to outside



3-J. Push the connect through the boot which is a little bit of a pain in the butt but have patience, it helps to have one hand stretch the boot as you use the other hand to push the connector through with your finger, once you get it more than halfway you can roll the opposite side of the boot back to expose the connector and pull it the rest of the way, be very careful to not rip any of the factory cords or damage the boot



- 3-K.** Make a small cut in the door plastic lining to reach your hand into the door to pass yourself the meso cable
- 3-L.** Pull the cable through and connect it to the end of the extension that's coming through the top of the door
- 3-M.** Feed the longer lead side of the meso harness through the small hole of the carpet under the console to the passenger side



- 3-N.** Feed cable under carpet in passenger foot well, it just lifts up



3-O. Repeat for the passenger side

3-P. There's only two plugs to disconnect for the passenger foot well



Step 4 Installing the Harness to OEM Connections

4-A. Remove the three 10mm bolts holding the lower dash piece in place with the 10mm socket



4-B. Gently pull the lower dash piece down to disengage the 11 clips holding it in place

4-C. Use the pick to remove the plastic piece in the a pillar that is covering the bolt



4-D. Use the 10mm socket to remove the bolt and pull the a pillar cover off

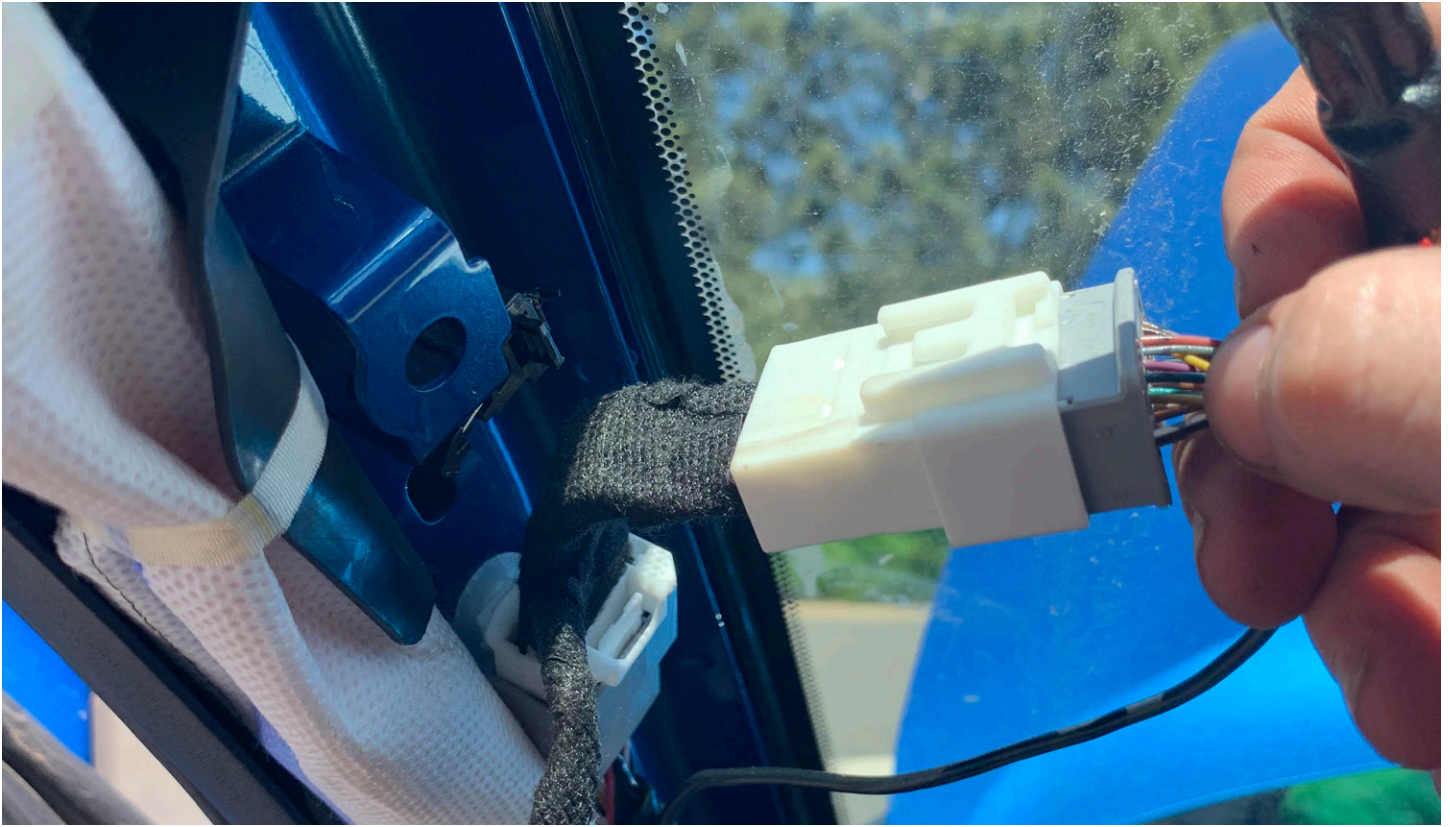


4-E. Feed the large end of the meso harness behind the dash towards the a pillar

4-F. Disconnect the OEM harness and plug the OEM female into the meso male and the OEM male to the meso female, you may need to cut the zip tie securing the OEM harness to do this



4-F. CONTINUED



4-G. Tuck the extra slack of the meso harness in ensuring nothing is getting in the way or possibly interfering with the airbag



Step 5 Reconnecting

5-A. Reconnect battery negative terminal with 10mm socket

5-B. Test by opening and closing your doors and unlocking and locking your doors to ensure the puddle lights come on with the map/dome lights (ensure the map lights switch is set to the center function to be triggered by the door)



5-C. Tape the meso harness to the existing mirror harness in the door

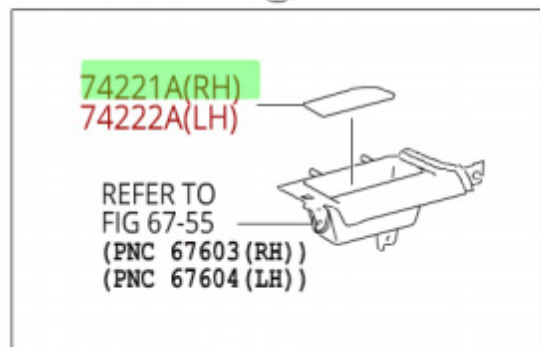
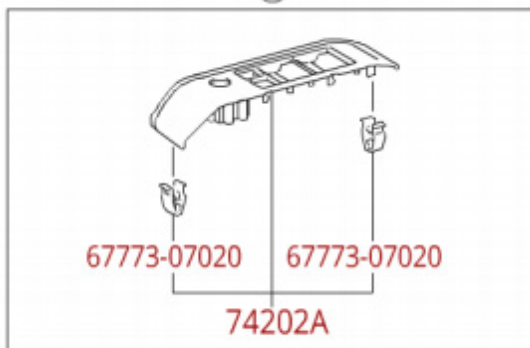
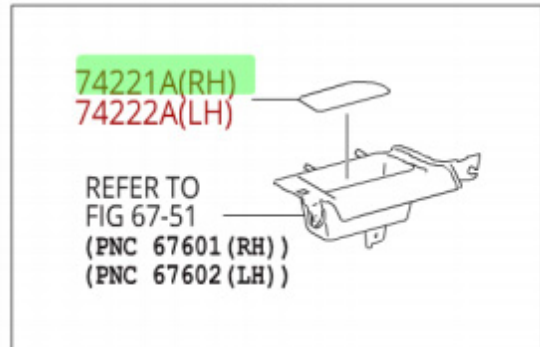
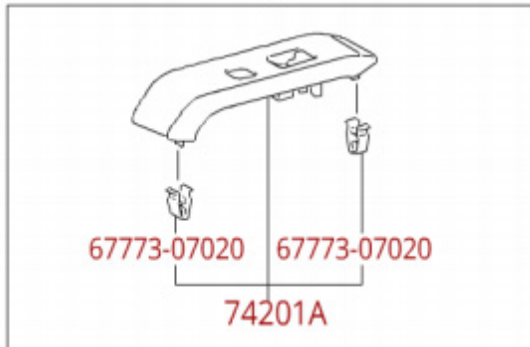
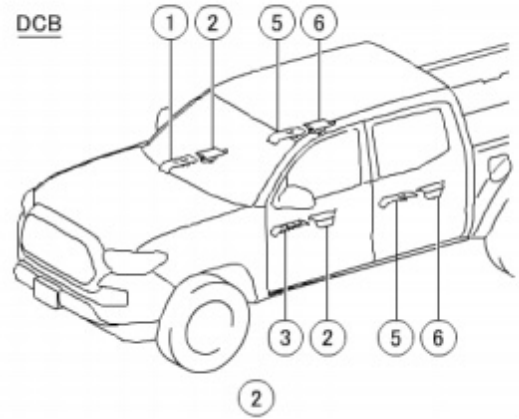
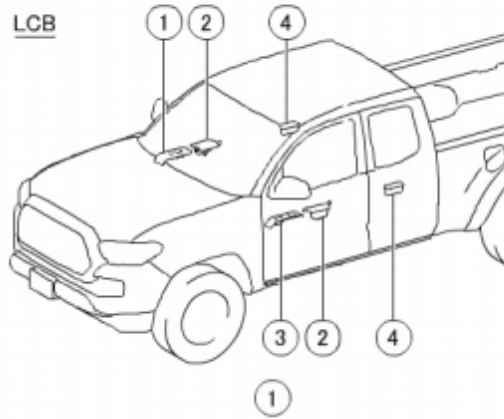


- 5-D.** You can add tape if needed to the plastic lining on the door if you had to cut it to pull the meso extension wire through
- 5-E.** Reconnect the door panel electrical plugs and the two cables for the door handle ensuring you snap the ends of the connectors for the door handle wires into the trim on back side of the door panel, the door handle wire connectors have notches for this
- 5-F.** Lift the door panel back onto the door starting at the top near the window and sliding down before pressing all of the plastic clips into place
- 5-G.** Snap the top mirror trim back into place being careful to not lose the three plastic clips that secure it in the door
- 5-H.** Screw back the two phillips head screws in the door, the larger screw is for the cubby and the smaller one is for behind the door handle
- 5-I.** Snap the plastic insert back into place
- 5-J.** Reinstall the felt and plastic trim pieces for the doors
- 5-K.** Push the rubber boot back into the door and cab
- 5-L.** Repeat or the passenger side
- 5-M.** Reinstall the a pillar trim piece using the 10mm socket and snapping the cover back over the bolt
- 5-N.** Snap the lower dash piece back into place and secure with 10mm bolts
- 5-O.** Tuck any extra wiring up behind the lower dash piece and secure with zip ties (if required)
- 5-P.** Reinstall the side foot well trim piece and tighten with twist nut
- 5-Q.** Reinstall lower kick panel
- 5-R.** Reinstall floor mat
- 5-S.** Repeat steps for the passenger side



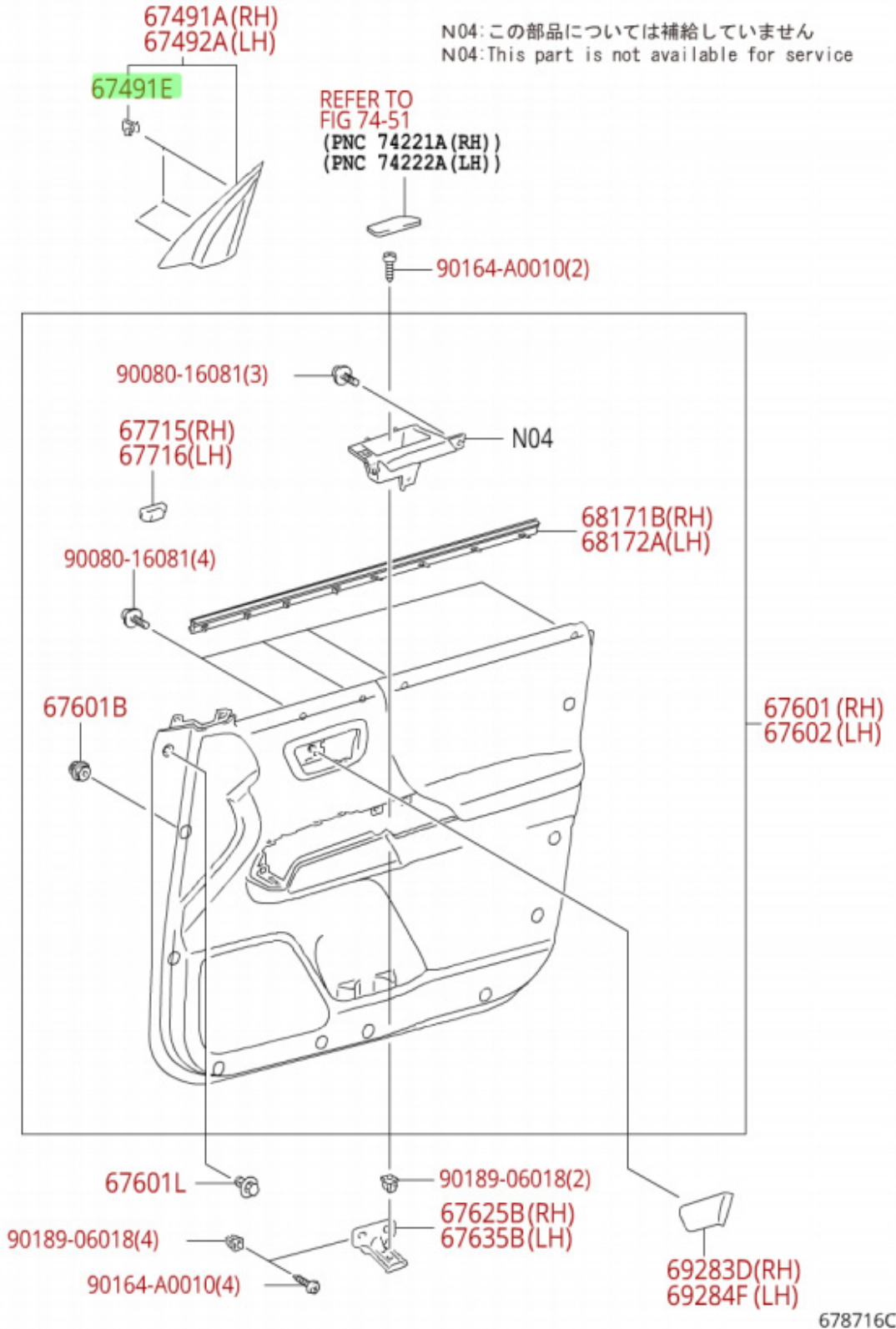
Door Handle Felt

Toyota U.S. > TACOMA > 2017 > NAP > 3 - Body Group > 74-51 - ARMREST & VISOR



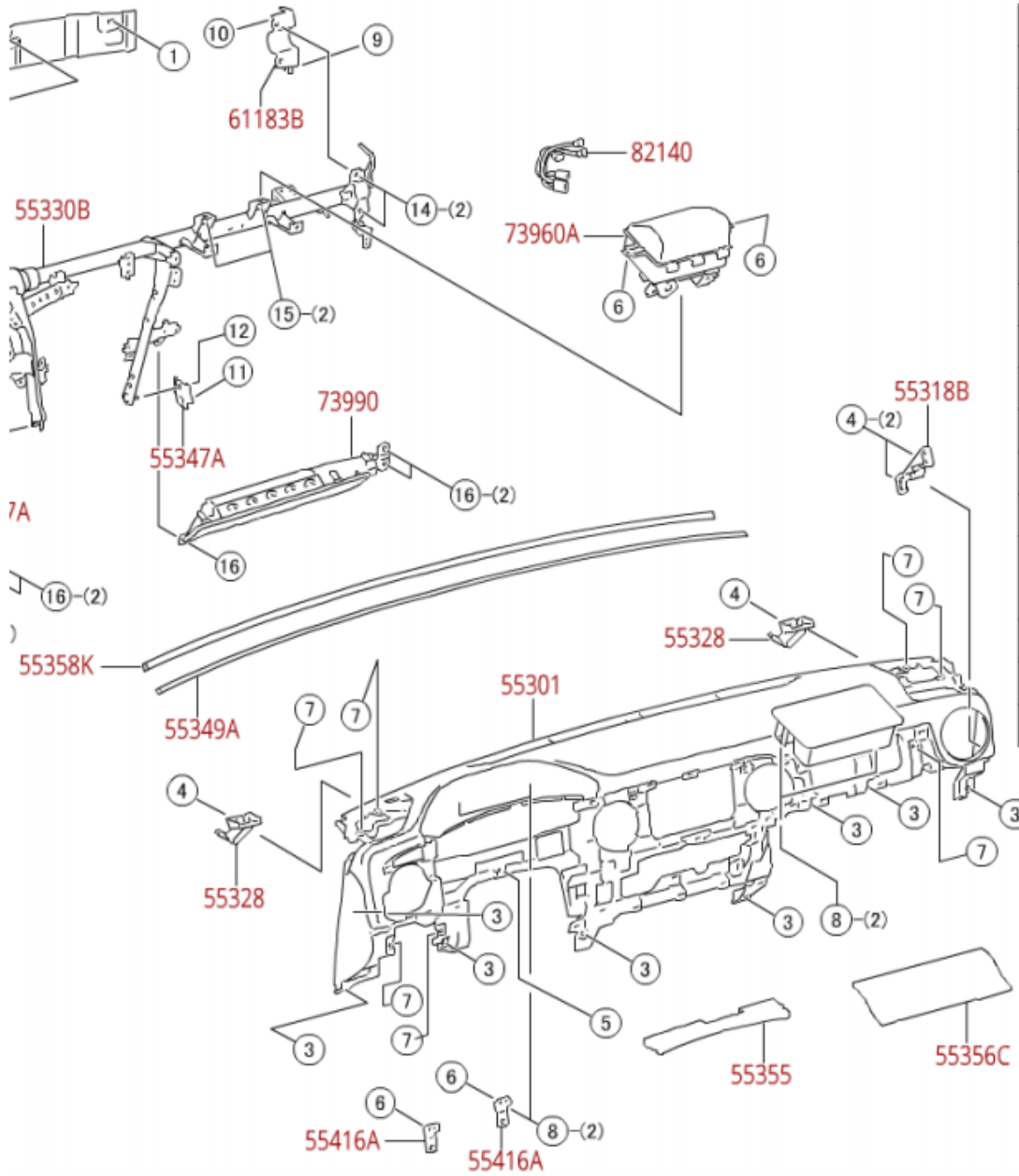
Mirror Trim Clips

Toyota U.S. > TACOMA > 2017 > NAP > 3 - Body Group > 67-51 - FRONT DOOR PANEL & GLASS



Dash Bolts

Toyota U.S. > TACOMA > 2017 > NAP > 3 - Body Group > 55-51 - INSTRUMENT PANEL & GLOVE COMPARTMENT



1		55345-04020
2		55345-04030
3		90080-11353
4		90080-15073
5		※1 90080-17191 ※2 90178-A0023
6		90159-50002
7		90183-A0002
8		94334-15000
9		90119-A0059
10		90178-A0024
11		90080-11697
12		90178-A0016
13		90119-A0157
14		91553-10825
15		90119-A0001
16		90119-A0105

※1 (-1812)
※2 (1901-)

553504A