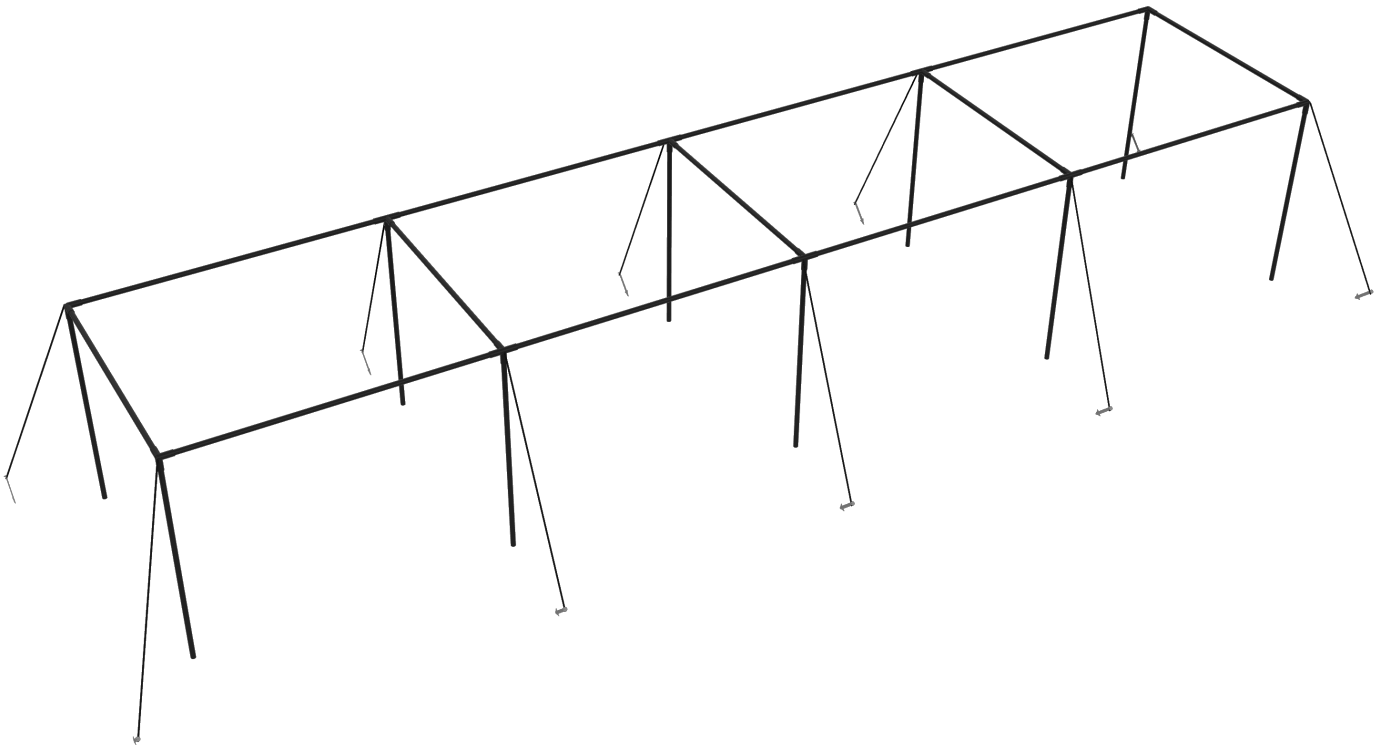


HEAVY DUTY STAKE DOWN KIT ASSEMBLY INSTRUCTIONS



ABOUT THE STAKES

The Heavy Duty Stake Down Kit can be used with the Commercial/KVX200 batting cage to help stabilize the cage during winds. If you are expecting **high** winds please remove your net. Netting will act like a sail, and create tremendous strain on the framework.



HEAVY DUTY STAKE DOWN KIT INSTRUCTIONS

BEFORE YOU BEGIN

Read these instructions fully before starting the assembly process. Please make sure you have all of your parts and pieces. If not, contact our customer service.

What's Included

35ft

(1) 300ft Rope
(6) Carabiner clips
(6) Heavy Duty Stakes

55ft

(1) 300ft Rope
(8) Carabiner clips
(8) Heavy Duty Stakes

70ft

(1) 300ft Rope
(10) Carabiner clips
(10) Heavy Duty Stakes



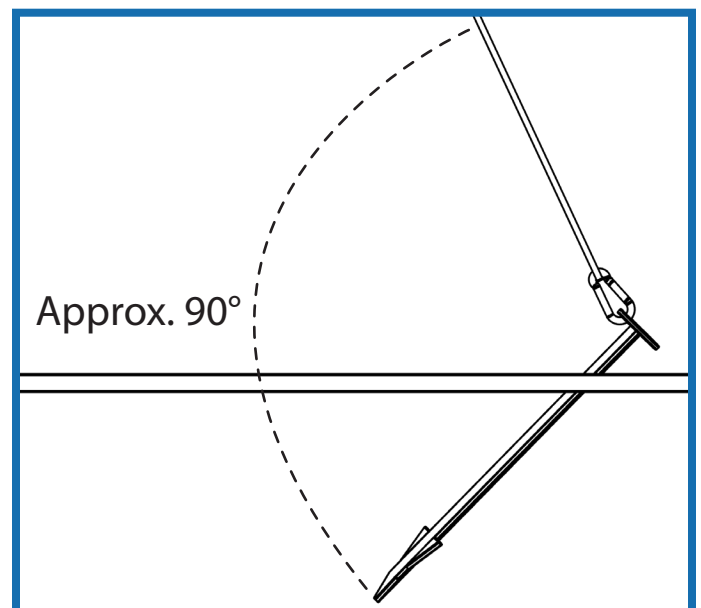
1) Tie the Rope

Cut the rope into sections that are approximately 20' long. At one end of the rope, tie a loop as shown below and pull the opposite end of the rope through this loop. Do this for each of 3-way and 4-way fittings.

Note: These stakes are long and could interfere with underground utility lines. You will need a large rubber mallet or sledge hammer to drive the stakes.

2) Drive in the Stakes

Once you have all of the rope ends on the ground, determine where you will drive the stakes. At the middle of the frame we recommend they be driven into the ground at least 6' (72") out and **perpendicular** to the frame. At the corners we recommend the stakes be placed 6' out at a **diagonal** (see next page). Drive the stakes into the soil at approximately a 90° angle to the rope. Attach a carabiner to the hole in the top of the stake. Pull the loose end of the rope through the carabiner and pull until you achieve the desired tension. Tie a slip knot so it can be adjusted or removed if needed.



HEAVY DUTY STAKE DOWN KIT INSTRUCTIONS

