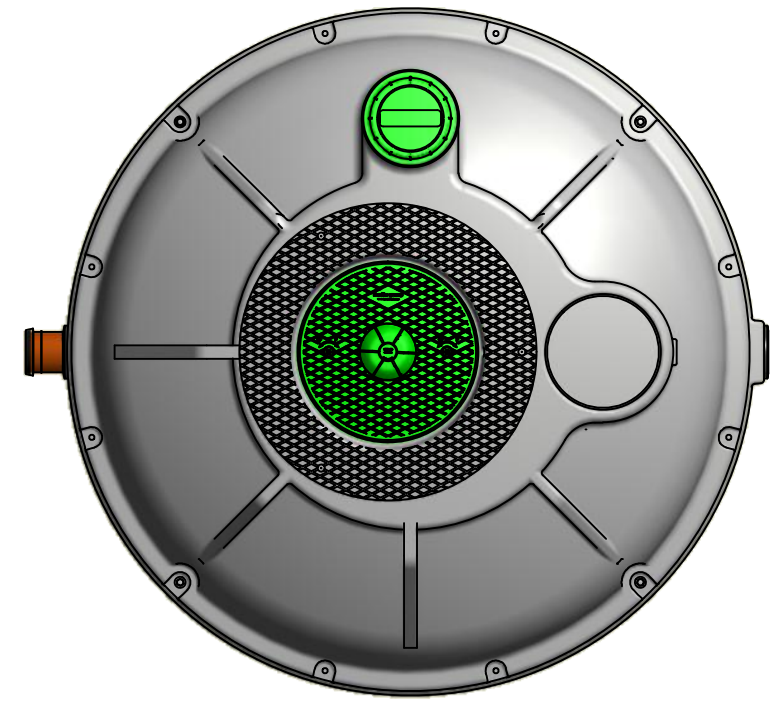
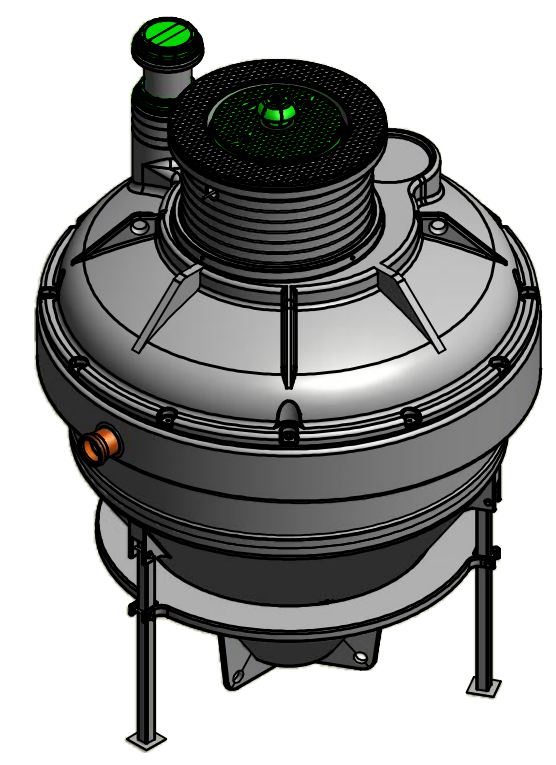
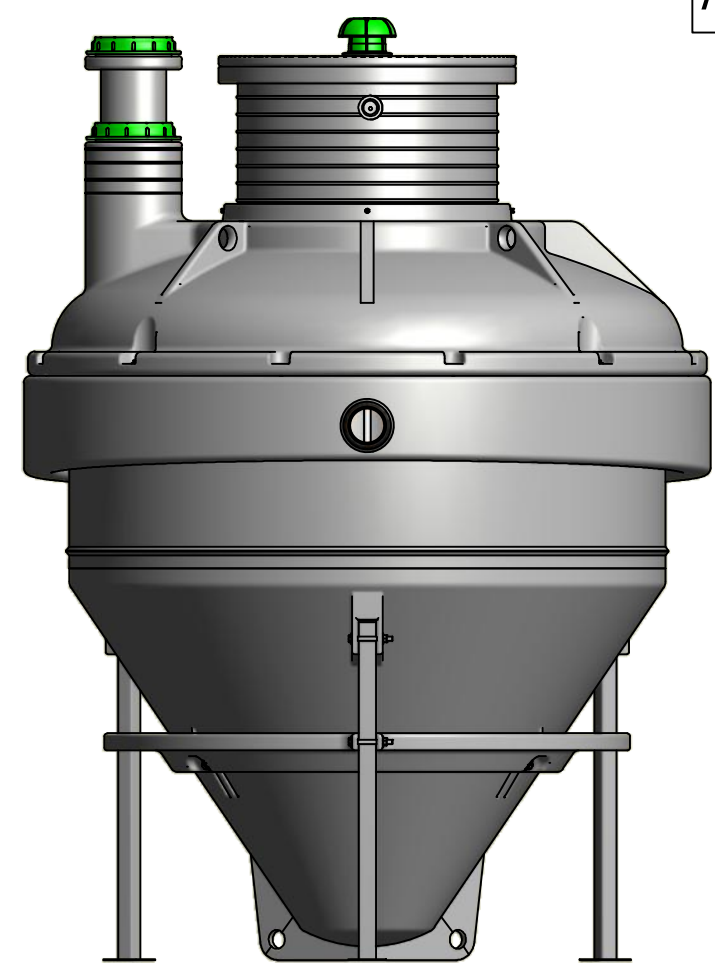
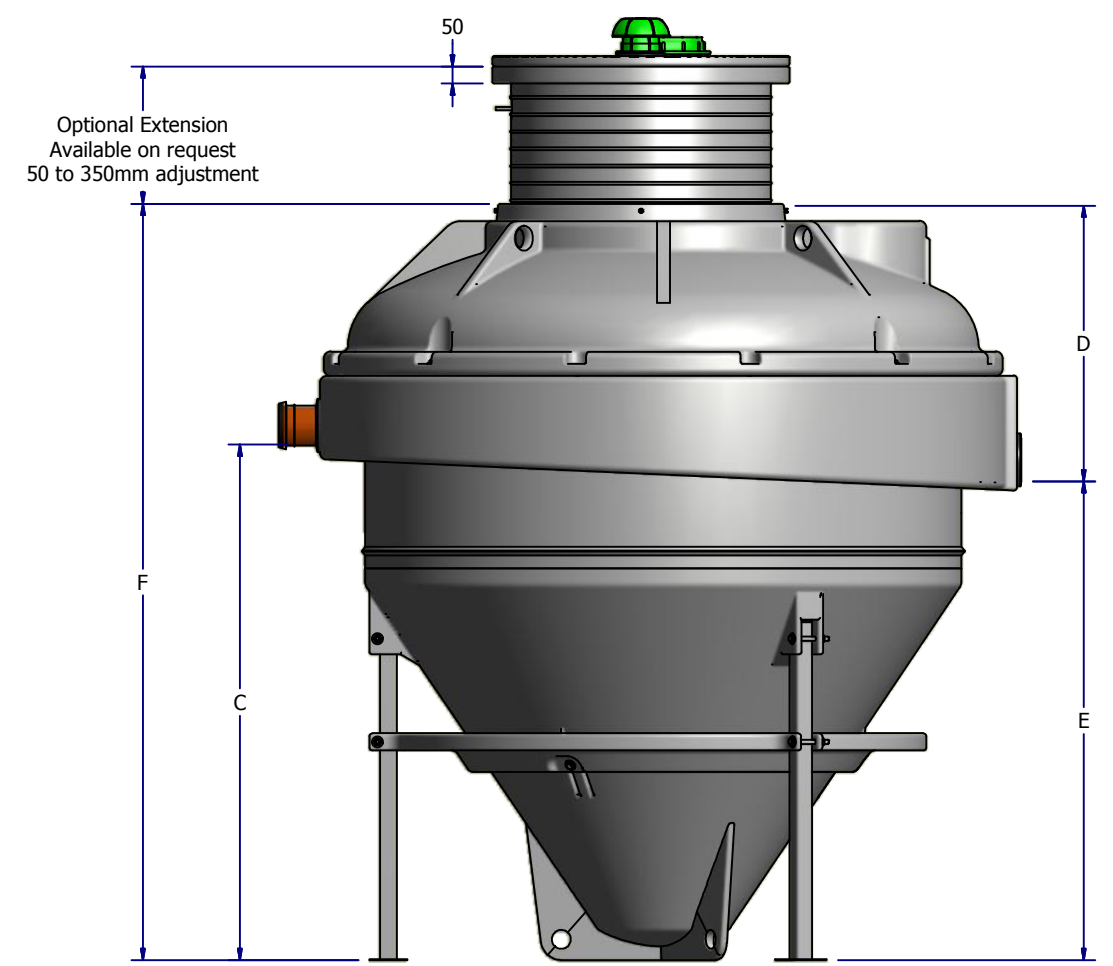


Ø150 Desludge Access



Unit	Dim	TABLE					
		ASP06	ASP08	ASP12	ASP16	ASP20	ASP25
Population Equivalent		6	8	12	16	20	25
O/A Diameter	A	2000	2000	2000	2000	2000	2000
Std Inlet Invert	B	700	700	700	700	700	700
Inlet Invert to Base (mm)	C	1500	1500	1900	1900	2000	2300
Standard Outlet Invert (mm)	D	800	800	800	800	800	800
Outlet Invert to Base -Gravity Discharge (mm)	E	1400	1400	1800	1800	1900	2200
O/A Depth (mm)	F	2250	2250	2650	2650	2750	3050
Pipework Fitting (mm)		110	110	110	110	110	110
Plant Weight (kg)		230	230	300	300	360	440

B	28/08/15	RP	NW	RP	DESLUDGE ACCESS ADDED
A	10/04/15	RP	LT	RP	Issued for information
REV	DATE	BY	CHKD	APPD	DESCRIPTION
DO NOT SCALE IF IN DOUBT ASK ALL DIMENSIONS IN MM		TOLERANCES (unless noted otherwise) GENERAL LINEAR DIMS : +/- 5mm ANGULAR DIMENSIONS : +/- 1/2~		THIS DRAWING IS THE PROPERTY OF PREMIERTECH AQUA LTD AND IS NOT TO BE COPIED IN PART OR WHOLE WITHOUT WRITTEN PERMISSION	

Stock Code:

Designed by rpoteaux 10/04/2015	Checked by LT 10/04/2015	Approved by RP 10/04/2015
PREMIER TECH AQUA		Conder ASP 6-25PE Conder ASP 6-25PE Sales