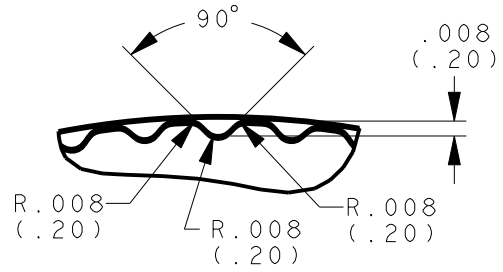
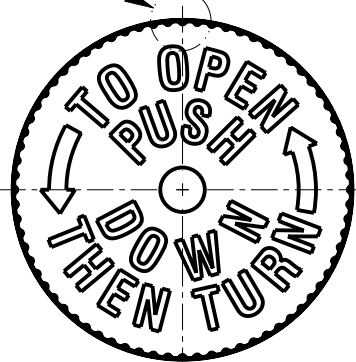


DESCRIPTION	MATERIAL	WEIGHT (REF)	MOLD NUMBER
20mm PURSE PAK CR CLOSURE	POLYPRO	1.2	CM-8443-1
20mm PURSE PAK VIAL	POLYPRO	9.0	CM-8442
20mm PURSE PAK PLUG LINER	LLDPE	.4	CM-8444

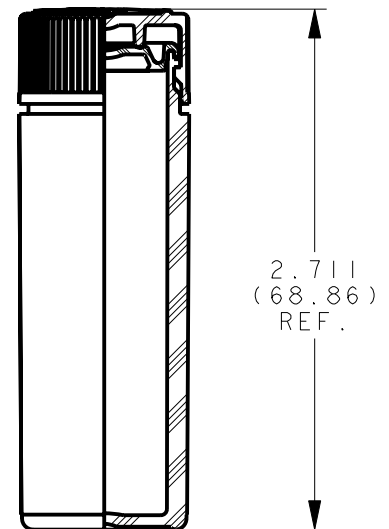
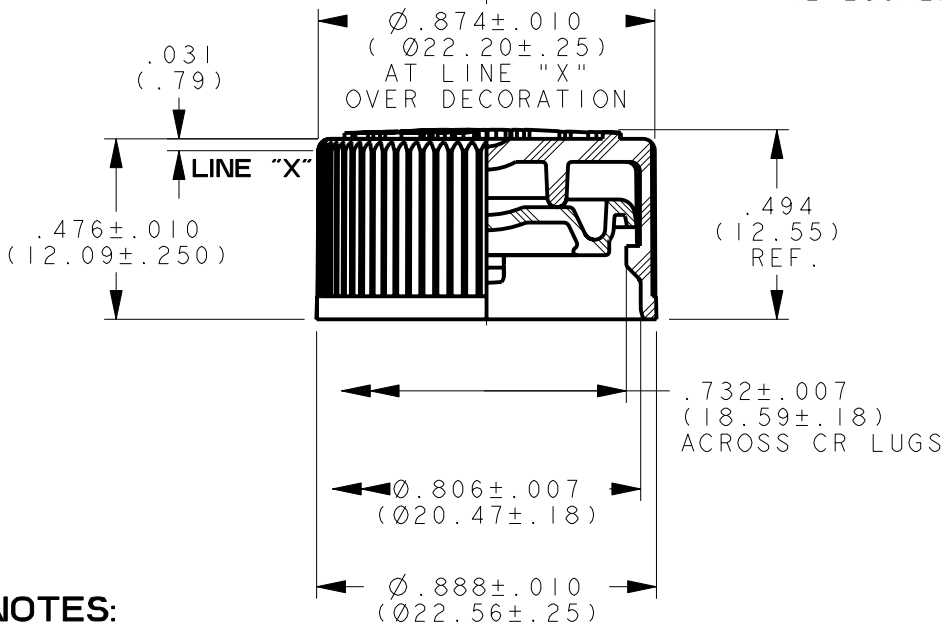
SEE DECORATION DETAIL



**DECORATION DETAIL**

REFERENCE ONLY  
SCALE 10:1

72 EQUALLY SPACED DECORATIONS



**VIAL ASSEMBLY**

SCALE 1:1


**NOTES:**

DIAMETERS ARE TO BE TAKEN AS AVERAGE.

20mm PURSE PAK VIAL DWG# QIM-485-4

ENGLISH DIMENSIONS IN INCHES  
METRIC DIMENSIONS IN (mm)

REVISION D - 11/3/2011

DIMENSIONS ARE REPRESENTATIVE ONLY. FINAL SIZES TO BE DETERMINED AFTER PART IS MANUFACTURED.	MATERIAL	TOLERANCES UNLESS SPECIFIED			
		DEC.	DEGREES ±1°		
[F#] = FUNCTIONAL DIMENSION	GRAM WEIGHT		CI#	"T"	
				"E"	
	Mold No.	PROD.		TITLE <b>CUSTOMER DRAWING</b>	
		SAMPLE		20mm PURSE-PAK CR CLOSURE AND VIAL ASSEMBLY	
	SCALE 2:1 & NOTED		DRAWN S.E. KELLOGG	FOR STOCK	
	DATE 4/25/97		CHECKED P.J. ROBINSON	DRAWING NUMBER	
<small>NOTICE: THIS UNPUBLISHED WORK IS THE PROPERTY OF BERRY PLASTICS CORPORATION AND IS PROTECTED BY TRADE SECRET, COPYRIGHT AND OTHER INTELLECTUAL PROPERTY LAWS AND MAY ALSO BE SUBJECT TO A SPECIFIC OR GENERAL CONFIDENTIALITY AGREEMENT. IT IS NOT TO BE VIEWED BY UNAUTHORIZED PERSONS OR DUPLICATED IN ANY MEDIUM FOR PURPOSES OTHER THAN THOSE FOR WHICH IT IS SPECIFICALLY FURNISHED. IN THE EVENT OF PUBLICATION, THE FOLLOWING NOTICE SHALL APPLY</small>				REVISION <b>QIM-485-A2</b> <b>D</b>	