



FUTUROLA SHREDDER SERIES

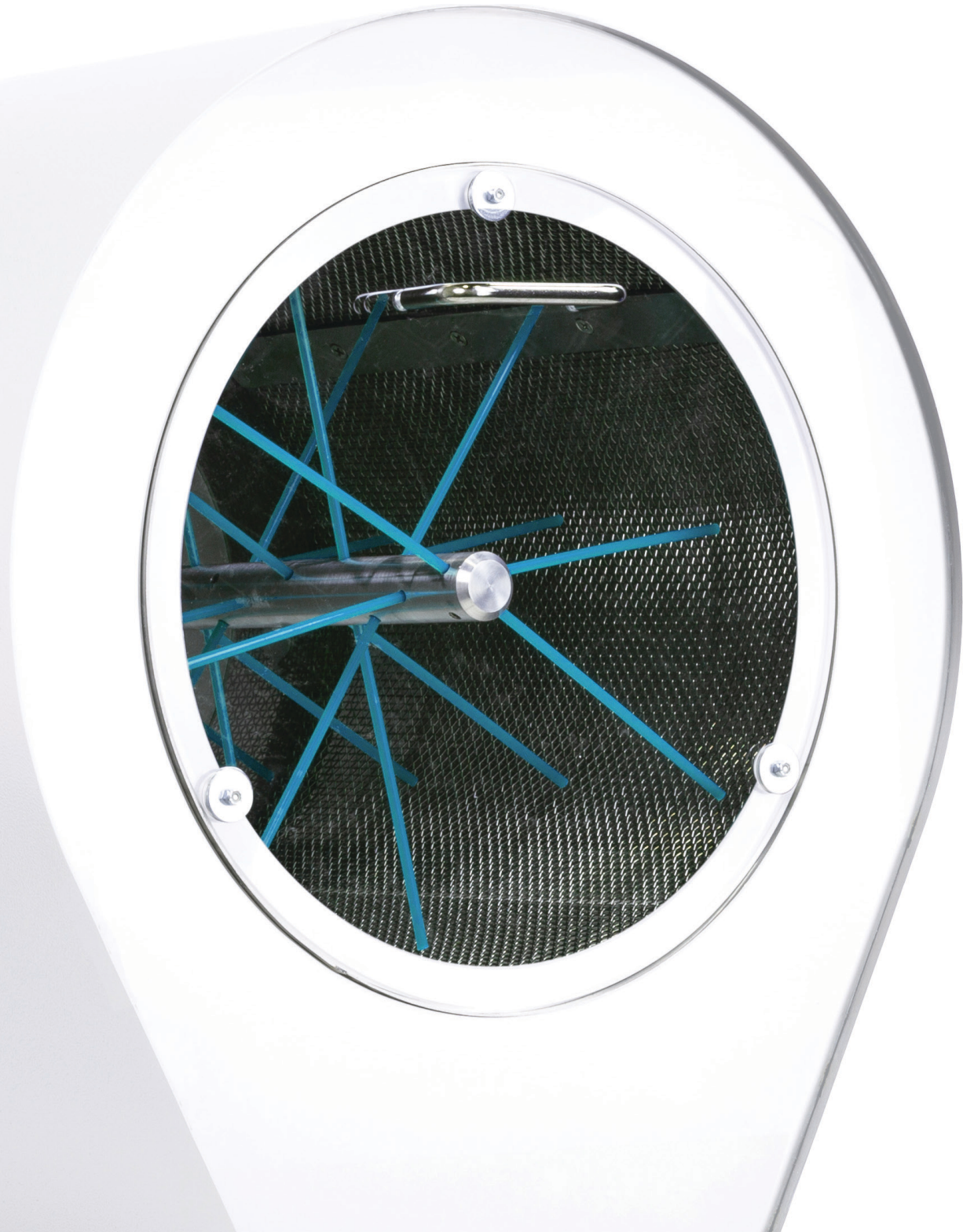
PRODUCT SPECIFICATIONS
+ LIMITED WARRANTY

MODEL
SUPER SHREDDER

800-651-9598

FUTUROLAUSA.COM

INFO@FUTUROLAUSA.COM



SUPER SHREDDER

PRODUCT INFORMATION + SPECIFICATIONS



SUPER SHREDDER

- 1 TIMER
- 2 LID
- 3 SIFTER
- 4 MIX BAG
- 5 WHEELS
- 6 STAND
- 7 BARREL
- 8 PIN



OPERATING INSTRUCTIONS

- SECURE MIX BAG TO OUTPUT HOLE ON BARREL
- REMOVE PIN & LID
- ROTATE BARREL UPRIGHT TO LOAD MIX
- REPLACE PIN & LID
- PLUG IN SHREDDER AFTER LOADING MIX*
- PRESS SET ON TIMER TO EXIT STANDBY MODE
- MODIFY TIME INTERVAL WITH ▲ & ▼ BUTTONS
- PRESS SET AGAIN TO RUN SHREDDER
- UNPLUG SHREDDER BEFORE UNLOADING MIX
- REMOVE PIN & LID
- REMOVE MIX BAG TO UNLOAD MIX

MATERIAL SPECIFICATIONS

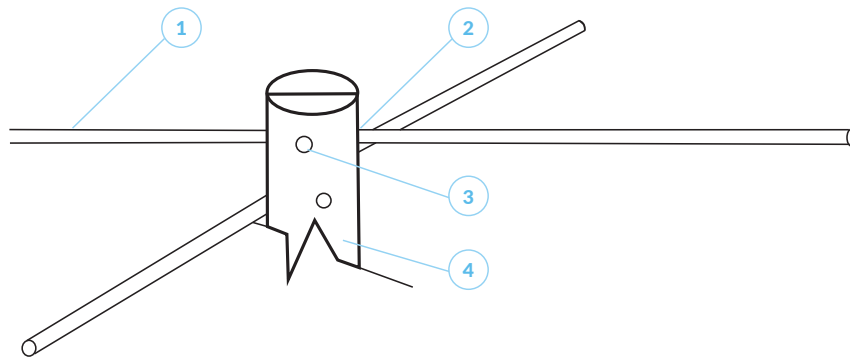
- BARREL HOUSING + MOTOR PLATE: 304 FOOD GRADE STAINLESS STEEL
- BACK RING + REAR MOTOR COVER: COLD ROLL CARBON STEEL
- FRONT BARREL RING: 430 FOOD GRADE MAGNETIC STAINLESS STEEL
- STAND MOUNT: HOT ROLL CARBON STEEL
- LID: FOOD GRADE LEXAN POLYCARBONATE
- SIFTER BASKET: 304 FOOD GRADE STAINLESS STEEL WIRE MESH
- WHIPS: 6/66 FOOD GRADE COPOLYMER NYLON ROD
- TIMER: 115V-230VAC, UL APPROVED
- MOTOR: 120/220, 6 AMP, UL APPROVED

SUPER SHREDDER

PRODUCT INFORMATION + SPECIFICATIONS

REPLACING NYLON WHIPS

- 1 CLEAN SET SCREW HEAD WITH A PICK BEFORE LOOSENING WITH ALLEN WRENCH.
- 2 USE SUPPLIED 3/32 ALLEN WRENCH TO LOOSEN SET SCREW.
- 3 PULL NYLON WHIP OUT OF CHANNEL.
- 4 REPEAT STEPS 1 AND 2 FOR ALL 12 WHIPS.
- 5 ONCE ALL THE WHIPS ARE REMOVED, START FROM BOTTOM AND WORK OUTWARD, INSERTING NEW WHIPS INTO CHANNELS. LEAVE EQUAL SPACE BETWEEN BOTH SIDES OF BARREL.
- 6 USE ALLEN WRENCH TO TIGHTEN SET SCREW UNTIL WHIPS ARE SECURE. DO NOT OVERTIGHTEN.
- 7 REPEAT STEPS 4 AND 5 FOR REMAINING WHIPS.
- 8 TURN ON SHREDDER TO LISTEN FOR MISALIGNED WHIPS. IF YOU CAN HEAR WHIPS HITTING THE INSIDE OF THE BARREL, THEY ARE NOT ALIGNED CORRECTLY AND MUST BE RECENTERED.



SHAFT ASSEMBLY

- 1 NYLON WHIPS
- 2 CHANNEL
- 3 SET SCREW
- 4 SHAFT

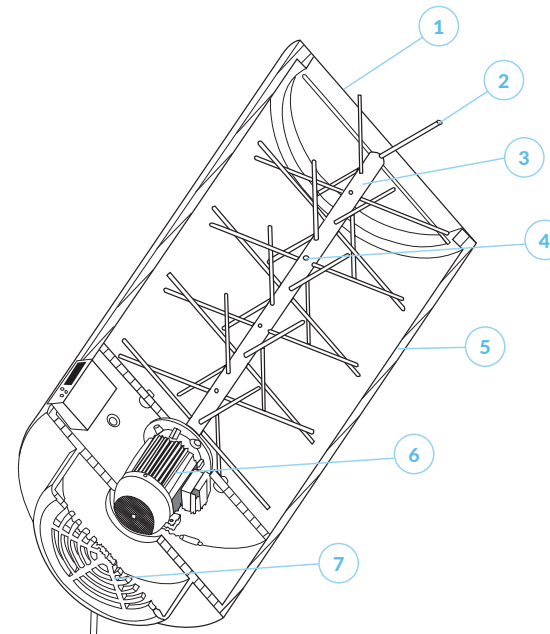
PERFORMING REGULAR MAINTENANCE

- 1 WITH COMPRESSED AIR, BLOW OUT MOTOR DUST COVER AT THE END OF EACH SHIFT OR AT SHUTDOWN.*
- 2 CLEAN LID WITH AN AMMONIA-FREE CLEANER.**
- 3 CLEAN BARREL
 - 3A UNPLUG SHREDDER.
 - 3B REMOVE WHIPS WITH SUPPLIED 3/32 ALLEN WRENCH BY LOOSENING SET SCREWS UNTIL WHIPS PULL FREELY FROM SHAFT.
 - 3C WITH COMPRESSED AIR, BLOW OUT BARREL AND WIPE WITH A CLEAN RAG TO REMOVE REMAINING DEBRIS.
 - 3D USING ETHANOL, WIPE NYLON WHIPS, SHAFT AND INSIDE OF BARREL UNTIL NO RESIDUE REMAINS.***
 - 3E REINSTALL NYLON WHIPS FROM BASE OF SHAFT OUTWARD USING SUPPLIED 3/32 ALLEN WRENCH.

***NEVER PERFORM ANY MAINTENANCE ON THE EQUIPMENT UNTIL IT IS VERIFIED THAT THE SHREDDER IS DISCONNECTED FROM ITS POWER SUPPLY. ALL MAINTENANCE SHOULD BE PERFORMED BY QUALIFIED PERSONNEL ONLY.**

****USE OF AMMONIA WILL CAUSE LID TO CRACK AROUND MAGNETS AND HANDLE.**

*****DO NOT POWER WASH ANY PART OF THE SHREDDER.**



SHREDDER INTERIOR

- 1 LID
- 2 NYLON WHIPS
- 3 SHAFT
- 4 SET SCREW
- 5 BARREL
- 6 MOTOR
- 7 MOTOR DUST COVER

ULTRAMID® C40 LX

6/66 FOOD GRADE COPOLYMER NYLON WHIP

PRODUCT DESCRIPTION

ULTRAMID® C40 LX IS A COPOLYAMIDE 6/66 GRADE OF HIGH VISCOSITY FOR THE PRODUCTION OF MONOFILAMENTS. IMPROVED TRANSPARENCY AND GLOSS ARE ENHANCED BY THE INCORPORATION OF A HIGH DOSAGE OF LUBRICANT.

SUPPLY FORM + STORAGE

ULTRAMID® C40 LX IS SUPPLIED PRE-DRIED AND READY FOR PROCESSING IN A VARIETY OF MOISTURE PROOF CONTAINERS, SUCH AS BOXES, BIGBAGS (ASIA) AND BULK CONTAINERS. THE MATERIAL MUST BE PROTECTED AGAINST MOISTURE DURING STORAGE. A STORAGE TIME OF 6 MONTHS SHOULD NOT BE EXCEEDED. OPENED BAGS SHOULD BE USED UP IMMEDIATELY IN ORDER TO PREVENT MOISTURE PICKUP.

FOOD LEGISLATION

CERTIFICATES REGARDING THE STATUS OF ULTRAMID® C40 LX WITH RESPECT TO THE EUROPEAN REGULATION 2002/72/EC, THE GERMAN BFR RECOMMENDATION "X.POLYAMIDE", 1.6.1998 (BEDARFSGEGENSTÄNDEVERORDNUNG IN DER NEUFASSUNG VOM 23.12.97 EINSCHLIESSLICH DER NEUNTEN VERORDNUNG ZUR ÄNDERUNG DER BEDARFSGEGENSTÄNDEVERORDNUNG VOM 07.04.2003) OR LEGISLATIONS FOR OTHER COUNTRIES WILL BE PROVIDED ON REQUEST. THE COMPOSITION OF THE PRODUCT COMPLIES WITH FDA REGULATION 21 CFR 177.1500 "NYLON RESINS", SECTION (B) 4.2 AND SHOULD BE USED ONLY FOR LAMINATES COMPLIING WITH 21 CFR 177.1395. ADDITIONALLY, THE PRODUCT IS SUBJECT OF FOOD CONTACT NOTIFICATION (FCN) 731, WHICH IS ACCEPTED BY THE UNITED STATES FOOD AND DRUG ADMINISTRATION (FDA) AND VALID SINCE AUGUST 14TH, 2007.

SPECIFICATION	TEST METHOD	UNIT	VALUE
RELATIVE VISCOSITY (RV) 1% [M/V] IN 96% [M/M] SULFURIC ACID	ACCORDING TO ISO 307 (CALCULATED BY HUGGINS METHOD)		3.89 - 4.17
VISCOSITY NUMBER (VN) 0.5% [M/V] IN 96% [M/M] SULFURIC ACID	ACCORDING TO ISO 307	ML/G	240 - 260
MOISTURE CONTENT	ACCORDING TO ISO 15512	% [M/M]	MAX. 0.06
EXTRACTABLES	ACCORDING TO ISO 6427-CHIPS NOT GROUND/16H	% [M/M]	MAX. 0.8
LUBRICANT	BASF METHOD	(MG/KG)	1400 - 2000
FILM GRADE	BASF METHOD	(MG/KG)	1 - 3

DISCLAIMER

WHILE THE DESCRIPTIONS, DESIGNS, DATA AND INFORMATION CONTAINED HEREIN ARE PRESENTED IN GOOD FAITH AND BELIEVED TO BE ACCURATE, IT IS PROVIDED FOR YOUR GUIDANCE ONLY. BECAUSE MANY FACTORS MAY AFFECT PROCESSING OR APPLICATION/USE, WE RECOMMEND THAT YOU MAKE TESTS TO DETERMINE THE SUITABILITY OF A PRODUCT FOR YOUR PARTICULAR PURPOSE PRIOR TO USE. NO WARRANTIES OF ANY KIND, EITHER EXPRESS OR IMPLIED, INCLUDING WARRANTIES OF MERCHANTABILITY OR FITNESS FOR A PARTICULAR PURPOSE, ARE MADE REGARDING PRODUCTS DESCRIBED OR DESIGNS, DATA OR INFORMATION SET FORTH, OR THAT THE PRODUCTS, DESIGNS, DATA OR INFORMATION MAY BE USED WITHOUT INFRINGING THE INTELLECTUAL PROPERTY RIGHTS OF OTHERS. IN NO CASE SHALL THE DESCRIPTIONS, INFORMATION, DATA OR DESIGNS PROVIDED BE CONSIDERED A PART OF OUR TERMS AND CONDITIONS OF SALE. FURTHER, YOU EXPRESSLY UNDERSTAND AND AGREE THAT THE DESCRIPTIONS, DESIGNS, DATA AND INFORMATION FURNISHED BY BASF HEREUNDER ARE PROVIDED GRATIS AND BASF ASSUMES NO OBLIGATION OR LIABILITY FOR THE DESCRIPTION, DESIGNS, DATA AND INFORMATION GIVEN OR RESULTS OBTAINED, ALL SUCH BEING GIVEN AND ACCEPTED AT YOUR RISK.

MEDICAL DISCLAIMER

BASF HAS NOT DEVELOPED OR TESTED ITS PLASTICS ESPECIALLY FOR THE USE IN MEDICAL DEVICES (DEFINED IN RISK CLASSES I TO III ACCORDING TO THE EUROPEAN AND US MEDICAL DEVICE LEGISLATION) AND PHARMACEUTICAL APPLICATIONS. THEREFORE BASF MAKES NO WARRANTIES, EXPRESS OR IMPLIED, CONCERNING THE SUITABILITY OF ANY BASF PLASTICS FOR USE IN ANY MEDICAL DEVICE AND PHARMACEUTICAL APPLICATIONS. BASF DOES NOT SUPPLY ITS PLASTICS FOR THE MANUFACTURE OF IMPLANTS OF ANY RISK CLASS.

PLEASE INFORM US IN ADVANCE, IF YOU INTEND TO USE BASF PLASTICS IN MEDICAL DEVICES OR PHARMACEUTICAL APPLICATIONS.

FOR FURTHER INFORMATION, VISIT WWW.BASF.COM

GENERAL PROPERTIES	TEST METHOD	UNIT	VALUE
MELTING POINT	ACCORDING TO ISO 3146	°C	188 - 190
DENSITY	ACCORDING TO ISO 1183	G/CM3	1.12
BULK DENSITY		KG/M3	780
PELLET SIZE		MM	2 - 2.5
PELLET SHAPE			ROUND
WATER ABSORPTION, 23°C/50% RH		%	3.2
WATER ABSORPTION, SATURATION IN WATER 23°C		%	10.5

LIMITED WARRANTY

FUTUROLA SHREDDER SERIES

WHAT DOES THIS LIMITED WARRANTY COVER?

THIS LIMITED WARRANTY COVERS ANY MATERIAL OR MECHANICAL DEFECTS UNDER NORMAL USE DURING THE WARRANTY PERIOD.

DURING THE WARRANTY PERIOD, AT THE FULL DISCRETION OF FUTUROLA USA, LLC, WE MAY CHOOSE TO REPAIR OR REPLACE, AT NO CHARGE, PRODUCTS OR PARTS OF A PRODUCT THAT PROVE DEFECTIVE BECAUSE OF IMPROPER MATERIAL OR WORKMANSHIP, UNDER NORMAL USE AND MAINTENANCE.

THIS LIMITED WARRANTY EXTENDS TO THE ORIGINAL PURCHASER ONLY AND IS NON-TRANSFERABLE.

HOW LONG DOES THE COVERAGE LAST?

THE WARRANTY PERIOD FOR A SHREDDER PURCHASED FROM FUTUROLA USA, LLC AND AUTHORIZED DISTRIBUTORS IS 365 DAYS FROM THE DATE OF PURCHASE.

A REPLACEMENT SHREDDER OR PART ASSUMES THE REMAINING WARRANTY OF THE ORIGINAL SHREDDER OR 365 DAYS FROM THE DATE OF REPLACEMENT OR REPAIR, WHICHEVER IS LONGER.

WHAT DOES THIS LIMITED WARRANTY NOT COVER?

THIS LIMITED WARRANTY DOES NOT COVER ANY PROBLEM THAT IS CAUSED BY:

CONDITIONS, MALFUNCTIONS OR DAMAGE NOT RESULTING FROM DEFECTS IN MATERIAL OR WORKMANSHIP CONDITIONS, MALFUNCTIONS OR DAMAGE RESULTING FROM NEGLIGENCE, IMPROPER MAINTENANCE OR MODIFICATION. DAMAGED OR DESTROYED BY NATURAL CAUSES INCLUDING BUT NOT LIMITED TO LIGHTNING, FLOOD, OR OTHER NATURAL DISASTER. THEFT OR LOSS OF THE SHREDDER.

THIS LIMITED WARRANTY DOES NOT COVER ANY SHIPPING CHARGES, HANDLING CHARGES, OR TAXES. YOU ARE RESPONSIBLE FOR AND MUST PREPAY ALL SHIPPING CHARGES.

YOU SHALL ASSUME ALL RISK OF LOSS OR DAMAGE TO THE SHREDDER WHILE IN TRANSIT TO AND FROM FUTUROLA USA, LLC.

THIS LIMITED WARRANTY IS VOID IF THE SHREDDER IS RETURNED WITH REMOVED, DAMAGED OR TAMPERED LABELS OR ANY ALTERATIONS.

WHAT DO YOU HAVE TO DO?

TO OBTAIN WARRANTY SERVICE, YOU MUST CONTACT US TO REPORT THE CLAIM. WARRANTY SERVICE WILL BE FULFILLED AT THE DISCRETION OF FUTUROLA USA, LLC.

DELIVER THE SHREDDER, IN ITS ORIGINAL PACKAGING, INCLUDING ANY ACCESSORIES OR DOCUMENTS THAT SHIPPED WITH THE SHREDDER TO THE ADDRESS SPECIFIED BY FUTUROLA USA, LLC.

FUTUROLA USA, LLC WILL REFUSE THE RETURN OF SHREDDERS WHICH ARE NOT PROPERLY CLEANED OF ALL DEBRIS.

TO REPORT A WARRANTY CLAIM, YOU CAN CONTACT US BY ANY OF THE FOLLOWING CONTACT METHODS:

BY PHONE: +1-310-258-9982

BY EMAIL: INFO@FUTUROLAUSA.COM

IMPLIED WARRANTIES

EXCEPT TO THE EXTENT PROHIBITED BY APPLICABLE LAW, ALL IMPLIED WARRANTIES (INCLUDING WARRANTIES OF MERCHANTABILITY AND FITNESS FOR A PARTICULAR PURPOSE) SHALL BE LIMITED IN DURATION TO THE DURATION OF THIS LIMITED WARRANTY.

LIMITATION OF DAMAGES

EXCEPT TO THE EXTENT PROHIBITED BY APPLICABLE LAW, FUTUROLA USA, LLC SHALL NOT BE LIABLE FOR ANY INCIDENTAL, INDIRECT, SPECIAL, OR CONSEQUENTIAL DAMAGES RESULTING FROM ANY BREACH OF EXPRESS OR IMPLIED WARRANTY OR CONDITION, OR UNDER ANY OTHER LEGAL THEORY.

GOVERNING LAW

THIS LIMITED WARRANTY SHALL BE GOVERNED BY THE LAWS OF CALIFORNIA, USA WITHOUT GIVING EFFECT TO ANY CONFLICT OF LAWS PRINCIPLES THAT MAY PROVIDE THE APPLICATION OF THE LAW OF ANOTHER JURISDICTION.