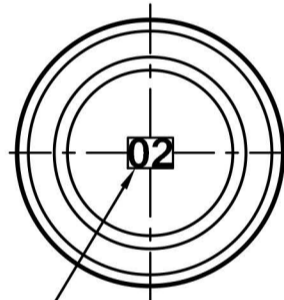
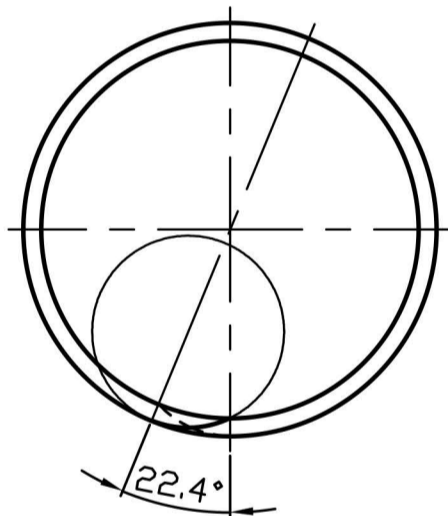
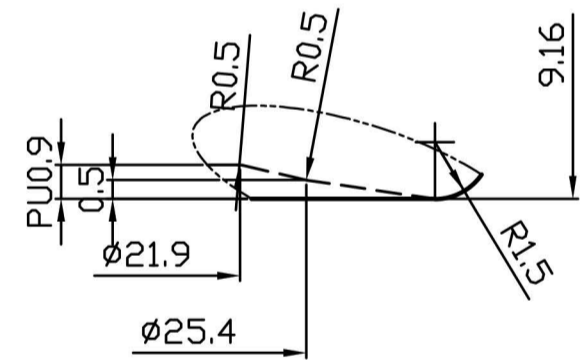


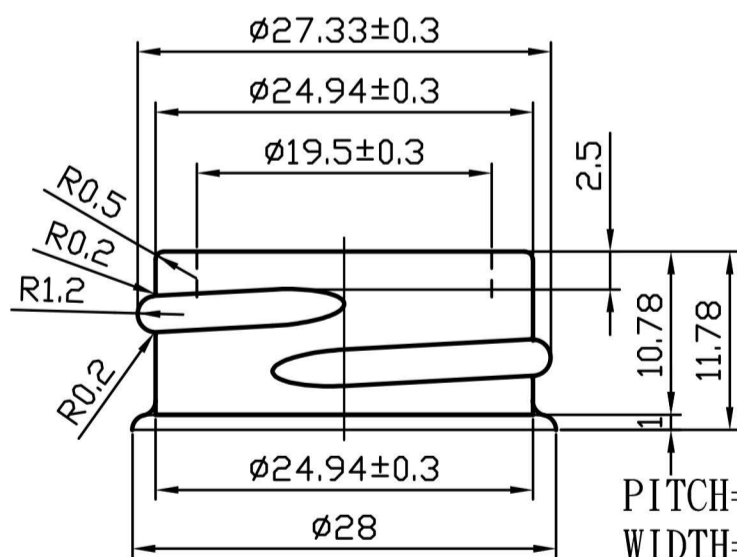
DETAIL A S=3:1



MOLD NO.  
4x6



DETAIL B S=3:1



PITCH=4.23mm  
WIDTH=2.4mm  
CUTTER DIA= $\phi 12.7$ mm

SPECIFICATIONS

WEIGHT	26±2	g
NET CAP		ml
O. FLOW CAP	4.7±1.2	ml
FILL POINT		DOWN
C1090225		