

CHEST PRESS/SHOULDER RAISE

HD-3300

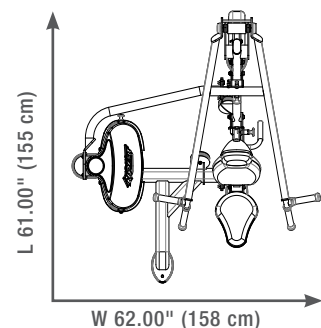


FEATURES

- Multiple seat and press arm positions
- One handed rotational angle adjustment for vertical chest, incline, and shoulder press exercises
- Dual position hand grips

SPECS

- Product Dimensions L x W x H
61" x 62" x 59"
(155 cm x 158 cm x 150 cm)
- Product Weight: 522 lbs.
- Weight Stack:
215 lbs. (98 kg)



HOIST® offers one of the best warranty policies in the industry, reaffirming our commitment to quality and customer satisfaction. HOIST warranties this product to the original purchaser only. HOIST guarantees this product to be free from defects in workmanship and/or materials under normal use or service.

For complete Warranty Information, visit www.hoistfitness.com and click on the "Support" link.

Warranty policy applies to defects from the manufacturer only. HOIST reserves the right to change product specifications, design, and function at any time.



GSA Contract # GS-07F-0322K
Gene Bruton 866.488.6853