

# EXHAUST SYSTEMS FOR 1986-2011 SOFTTAILS

## 1 3/4" DRAG PIPES FOR 1986-2011 SOFTTAILS

Two different styles of drag pipes for you to choose from. They come with O<sup>2</sup> sensor bungs. On 1986 thru 2006 models, use the included bung plugs.

### DRAG PIPE SETS WITH 'S' STYLE REAR PIPE

Slider channel on the front pipe. Sets include a Paughco #731SB12 mounting plate with required hardware.

**726-40\*** 40"-long Slash Cut drag pipes

**726A40\*** 40"-long Goose Cut drag pipes

**731SB12** Repl. mounting plate with hardware

**426F** Front heat shield for Paughco #726-40 pipe set ONLY (shown below on bike)

**426R** Rear heat shield for Paughco #'s 726-40 and 726A40 pipe sets (not shown)

### SHOTGUN DRAG PIPE SET

Slider channel on the front pipe. Set includes Paughco #731SB12 and Paughco #731SB8 mounting plates.

**731SD40TC\*** 40"-long Slash Cut drag pipes

**731SB12** Repl. front pipe mounting plate

**731SB8** Repl. rear pipe mounting plate

**426F** Front heat shield for Paughco #731SD40TC pipe set (shown below on bike)

**431SDTCR** Rear heat shield for Paughco #731SD40TC pipe set (shown below on bike)

**\* NOT LEGAL FOR SALE OR USE IN CALIFORNIA**



731SB12

**726A40\***  
40"-LONG  
'S' STYLE  
GOOSE CUT  
DRAG PIPES



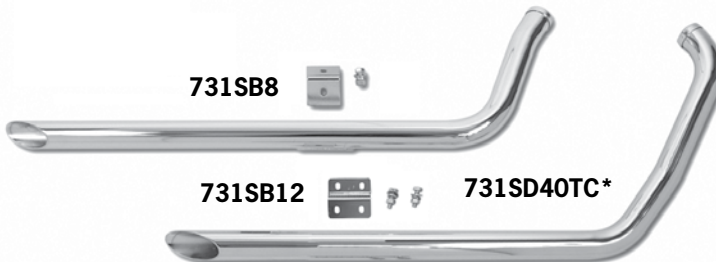
731SB8



731SB12



731SD40TC\*



### SPECIAL NOTES:

- 1) DRAG PIPES ARE NOT RECOMMENDED FOR USE ON THE STREET.
- 2) SEE PAGES 349-353 FOR PHOTOS OF THE HEAT SHIELDS.
- 3) SEE PAGES 349-353 FOR PHOTOS OF THE HEAT SHIELDS.



**731SD40TC\* 40"-LONG  
SLASH CUT SHOTGUN DRAG PIPES**



### 'DUMP' PIPES FOR 1986-2011 SOFTTAILS

These custom-bent 2" pipes 'dump' right out behind the transmission for a clean look, extra performance, and an unmatched sound.

**731SDPL\*** 1986-2011 Softails

**431SDP** Chrome heat shield set

**\* NOT LEGAL FOR SALE OR USE IN CALIFORNIA**



**O<sup>2</sup> SENSOR BUNG**

# PIPE SETS & MUFFLERS FOR 2000-2017 TWIN CAM SOFTTAILS



**726B2\***  
**UPSWEEP HEADPIPES**



**608S\***

**619BT\***

**618BT\***

## 1 3/4" UPSWEEP HEADPIPE SET AND MUFFLERS FOR 2000-2017 TWIN CAM SOFTTAILS

These upsweep headpipe sets fit 2000-up Twin Cam Softtails. Combine them with our Fishtail mufflers, or our 20" or 22" Bell Tip mufflers for an unbeatable look. 2007-up sets include 18mm and 12mm O<sup>2</sup> sensor bungs and block-off plugs, and Paughco #'s 718H5 mounting bracket and 731SB9 hardware kit are included with both sets. Optional front and rear heat shields are highly recommended and are sold separately.

**726B3\*** Upsweep headpipe set ONLY for 2007–2017 models (mufflers must be purchased separately)

**726B2\*** Upsweep headpipe set ONLY for 2000–2006 models (mufflers must be purchased separately)

**433C8F** Chrome front heat shield (not shown)

**431SDTCR** Chrome rear heat shield (not shown)

**608S\*** 22 1/2"-long Fishtail muffler (sold each)

**618BT\*** 20"-long Bell Tip muffler (sold each)

**619BT\*** 22"-long Bell Tip muffler (sold each)

**718H5** Replacement mounting bracket

**731SB9** Replacement hardware kit

**\* NOT LEGAL FOR SALE OR USE IN CALIFORNIA**



**726B2\***  
**UPSWEEP HEADPIPES WITH**  
**619BT\* BELL TIP MUFFLERS**

### SPECIAL NOTES:

- 1) IT MAY BE NECESSARY TO RELOCATE THE RIGHT-SIDE TURN SIGNAL FOR MUFFLER CLEARANCE.
- 2) SEE PAGES 349-353 FOR PHOTOS OF THE HEAT SHIELDS FOR THESE PIPE SETS.

TO ORDER THESE PARTS, CALL US AT 775-246-5738  
OR TOLL FREE AT 800-423-2621



TRIKE  
KITS

SPRINGERS  
& FORKS

HANDLEBARS  
& RISERS

LIGHTING

FRAMES &  
ACCESSORIES

WHEELS  
& BRAKES

GAS & OIL  
TANKS

SHEET  
METAL

ENGINE &  
ELECTRICAL

PRIMARY &  
DRIVETRAIN

FOOT  
CONTROLS

TRANSMISSION

EXHAUST

TOOLS &  
GENERAL

# EXHAUST SYSTEMS For 2000-2006 TWIN CAM SOFTTAILS



767-88B



718H3

731SB5

733C8\*  
2-INTO-1  
HEADPIPES

## 1 3/4" HEADPIPE SETS For 2000-2006 TWIN CAM SOFTTAILS

Complete your exhaust system by combining these headpipes with tailpipe extensions or universal mufflers.

### CROSSOVER HEADPIPE SETS

These exhaust systems include Paughco #'s 731SB5, 731SB6, 767-88B mounting brackets and #718M shift linkage. The Paughco #718H3 hanger brackets are sold separately (2 required). Heat shields are recommended.

**735K\*** Crossover dual headpipe set

**735K1\*** Independent dual headpipe set

**718M** Replacement shift linkage with bent arm to clear the left-side pipe



718M



718H3

**735K\*  
CROSSOVER DUAL  
HEADPIPES**

731SB5

731SB6

### 2-INTO-1 HEADPIPE SET

This headpipe set includes a Paughco #731SB5 mounting bracket. The Paughco #718H3 hanger bracket is sold separately. Heat shields are recommended.

**733C8\*** 2-into-1 headpipe set

### HANGER BRACKETS AND HEAT SHIELDS

**718H3** Hanger bracket for mounting extensions or mufflers on Paughco #'s 735K, 735K1 and 733C8 pipe sets (sold each)

**731SB5** Angle bracket for mounting the front pipe on Paughco #'s 735K, 735K1 and 733C8 pipe sets

**731SB6** Angle bracket for mounting the crossover pipe on Paughco #'s 735K and 735K1 pipe sets



718M



718H3

**735K1\*  
INDEPENDENT DUAL  
HEADPIPES**

731SB5

731SB6

**425-1A** Heat shield for left-side crossover on Paughco #'s 735K and 735K1 pipe sets (not shown)

**433C8F** Front heat shield for #'s 733C8, 735K and 735K1 pipe sets (not shown)

**433C8LF** Low front heat shield for Paughco #'s 733C8 and 735K pipe sets (not shown)

**625-9** Low front heat shield for Paughco # 735K1 pipe set (not shown)

**433C8R** Rear heat shield for Paughco #'s 733C8 and 735K pipe sets (not shown)

**435ES** Snail heat shield for right-side rear cylinder on Paughco #735K1 pipe set (not shown)

**\* NOT LEGAL FOR SALE OR USE IN CALIFORNIA**

### SPECIAL NOTES:

1) STRAIGHT PIPES ARE NOT RECOMMENDED FOR USE ON THE STREET.

2) SEE PAGES 349-353 FOR PHOTOS OF THE HEAT SHIELDS FOR THESE PIPE SETS.



735K1\* INDEPENDENT DUAL HEADPIPES WITH 607S\* TAILPIPE EXTENSIONS

# UPSWEEPS FOR 2000-2017 TWIN CAM SOFTTAILS

TRIKE  
KITS

SPRINGERS  
& FORKS

HANDLEBARS  
& RISERS

LIGHTING

FRAMES &  
ACCESSORIES

WHEELS  
& BRAKES

GAS & OIL  
TANKS

SHEET  
METAL

ENGINE &  
ELECTRICAL

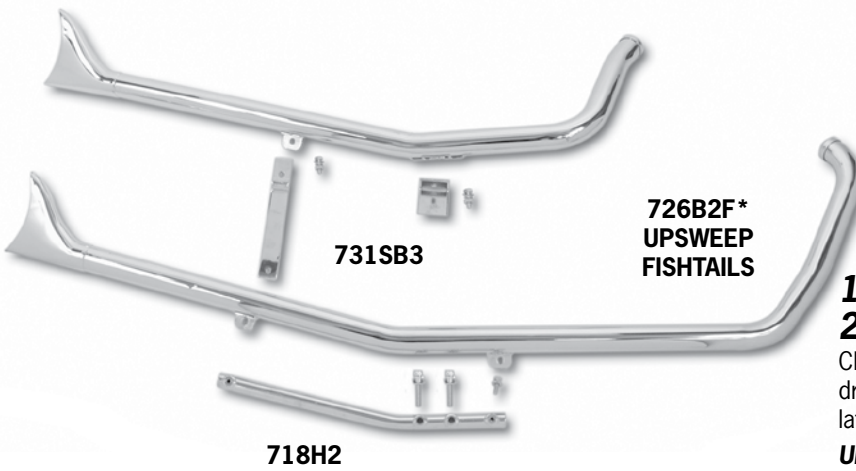
PRIMARY &  
DRIVETRAIN

FOOT  
CONTROLS

TRANSMISSION

EXHAUST

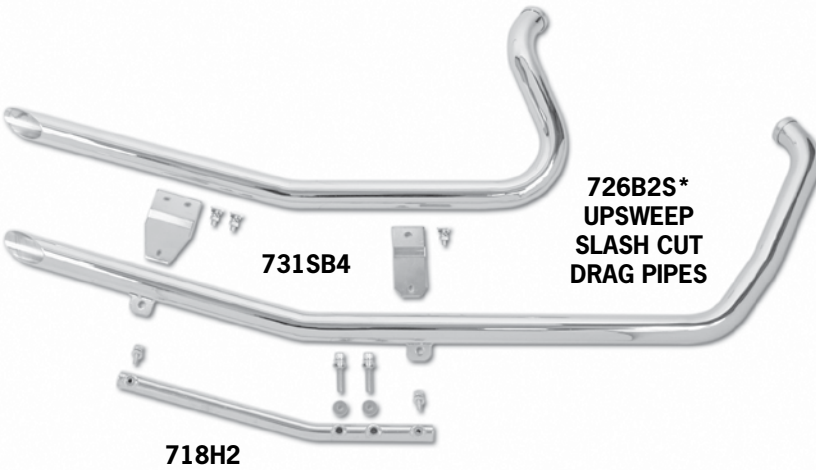
TOOLS &  
GENERAL



**726B2F\***  
**UPSWEEP**  
**FISHTAILS**

**731SB3**

**718H2**



**726B2S\***  
**UPSWEEP**  
**SLASH CUT**  
**DRAG PIPES**

**731SB4**

**718H2**



## 1 3/4" UPSWEEP EXHAUST SYSTEMS FOR 2000-2017 TWIN CAM SOFTTAILS

Choose from upswept Fishtails or two styles of drag pipes. Everything is included to make installation a breeze.

### UPSWEEP FISHTAIL PIPE SETS WITH SHOTGUN REAR PIPES FOR 2000-2017 MODELS

Unbaffled pipe sets include Paughco #'s 718H2 and 731SB3 hanger brackets. Choose from chrome or black powderpainted finishes. 2007-up sets include 18mm and 12mm O<sup>2</sup> sensor bungs and block-off plugs. Optional chrome heat shields are highly recommended and sold separately.

**726B3F\*** Chrome for 2007-2017

**726B3FB\*** Black for 2007-2017

**726B2F\*** Chrome for 2000-2006

**726B2FB\*** Black for 2000-2006

**718H2** Repl. hanger bracket

**731SB3** Replacement mounting strap and angle bracket

**433C8F** Chrome front heat shield

**431SDTCR** Chrome rear heat shield

### UPSWEEP DRAG PIPE SETS WITH 'S' STYLE REAR PIPE FOR 2000-2006 MODELS

Unbaffled chrome drag pipe sets include Paughco #'s 718H2 and 731SB4 hanger brackets. Optional chrome heat shields are highly recommended and sold separately.

**726B2A\*** Goose Cut drag pipes (shown below on bike)

**726B2S\*** Slash Cut drag pipes

**718H2** Repl. hanger bracket

**731SB4** Repl. mounting plates

**433C8F** Chrome front heat shield

**426R** Chrome rear heat shield

**\* NOT LEGAL FOR SALE OR USE IN CALIFORNIA**

### SPECIAL NOTES:

- 1) DRAG PIPES ARE NOT RECOMMENDED FOR USE ON THE STREET.
- 2) PAUGHCO #'s **726B2A\*** AND **726B2S\*** DRAG PIPES WILL ALSO FIT 1986-1999 SOFTTAILS WITHOUT HD SADDLEBAGS.
- 3) SEE PAGES 349-353 FOR PHOTOS OF THE HEAT SHIELDS FOR THESE PIPE SETS.



**726B2A\***  
**UPSWEEP GOOSE CUT DRAG PIPES**

TO ORDER THESE PARTS, CALL US AT **775-246-5738**  
OR TOLL FREE AT **800-423-2621**



TRIKE  
KITSSPRINGERS  
& FORKSHANDLEBARS  
& RISERS

LIGHTING

FRAMES &  
ACCESSORIESWHEELS  
& BRAKESGAS & OIL  
TANKSSHEET  
METALENGINE &  
ELECTRICALPRIMARY &  
DRIVETRAINFOOT  
CONTROLS

TRANSMISSION

EXHAUST

TOOLS &  
GENERAL

# CUSTOM EXHAUST SYSTEMS FOR 1986-2017 SOFTTAILS



PY01\*

## PAUL YAFFE 'BUZZSAW' EXHAUST SYSTEMS FOR 1986-2017 SOFTTAILS

These custom S-style drag pipe exhaust systems feature 1¾"-diameter headpipes and 2¼" partial-length heat shields with back cut design. The pipe end tips have special kick-out radial cut tips for distinct styling. Each set includes mounting brackets, hardware and O<sup>2</sup> sensor block-off plugs. Available with polished chrome or black high-temp powdercoated finishes.

**PY01\*** Chrome

**PY01B\*** Black

**\* NOT LEGAL FOR SALE OR USE IN CALIFORNIA**



PY01B\*



## KING'S CUSTOM CYCLE COLLECTOR HEADERS FOR 1986-2017 SOFTTAILS

Designed by King's Custom Cycles of Oklahoma City and made in the USA by Paughco. Every set features 1¾" headpipes with full-length heat shields to provide a deep, loud unmuffled sound, and a custom 6-bolt collector flange attaching a 3" collector. They're available in chrome or high heat black powder paint.

- Special 15 degree turn-out with double barrel tip
- Includes 12mm and 18mm O<sup>2</sup> sensor fittings and plugs (2000-up)

**KCC02\*** Chrome for 2000-2017 Softails

**KCC02B\*** Black for 2000-2017 Softails

**KCC02E\*** Chrome for 1986-1999 Softails

**KCC02EB\*** Black for 1986-1999 Softails

**\* NOT LEGAL FOR SALE OR USE IN CALIFORNIA**



KCC02\*

KCC02B\*



320



VISIT US ON THE INTERNET AT [WWW.PAUGHCO.COM](http://WWW.PAUGHCO.COM)  
OR E-MAIL US AT [INFO@PAUGHCO.COM](mailto:INFO@PAUGHCO.COM)

# UPSWEEPS FOR 2000-2017 TWIN CAM SOFTAILS



TRIKE KITS

SPRINGERS & FORKS

HANDLEBARS & RISERS

LIGHTING

FRAMES & ACCESSORIES

WHEELS & BRAKES

GAS & OIL TANKS

SHEET METAL

ENGINE & ELECTRICAL

PRIMARY & DRIVETRAIN

FOOT CONTROLS

TRANSMISSION

EXHAUST

TOOLS & GENERAL

## 1 3/4" 'SIDE BY SIDE' UPSWEPT FISHTAIL EXHAUST SYSTEMS FOR 2000-2017 TWIN CAM SOFTAILS

All-new, upswept exhaust systems for late-model Softails that feature a 'side-by-side' design that is old-school cool. A great way to make your scoot look different from the rest. These unbaffled pipe sets will give your bike the deep growl only Fishtails can provide. They have both 12mm and 18mm O<sup>2</sup> sensor bungs and block-off plugs to fit all late-model bikes, and include special mounting brackets. Available in chrome or high-heat black powderpaint. Optional 2 1/4" heat shield sets are sold separately.

**726SBS\*** Chrome upswept Fishtail exhaust system for 2000–2017 models

**726SBSB\*** Black upswept Fishtail exhaust system for 2000–2017 models

**426SBS** Chrome heat shield set for 2000–2017 models

**426SBSB** Black heat shield set for 2000–2017 models

**\* NOT LEGAL FOR SALE OR USE IN CALIFORNIA**



TO ORDER THESE PARTS, CALL US AT 775-246-5738  
OR TOLL FREE AT 800-423-2621



# EXHAUST SYSTEMS FOR 1991-2005 DYNA MODELS



## 1 3/4" EXHAUST SYSTEMS FOR 1991-2005 DYNA MODELS

Choose from 40"-long drag pipes or two muffler sets for 1991-2005 Dyna models. Heat shields are highly recommended. These pipe sets come with O<sup>2</sup> sensor bungs and block-off plugs.

### DRAG PIPE SET

Use Paughco #718DYA bracket (not included) and stock HD pipe clamps (OEM 65302-82A) to install.  
**731DY40S\*** 40"-long Slash Cut drag pipes (shown below on bike)

### MUFFLER SETS

Use Paughco #'s 718DYA and 718DYB hanger brackets (not included) and stock HD pipe clamps (OEM 65302-82A) to install.

**731DYTMS\*** 38"-long Tapered muffler set

**731DY2MS\*** 38"-long Super Slash Cuts

### HEAT SHIELDS AND MOUNTING BRACKETS

**431DYF** Front heat shield for Paughco #731DY series pipes (shown on bike)

**431DYR** Rear heat shield for Paughco #731DY series pipes (shown on bike)

**718DYA** OEM-style rear pipe mounting bracket (OEM 65695-95)

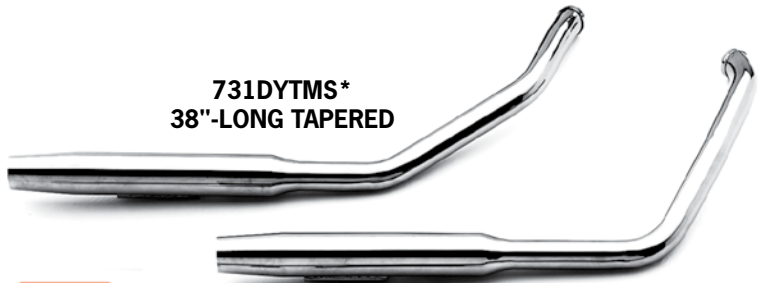
**718DYB** OEM-style muffler support bracket (OEM 65674-95)

**\* NOT LEGAL FOR SALE OR USE IN CALIFORNIA**

### SPECIAL NOTES:

- 1) DRAG PIPES ARE NOT RECOMMENDED FOR USE ON THE STREET.
- 2) SEE PAGES 349-353 FOR PHOTOS OF THE HEAT SHIELDS FOR THESE PIPE SETS.

**731DYTMS\***  
38"-LONG TAPERED

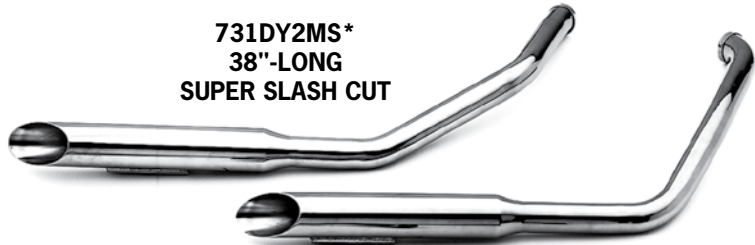


**718DYB**



**718DYA**

**731DY2MS\***  
38"-LONG  
SUPER SLASH CUT



**O<sup>2</sup> SENSOR BUNG**



**731DY40S\***  
40"-LONG SLASH CUT DRAG PIPES

# EXHAUST SYSTEMS FOR 2006-2011 DYNA MODELS

TRIKE  
KITS

SPRINGERS  
& FORKS

HANDLEBARS  
& RISERS

LIGHTING

FRAMES &  
ACCESSORIES

WHEELS  
& BRAKES

GAS & OIL  
TANKS

SHEET  
METAL

ENGINE &  
ELECTRICAL

PRIMARY &  
DRIVETRAIN

FOOT  
CONTROLS

TRANSMISSION

EXHAUST

TOOLS &  
GENERAL



731DYTMS\*  
38"-LONG TAPERED



## 1 3/4" EXHAUST SYSTEMS FOR 2006-2011 DYNA MODELS

Choose from 40"-long drag pipes or two muffler sets for 2006-2011 Twin Cam Dyna models with fuel injection and the large 2-pin O<sup>2</sup> sensors in the headpipes. Heat shields are highly recommended.

### DRAG PIPE SET

These drag pipes attach to the OEM mounting brackets when you re-use your stock P-clamps. 2008-up FXDF and 2010-up FXDWG models require the additional purchase of a Paughco #718DYA-1 rear pipe mounting bracket, and one each of OEM 65440-06 and OEM 65946-07 clamps to install.

**731DY40S\*** 40"-long Slash Cut drag pipes (shown below on bike)

### MUFFLER SETS

These muffler sets attach to the OEM mounting brackets when you re-use your stock P-clamps. 2008-up FXDF and 2010-up FXDWG models require the additional purchase of a Paughco #718DYA-1 rear pipe mounting bracket, a Paughco #718DYB muffler support bracket, and one each of OEM 65440-06 and OEM 65946-07 clamps to install.

**731DYTMS\*** 38"-long Tapered muffler set

**731DY2MS\*** 38"-long Super Slash Cuts

### HEAT SHIELDS AND MOUNTING BRACKETS

**431DYF** Front heat shield for Paughco #731DY series pipes (shown on bike)

**431DYR** Rear heat shield for Paughco #731DY series pipes (shown on bike)

**718DYA-1** Custom rear pipe mounting bracket (OEM's 65695-06, 65696-08)

**718DYB** OEM-style muffler support bracket (OEM 65674-95)

**\* NOT LEGAL FOR SALE OR USE IN CALIFORNIA**



718DYB

718DYA-1  
Photo Not  
Available



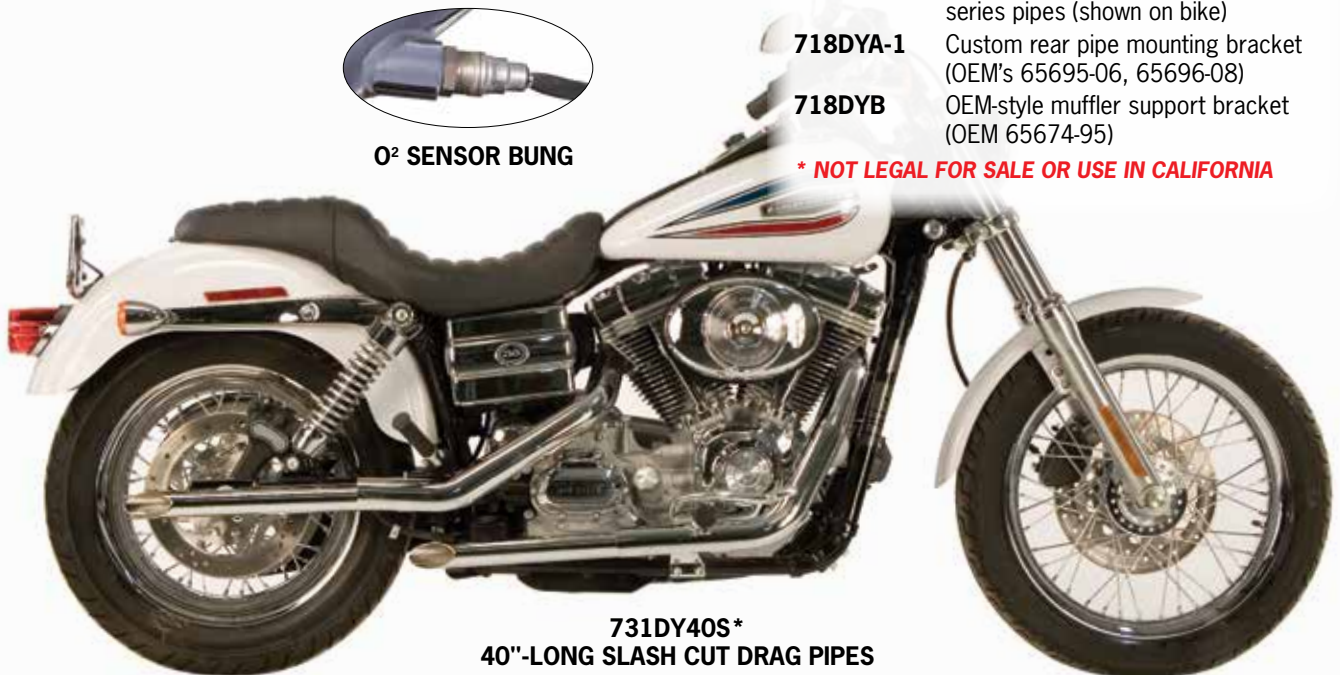
731DY2MS\*  
38"-LONG  
SUPER SLASH CUT

### SPECIAL NOTES:

- 1) DRAG PIPES ARE NOT RECOMMENDED FOR USE ON THE STREET.
- 2) SEE PAGES 349-353 FOR PHOTOS OF THE HEAT SHIELDS FOR THESE PIPE SETS.



O<sup>2</sup> SENSOR BUNG



731DY40S\*  
40"-LONG SLASH CUT DRAG PIPES

TO ORDER THESE PARTS, CALL US AT 775-246-5738  
OR TOLL FREE AT 800-423-2621





TRIKE  
KITSSPRINGERS  
& FORKSHANDLEBARS  
& RISERS

LIGHTING

FRAMES &  
ACCESSORIESWHEELS  
& BRAKESGAS & OIL  
TANKSSHEET  
METALENGINE &  
ELECTRICALPRIMARY &  
DRIVETRAINFOOT  
CONTROLS

TRANSMISSION

EXHAUST

TOOLS &  
GENERAL

# UPSWEPT FISHTAILS FOR 1991-2017 DYNA MODELS



## 1 3/4" 'SIDE-BY-SIDE' UPSWEPT FISHTAILS FOR 1991-2017 DYNAS

Unbaffled upswept fishtails that feature long, one-piece 1 3/4" headpipes with blended fish-tail tips and 'side-by-side' styling. They bolt to the included exhaust bracket and come with both 12mm and 18mm O<sup>2</sup> sensor bungs and block-off plugs for 2006–2017 models. The pipe sets for 1991–2005 models do not have sensor bungs. Available with chrome-plated or high heat satin black powdercoated finishes, and optional 2 1/4" heat shields are highly recommended and sold separately.

- 731DSBS\*** Chrome for 2006–2017 Dynas (shown)
- 731DESBS\*** Chrome for 1991–2005 Dynas
- 731DSBSB\*** Black for 2006–2017 Dynas
- 731DESBSB\*** Black for 1991–2005 Dynas
- 431DSBS** Chrome heat shield set for 2006–2017 Dynas
- 431DESBS** Chrome heat shield set for 1991–2005 Dynas
- 431DSBSB** Black heat shield set for 2006–2017 Dynas
- 431DESBSB** Black heat shield set for 1991–2005 Dynas

**\* NOT LEGAL FOR SALE OR USE IN CALIFORNIA**



324



VISIT US ON THE INTERNET AT [WWW.PAUGHCO.COM](http://WWW.PAUGHCO.COM)  
OR E-MAIL US AT [INFO@PAUGHCO.COM](mailto:INFO@PAUGHCO.COM)

# EXHAUST SYSTEMS FOR 1993-2015 TOURING MODELS



## KING'S CUSTOM CYCLE COLLECTOR HEADERS FOR TOURING MODELS

Designed by King's Custom Cycles of Oklahoma City and made by Paughco. Every set features 1¾" headpipes with full-length heat shields to provide a deep, loud unmuffled sound, and a custom 6-bolt collector flange attaching a 3" collector with double barrel tip that matches the saddlebag angles. They include 12mm and 18mm O<sup>2</sup> sensor fittings and plugs (1999-up) and are available in chrome or high heat black powder paint.

- KCC01\*** Chrome for 1999–2015 models
- KCC01B\*** Black for 1999–2015 models
- KCC01E\*** Chrome for 1993–1998 models
- KCC01EB\*** Black for 1993–1998 models

**\* NOT LEGAL FOR SALE OR USE IN CALIFORNIA**

## PAUL YAFFE 'BUZZSAW' EXHAUST SYSTEMS FOR TOURING MODELS

Designed by Paul Yaffe and made by Paughco. These custom S-style drag pipe exhaust systems feature 1¾"-diameter headpipes and 2¼" partial-length heat shields with back cut design. The kick-out pipe tips have a radial cut for distinct styling. Sets include mounting brackets, hardware and O<sup>2</sup> sensor block-off plugs. Available with polished chrome or black high-temp powdercoated finishes.

- PY02\*** Chrome for 1993–2015 models
- PY02B\*** Black for 1993–2015 models

**\* NOT LEGAL FOR SALE OR USE IN CALIFORNIA**



TO ORDER THESE PARTS, CALL US AT 775-246-5738  
OR TOLL FREE AT 800-423-2621



TRIKE  
KITS

SPRINGERS  
& FORKS

HANDLEBARS  
& RISERS

LIGHTING

FRAMES &  
ACCESSORIES

WHEELS  
& BRAKES

GAS & OIL  
TANKS

SHEET  
METAL

ENGINE &  
ELECTRICAL

PRIMARY &  
DRIVETRAIN

FOOT  
CONTROLS

TRANSMISSION

EXHAUST

TOOLS &  
GENERAL

# EXHAUST SYSTEMS FOR LATE 1985-1994 TOURING MODELS



## SPECIAL NOTES:

- 1) STRAIGHT PIPES ARE NOT RECOMMENDED FOR USE ON THE STREET.
- 2) SEE PAGES 349-353 FOR PHOTOS OF THE HEAT SHIELDS FOR THESE PIPE SETS.

733C5\*  
2-INTO-1  
HEADPIPES



## 1 3/4" EXHAUST SYSTEMS FOR LATE 1985-1994 TOURING MODELS

These stylish drag pipe and headpipe sets will fit all late 1985-1994 Evolution-powered FLT, FLHT, FLHS and Road King models. Heat shields are highly recommended.

### DRAG PIPE SET

This drag pipe set has slider channels, and includes Paughco #725S mounting hardware.

**735EVOS\*** 40"-long Slash Cut drag pipes (shown below on Twin Cam bike)

**435EVOF** Front heat shield (shown below on bike)

**435EVAR** Rear heat shield (shown below on bike)

**725S** Replacement hardware kit

### HEADPIPE SETS

Combine these headpipes with tailpipe extensions or mufflers for these bikes (see pages 242-243).

**733C5\*** 2-into-1 headpipes ONLY

**735G\*** Independent duals (includes Paughco #725N crossover bracket)

**735-5\*** Crossover duals (includes Paughco #725N crossover bracket)

**435EVOF** Front heat shield for Paughco #'s 733C5, 735G and 735-5 pipe sets (shown below on bike)

**433C4F** Low front heat shield with notch for Paughco #'s 733C5 and 735-5 pipe sets (not shown)

**433C5R** Rear heat shield for Paughco #733C5 pipe set (not shown)

**435-5R** Rear heat shield for Paughco #735-5 pipe set (not shown)

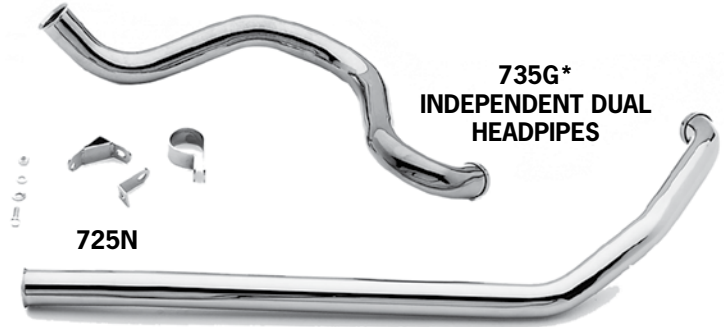
**435G** Crossover heat shield for Paughco #'s 735G and 735-5 pipe sets (not shown)

**435GS** Snail heat shield for right side rear cylinder on Paughco #735G pipe set (not shown)

**725N** Replacement hardware kit

**\* NOT LEGAL FOR SALE OR USE IN CALIFORNIA**

735G\*  
INDEPENDENT DUAL  
HEADPIPES



725N

735-5\*  
CROSSOVER DUAL  
HEADPIPES



725N



**735EVOS\***  
40"-LONG SLASH CUT DRAG PIPES

# EXHAUST SYSTEMS FOR 1995-2006 TOURING MODELS

## 1 3/4" EXHAUST SYSTEMS FOR 1995-2006 TOURING MODELS



**733C7\***  
2-INTO-1  
HEADPIPES



**725N**

**735G1\***  
INDEPENDENT DUAL  
HEADPIPES



HEAT SHIELD PHOTOS CAN BE SEEN ON PAGES 349-353



**725N1**

**735-7\***  
CROSSOVER DUAL  
HEADPIPES

### SPECIAL NOTES:

1) STRAIGHT PIPES ARE NOT RECOMMENDED FOR USE ON THE STREET.

These drag pipe and headpipe sets fit 1995-2006 FLT, FLHT, FLHS and Road King models. Heat shields are recommended.

### DRAG PIPE SET

This drag pipe set has slider channels, and includes Paughco #725S mounting hardware.

**735EVOS\*** 40"-long Slash Cut drag pipes (shown on bike on facing page)

**725S** Replacement hardware mounting kit

### HEADPIPE SETS

Complete your exhaust system by combining these headpipes with tailpipe extensions or mufflers for these bikes (see page 244).

**733C7\*** 2-into-1 headpipes ONLY for 1995-2006 Touring models

**735G1\*** Independent duals for 1995-2006 models (includes a Paughco #725N crossover bracket) shown below on bike

**735-7\*** Crossover duals for 1995-2006 models (includes a Paughco #725N1 crossover bracket)

**725N** Replacement hardware mounting kit

**725N1** Replacement hardware mounting kit

### HEAT SHIELDS

**435EVOF** Front heat shield (shown below on bike)

**433C4F** Low front heat shield with notch for Paughco #'s 733C7 and 735-7 pipe sets (not shown)

**425-5** Low front heat shield without notch for Paughco #735G1 pipe set (shown below on bike)

**435EVOR** Rear heat shield for Paughco #735EVOS pipe set (not shown)

**433C5R** Rear heat shield for Paughco #733C7 pipe set (not shown)

**435-5R** Rear heat shield for Paughco #735-7 pipe set (not shown)

**435G** Crossover heat shield for Paughco #'s 735G1 and 735-7 pipe sets (not shown)

**435GS** Snail heat shield for right side rear cylinder on #735G1 pipe set (shown below on bike)

**\* NOT LEGAL FOR SALE OR USE IN CALIFORNIA**



**735G1\* INDEPENDENT DUAL HEADPIPES WITH 623-2\* TURNDOWN MUFFLERS**

TO ORDER THESE PARTS, CALL US AT 775-246-5738 OR TOLL FREE AT 800-423-2621



327

TRIKE KITS

SPRINGERS & FORKS

HANDLEBARS & RISERS

LIGHTING

FRAMES & ACCESSORIES

WHEELS & BRAKES

GAS & OIL TANKS

SHEET METAL

ENGINE & ELECTRICAL

PRIMARY & DRIVETRAIN

FOOT CONTROLS

TRANSMISSION

EXHAUST

TOOLS & GENERAL

# EXHAUST SYSTEMS For 2007-2009 TOURING MODELS



733C9\*  
2-INTO-1  
HEADPIPES

## 1 3/4" EXHAUST SYSTEMS For 2007-2009 TOURING MODELS

These drag pipe and headpipe sets fit many 2007-2009 FLT, FLHT and Road King models. Heat shields are recommended.

### DRAG PIPE SET FOR 2007-2009 MODELS

This drag pipe set has slider channels, and includes Paughco #725S mounting hardware.

**735EVOS\*** 40"-long Slash Cut drag pipes (shown on bike on page 326)

**725S** Replacement hardware mounting kit

### HEADPIPE SETS FOR 2007-2008 MODELS

Complete your exhaust system with tailpipe extensions or mufflers for these bikes (see page 244).

**733C9\*** 2-into-1 headpipes ONLY

**735G3\*** Independent dual headpipes ONLY (includes a Paughco #725N crossover bracket) shown below on bike

**735-9\*** Crossover dual headpipes ONLY (includes a Paughco #725N1 crossover bracket)

**725N** Replacement hardware mounting kit

**725N1** Replacement hardware mounting kit

### HEAT SHIELDS

**435EVOF** Front heat shield (shown below on bike)

**433C4F** Low front heat shield with notch for Paughco #'s 733C9 and 735-9 pipe sets (not shown)

**425-5** Low front heat shield without notch for Paughco #735G3 pipe set (shown below on bike)

**435EVOR** Rear heat shield for Paughco #735EVOS pipe set (not shown)

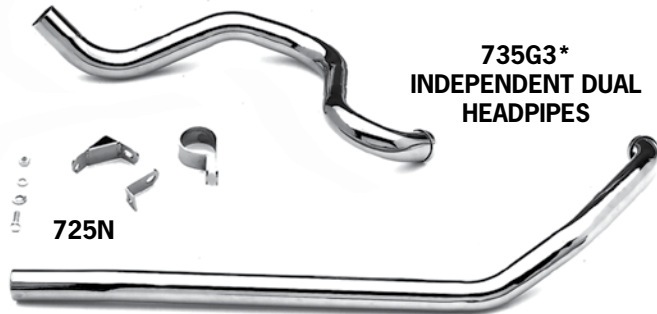
**433C5R** Rear heat shield for Paughco #733C9 pipe set (not shown)

**435-5R** Rear heat shield for Paughco #735-9 pipe set (not shown)

**435G** Crossover heat shield for Paughco #'s 735G3 and 735-9 pipe sets (not shown)

**435GS** Snail heat shield for right side rear cylinder on Paughco #735G3 pipe set (shown below on bike)

**\* NOT LEGAL FOR SALE OR USE IN CALIFORNIA**



735G3\*  
INDEPENDENT DUAL  
HEADPIPES

725N



O<sub>2</sub> SENSOR BUNG



735-9\*  
CROSSOVER DUAL  
HEADPIPES

725N1

HEAT SHIELD PHOTOS CAN BE SEEN ON PAGES 349-353



735G3\* INDEPENDENT DUAL HEADPIPES  
WITH 623-2\* TURNDOWN MUFFLERS