

EXHAUST PIPE SETS FOR FLATHEAD BIG TWINS



**717B
UPSWEEP
SHOTGUN HEADPIPES**

1 3/4" EXHAUST PIPES FOR FLATHEAD BIG TWINS

Use Paughco #725D clamps to install.

717B Upsweep shotgun headpipes ONLY for use with extensions or universal mufflers

727B Headpipes ONLY for use with extensions or universal mufflers

727 34"-long Slash Cut drag pipes

727A 34"-long Goose Cut drag pipes



**727
34"-LONG
SLASH CUT
DRAG PIPES**



**727B
1 3/4" HEADPIPES**



**727A
34"-LONG
GOOSE CUT
DRAG PIPES**

SPECIAL NOTES:

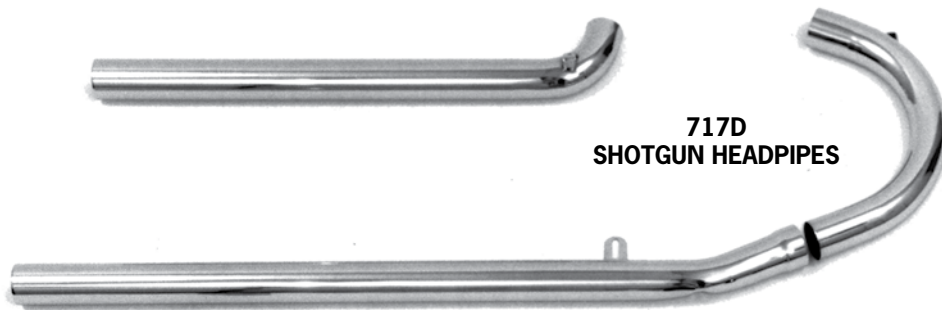
- 1) DRAG PIPES ARE NOT RECOMMENDED FOR STREET USE.
- 2) SEE PAGE 247 FOR P-CLAMPS AND FRAME RAIL CLAMPS TO INSTALL THESE PIPE SETS.



**717B UPSWEEP HEADPIPES WITH 607A
UNIVERSAL DAGO TAIL PIPE EXTENSIONS**



EXHAUST PIPE SETS FOR FLATHEADS



**717D
SHOTGUN HEADPIPES**



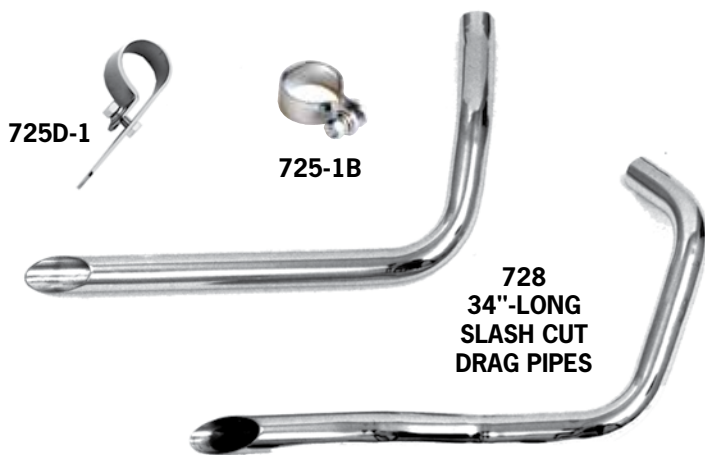
1 3/4" HEADPIPES FOR FLATHEAD BIG TWINS

3-piece design bolts-on easily and looks and sounds great. Use Paughco #725D clamps to install.

717D Shotgun headpipes ONLY for use with extensions or universal mufflers

SPECIAL NOTES:

- 1) DRAG PIPES ARE NOT RECOMMENDED FOR STREET USE.
- 2) SEE PAGE 247 FOR P-CLAMPS AND FRAME RAIL CLAMPS TO INSTALL THESE PIPE SETS.



725D-1

725-1B

**728
34"-LONG
SLASH CUT
DRAG PIPES**

1 1/2" DRAG PIPES FOR 45" MODELS

These chrome beauties will fit all 45" models from 1929 thru 1973.... including 3-wheelers!

728 34"-long Slash Cut drag pipes

725-1B 1 1/2"-diameter pipe clamp (sold each)

725D-1 1 1/2"-diameter pipe clamp with tail (sold each)



**728 DRAG PIPES
ON 45" SOLO**

TO ORDER THESE PARTS, CALL US AT **775-246-5738**
OR TOLL FREE AT **800-423-2621**



TRIKE
KITS

SPRINGERS
& FORKS

HANDLEBARS
& RISERS

LIGHTING

FRAMES &
ACCESSORIES

WHEELS
& BRAKES

GAS & OIL
TANKS

SHEET
METAL

ENGINE &
ELECTRICAL

PRIMARY &
DRIVETRAIN

FOOT
CONTROLS

TRANSMISSION

EXHAUST

TOOLS &
GENERAL