

EXHAUST SYSTEMS FOR 1984-1994 EVOLUTION FXR MODELS



718-01

718-0

733C2*
2-INTO-1
HEADPIPES

1 3/4" 2-INTO-1 HEADPIPE SET FOR 1984-1994 EVOLUTION FXR MODELS

This 2-into-1 headpipe set for all 1984-1994 Evolution FXR models includes Paughco #'s 718-0 and 718-01 mounting hardware kits. Heat shields are recommended.

733C2* Headpipes ONLY for use with a tailpipe extension or universal muffler

718-0 Replacement hanger bracket to mount front pipe on a #733C2 pipe set

718-01 Replacement rubber-mounted hanger bracket for a muffler or tailpipe extension on a Paughco #733C2 pipe set

431SF Front heat shield for Paughco #733C2 pipe set (shown below on bike)

433C4F Low front heat shield for Paughco #733C2 pipe set (shown below on bike)

433C5R Rear heat shield for Paughco #733C2 pipe set (shown below on bike)

*** NOT LEGAL FOR SALE OR USE IN CALIFORNIA**



SPECIAL NOTES:

- 1) DRAG PIPES ARE NOT RECOMMENDED FOR USE ON THE STREET.
- 2) SEE PAGE 247 FOR P-CLAMPS AND FRAME RAIL CLAMPS TO INSTALL THESE PIPE SETS.
- 3) SEE PAGES 349-353 FOR PHOTOS OF THE HEAT SHIELDS FOR THESE PIPE SETS.



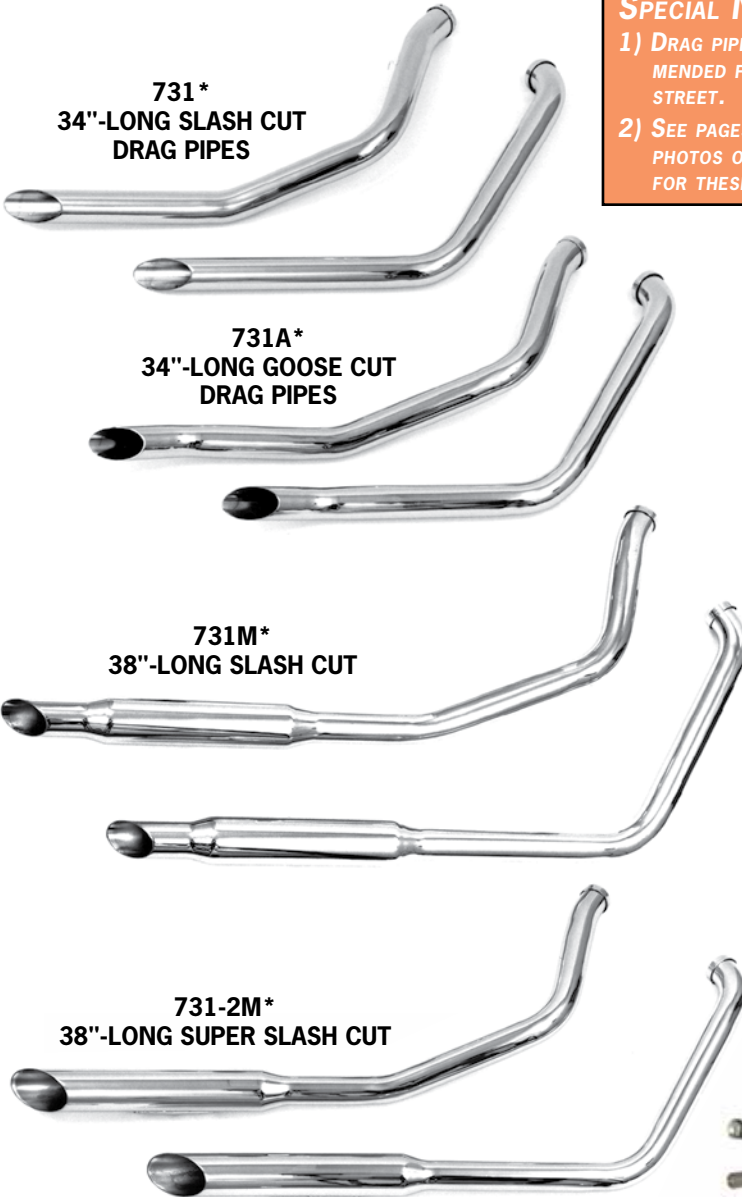
733C2*
2-INTO-1 HEADPIPE SET WITH
608 UNIVERSAL FISHTAIL MUFFLER



EXHAUST SYSTEMS FOR 1984-1994 EVOLUTION FXR MODELS

SPECIAL NOTES:

- 1) DRAG PIPES ARE NOT RECOMMENDED FOR USE ON THE STREET.
- 2) SEE PAGES 349-353 FOR PHOTOS OF THE HEAT SHIELDS FOR THESE PIPE SETS.



731*
34"-LONG SLASH CUT
DRAG PIPES

731A*
34"-LONG GOOSE CUT
DRAG PIPES

731M*
38"-LONG SLASH CUT

731-2M*
38"-LONG SUPER SLASH CUT

1 3/4" STAGGERED DUALS FOR EVOLUTION FXR MODELS FROM 1984-1994

Seven different sets of drag pipes and muffled exhaust systems to choose from for all 1984-1994 Evolution FXR models. They all have slider channels on the mufflers (except the 34"-long drag pipes) that will let them bolt up to the stock HD mounting brackets on models thru 1992. Heat shields are recommended.

- 731*** 34"-long Slash Cut drag pipes (use Paughco #725D clamps to install)
- 731A*** 34"-long Goose Cut drag pipes (use Paughco #725D clamps to install)
- 731-40*** 40"-long Slash Cut drag pipes (shown below on bike)
- 731M*** 38"-long Slash Cut muffler set
- 731GM*** 38"-long Goose Cut muffler set
- 731TM*** 38"-long Tapered muffler set
- 731-2M*** 38"-long Super Slash Cuts
- 431SF** Front heat shield for Paughco #731 series pipe sets (shown below on bike)
- 431R** Rear heat shield for Paughco #731 series pipe sets (shown below on bike)

*** NOT LEGAL FOR SALE OR USE IN CALIFORNIA**



731GM*
38"-LONG GOOSE CUT



731TM*
38"-LONG TAPERED



731-40*
40"-LONG SLASH CUT DRAG PIPES

TO ORDER THESE PARTS, CALL US AT 775-246-5738
OR TOLL FREE AT 800-423-2621



- TRIKE KITS
- SPRINGERS & FORKS
- HANDLEBARS & RISERS
- LIGHTING
- FRAMES & ACCESSORIES
- WHEELS & BRAKES
- GAS & OIL TANKS
- SHEET METAL
- ENGINE & ELECTRICAL
- PRIMARY & DRIVETRAIN
- FOOT CONTROLS
- TRANSMISSION
- EXHAUST
- TOOLS & GENERAL

TRIKE
KITSSPRINGS
& FORKSHANDLEBARS
& RISERS

LIGHTING

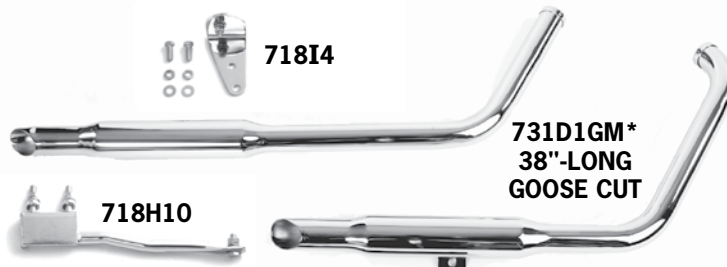
FRAMES &
ACCESSORIESWHEELS
& BRAKESGAS & OIL
TANKSSHEET
METALENGINE &
ELECTRICALPRIMARY &
DRIVETRAINFOOT
CONTROLS

TRANSMISSION

EXHAUST

TOOLS &
GENERAL

SHOTGUNS For 1985-1986 FXWG EVOLUTION WIDE GLIDES



1 3/4" SHOTGUN EXHAUST SYSTEMS FOR 1985-1986 4-SPEED FXWG

These drag pipe and muffler sets for Evolution-powered FXWG's feature Shotgun rear pipes, and include mounting brackets and hardware. Heat shields for the front and rear pipes are highly recommended.

731D1-40* 40"-long Slash Cut drag pipes (shown below on bike). Includes 718I4 and 718H10 mounting brackets

731D1GM* 38"-long Goose Cut muffler set (includes 718I4 and 718H10 mounting brackets)

731D1M* 38"-long Slash Cut muffler set (includes 718J and 718H10 mounting brackets)

731D1TM* 38"-long Tapered muffler set (includes 718I4 and 718H10 mounting brackets)

718H10 Replacement front pipe hanger bracket for Paughco #731D1 series pipe sets (shown below on bike)

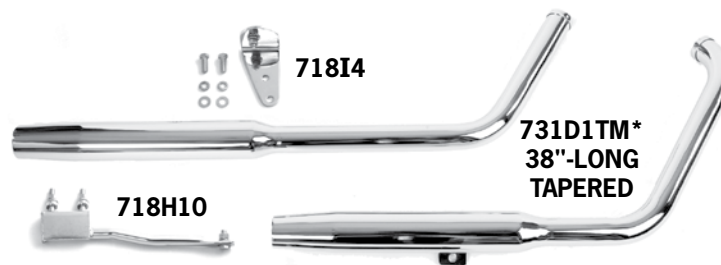
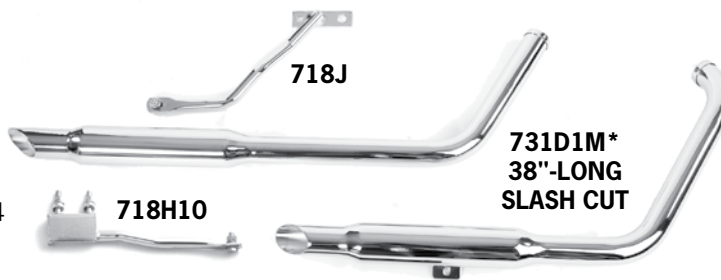
718I4 Replacement rear pipe bracket for Paughco #'s 731D1-40, 731D1GM and 731D1TM pipe sets (shown below on bike)

718J Replacement rear pipe hanger bracket for Paughco #731D1M pipe set (bolts to upper shock stud and rear strut)

431SF Front heat shield for Paughco #731D1 series pipe sets (shown below on bike)

431-1R Rear heat shield for Paughco #731D1 series pipe sets (shown below on bike)

*** NOT LEGAL FOR SALE OR USE IN CALIFORNIA**



SPECIAL NOTES:

- 1) DRAG PIPES ARE NOT RECOMMENDED FOR USE ON THE STREET.
- 2) SEE PAGES 349-353 FOR PHOTOS OF THE HEAT SHIELDS FOR THESE PIPE SETS.



731D1-40*
40"-LONG SLASH CUT SHOTGUN DRAG PIPES



EXHAUST SYSTEMS FOR 1984-1999 EVOLUTION SOFTTAILS



TRIKE
KITS

SPRINGERS
& FORKS

HANDLEBARS
& RISERS

LIGHTING

FRAMES &
ACCESSORIES

WHEELS
& BRAKES

GAS & OIL
TANKS

SHEET
METAL

ENGINE &
ELECTRICAL

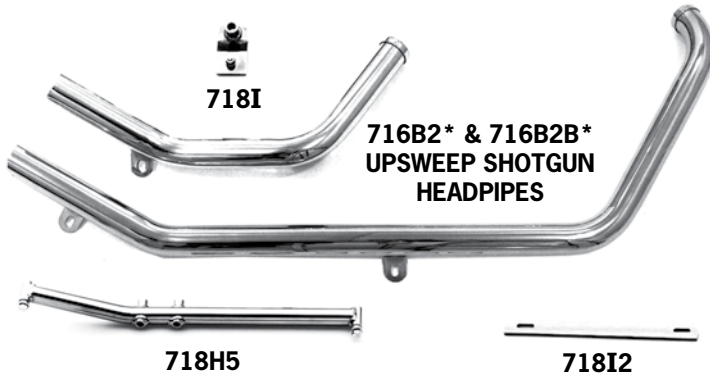
PRIMARY &
DRIVETRAIN

FOOT
CONTROLS

TRANSMISSION

EXHAUST

TOOLS &
GENERAL



1 3/4" HEADPIPE SETS AND SHOTGUN EXHAUST SYSTEMS FOR 1984-1999 EVOLUTION SOFTTAILS

Three distinctly different styles to choose from.

2-INTO-1 HEADPIPE SET

For use with a tailpipe extension or universal muffler on all 1984-1999 Softtails, including floorboard models.

733C3* Headpipes ONLY. Use Paughco #718K hanger bracket to install (sold separately)

718K Hanger bracket for #733C3 pipe set

431SF Front heat shield for Paughco #733C3 pipe set (not shown)

433CF Low front heat shield for Paughco #733C3 pipe set (not shown)

433C3R Rear heat shield for Paughco #733C3 pipe set (not shown)

UPSWEAP SHOTGUN HEADPIPE SETS

For use with tailpipe extensions or universal mufflers on all 1984-1999 Softtails, including floorboard models. The Paughco #716B2 front pipe bolts to the stock H-D mounting bracket, while the #716B2B front pipe bolts to the included 718H5 mounting bracket. The rear pipes on both sets attach to the included 718I mount that bolts onto the rear passenger footpeg location. A 718I2 strap is also included with both sets to join the front and rear pipes.

716B2* Headpipes for 1984-1994 models

716B2B* Headpipes for 1995-1999 models

718I Replacement hanger bracket for rear pipe on Paughco #'s 716B2 and 716B2B pipe sets (mounts to footpeg)

718I2 Replacement mounting strap for Paughco #'s 716B2 and 716B2B pipe sets

718H5 Replacement hanger bracket for front pipe on Paughco #716B2B pipe set

431SF Front heat shield for Paughco #'s 716B2 and 716B2B pipe sets (not shown)

416B2R Rear heat shield for Paughco #'s 716B2 and 716B2B pipe sets (not shown)

SHOTGUN EXHAUST SYSTEM

731SD40* 40"-long Slash Cut drag pipes (includes a #731SB10 hanger bracket)

731SB10 Replacement hanger bracket kit for Paughco #731SD40 pipe set

431SF Front heat shield for Paughco #'s 731SD40 pipe set

431SDR Rear heat shield for Paughco #'s 731SD40 pipe set

*** NOT LEGAL FOR SALE OR USE IN CALIFORNIA**

SPECIAL NOTES:

1) DRAG PIPES ARE NOT RECOMMENDED FOR USE ON THE STREET.

2) SEE PAGES 349-353 FOR PHOTOS OF THE HEAT SHIELDS FOR THESE PIPE SETS.

TO ORDER THESE PARTS, CALL US AT 775-246-5738
OR TOLL FREE AT 800-423-2621



TRIKE
KITS

SPRINGERS
& FORKS

HANDLEBARS
& RISERS

LIGHTING

FRAMES &
ACCESSORIES

WHEELS
& BRAKES

GAS & OIL
TANKS

SHEET
METAL

ENGINE &
ELECTRICAL

PRIMARY &
DRIVETRAIN

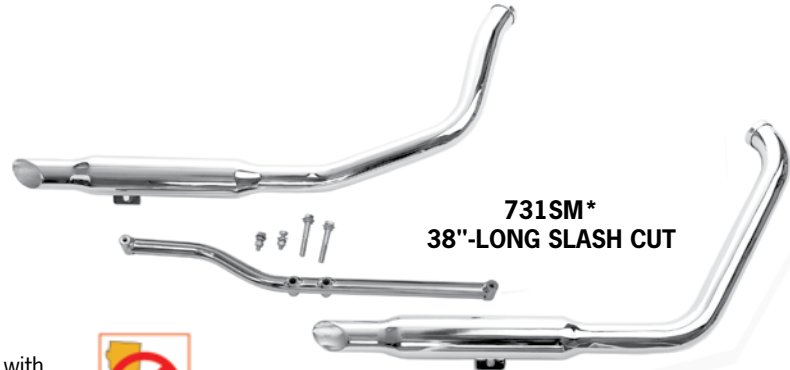
FOOT
CONTROLS

TRANSMISSION

EXHAUST

TOOLS &
GENERAL

STAGGERED DUALS For 1984-1999 EVOLUTION SOFTTAILS



731SM*
38"-LONG SLASH CUT



1 3/4" EXHAUST SYSTEMS For 1984-1999 EVOLUTION SOFTTAILS

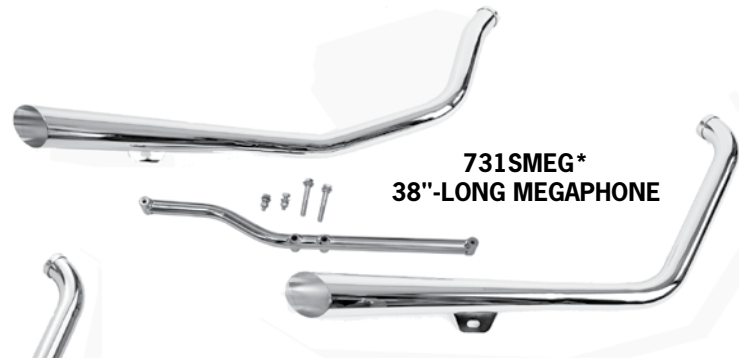
These staggered dual muffler sets will fit all Softails with Evolution engines from 1984-1999, including FL Softails with floorboards. They all include a Paughco #718H8 mounting bracket to ease installation. Heat shields are recommended.

- 731SM*** 38"-long Slash Cut muffler set
- 731SGM*** 38"-long Goose Cut muffler set
- 731S2M*** 38"-long Super Slash Cuts
- 731SMEG*** 38"-long Megaphone muffler set
- 731STM*** 38"-long Tapered muffler set (shown below on bike)
- 431SF** Front heat shield for Paughco #731S series pipe sets (shown below on bike)
- 431SR** Rear heat shield for Paughco #731S series pipe sets (shown below on bike)
- 718H8** Replacement hanger bracket for Paughco #731S series pipe sets

*** NOT LEGAL FOR SALE OR USE IN CALIFORNIA**



731S2M*
38"-LONG
SUPER SLASH CUT



731SMEG*
38"-LONG MEGAPHONE



731SGM*
38"-LONG GOOSE CUT

HEAT SHIELD PHOTOS CAN BE SEEN ON PAGES 349-353



731STM*
38"-LONG TAPERED



VISIT US ON THE INTERNET AT WWW.PAUGHCO.COM
OR E-MAIL US AT INFO@PAUGHCO.COM

DRAG PIPE SETS FOR 1984-1999 EVOLUTION SOFTTAILS

TRIKE
KITS

SPRINGERS
& FORKS

HANDLEBARS
& RISERS

LIGHTING

FRAMES &
ACCESSORIES

WHEELS
& BRAKES

GAS & OIL
TANKS

SHEET
METAL

ENGINE &
ELECTRICAL

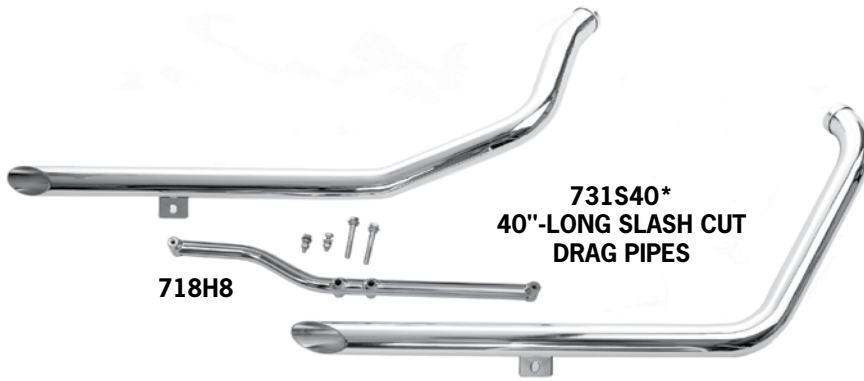
PRIMARY &
DRIVETRAIN

FOOT
CONTROLS

TRANSMISSION

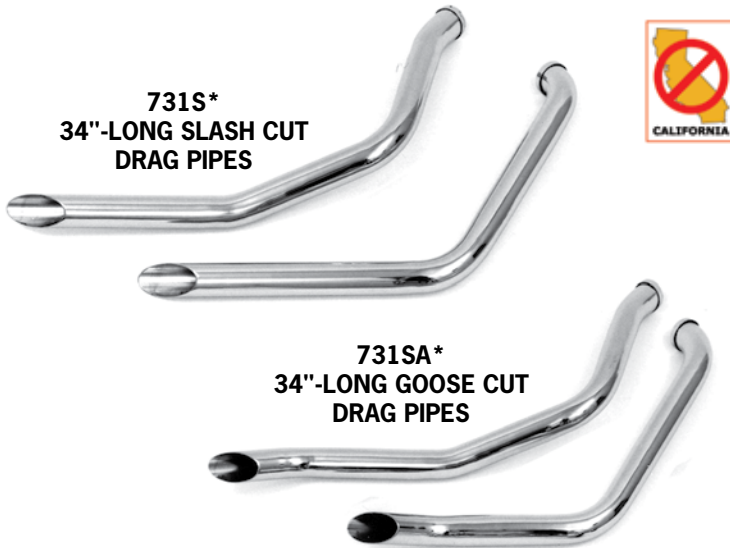
EXHAUST

TOOLS &
GENERAL



731S40*
40"-LONG SLASH CUT
DRAG PIPES

718H8



731S*
34"-LONG SLASH CUT
DRAG PIPES

731SA*
34"-LONG GOOSE CUT
DRAG PIPES



1 3/4" DRAG PIPE SETS FOR 1984-1999 EVOLUTION SOFTTAILS

These drag pipe sets will fit all Softails with Evolution engines from 1984-1999, including FL Softails with floorboards. They include a Paughco #718H8 mounting bracket (except the 34"-long drag pipes) to ease installation. Heat shields are recommended.

- 731S*** 34"-long Slash Cut drag pipes (use Paughco #725D clamps to install)
- 731SA*** 34"-long Goose Cut drag pipes (use Paughco #725D clamps to install)
- 731S40*** 40"-long Slash Cut drag pipes
- 731SA40*** 40"-long Goose Cut drag pipes (shown below on bike)
- 431SF** Front heat shield for Paughco #731S series pipe sets (shown below on bike)
- 431SR** Rear heat shield for Paughco #731S series pipe sets (shown below on bike)
- 718H8** Hanger bracket for Paughco #731S series pipe sets

*** NOT LEGAL FOR SALE OR USE IN CALIFORNIA**

SPECIAL NOTES:

- 1) DRAG PIPES ARE NOT RECOMMENDED FOR USE ON THE STREET.
- 2) SEE PAGE 247 FOR P-CLAMPS AND FRAME RAIL CLAMPS TO INSTALL THESE PIPE SETS.
- 3) SEE PAGES 349-353 FOR PHOTOS OF THE HEAT SHIELDS FOR THESE PIPE SETS.

ADDITIONAL MUFFLER SETS
CAN BE FOUND ON THE
PREVIOUS PAGE



731SA40*
40"-LONG GOOSE CUT DRAG PIPES

TO ORDER THESE PARTS, CALL US AT 775-246-5738
OR TOLL FREE AT 800-423-2621



TRIKE
KITS

SPRINGERS
& FORKS

HANDLEBARS
& RISERS

LIGHTING

FRAMES &
ACCESSORIES

WHEELS
& BRAKES

GAS & OIL
TANKS

SHEET
METAL

ENGINE &
ELECTRICAL

PRIMARY &
DRIVETRAIN

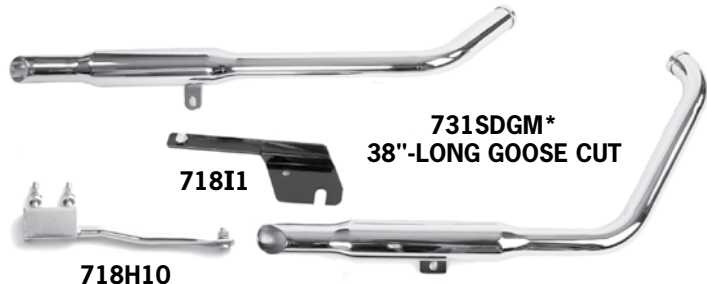
FOOT
CONTROLS

TRANSMISSION

EXHAUST

TOOLS &
GENERAL

SHOTGUNS FOR 1984-1999 EVOLUTION SOFTAILS



731SDGM*
38"-LONG GOOSE CUT

1 3/4" SHOTGUN EXHAUST SYSTEMS FOR 1984-1999 EVOLUTION SOFTAILS

These complete Shotgun exhaust systems will fit all Softail models with Evolution engines from 1984-1999, including FL Softails with floorboards. They all include Paughco #'s 718H10 and 718I1 mounting brackets to simplify installation. Heat shields are recommended.

- 731SDGM*** 38"-long Goose Cut muffer set
- 731SDM*** 38"-long Slash Cut muffer set
- 731SD2M*** 38"-long Super Slash Cuts
- 731SDTM*** 38"-long Tapered muffer set (shown below on bike)



731SDM*
38"-LONG SLASH CUT

- 431SF** Front heat shield for Paughco #731SD series pipe sets (shown below on bike)
- 431SDR** Rear heat shield for Paughco #731SD series pipe sets (shown below on bike)



731SD2M*
38"-LONG SUPER SLASH CUT

- 718H10** Replacement hanger bracket to mount the front pipe of Paughco #731SD series pipe sets
- 718I1** Replacement hanger bracket to mount the rear pipe of Paughco #731SD series pipe sets

*** NOT LEGAL FOR SALE OR USE IN CALIFORNIA**

HEAT SHIELD PHOTOS CAN BE SEEN ON PAGES 349-353

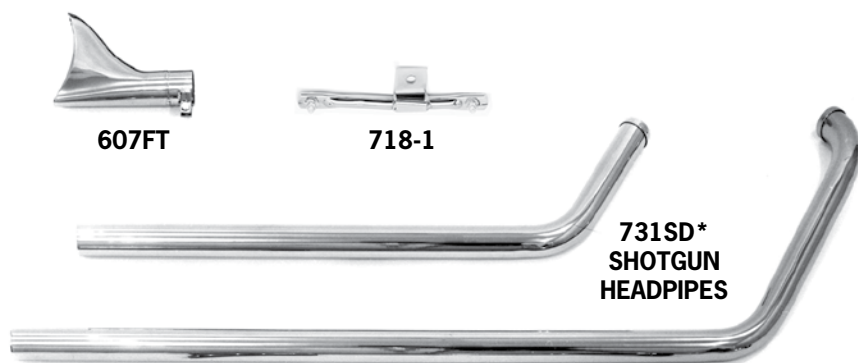


731SDTM*
38"-LONG TAPERED



VISIT US ON THE INTERNET AT WWW.PAUGHCO.COM
OR E-MAIL US AT INFO@PAUGHCO.COM

PIPE SETS & MUFFLERS FOR 1984-1999 EVOLUTION SOFTTAILS



SPECIAL NOTES:
 1) STRAIGHT PIPES ARE NOT RECOMMENDED FOR USE ON THE STREET.
 2) SEE PAGES 349-353 FOR PHOTOS OF THE HEAT SHIELDS FOR THESE PIPE SETS.

1 3/4" HEADPIPE SETS FOR 1984-1999 EVOLUTION SOFTTAILS

These headpipes will fit most 1984-1999 Softtails.

SHOTGUN HEADPIPE SET

This unique headpipe set fits all 1984-1994 Softtails, and can be used alone, or combined with Paughco #607FT clamp-on Fishtail tips for a nostalgic look.

731SD* Headpipes ONLY with slider channels (includes a Paughco #718-1 hanger bracket)

431SF Front heat shield for Paughco #731SD headpipe set (shown below on bike)

431SDR Rear heat shield for Paughco #731SD headpipe set (not shown)

718-1 Replacement hanger bracket for Paughco #731SD headpipe set

607FT Fishtail tip (sold each)

*** NOT LEGAL FOR SALE OR USE IN CALIFORNIA**

SIDE-BY-SIDE HEADPIPE SET

This headpipe set includes a Paughco #718H8 hanger bracket, and can be used alone or combined with Paughco #607FT clamp-on Fishtail tips for a nostalgic look.

731SD1* Side-by-side staggered dual headpipes ONLY (shown below on bike)

431SF Front heat shield for Paughco #731SD1 headpipe set (shown below on bike)

431SR Rear heat shield for Paughco #731SD1 headpipe set (shown below on bike)

718H8 Replacement hanger bracket for Paughco #731SD1 headpipe set (shown below on bike)

607FT Fishtail tip (sold each)

*** NOT LEGAL FOR SALE OR USE IN CALIFORNIA**



731SD1* SIDE-BY-SIDE STAGGERED DUAL HEADPIPES WITH 607FT FISHTAIL TIPS

TO ORDER THESE PARTS, CALL US AT 775-246-5738
 OR TOLL FREE AT 800-423-2621



TRIKE
KITS

SPRINGERS
& FORKS

HANDLEBARS
& RISERS

LIGHTING

FRAMES &
ACCESSORIES

WHEELS
& BRAKES

GAS & OIL
TANKS

SHEET
METAL

ENGINE &
ELECTRICAL

PRIMARY &
DRIVETRAIN

FOOT
CONTROLS

TRANSMISSION

EXHAUST

TOOLS &
GENERAL

CROSSOVER DUALS FOR 1989-1999 EVOLUTION SOFTTAILS



718M



425-1

1 3/4" CROSSOVER HEADPIPES FOR 1989-1999 5-SPEED EVOLUTION SOFTTAILS

A nice selection of single and dual crossover headpipe sets for 1989-1999 Evolution Softtails with 5-speed transmissions. Complete your exhaust system by combining these headpipes with tailpipe extensions or universal mufflers. Heat shields are recommended.

INDEPENDENT DUAL HEADPIPE SETS

Mounting hardware is included.

735I* Headpipes for 1989-1994 models (shown below on bike)

735IA* Headpipes for 1995-1999 models

CROSSOVER DUAL HEADPIPE SETS

Mounting hardware is included.

735-6* Headpipes for 1989-1994 models

735-6A* Headpipes for 1995-1999 models

SHIFT LINKAGE AND HANGER BRACKETS

718M Shift linkage with bent arm to clear left-side pipe on 735I and 735-6 pipe sets

718L Hanger brackets for Paughco #'s 735I and 735-6

718L1 Hanger brackets for Paughco #'s 735IA and 735-6A

7250 Rear crossover bracket for Paughco #735I series pipe sets

725P Rear crossover bracket for Paughco #735-6 series pipe sets

HEAT SHIELDS

425-1 For left-side crossover (shown on bike)

425-2 With notch for lower front pipe

425-5 Without notch for lower front pipe

431SF For high front pipe (shown on bike)

435-6R For rear pipe on Paughco #735-6 series pipe sets

435IS Snail heat shield for right side rear cylinder on Paughco #'s 735I and 735IA (shown on bike)

*** NOT LEGAL FOR SALE OR USE IN CALIFORNIA**



435-6R

735-6* & 735-6A*
CROSSOVER DUALS

431SF



425-2



718L1



725P



718L



HEAT SHIELD PHOTOS
CAN BE SEEN ON
PAGES 349-353



735I* INDEPENDENT DUAL CROSSOVER HEADPIPES
WITH 606* UNIVERSAL FISHTAIL MUFFLERS

PIPE SETS & MUFFLERS FOR 1990-1999 FLSTF/FLSTN

STOCK REPLACEMENT MUFFLERS



608-3F*



609-3F*



608-3R*



609-3R*



1 3/4" SHOTGUN EXHAUST SYSTEMS AND REPLACEMENT MUFFLERS FOR FLSTF AND FLSTN SOFTAIL MODELS

Slip-on mufflers or complete Shotgun pipe sets for 1990-1999 FLSTF and 1993-1996 FLSTN models.

SHOTGUN EXHAUST SYSTEMS

These Shotgun pipe sets will bolt to the stock HD mounting brackets.

731-1-40* 40"-long Slash Cut drag pipes (shown below on bike)

731-1TM* 38"-long Tapered muffer set

731-1-2M* 38"-long Super Slash Cuts

431SF Front heat shield for Paughco #731-1 series pipe sets (shown on bike)

431-1R Rear heat shield for Paughco #731-1 series pipe sets (shown on bike)

STOCK REPLACEMENT SLIP-ON MUFFLERS

These 2 1/2"-diameter mufflers will bolt to the stock HD mounting brackets. Sold each.

608-3F* Front Fishtail (22"-long)

608-3R* Rear Fishtail (22"-long)

609-3F* Front Tapered (18"-long)

609-3R* Rear Tapered (18"-long)

*** NOT LEGAL FOR SALE OR USE IN CALIFORNIA**

731-1TM*
38"-LONG TAPERED



731-1-2M*
38"-LONG SUPER SLASH CUT



SPECIAL NOTES:

- 1) DRAG PIPES ARE NOT RECOMMENDED FOR USE ON THE STREET.
- 2) SEE PAGES 349-353 FOR PHOTOS OF THE HEAT SHIELDS FOR THESE PIPE SETS.



731-1-40*
40"-LONG SLASH CUT DRAG PIPES

TO ORDER THESE PARTS, CALL US AT 775-246-5738
OR TOLL FREE AT 800-423-2621



TRIKE
KITS

SPRINGERS
& FORKS

HANDLEBARS
& RISERS

LIGHTING

FRAMES &
ACCESSORIES

WHEELS
& BRAKES

GAS & OIL
TANKS

SHEET
METAL

ENGINE &
ELECTRICAL

PRIMARY &
DRIVETRAIN

FOOT
CONTROLS

TRANSMISSION

EXHAUST

TOOLS &
GENERAL

TRIKE
KITS

SPRINGERS
& FORKS

HANDLEBARS
& RISERS

LIGHTING

FRAMES &
ACCESSORIES

WHEELS
& BRAKES

GAS & OIL
TANKS

SHEET
METAL

ENGINE &
ELECTRICAL

PRIMARY &
DRIVETRAIN

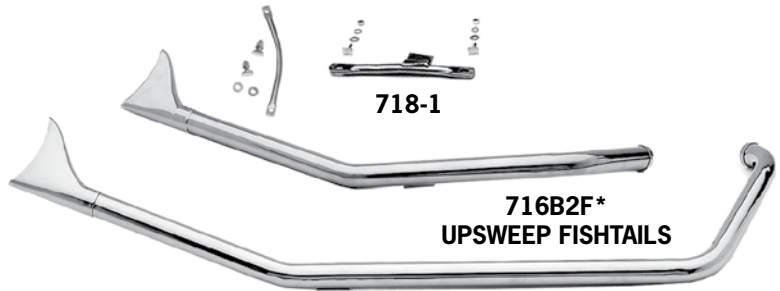
FOOT
CONTROLS

TRANSMISSION

EXHAUST

TOOLS &
GENERAL

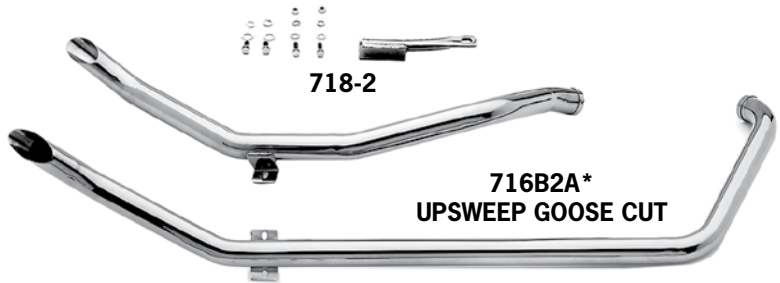
UPSWEEPS FOR 1986-1999 5-SPEED EVOLUTION SOFTTAILS



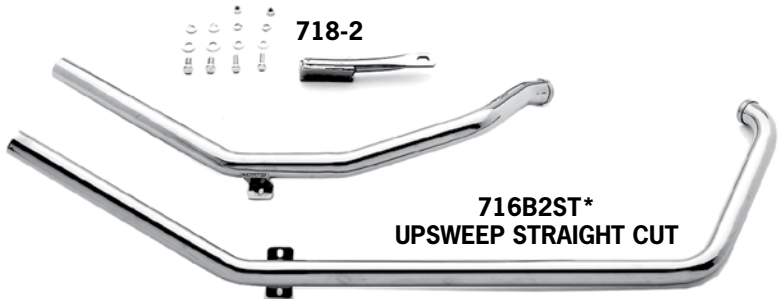
1 3/4" UPSWEEP DRAG PIPES AND FISHTAILS FOR 1986-1999 5-SPEED EVOLUTION SOFTTAILS

Fishtail Upsweeps and three different styles of Upsweep drag pipes to choose from. They all include mounting brackets and hardware, but will not fit with aftermarket kickstart kits.

- 716B2F*** Upsweep Fishtails (includes Paughco #718-1 hanger bracket)
- 716B2A*** Goose Cut drag pipes (includes Paughco #718-2 hanger bracket)
- 716B2S*** Slash Cut drag pipes (includes Paughco #718-2 hanger bracket) shown below on bike
- 716B2ST*** Straight Cut drag pipes (includes Paughco #718-2 hanger bracket)



- 431SF** Front heat shield for Paughco #716B2 pipes (shown below on bike)
- 431SDR** Rear heat shield for Paughco #716B2F pipe set (not shown)
- 431SR** Rear heat shield for Paughco #'s 716B2A, 716B2S and 716B2ST pipe sets (shown below on bike)



- 718-1** Replacement hanger bracket for Paughco #716B2F pipe set
- 718-2** Replacement hanger bracket for Paughco #'s 716B2A, 716B2S and 716B2ST pipe sets

*** NOT LEGAL FOR SALE OR USE IN CALIFORNIA**



SPECIAL NOTES:

- 1) DRAG PIPES ARE NOT RECOMMENDED FOR USE ON THE STREET.
- 2) SEE PAGES 349-353 FOR PHOTOS OF THE HEAT SHIELDS FOR THESE PIPE SETS.



**716B2S*
UPSWEEP
SLASH CUT
DRAG PIPES**



VISIT US ON THE INTERNET AT WWW.PAUGHCO.COM
OR E-MAIL US AT INFO@PAUGHCO.COM

UPSWEEPS FOR 1986-1999 5-SPEED EVOLUTION SOFTTAILS

TRIKE
KITS

SPRINGERS
& FORKS

HANDLEBARS
& RISERS

LIGHTING

FRAMES &
ACCESSORIES

WHEELS
& BRAKES

GAS & OIL
TANKS

SHEET
METAL

ENGINE &
ELECTRICAL

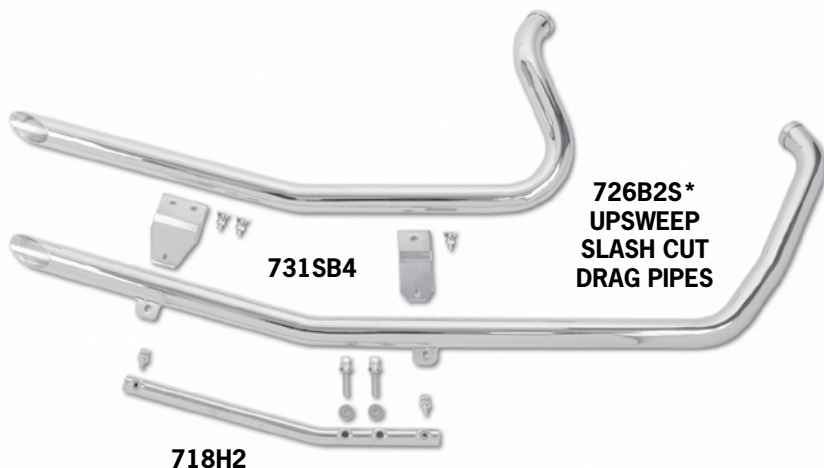
PRIMARY &
DRIVETRAIN

FOOT
CONTROLS

TRANSMISSION

EXHAUST

TOOLS &
GENERAL



1 3/4" UPSWEEP DRAG PIPES WITH 'S' STYLE REAR PIPE FOR 1986-1999 5-SPEED EVOLUTION SOFTTAILS

Choose from two styles of upswept drag pipes for Evolution Softails without HD saddlebags. These unbaffled chrome drag pipe sets include Paughco #'s 718H2 and 731SB4 hanger brackets to make installation a breeze. Optional chrome heat shields are highly recommended and sold separately.

- 726B2A*** Goose Cut drag pipes (shown below on bike)
- 726B2S*** Slash Cut drag pipes
- 718H2** Repl. hanger bracket
- 731SB4** Repl. mounting plates
- 433C8F** Chrome front heat shield
- 426R** Chrome rear heat shield

*** NOT LEGAL FOR SALE OR USE IN CALIFORNIA**

SPECIAL NOTES:

- 1) DRAG PIPES ARE NOT RECOMMENDED FOR USE ON THE STREET.
- 2) SEE PAGES 349-353 FOR PHOTOS OF THE HEAT SHIELDS FOR THESE PIPE SETS.



726B2A*
UPSWEEP GOOSE CUT DRAG PIPES
(SHOWN ON A TWIN CAM SOFTAIL)

TO ORDER THESE PARTS, CALL US AT 775-246-5738
OR TOLL FREE AT 800-423-2621

