



OSION



OCU-200 ICE MAKER

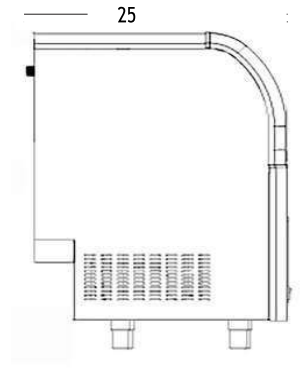
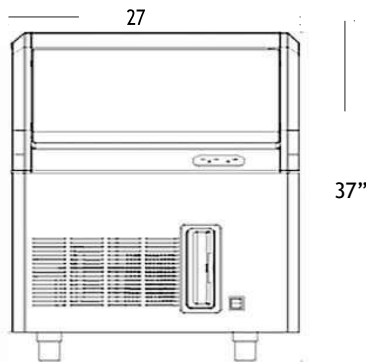
SELF CONTAINED UNDERCOUNTER

This heavy duty self-contained ice maker features maximum output, high storage capacity with space-saving application. A classic design with automatic easy operation panel and low energy consumption.

STANDARD FEATURES

- ▣ Up to 200 lbs. production of ice per 24 hours
- ▣ Built-in ice storage capacity of 80 lbs.
- ▣ Crescent shaped cubes
- ▣ Ergonomic ice access with slide-up door
- ▣ Smart display with friendly operation
- ▣ Thermo insulated ice bin

- ▣ Heavy duty 304 stainless steel exterior
- ▣ Removable & washable air filter
- ▣ Adjustable 6" legs for level install
- ▣ ETL safety & sanitation listed
- ▣ Water filter recommended



SPECIFICATIONS

MODEL OCU-200

Cond Unit	Cube Style	Daily Production	Cube Cycle Full Dice	Cube Cycle Half Dice	Storage	Water Usage gal/100lbs 90°F - 70°F	Voltage	Watt/ Amps
Air Cooled	Crescent	200 lbs/ 24hr/90 kg	150 pcs	300	80 lbs (36.44 kg)	23 gal	115V/60Hz	520 W 4.33 Amps
Net Weight	Shipping Weight	Refrigerant	Water Connection	Water Pressure	Overall Dimensions (WDH)		Shipping Dimensions (WDH)	
152 lbs (69.1 kg)	165 lbs (75 kg)	R290	3/4"	20-80 PSI	27.8 x 25.8 x 36.8 in 705 x 656 x 935 mm		30.8 x 28.1 x 39.0 in 780 x 715 x 990 mm	

*Operating Requirements Air Temp Farenheit: 50 degrees Minimum 100 degrees Maximum

Warranty: 36 months parts & labor. See Osion Price List for full details.

OSION is a registered trademark of MVP Group.

Due to continuing product development, to ensure best possible performance, the specifications are subject to change without prior notice.



www.mvpgroupcorp.com



3560 NW 56th Street
Fort Lauderdale, FL 33309
Tel.: 786.600.4687 / Toll Free: 844.218.8477
Fax.: 786.661.4100

5659
Royalmo
unt
Avenue
Montreal,
QC,
Canada
H4P 2P9

Tel.: 514.737.9701 /
Toll Free: 888.275.4538
Fax.: 514.342.3854 /
Toll Free: 877.453.8832

