



# AX-824RHD

**Full Size Convection Oven with Humidity**  
**Digital controls - Reversing Fans - 4 shelves**

COMES WITH  
POWER CORD  
NO PLUG  
INCLUDED



<b>Digital controls</b>	Time, temperature, humidity, 3 cooking cycles for each program, automatic pre-heating	<b>Features</b>
<b>Load capacity</b>	4 shelves for full size sheet pans	
<b>High speed reversing fans</b>	2 (3,200 rpm)	<ul style="list-style-type: none"><li>• Advanced airflow design</li><li>• Automatic high speed reversing fans</li><li>• Digital programmable controls / 99 programs / automatic pre-heating / 3 cooking cycles for each program</li><li>• Interior halogen light</li><li>• Includes electro valve for direct water connection</li><li>• Micro safety switch shuts oven off when door is open</li><li>• Heavy duty stainless steel body construction</li><li>• "Cold Door" design with double pane glass</li><li>• Reinforced door hinges</li><li>• Oven door can support weight limit of 80 lbs.</li><li>• Oven cavity is insulated with ultra-high temperature fiberglass insulation</li><li>• 4 Stainless steel wire shelves</li><li>• Ovens can be stacked (kit required)</li><li>• Warranty: 2 years parts &amp; 1 year labor exclusive of lights, gaskets and glass</li></ul>
<b>Space between shelves</b>	3.14" (80 mm)	
<b>Power requirements</b>	5,600 Watts / 208-240 V / 60 / 1 Oven supplied with power cord only no plug	
<b>Temperature</b>	86° - 500° F	
<b>Equipped with</b>	16 hour timer - Signal at end of cycle	
<b>Cavity size (inches)</b>	29.33"x19.29"x13.58" (WxDxH)	
<b>Unit dimensions (inches)</b>	33.5" x 30.2" x 25.9" (WxDxH)	
<b>Shipping dimensions (inches)</b>	35.44" x 31.10" x 29.53" (WxDxH)	
<b>Net / Ship weight</b>	126 lb / 154 lb	

## OVEN STANDS & PROOFERS



**AX-801 Oven Stand**  
SHIP WT: **54 lbs**

- HD stand with tray slides for full size sheet pans
- Dimensions: 33.47" x 24.40" x 31.50"
- Accommodates any "8" series ovens



**AX-PR8**  
SHIP WT: **233 lbs**



- Capacity: 8 full size sheet pans
- Space between pans: 3"
- 208-240/60/1, 2000 Watts
- Heat setting up to 140°F
- Manual fill water supply in bottom tray

## CONVECTION ACCESSORIES



**DEFLECTOR**  
CODE: **124-DEF**

- 2 are required for the "8" series
- Air deflector plate for delicate baking

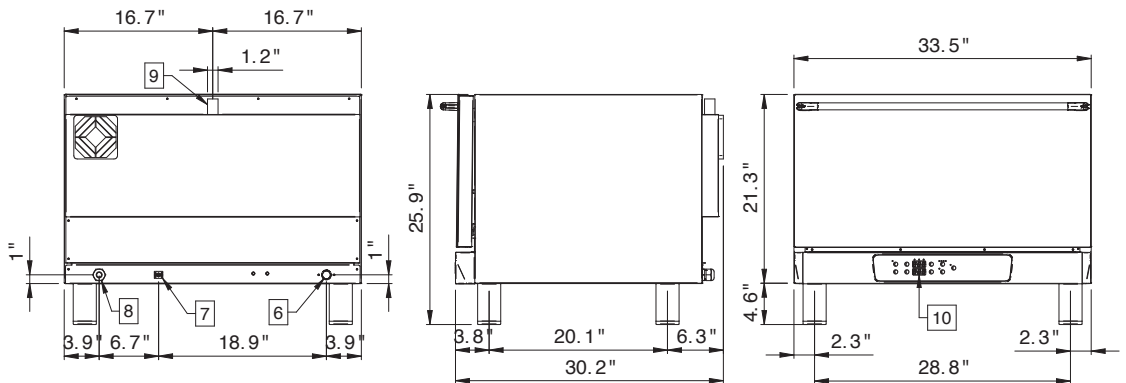


**STACKING KIT "8" SERIES**  
CODE: **124-KIT8**

- Stacking kit for "8" Series

## LINE DRAWINGS

AX-824RHD



514-737-9701 786-600-4687

TOLL FREE: 888-275-4538

TOLL FREE: 844-218-8477

5659 ROYALMOUNT AVE, MONTREAL, QC, CANADA H4P2P9  
12000 BISCAYNE BLVD, SUITE #108, MIAMI, FL, USA 33181

MVPGROUPCORP.COM SALES@MVPGROUPCORP.COM