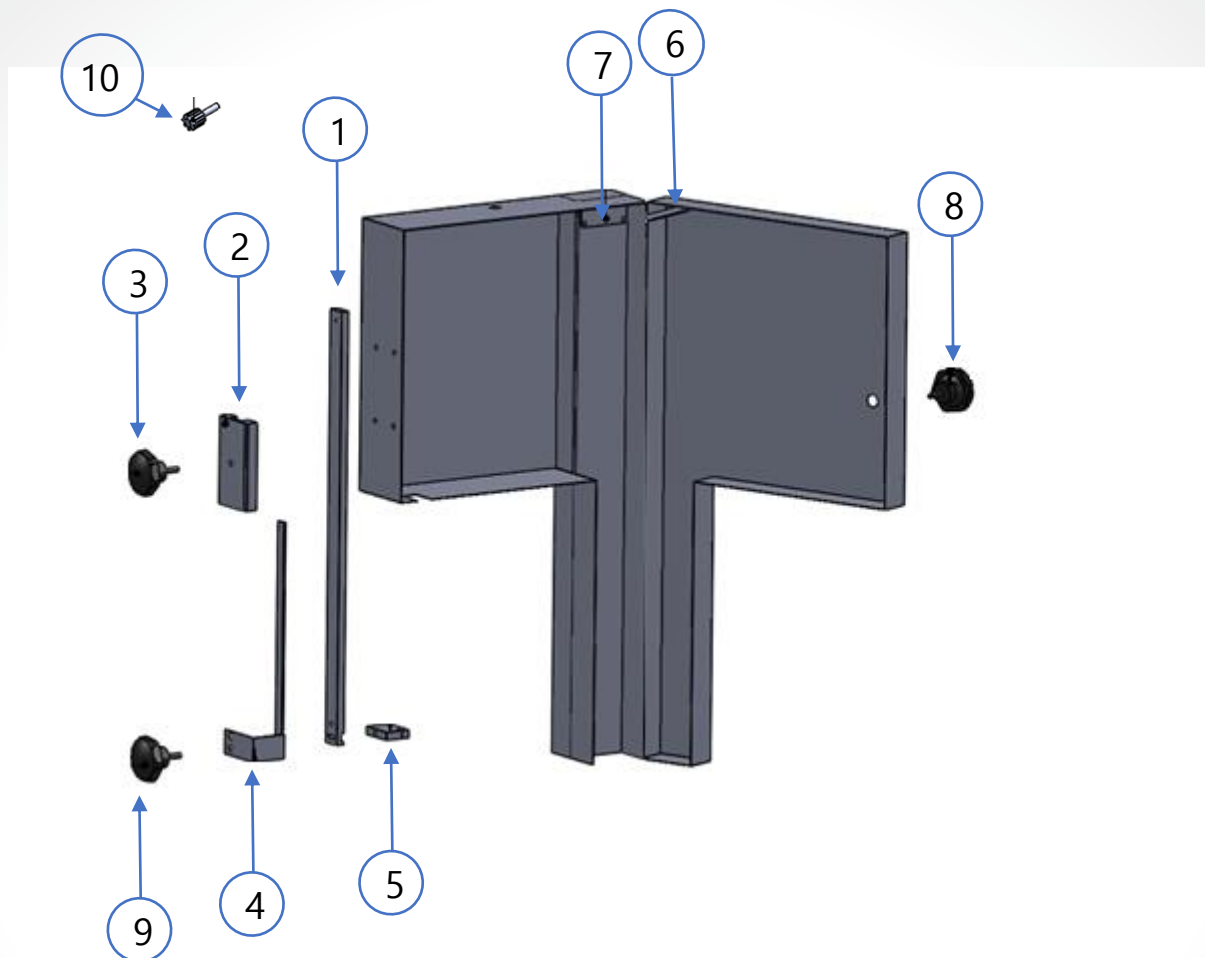


SPARE PARTS MANUAL

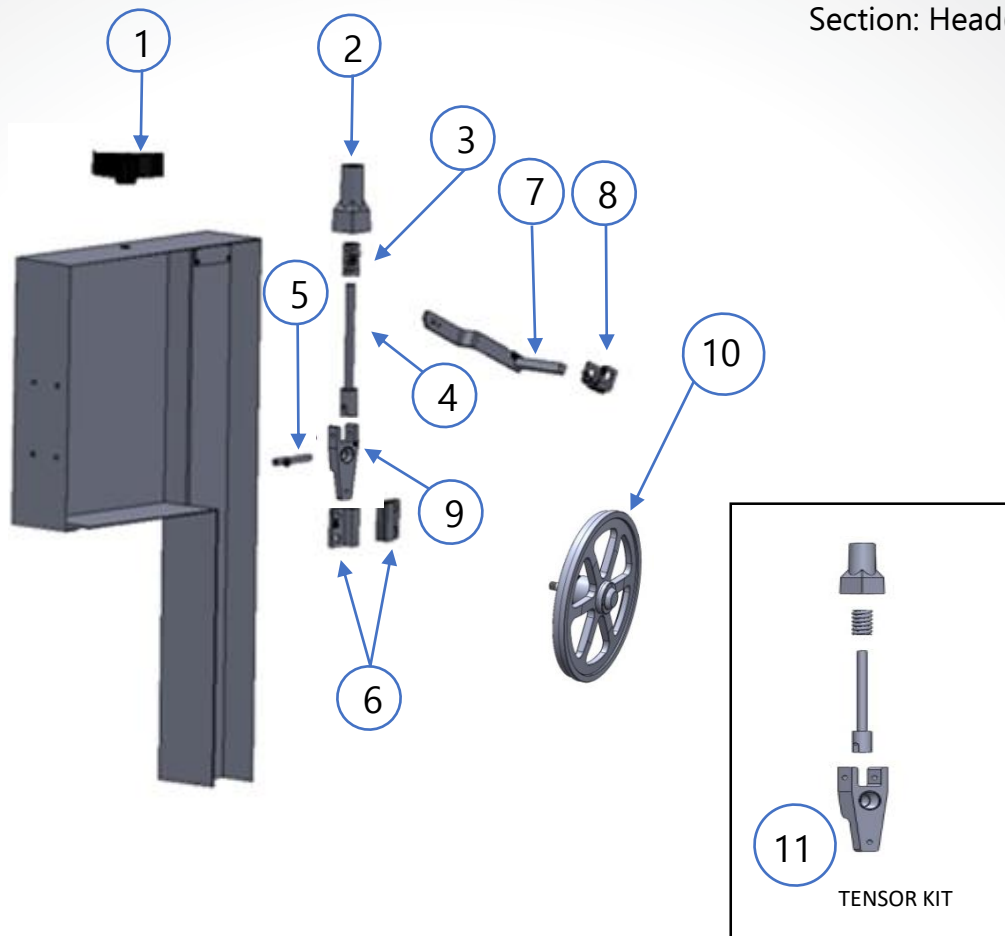
Page 01
KS-120
Section: Head



ITEM	CODE	DESCRIPTION
1	M571874	SLIDING BAR (305)
2	M571864	SLIDING BAR GUIDE KIT
3	M571295	UPPER KNOB FOR SLIDING BAR GUIDE
4	M570637	BLADE GUARD SJ295/355 KIT
5	M570835	UPPER SAW GUIDE S.S. (ST-295 AI,PE)
6	M575021	UPPER MAGNET (ST- 295 AI)
7	M575022	SUPERIOR MAGNETIC SENSOR (UPPER)
8	M571867	DOOR KNOB KIT
9	M571606	KNOB (AI\PE - 200, 295)
10	M530779	LIMIT KNOB

SPARE PARTS MANUAL

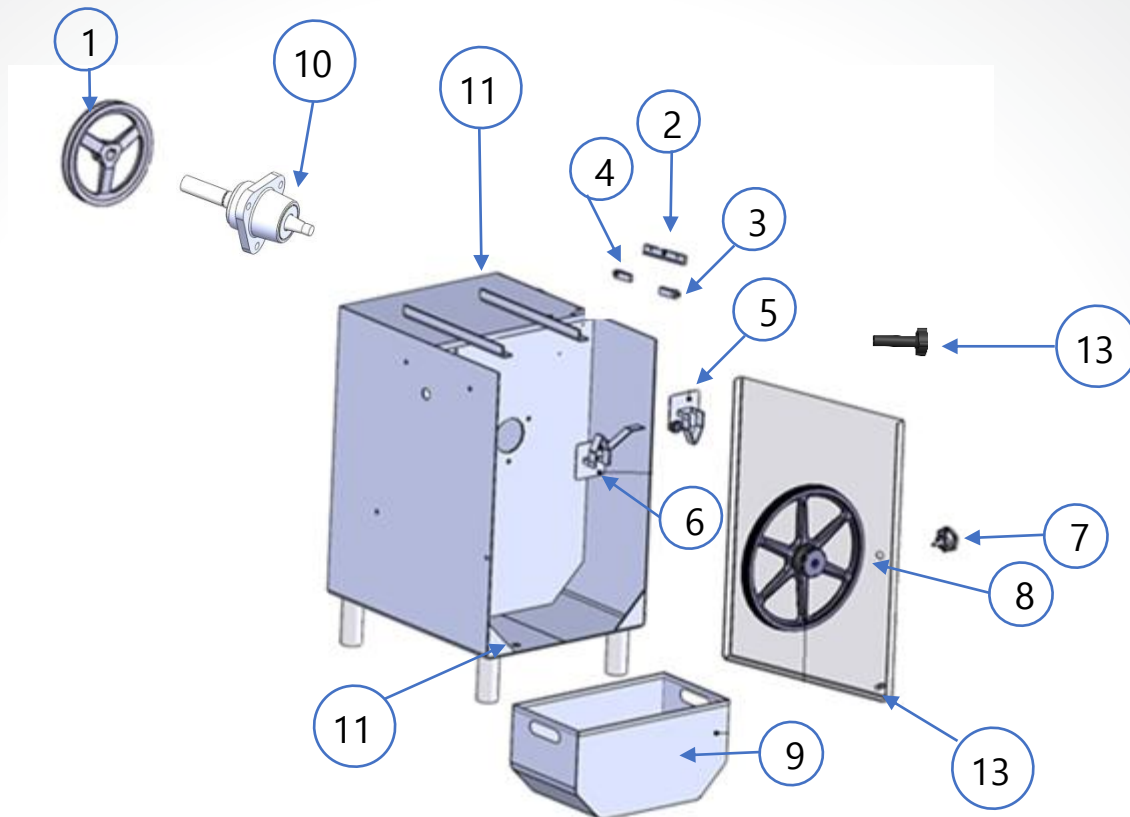
Page 02
KS-120
Section: Head(2)



ITEM	CODE	DESCRIPTION
1	M571869	TENSION HANDLE KIT (ST-295 AI,200AI)
2	M571534	TENSION GAUGE HOUSING
3	M500290	TENSION GAUGE SPRING (ST\SB\SJ-295, SJ-198\200, ST-355 Y ST-355 PE)
4	M571535	ROD & INDICATOR 1/2" S.S. (ST-295 AI,PE)
5	M570656	TENSION GAUGE PIN S.S. (ST-295 AI,PE)
6	M571536	UPPER WHEEL HANGER ST295AI
7	M571870	TENSION GUIDES KIT
8	M572679	UPPER WHEEL SCRAPER ARM S.S. KIT (ST-295 AI\ PE)
9	M572680	UPPER WHEEL SCRAPER (CLEANER) KIT (ST-295 AI\ PE)
10	M570996	14" UPPER PULLEY ASSY JR
11	M571551	TENSOR KIT

SPARE PARTS MANUAL

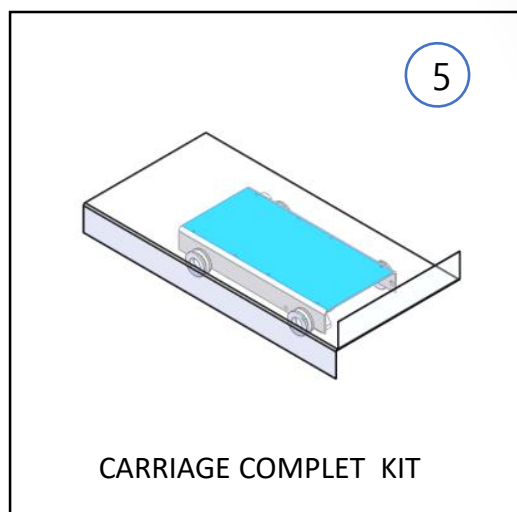
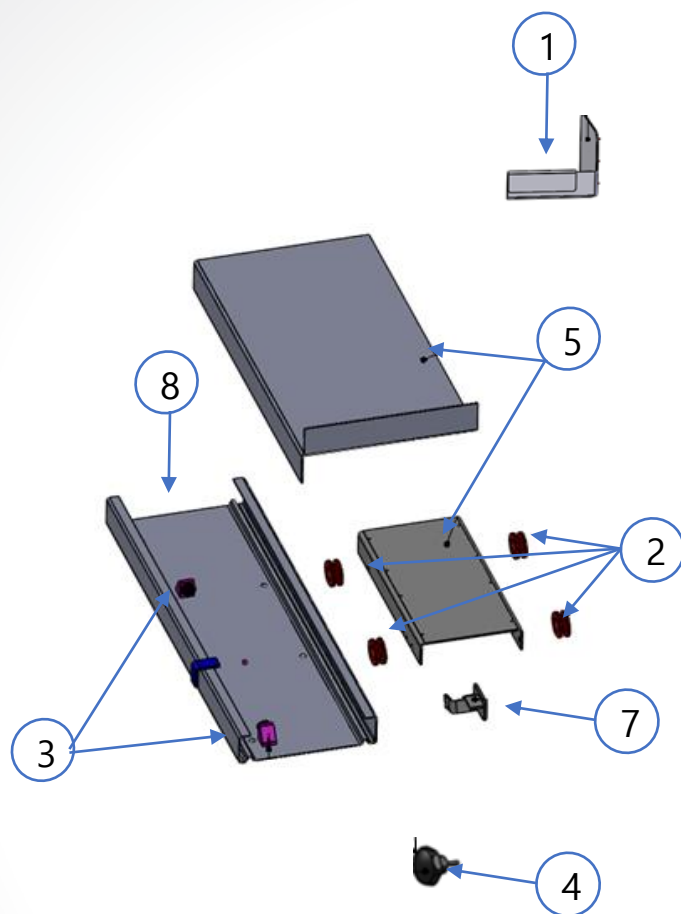
Page 03
KS-120
Section: Cabinet



ITEM	CODE	DESCRIPTION
1	M571876	PULLEY 8" KIT 60Hz (PE)
2	M571882	GUIDES BASE KIT FOR TENSOR
3	M570844	LOWER SAW GUIDE (S.S.)
4	M570140	FIBER GUIDE (ST\SJ\SB\AI\PE -295, SJ-198, Y ST-355)
5	M577383	RIGHTH CLEANER ASSY
6	M577382	LEFT CLEANER ASSY
7	M571881	LEFT DOOR CABINET KBOB FOR ST-295
8	M571109	LOWER WHEEL 14" (ST-295 AI)
9	M576713	SCRAP TRAY (305)
10	M570995	LOWER MAIN BEAR. HOUS. ASSY. INCL ITEMS 8 TO 12(ST\SJ\SB\PE-295)
11	M575023	LOWER MAGNETIC SENSOR (ST- 295 AI)
12	M577098	LOWER MAGNET FOR 305SH
13	M572830	KNOB FOR SCRAPER WITH NUT

SPARE PARTS MANUAL

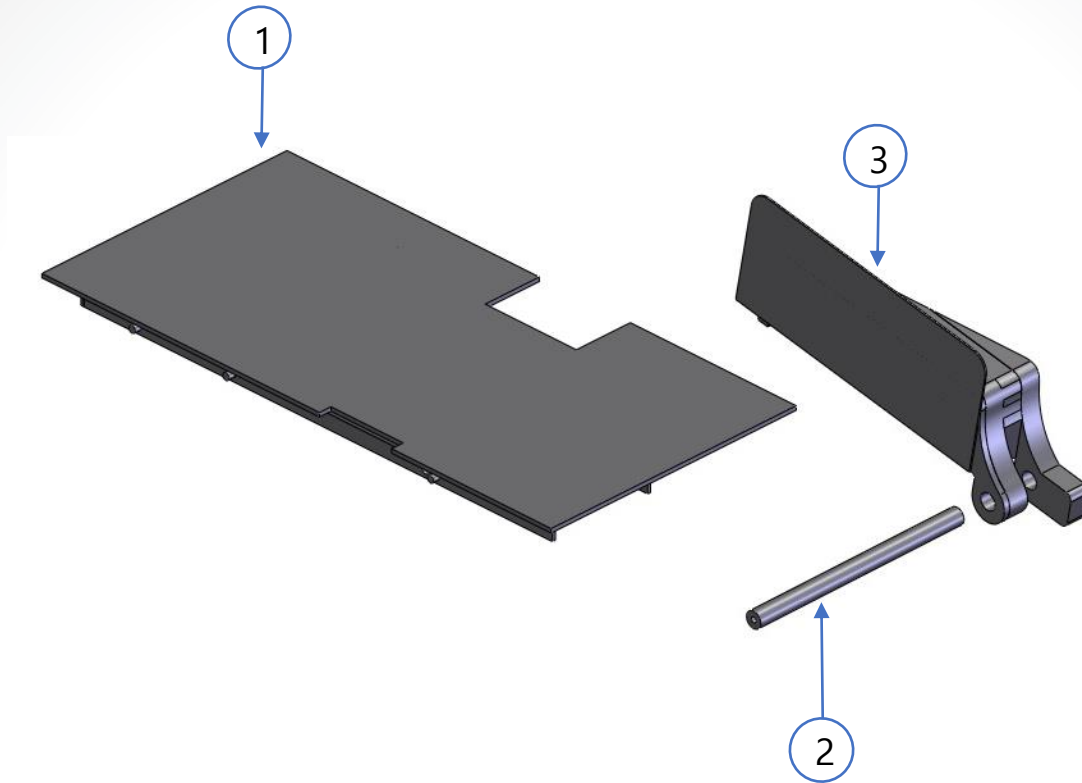
Page 04
KS-120
Section: Carriage



ITEM	CODE	DESCRIPTION
1	M571618	PUSHER (AI\PE -295, AI\PE-200)
2	M574465	S.S. WHEEL ASSY. 295AI,PE,355AI,PE (REF 02)
3	M572683	CARRIAGE STOP BLOCK (FRONT) KIT (AI\PE -295)
4	M571093	KNOB FOR CARRIER
5	M570970	STAMPING TABLE CARRIAGE ST295
6	M573161	SLIDING CARRIAGE TYPE "V" KIT
7	M571090	MOVIL STOPPER FOR ST355AI CARRIAGE
8	M573117	"V" CARRIAGE GUIDE ASSY ST295AI.

SPARE PARTS MANUAL

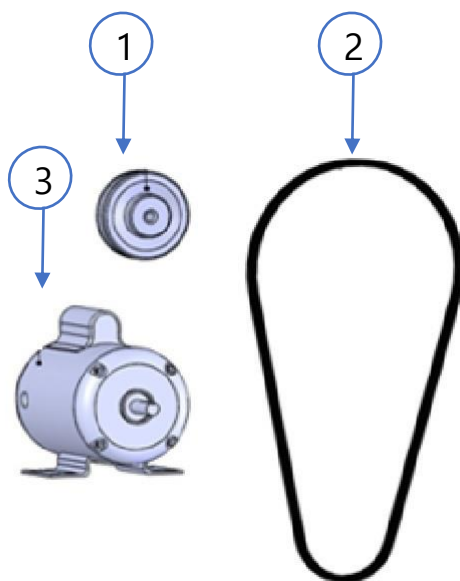
Page 05
KS-120
Section: Table System



ITEM	CODE	DESCRIPTION
1	M571077	TABLE ASSY.
2	M573299	BAR KIT (295, 305)
3	M572226	GAUGE PLATE ASSY.

SPARE PARTS MANUAL

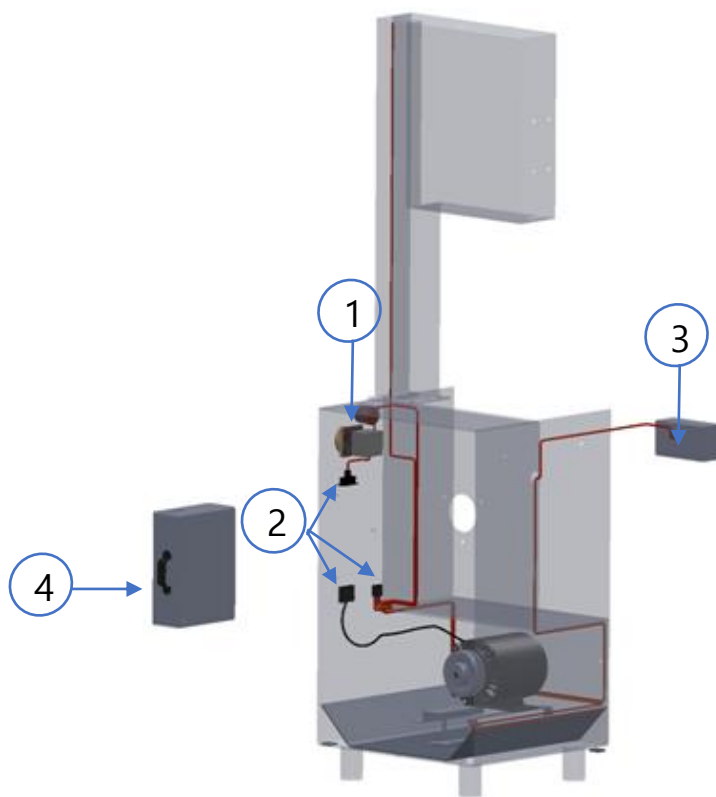
Page 06
KS-120
Section: Table System



ITEM	CODE	DESCRIPTION
1	M571885	PULLEY 4" KIT (SHAFT 7/8") (S.S.)
2	M506858	TOOTHED BELT 17425
3	M506747	MOTOR 3HP, T, 220/440, 2P, 50/60, B, LINCOLN

SPARE PARTS MANUAL

Page 07
KS-120
Section: Eelctric System



ITEM	CODE	DESCRIPTION
1	M572026	GENERAL SWITCH COMPLETE FOR 3 PHASES (ST- 295 AI)
2	M550036	3 PHASE HARNESS KIT FOR MEAT SAW
3	M502135	PUSH BUTTON BOX KIT
4	M573357	ELECTRICAL CONTROL BOX 3 PHASE 220V, 50/60Hz