

# FLAVOR MACHINE<sup>®</sup>



MODEL FM 24

**MANUFACTURE BIG PROFITS  
WITH THE FLAVOR MACHINE<sup>®</sup>**

## **Yogurt and Ice Cream Machine**

Cash in on the booming designer frozen dessert business with the FLAVOR MACHINE<sup>®</sup>. Offer your customers a totally unique concept *..An unlimited choice of Natural Flavors!!*

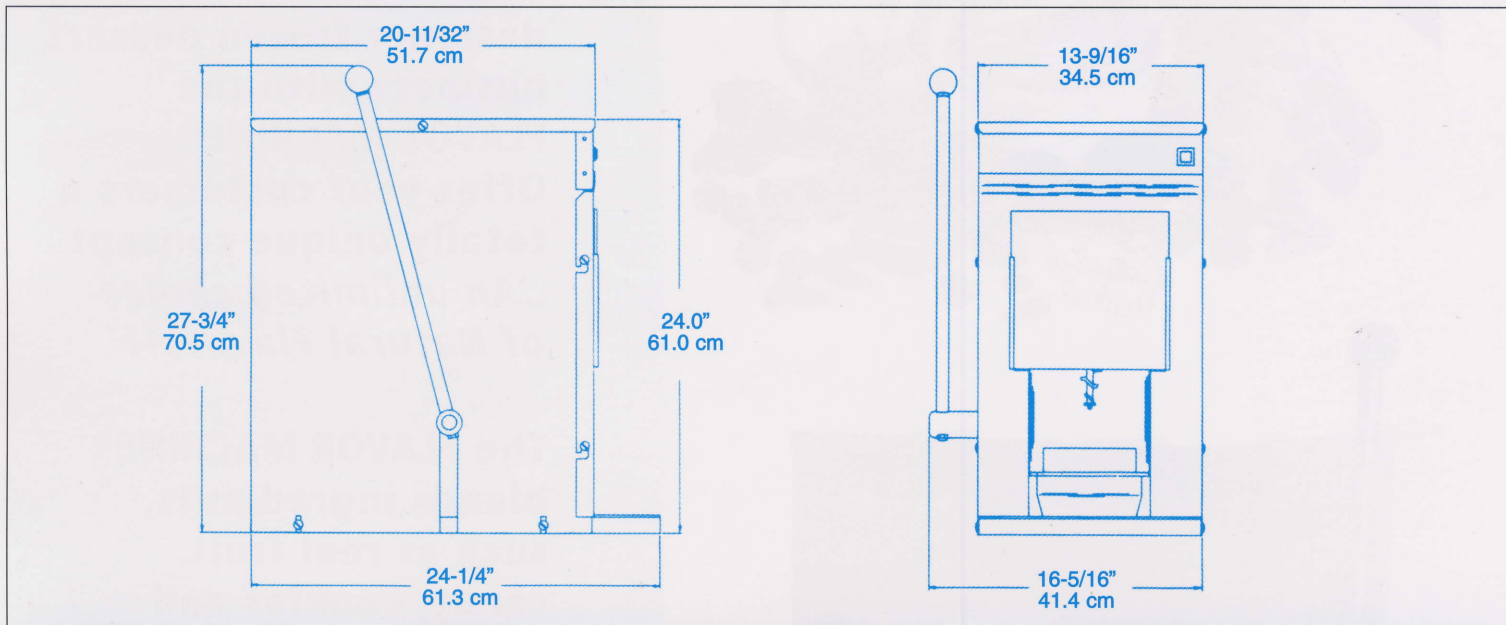
The FLAVOR MACHINE<sup>®</sup> blends ingredients, such as real fruit, candy, cookies and nuts, with frozen yogurt or ice cream. The finished dessert is a natural, fresh new flavor, specially created for your customer in just seconds.

Earn big profits at a fraction of the usual start-up cost with the FLAVOR MACHINE<sup>®</sup>





## YOGURT AND ICE CREAM MACHINE



### SPECIFICATIONS MODELS FM 24

ELECTRICAL - 115 VOLT, 60 HZ, 15 AMP  
 DRIVE MOTOR - 1HP., HEAVY DUTY BALL BEARING

CABINET - STAINLESS STEEL  
 OPERATING MECHANISM - STAINLESS STEEL AND HEAVY DUTY ALUMINUM

AUGER ASSEMBLY - STAINLESS STEEL RINSE SWITCH (STANDARD) - INCLUDES STAINLESS STEEL SINK

MODEL	UNIT WT..	CARTONED WT.	HEIGHT
FM 24	123 lbs. (56 kg.)	155 lbs. (70.5 kg.)	24" (51 cm.)

**FLAVOR MACHINE®**

AVAILABLE FROM